



US00D595631S

(12) **United States Design Patent**
Musser

(10) **Patent No.:** **US D595,631 S**
(45) **Date of Patent:** **** Jul. 7, 2009**

(54) **VEHICLE WHEEL**

(75) Inventor: **Scott Musser**, Chino Hills, CA (US)

(73) Assignee: **Prestige Autotech Corporation**, Chino, CA (US)

(**) Term: **14 Years**

(21) Appl. No.: **29/317,350**

(22) Filed: **Apr. 28, 2008**

(51) **LOC (9) Cl.** **12-16**

(52) **U.S. Cl.** **D12/211**

(58) **Field of Classification Search** D12/204-213;
301/37.101, 64.101, 65

See application file for complete search history.

(56) **References Cited**

U.S. PATENT DOCUMENTS

D413,851 S *	9/1999	Donikoglu	D12/209
D482,308 S *	11/2003	Lee	D12/211
D503,915 S *	4/2005	Markefka	D12/209
D515,003 S *	2/2006	Echazabal	D12/211
D516,979 S *	3/2006	Muzzarelli	D12/209
D521,435 S *	5/2006	Fitzgerald	D12/209
D529,426 S *	10/2006	Metros et al.	D12/209

D532,733 S *	11/2006	Hieke	D12/209
D535,240 S *	1/2007	Chang	D12/211
D535,933 S *	1/2007	Markefka	D12/209
D544,823 S *	6/2007	Hieke	D12/211
D553,550 S *	10/2007	Tirado	D12/211
D586,281 S *	2/2009	Pfeiffer	D12/209
D587,178 S *	2/2009	Pfeiffer	D12/209

* cited by examiner

Primary Examiner—Elizabeth A Albert

Assistant Examiner—Kelley A Donnelly

(74) *Attorney, Agent, or Firm*—Fulwider Patton LLP

(57) **CLAIM**

The ornamental design for the “vehicle wheel,” as shown and described.

DESCRIPTION

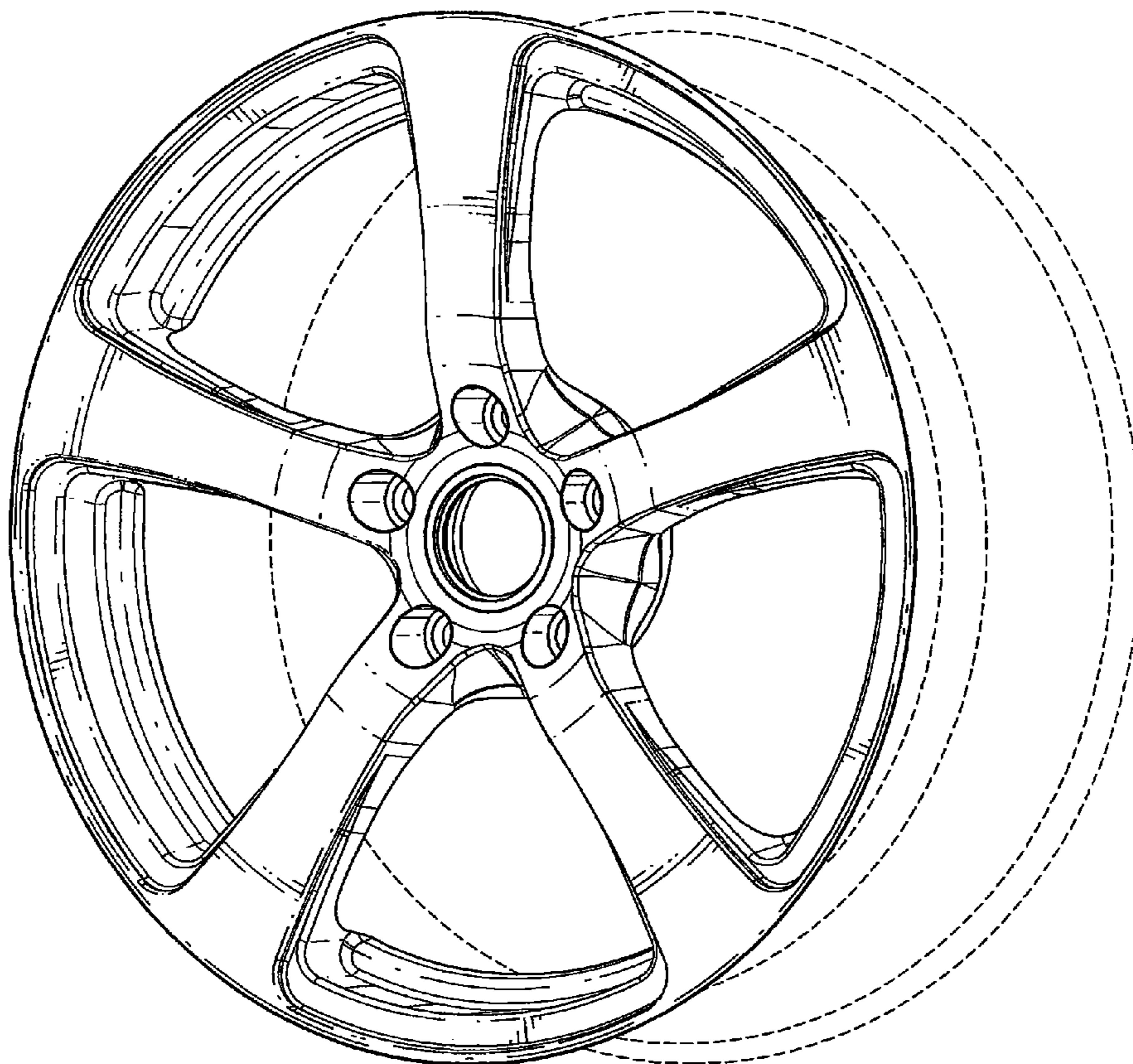
FIG. 1 is a perspective view of the vehicle wheel showing my new design;

FIG. 2 is a front elevational view thereof; and,

FIG. 3 is a cross-sectional view taken along the lines of 3—3 of FIG. 2.

The broken lines in FIGS. 1 and 3 are for environmental purposes only and form no part of the claimed design.

1 Claim, 3 Drawing Sheets



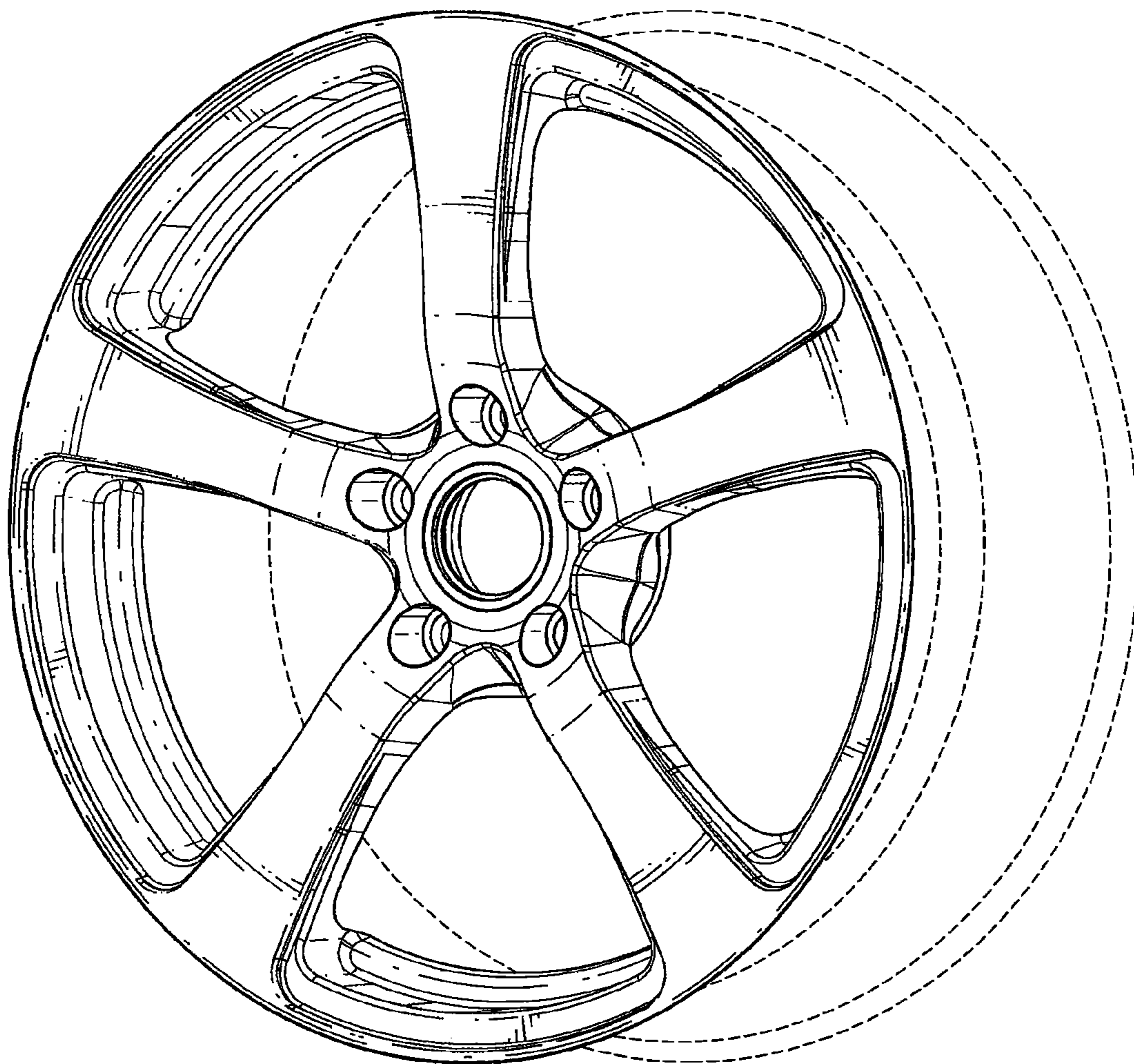


FIG. 1

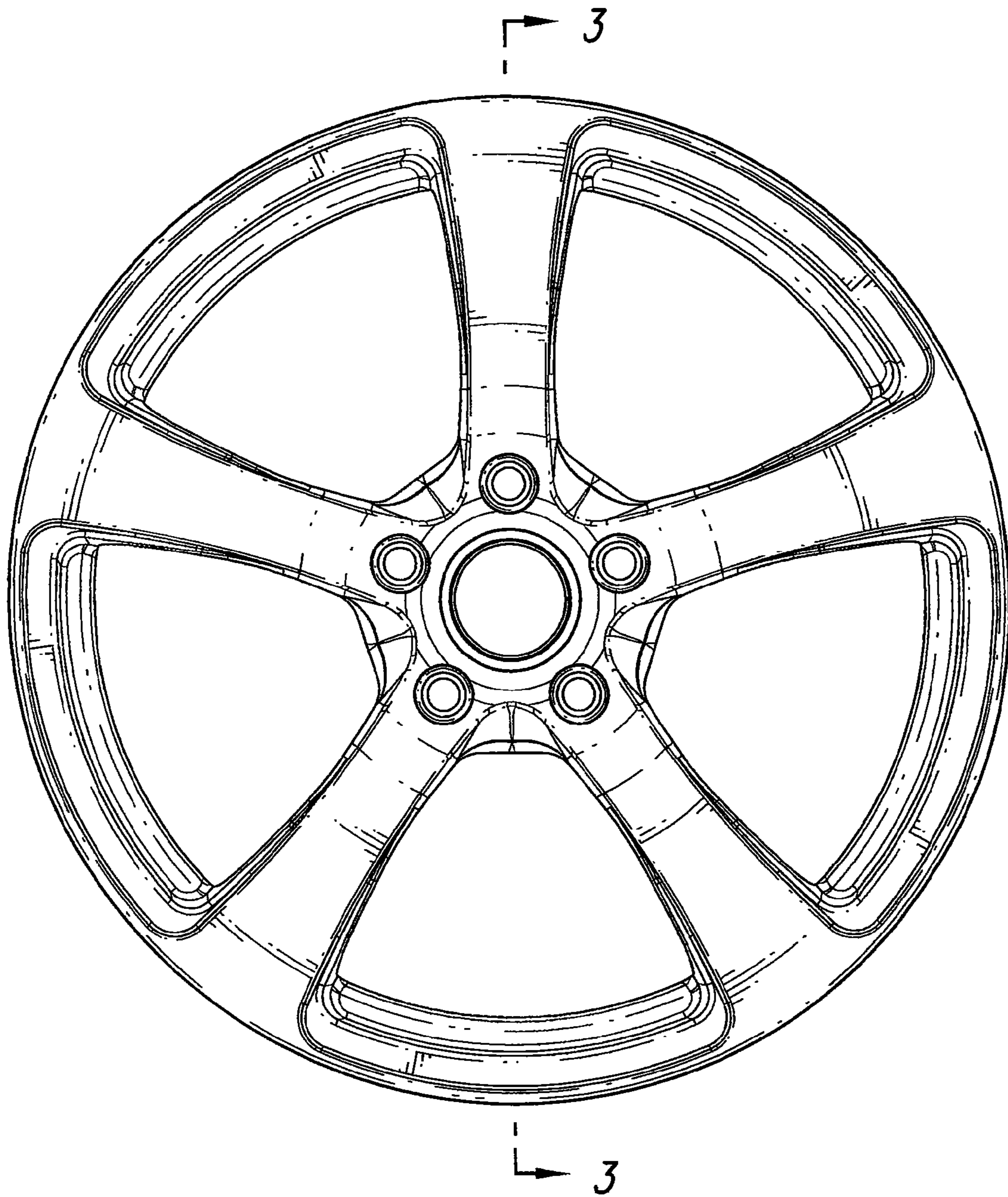


FIG. 2

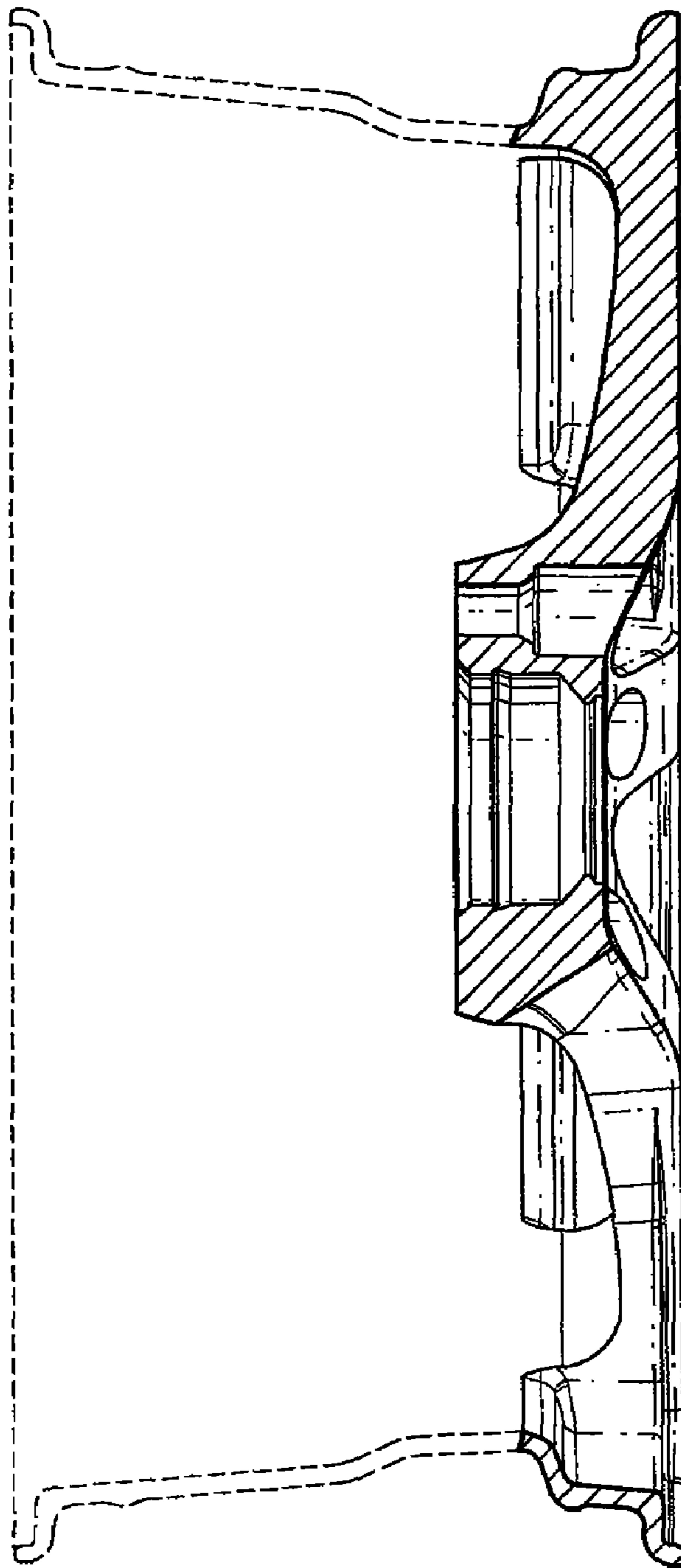


FIG. 3