

US00D595630S

(12) **United States Design Patent**
McPherson et al.

(10) **Patent No.:** **US D595,630 S**
(45) **Date of Patent:** **** Jul. 7, 2009**

(54) **FENDER STEP FOR TRAILER**
(75) Inventors: **Gary M. McPherson**, Wrightstown, PA
(US); **Keith A. Field**, Levittown, PA
(US)

(73) Assignee: **Load Rite Trailers, Inc.**, Fairless Hills,
PA (US)

(**) Term: **14 Years**

(21) Appl. No.: **29/297,710**

(22) Filed: **Nov. 16, 2007**

(51) **LOC (9) Cl.** **12-16**

(52) **U.S. Cl.** **D12/203**

(58) **Field of Classification Search** D12/106,
D12/102, 203; D25/126-129, 136, 123,
D25/62, 69; 280/163, 164.1, 166, 169, 607,
280/164.2, 165; 52/846, 630; 220/1.5
See application file for complete search history.

(56) **References Cited**

U.S. PATENT DOCUMENTS

- D233,663 S * 11/1974 Facer D25/126
- 3,941,276 A 3/1976 Patel
- 4,092,808 A 6/1978 Maloney, Jr. et al.
- D258,839 S * 4/1981 Broyles D25/69
- 5,398,464 A 3/1995 Jacobs
- D371,336 S 7/1996 Wilson
- 5,845,435 A 12/1998 Knudson
- D410,612 S 6/1999 Payne
- D414,881 S * 10/1999 Giese D25/123
- D456,747 S 5/2002 Louie
- D463,345 S 9/2002 Cipolla
- D470,598 S * 2/2003 Schneider et al. D25/38
- D499,049 S 11/2004 Stinson

- D511,319 S 11/2005 Wang
- 6,993,870 B2 2/2006 McDonald et al.
- D518,758 S 4/2006 Reese et al.
- D519,430 S * 4/2006 Moody D12/203
- D520,429 S 5/2006 Woodard
- D527,323 S 8/2006 Storer
- D537,399 S 2/2007 Riddle
- 7,278,239 B1 10/2007 West
- D567,729 S * 4/2008 Crandall D12/203
- 2007/0246449 A1 10/2007 Bachman
- 2008/0018074 A1 * 1/2008 Steffens et al. 280/163

* cited by examiner

Primary Examiner—Caron Veynar
Assistant Examiner—George D Kirschbaum
(74) *Attorney, Agent, or Firm*—Paul & Paul

(57) **CLAIM**

We claim, the ornamental design for a fender step for trailer,
as shown and described.

DESCRIPTION

FIG. 1 is a perspective view of the fender step for trailer
showing our new design;

FIG. 2 is a second perspective view thereof;

FIG. 3 is a top plan view thereof;

FIG. 4 is a bottom plan view thereof;

FIG. 5 is a left side view thereof;

FIG. 6 is a right side view thereof;

FIG. 7 is an end view thereof; and,

FIG. 8 is an end view thereof.

In FIG. 2, the broken line showing of an end cap depicts
environmental subject matter and forms no part of the claim.

1 Claim, 2 Drawing Sheets

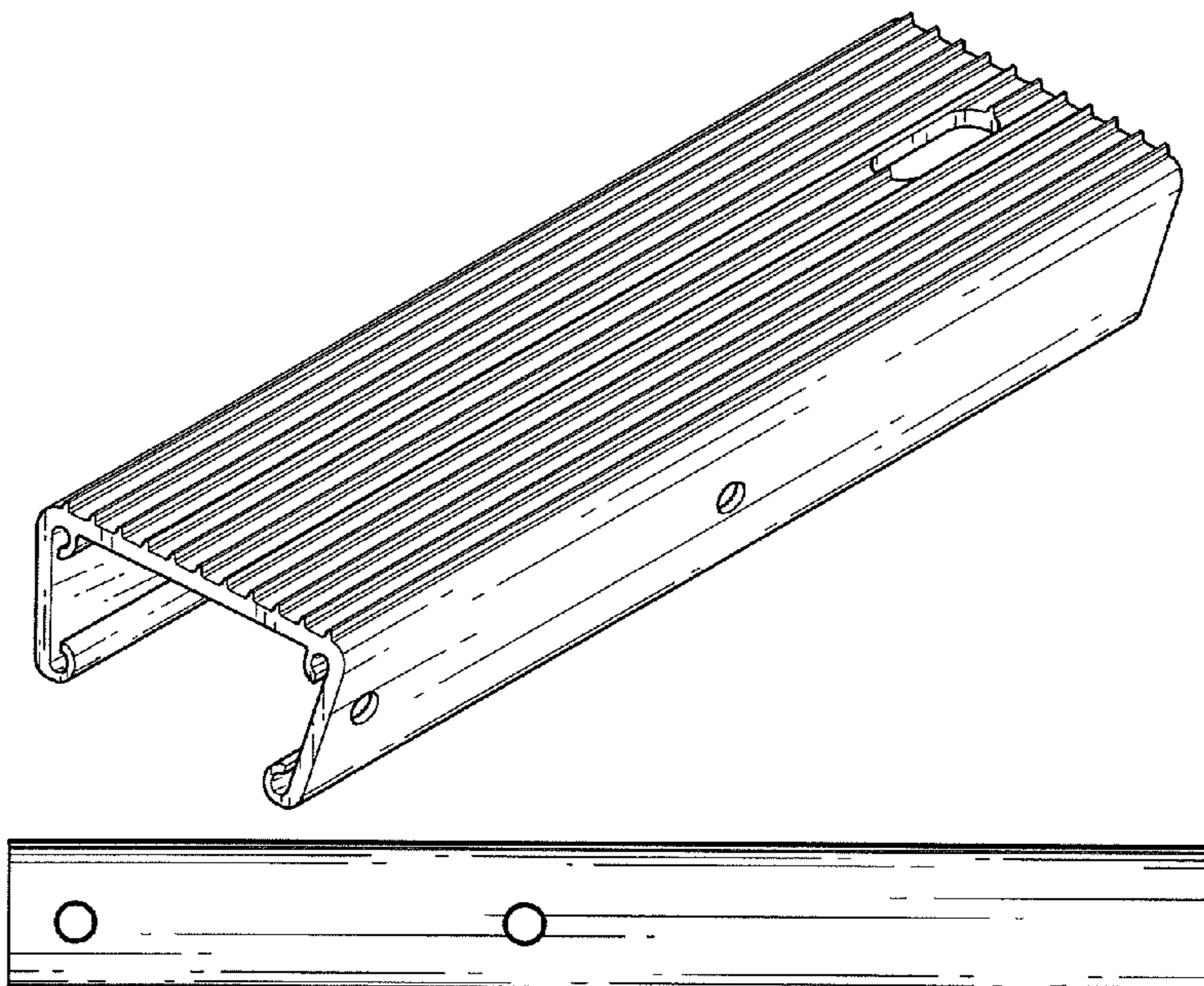


FIG. 1

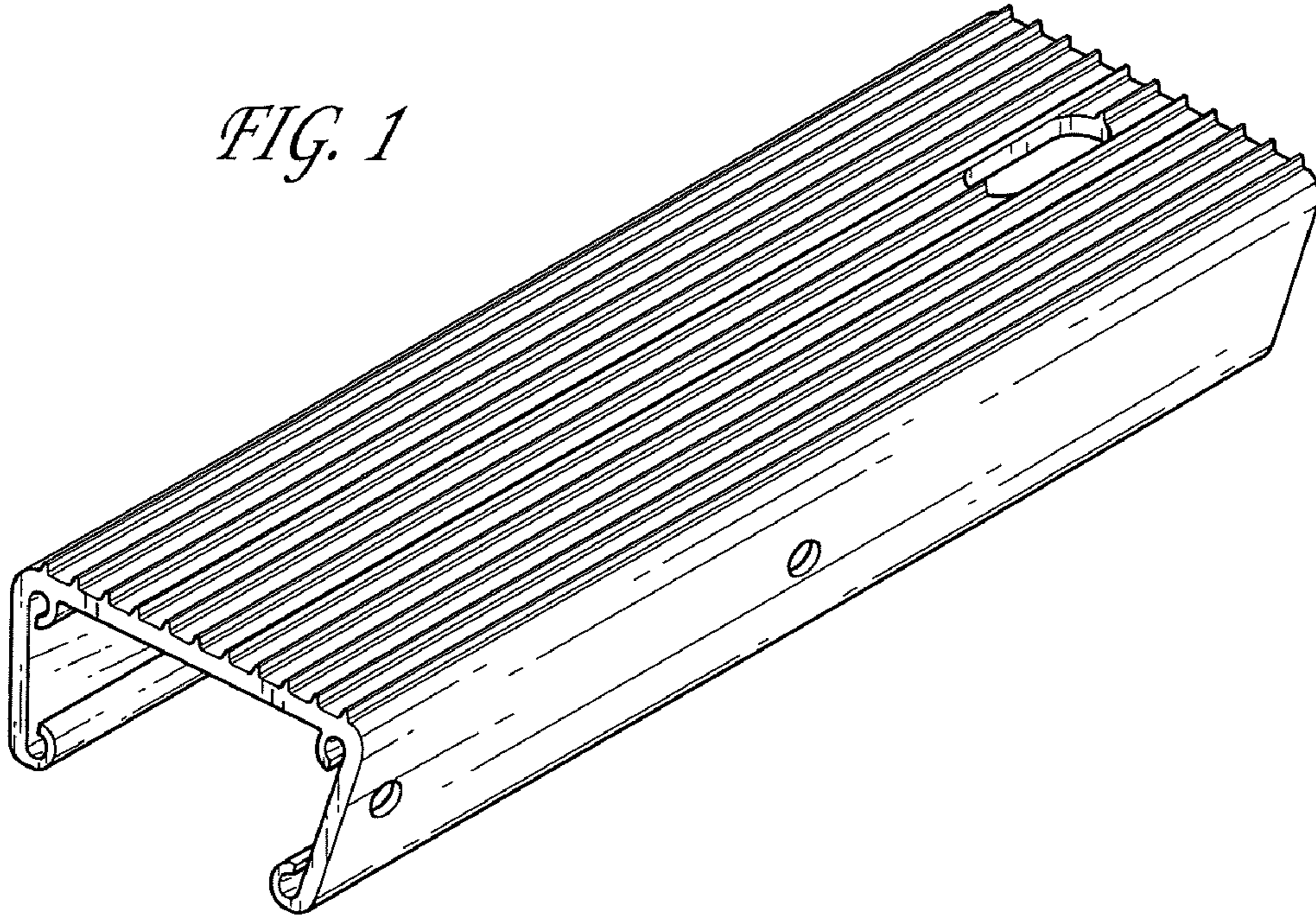
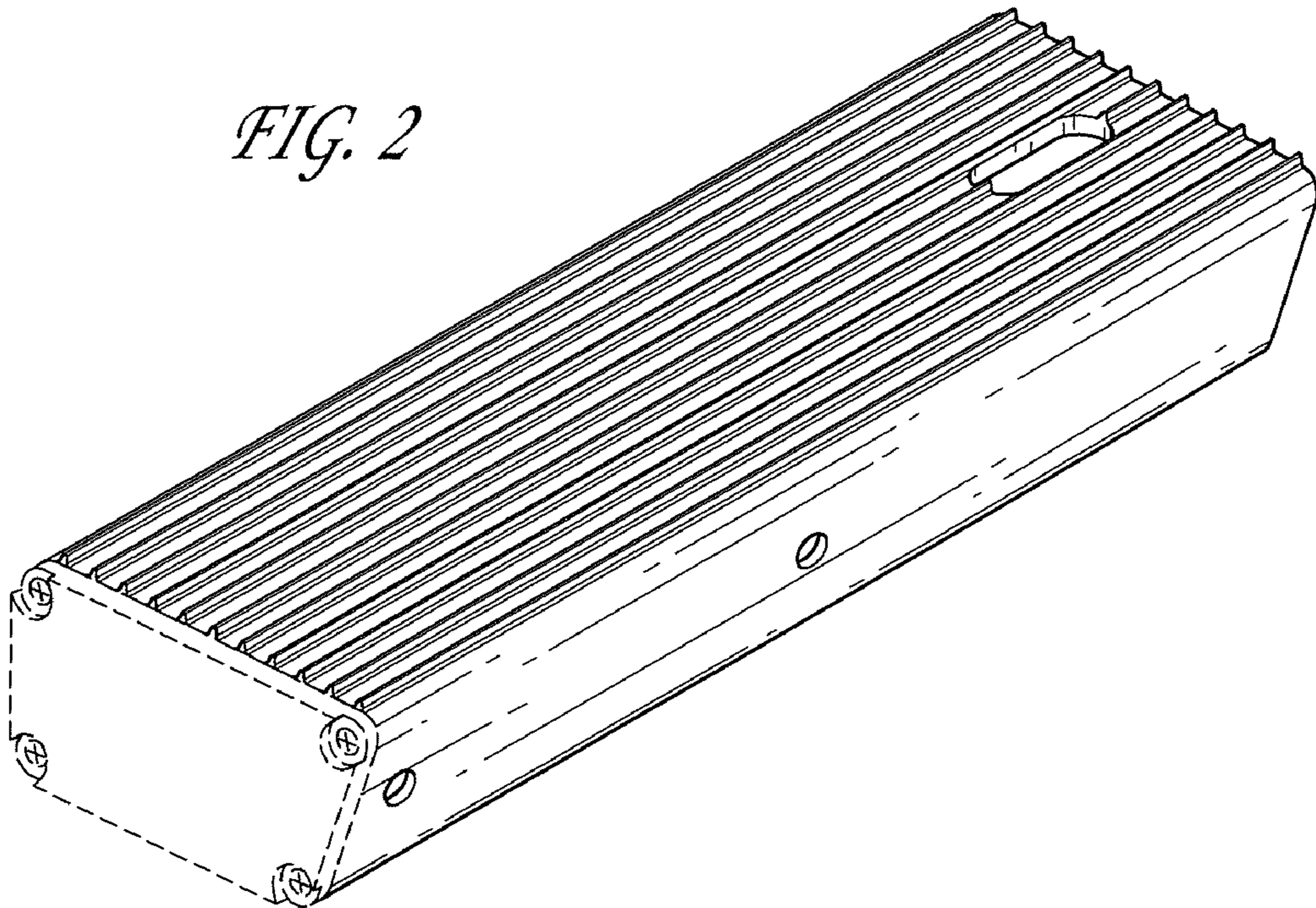


FIG. 2



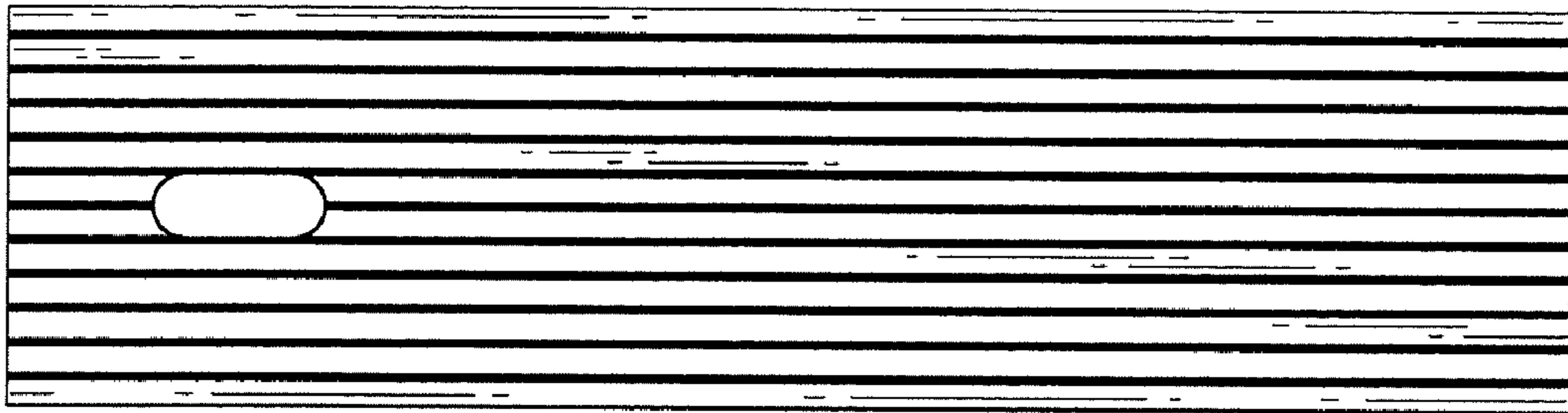


FIG. 3

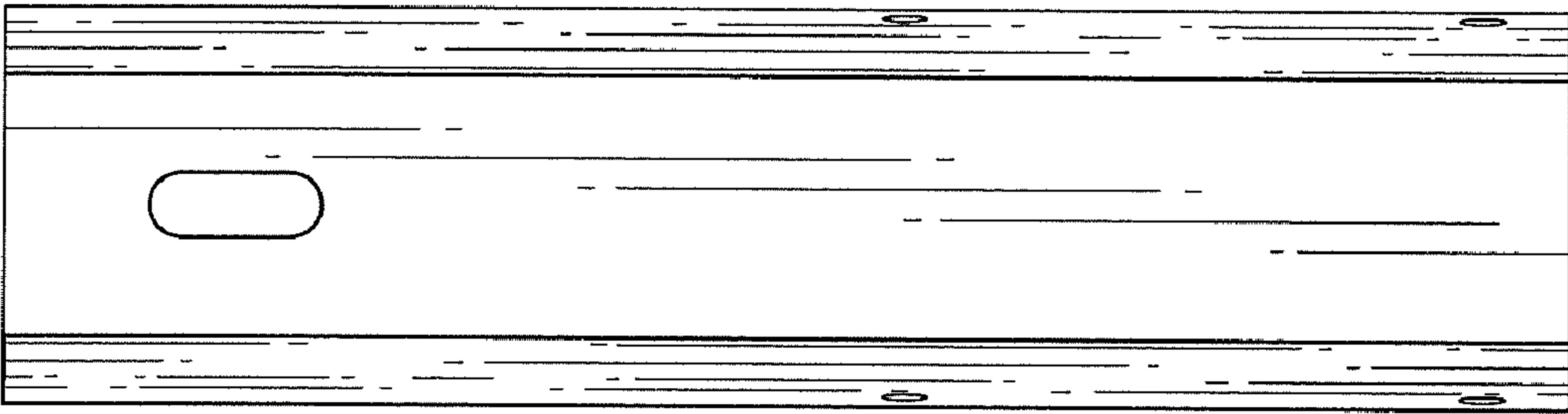


FIG. 4

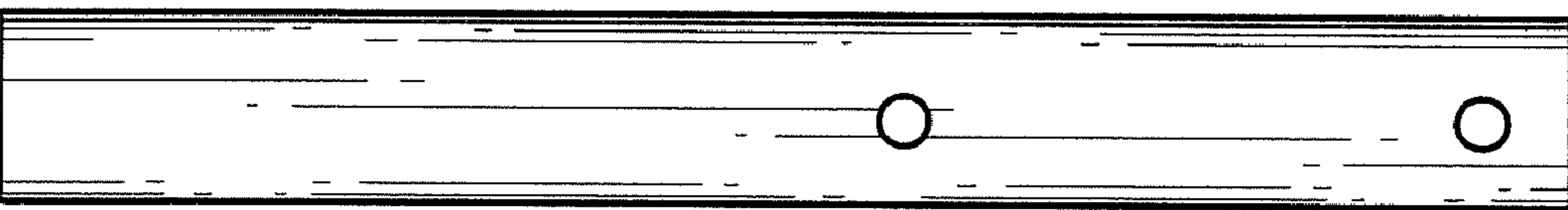


FIG. 5

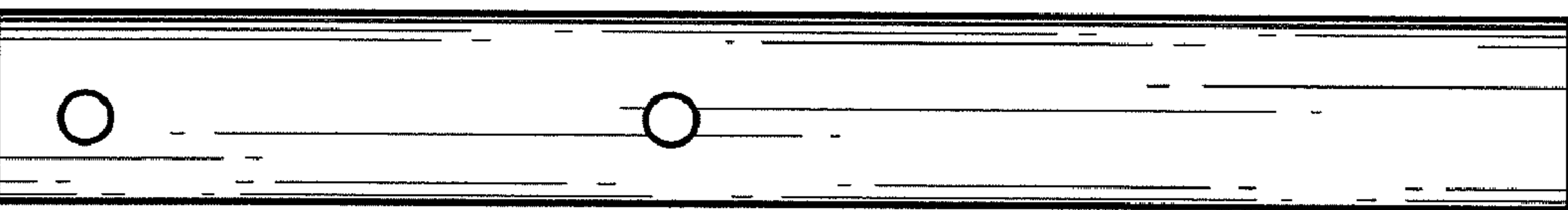


FIG. 6

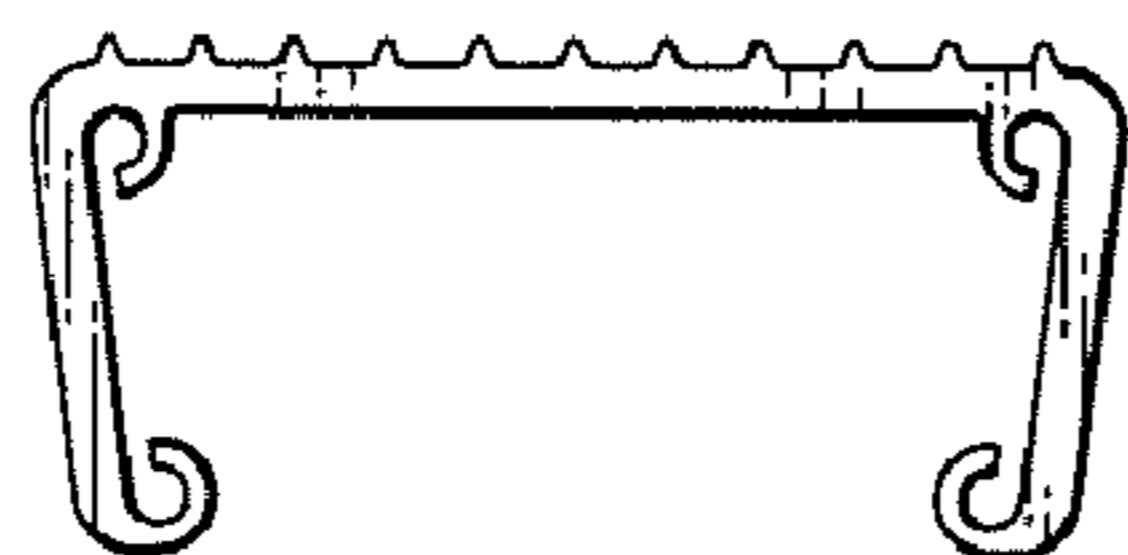


FIG. 7

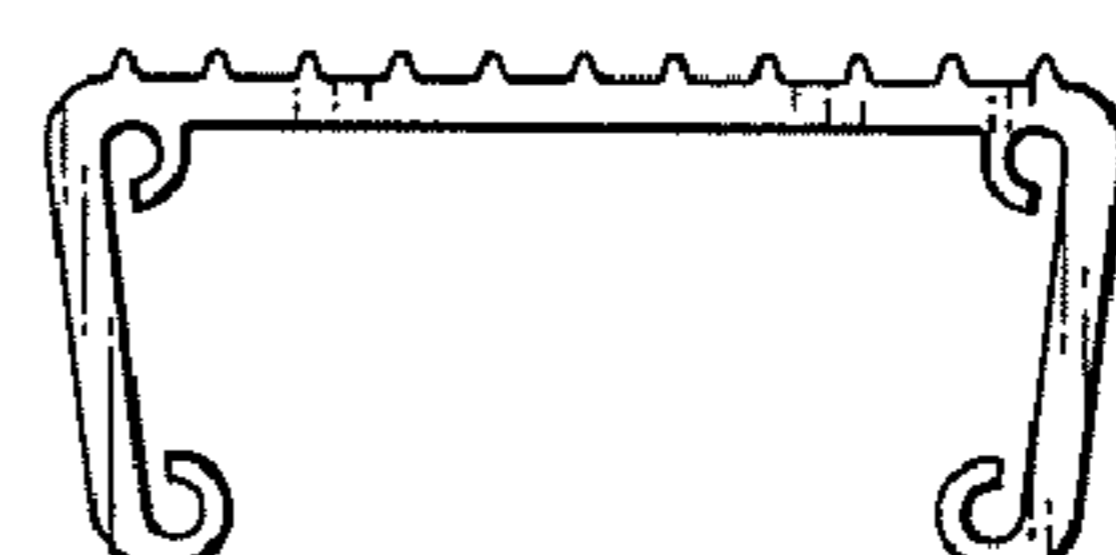


FIG. 8

UNITED STATES PATENT AND TRADEMARK OFFICE
CERTIFICATE OF CORRECTION

PATENT NO. : Des. 595,630 S
APPLICATION NO. : 29/297710
DATED : July 7, 2009
INVENTOR(S) : Gary M. McPherson et al.

Page 1 of 1

It is certified that error appears in the above-identified patent and that said Letters Patent is hereby corrected as shown below:

Cover Page:

In the Description, replace "Fig. 8 is an end view thereof." with -- Fig. 8 is an opposite end view thereof. --.

Signed and Sealed this

Eighteenth Day of August, 2009



David J. Kappos
Director of the United States Patent and Trademark Office