

US00D595623S

(12) **United States Design Patent**
Wagner et al.

(10) **Patent No.:** **US D595,623 S**

(45) **Date of Patent:** **** Jul. 7, 2009**

(54) **VEHICLE FRONT BUMPER**

(75) Inventors: **Lance R. Wagner**, Lake Orion, MI
(US); **Mark C. Trostle**, Clarkston, MI
(US); **Ryan C. Nagode**, West
Bloomfield, MI (US)

(73) Assignee: **Chrysler LLC**, Auburn Hills, MI (US)

(**) Term: **14 Years**

(21) Appl. No.: **29/323,448**

(22) Filed: **Aug. 26, 2008**

Related U.S. Application Data

(63) Continuation-in-part of application No. 29/302,967,
filed on Jan. 29, 2008, now Pat. No. Des. 586,697.

(51) **LOC (9) Cl.** **12-16**

(52) **U.S. Cl.** **D12/169**

(58) **Field of Classification Search** D12/169,
D12/196, 171, 163, 216, 90-92, 86; 293/102,
293/113, 115, 117, 120; 296/180.1, 180.2
See application file for complete search history.

(56) **References Cited**

U.S. PATENT DOCUMENTS

D447,983 S 9/2001 Stoddard et al.
D466,051 S 11/2002 Stoddard et al.
D466,052 S 11/2002 Stoddard et al.
D516,956 S 3/2006 Bucci et al.

D526,935 S 8/2006 Wagner et al.
D550,594 S * 9/2007 Pfeiffer D12/169
D553,049 S 10/2007 Opfer et al.
D578,451 S * 10/2008 Jodo et al. D12/169
D580,832 S * 11/2008 Ebel et al. D12/169
D583,724 S * 12/2008 Schiavone et al. D12/169
D586,269 S * 2/2009 Suga et al. D12/169

* cited by examiner

Primary Examiner—Melody N Brown

(74) *Attorney, Agent, or Firm*—Ralph E. Smith

(57) **CLAIM**

The ornamental design for a vehicle front bumper, as shown
and described.

DESCRIPTION

FIG. 1 is a front perspective view of a vehicle front bumper
showing our new design;

FIG. 2 is a front view thereof;

FIG. 3 is a rear view thereof,

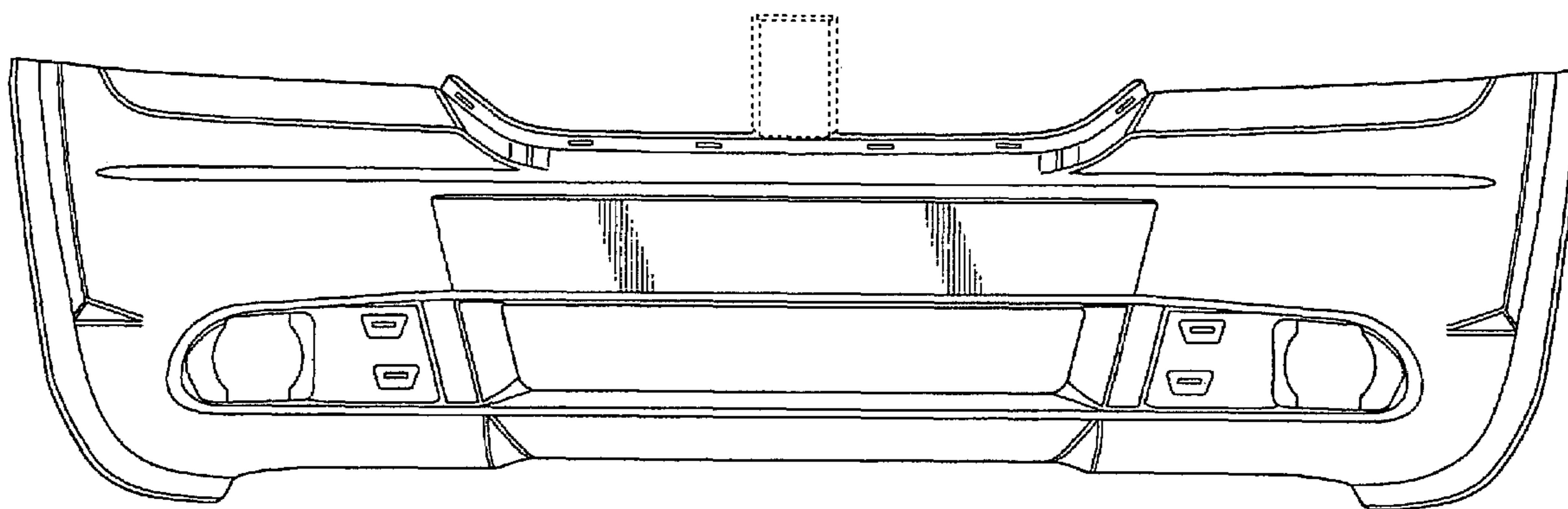
FIG. 4 is a side view thereof, the opposite side being a mirror
image thereof;

FIG. 5 is a top view thereof; and,

FIG. 6 is a bottom view thereof.

It will be understood that the broken lines presented in the
drawings are for illustration only, and do not form a part of the
claimed design.

1 Claim, 6 Drawing Sheets



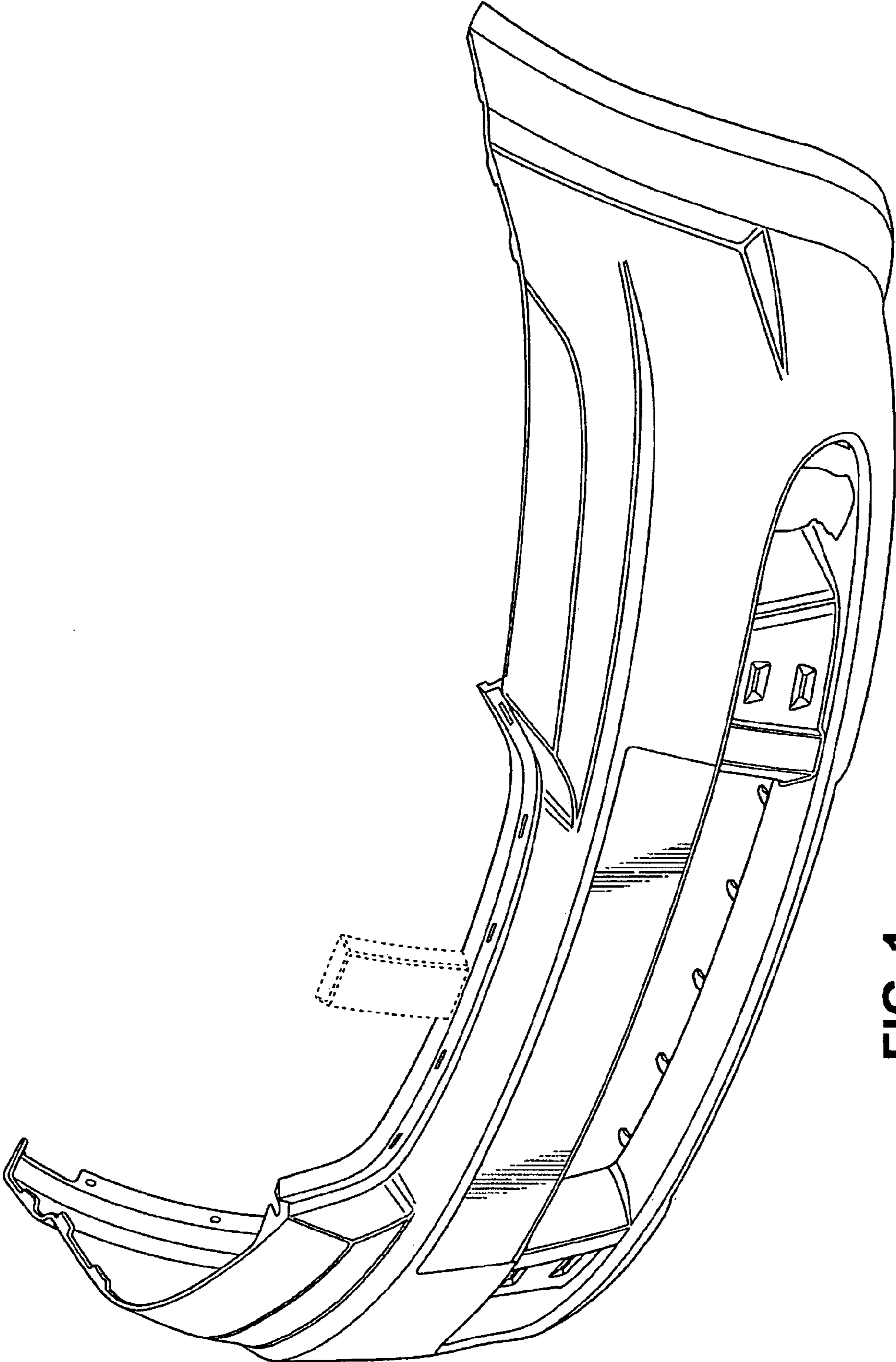


FIG. 1

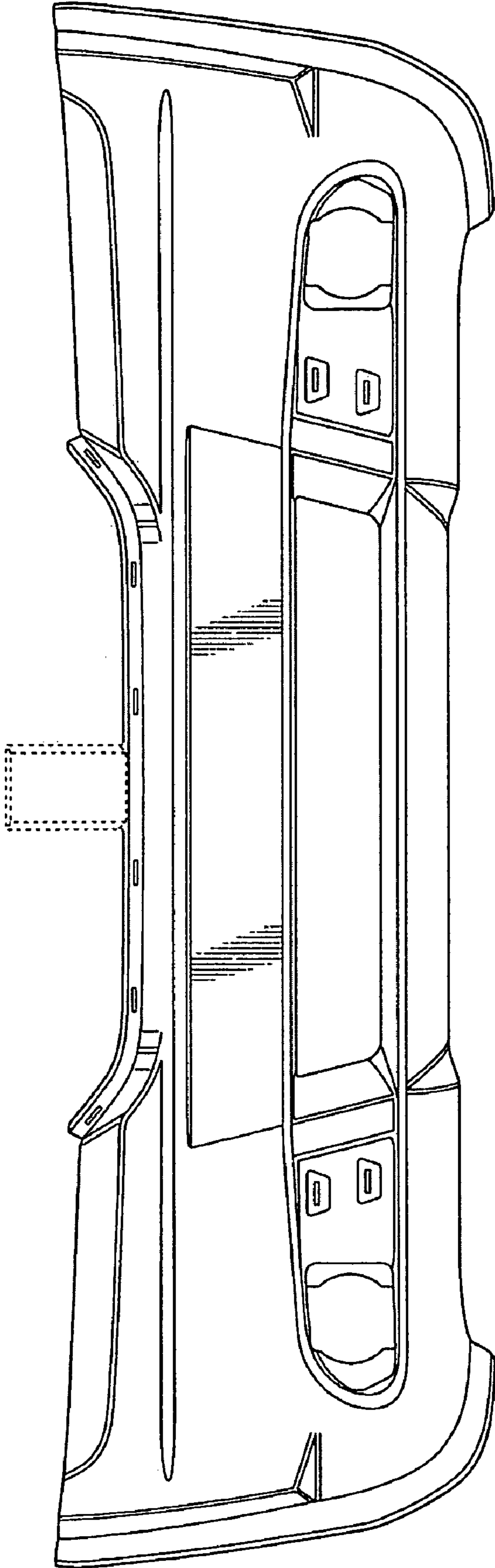


FIG. 2

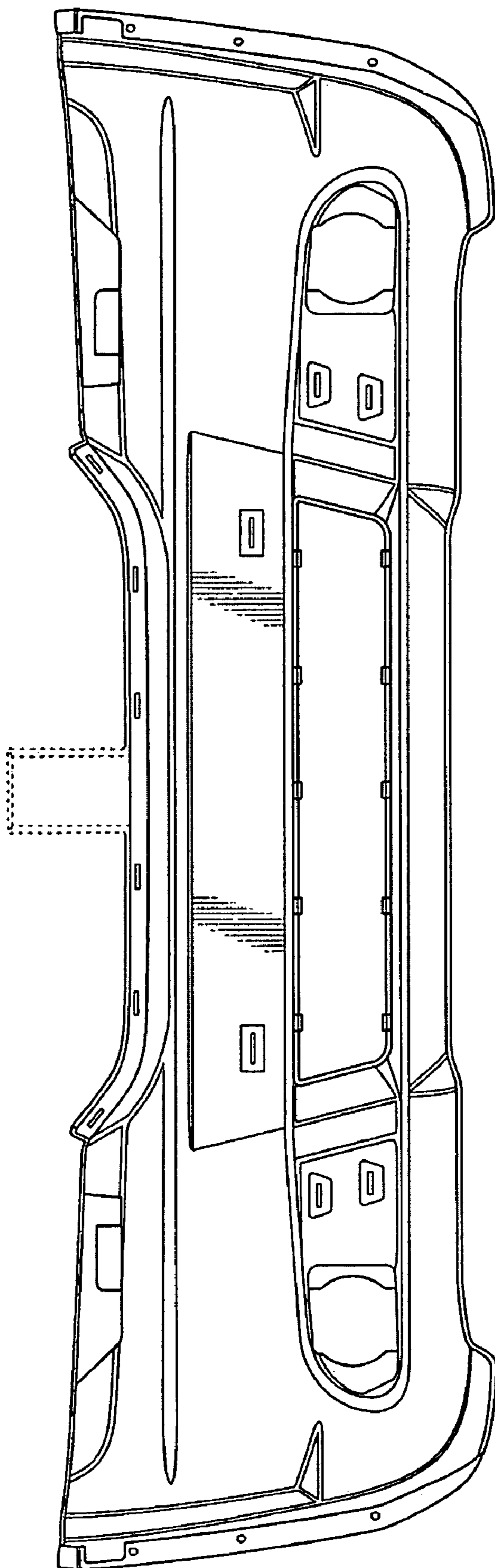


FIG. 3

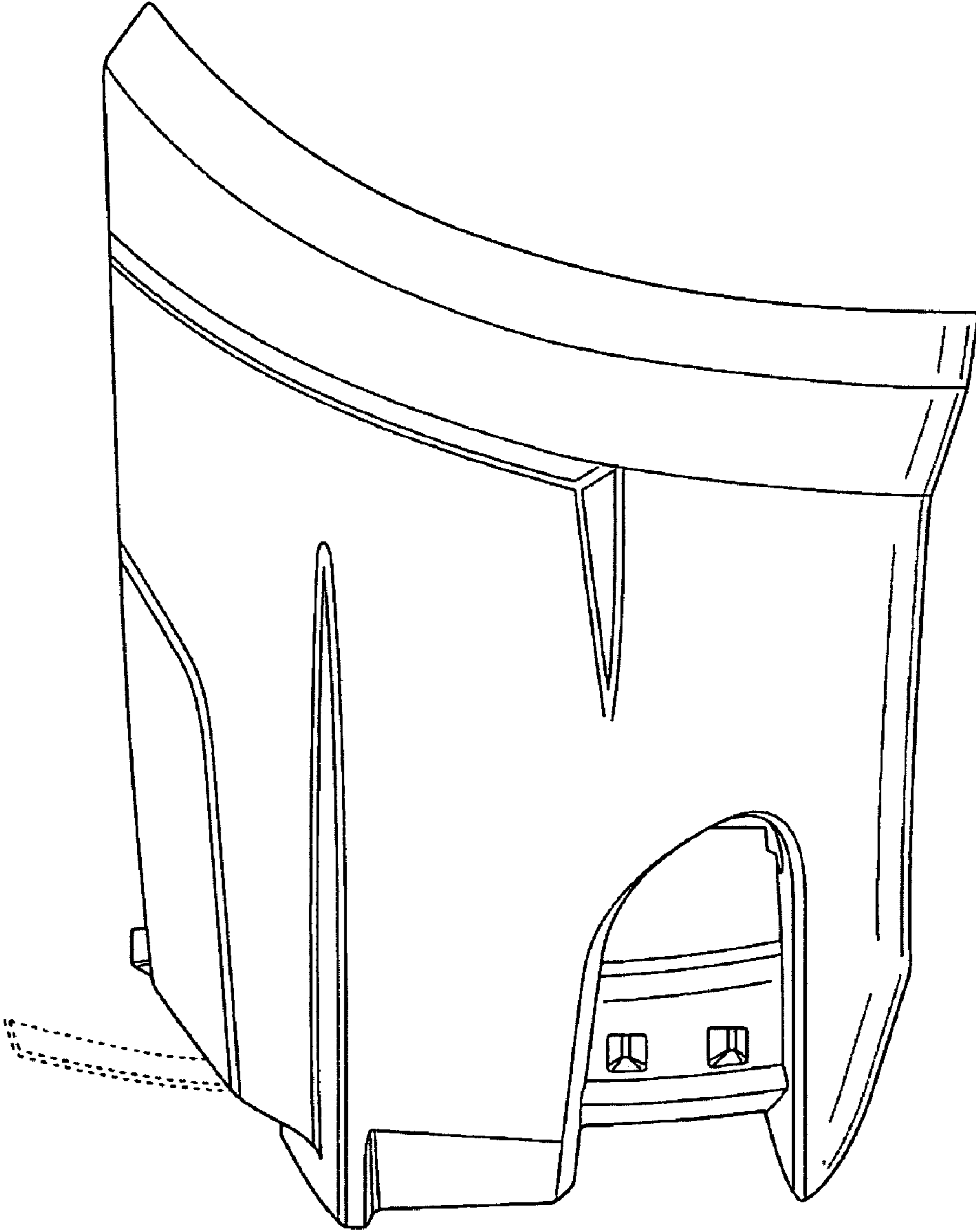


FIG. 4

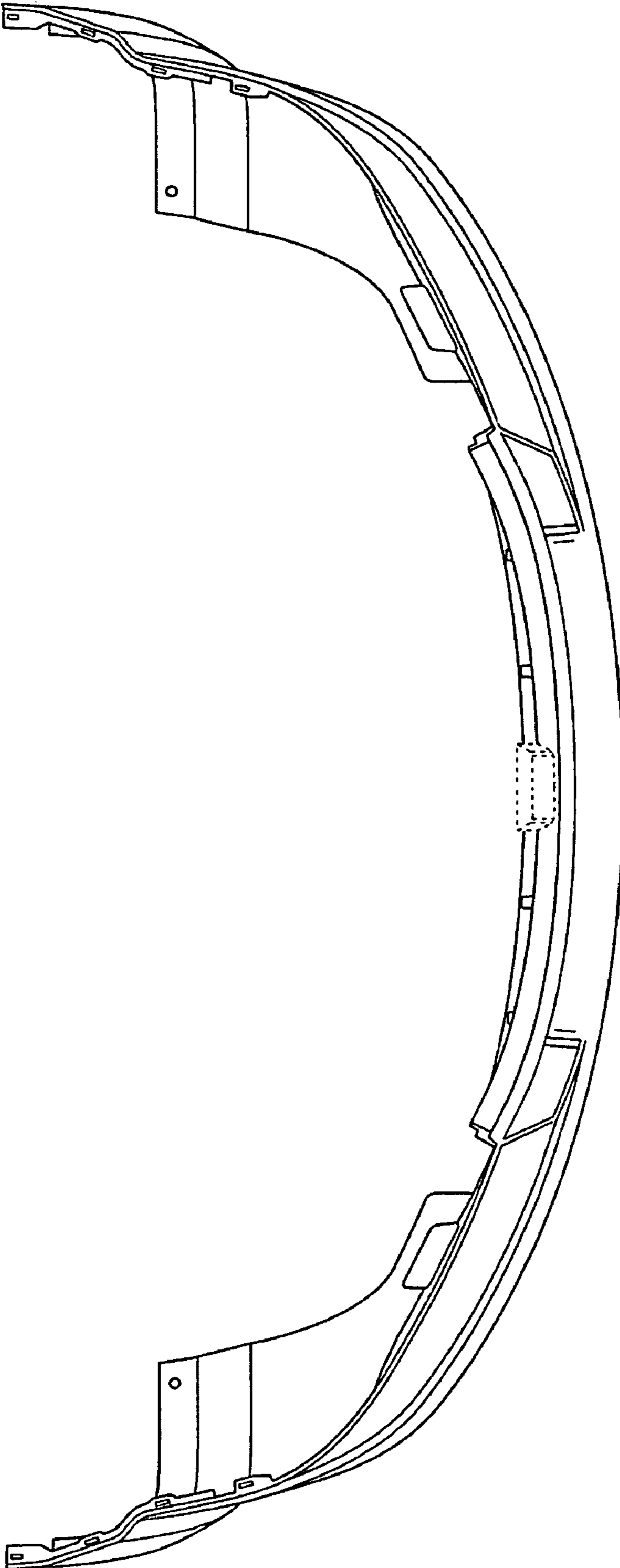


FIG. 5

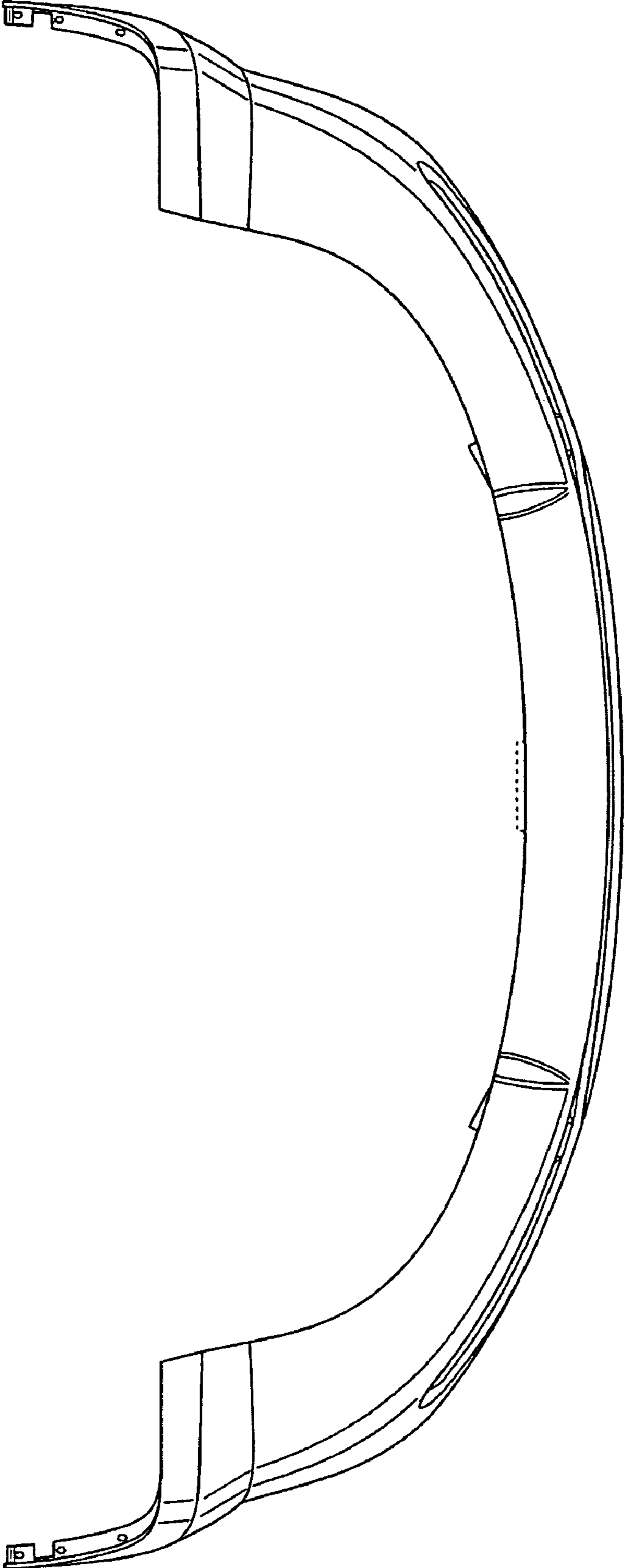


FIG. 6