



US00D595619S

(12) **United States Design Patent**  
**Morrow et al.**

(10) **Patent No.:** **US D595,619 S**  
(45) **Date of Patent:** **\*\* Jul. 7, 2009**

(54) **DOUBLE-SPROCKET BICYCLE ADAPTER**  
(76) Inventors: **David D. Morrow**, 1344 Garnet Ave., San Diego, CA (US) 92109; **Hondre C. Moreno**, 1344 Garnet Ave., San Diego, CA (US) 92109

*Primary Examiner*—Robin V Webster  
*Assistant Examiner*—Linda Brooks  
(74) *Attorney, Agent, or Firm*—Frank G. Morkunas

(\*\*) **Term:** **14 Years**  
(21) **Appl. No.:** **29/306,639**  
(22) **Filed:** **Apr. 14, 2008**

(57) **CLAIM**

We claim the ornamental design for the double-sprocket bicycle adapter, as shown and described.

(51) **LOC (9) Cl.** ..... **12-11**  
(52) **U.S. Cl.** ..... **D12/123**  
(58) **Field of Classification Search** ..... D12/111, D12/122–124, 114; 474/151–153, 155–158, 474/160–162, 164, 82, 133, 134, 148–150, 474/202, 203; D8/382  
See application file for complete search history.

**DESCRIPTION**

FIG. 1 is a perspective view of a double-sprocket bicycle adapter showing the new design.  
FIG. 2 is right side elevation view of a double-sprocket bicycle adapter showing the new design with the left side elevation view being a mirror-image thereof.  
FIG. 3 is top plan view of the double-sprocket bicycle adapter showing the new design.  
FIG. 4 is a front elevation view of a double-sprocket bicycle adapter showing the new design; and,  
FIG. 5 is a bottom plan view of the double-sprocket bicycle adapter showing the new design.

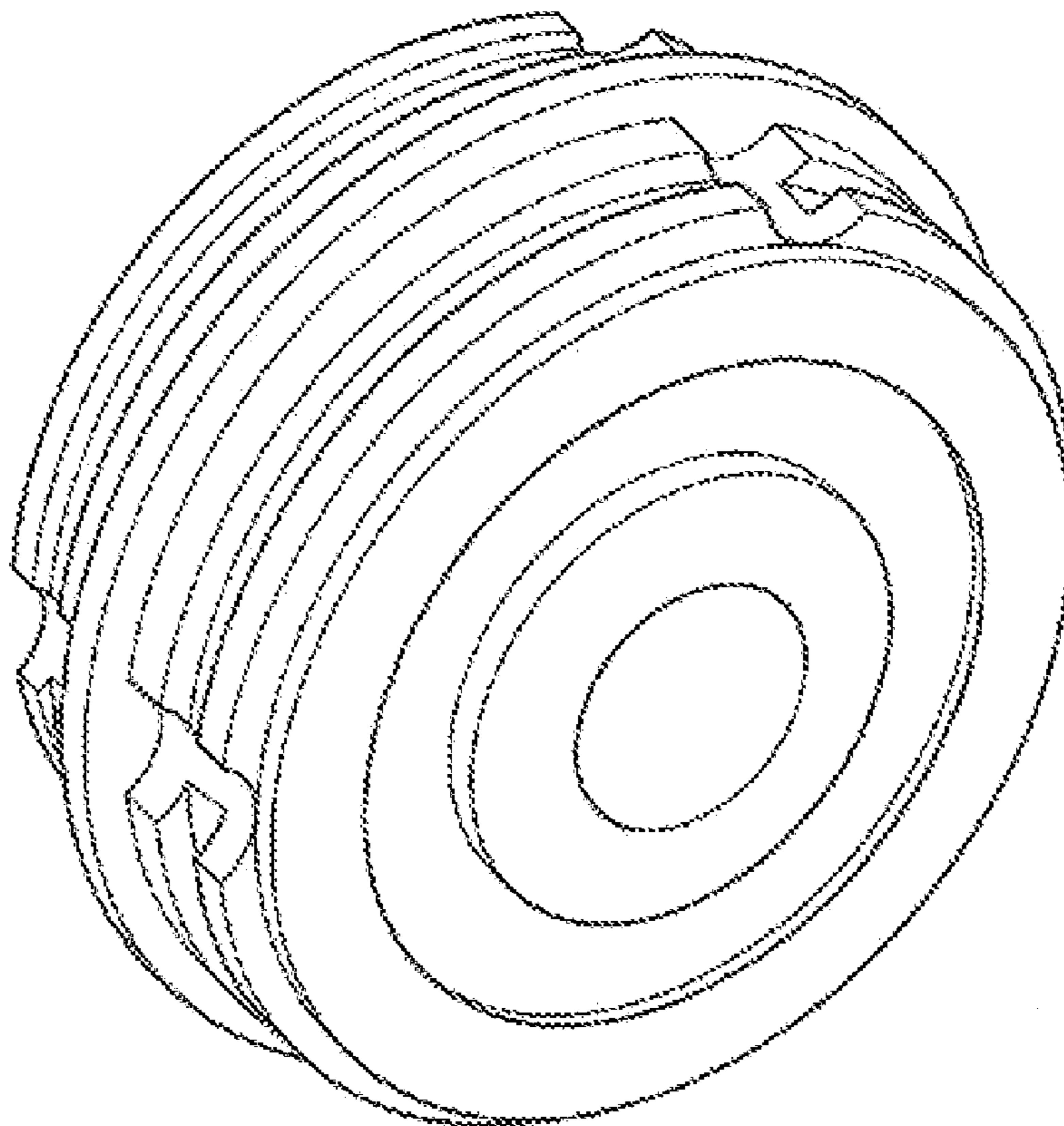
(56) **References Cited**

U.S. PATENT DOCUMENTS

5,733,215 A \* 3/1998 Hsu et al. .... 474/160  
D396,436 S \* 7/1998 Liska ..... D12/123  
5,860,882 A \* 1/1999 Petrilli et al. .... 474/158  
7,044,876 B2 \* 5/2006 Kamada et al. .... 474/160

\* cited by examiner

**1 Claim, 1 Drawing Sheet**



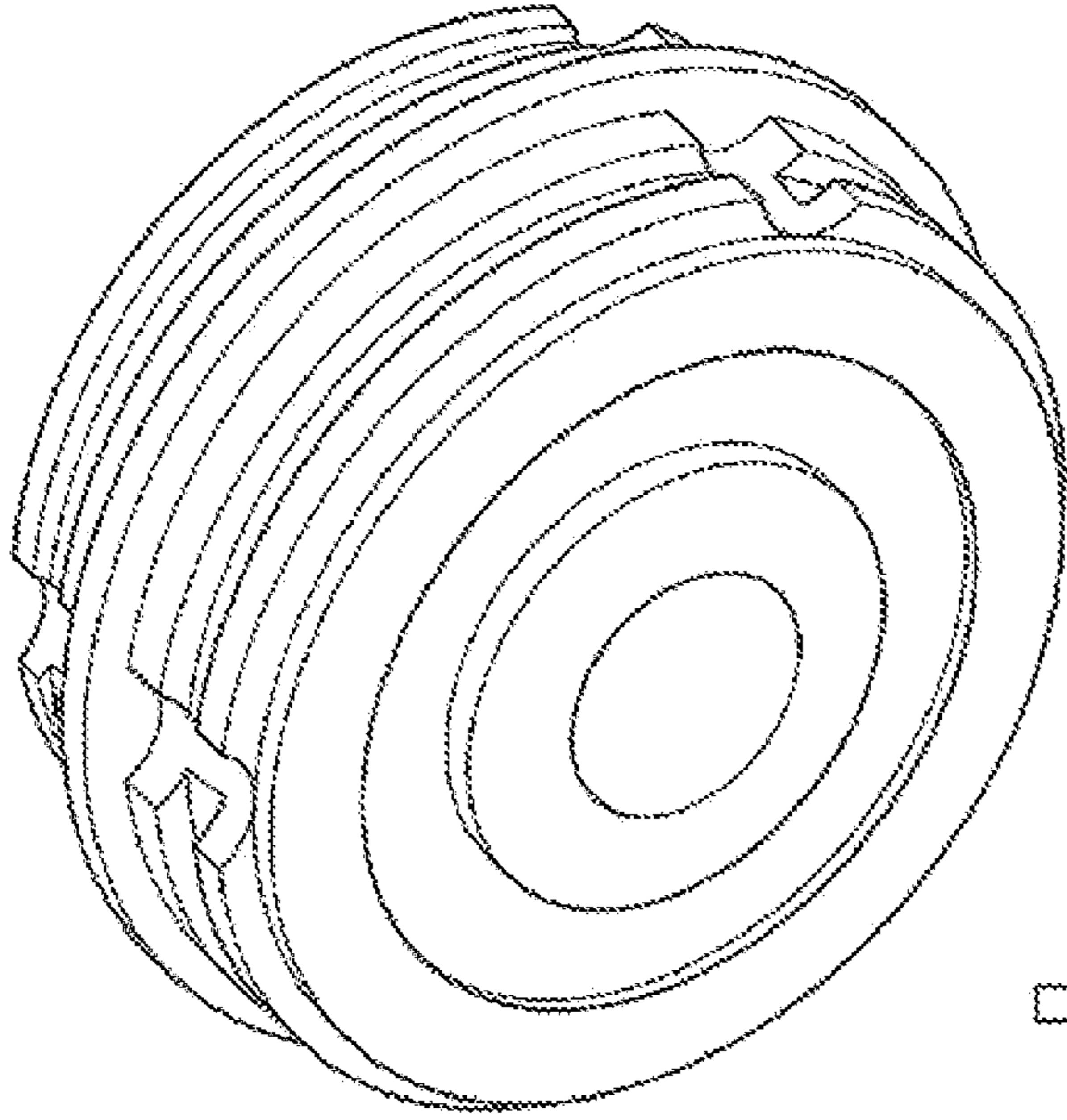


Fig. 1

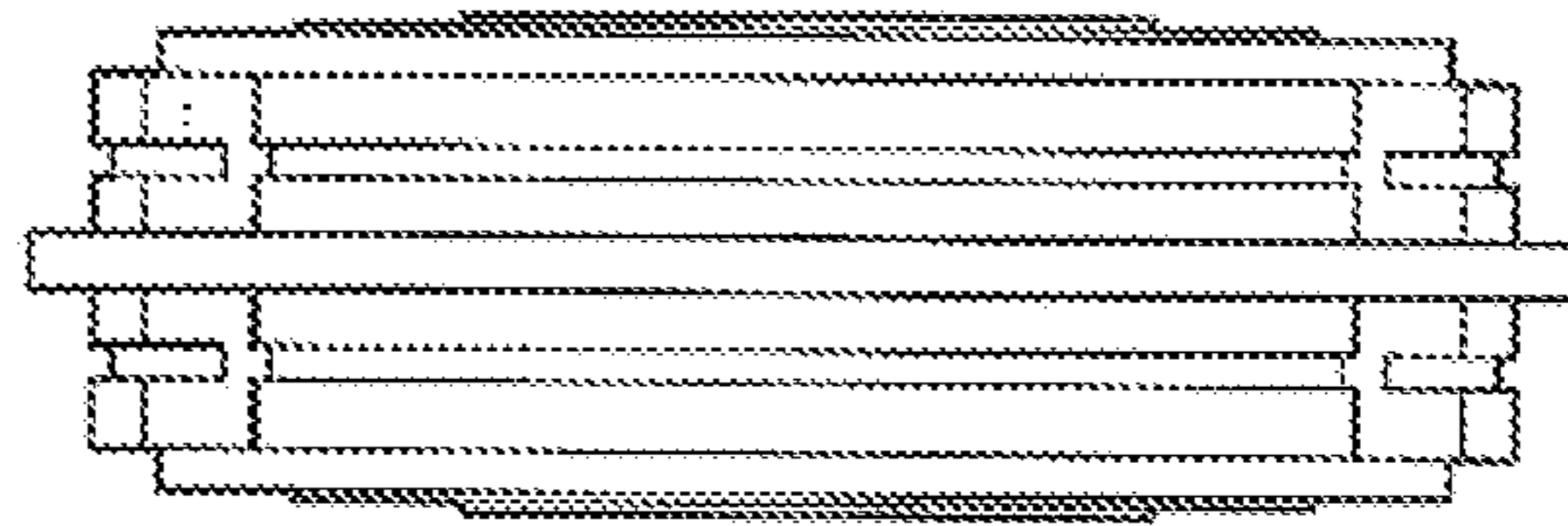


Fig. 3

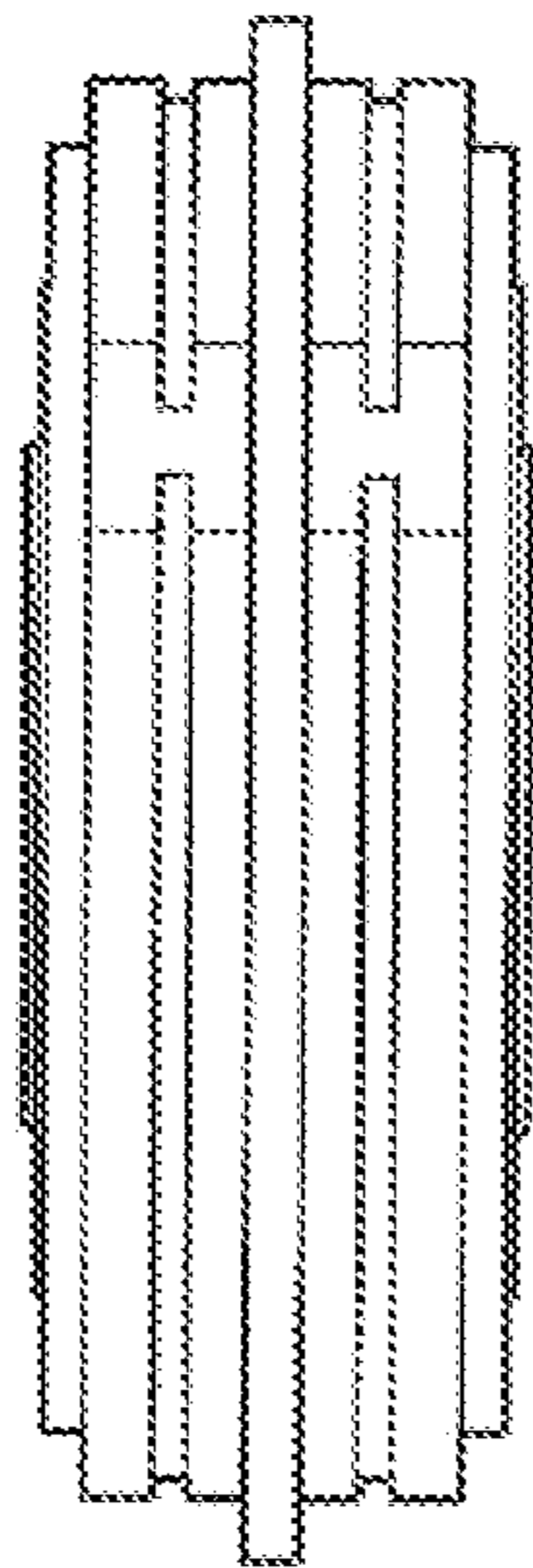


Fig. 4

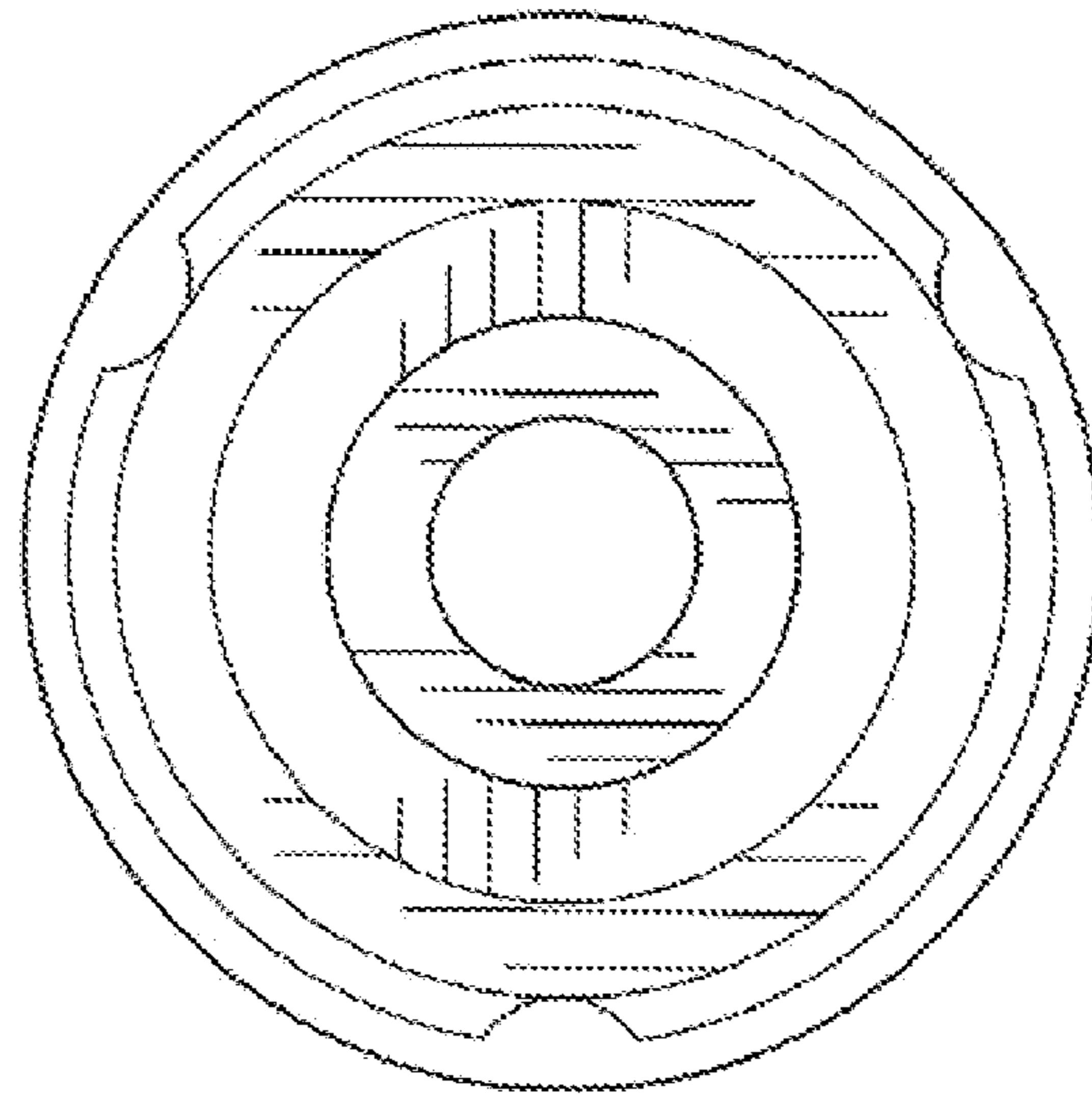


Fig. 2

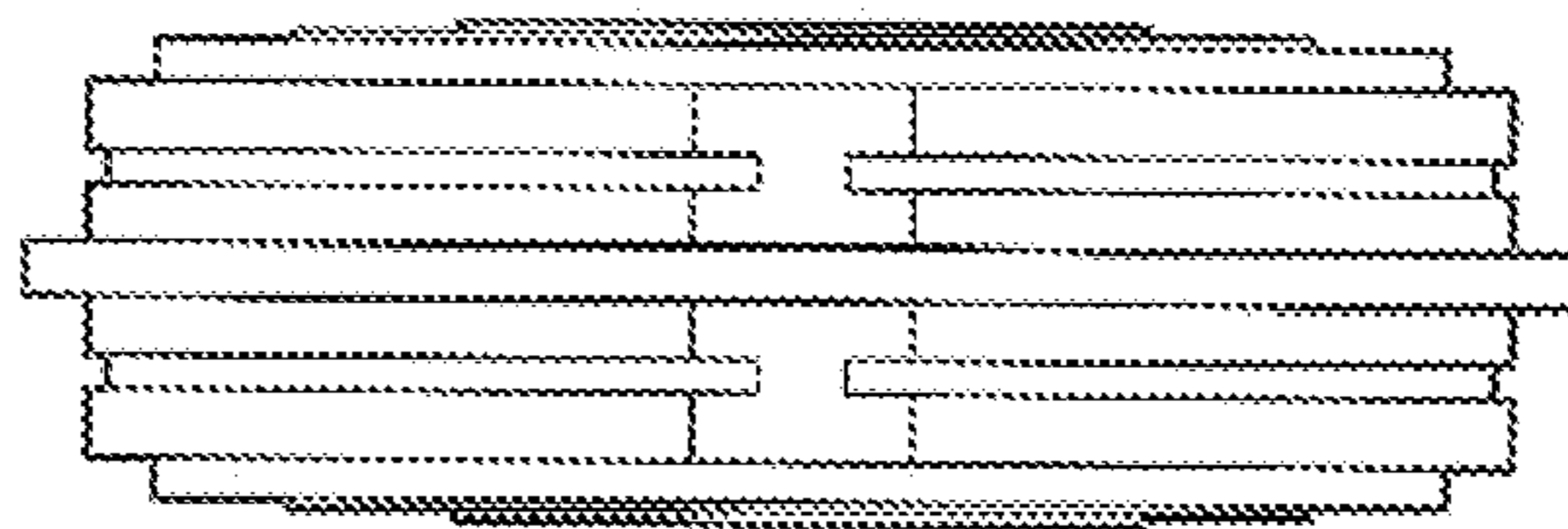


Fig. 5