



US00D595612S

(12) **United States Design Patent**
Pontaoe

(10) **Patent No.:** **US D595,612 S**
(45) **Date of Patent:** **** Jul. 7, 2009**

(54) **WEBBING BELT ADJUSTER**

(75) Inventor: **John S. Pontaoe**, Chicago, IL (US)

(73) Assignee: **Illinois Tool Works Inc.**, Glenview, IL (US)

(**) Term: **14 Years**

(21) Appl. No.: **29/322,918**

(22) Filed: **Aug. 14, 2008**

(51) **LOC (9) Cl.** **02-07**

(52) **U.S. Cl.** **D11/218**

(58) **Field of Classification Search** D11/1-2,
D11/200-201, 206-210, 214-218; 24/163 R,
24/169-171, 173, 177-179, 191, 194-195,
24/197, 200

See application file for complete search history.

(56) **References Cited**

U.S. PATENT DOCUMENTS

D274,861 S *	7/1984	Lindblad	D11/216
D399,172 S *	10/1998	Anscher	D11/218
D471,133 S *	3/2003	Pontaoe	D11/218
D483,294 S *	12/2003	Uehara	D11/218
6,735,826 B2	5/2004	Uehara et al.		
D491,103 S *	6/2004	Uehara et al.	D11/218
D520,908 S *	5/2006	Haymond	D11/218
D521,898 S *	5/2006	Anscher	D11/216

D556,086 S	11/2007	Pontaoe		
D558,088 S *	12/2007	Pontaoe	D11/218
D558,638 S	1/2008	Kolasa		
D559,146 S	1/2008	Kawaguchi		
D564,409 S *	3/2008	Pontaoe	D11/218

* cited by examiner

Primary Examiner—R. Seifert

(74) *Attorney, Agent, or Firm*—Mark W. Croll; Paul F. Donovan

(57) **CLAIM**

The ornamental design for a webbing belt adjuster, as shown and described.

DESCRIPTION

FIG. 1 is a perspective view of a webbing belt adjuster showing the new design;

FIG. 2 is a top plan view thereof;

FIG. 3 is a bottom plan view thereof;

FIG. 4 is a right side elevational thereof;

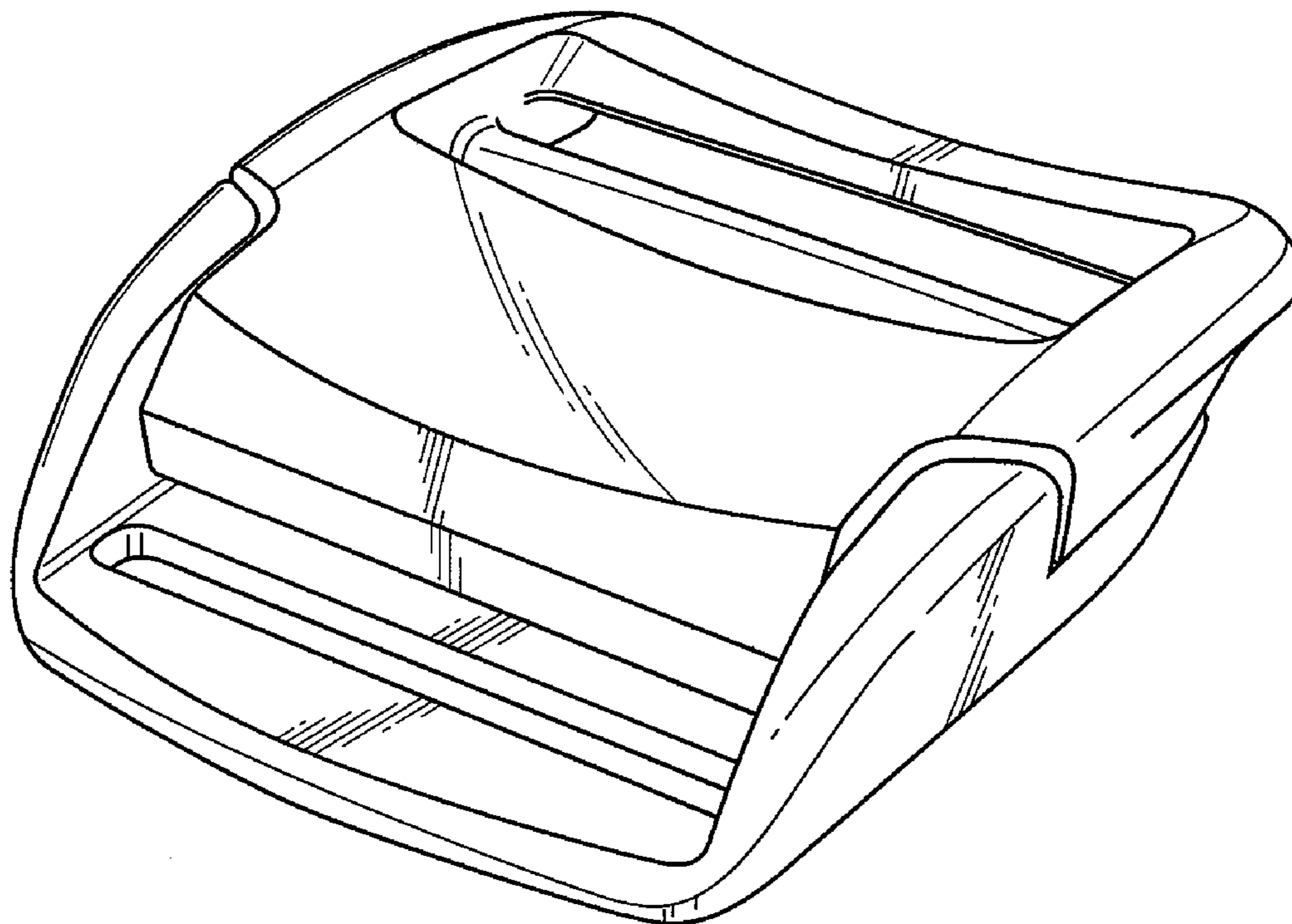
FIG. 5 is a left side elevational view thereof;

FIG. 6 is an elevational view of one end thereof; and,

FIG. 7 is an elevational view of the opposite end thereof.

The broken line portions of the disclosure are for illustrative purposes only and form no part of the claimed design.

1 Claim, 5 Drawing Sheets



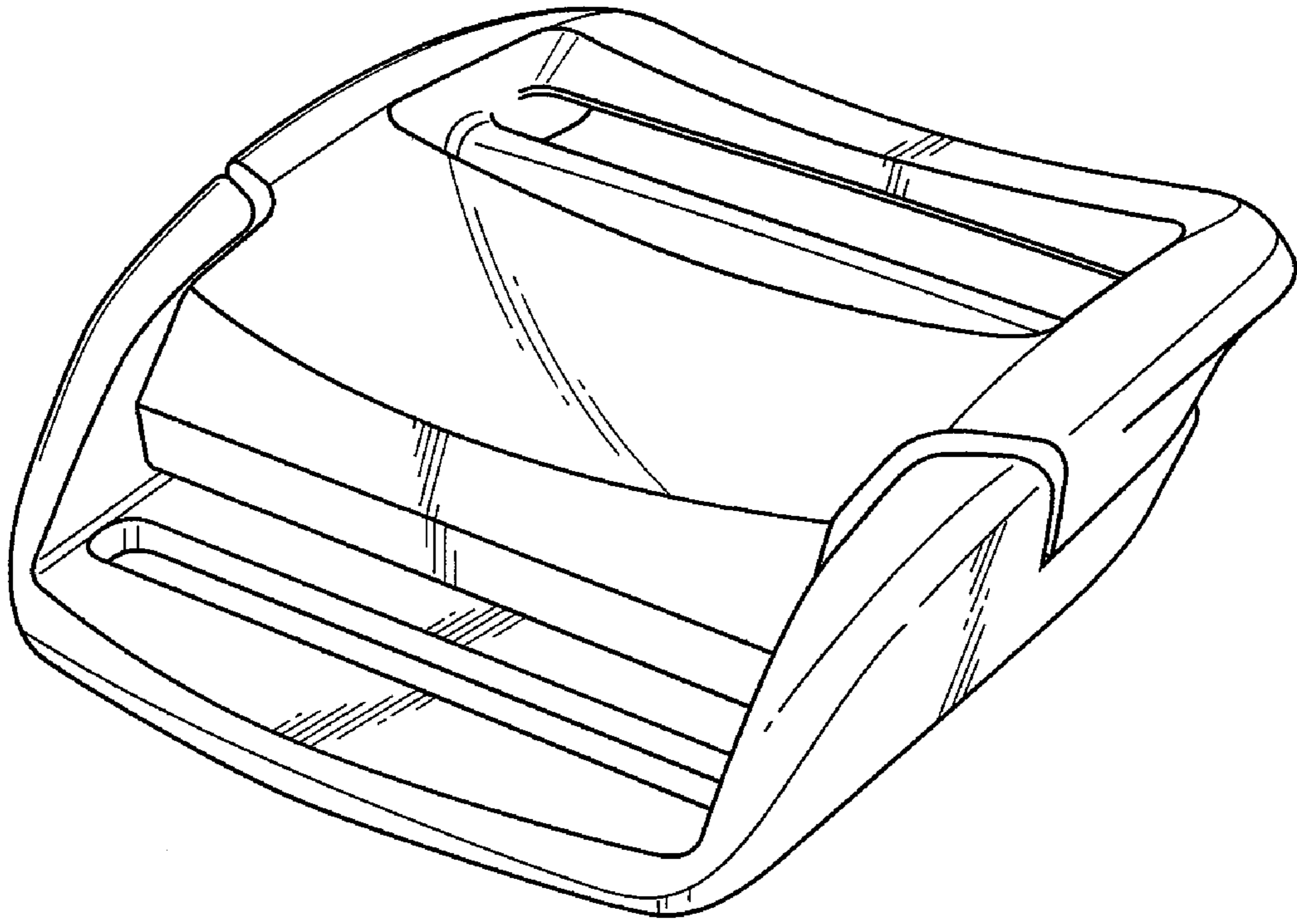


Fig. 1

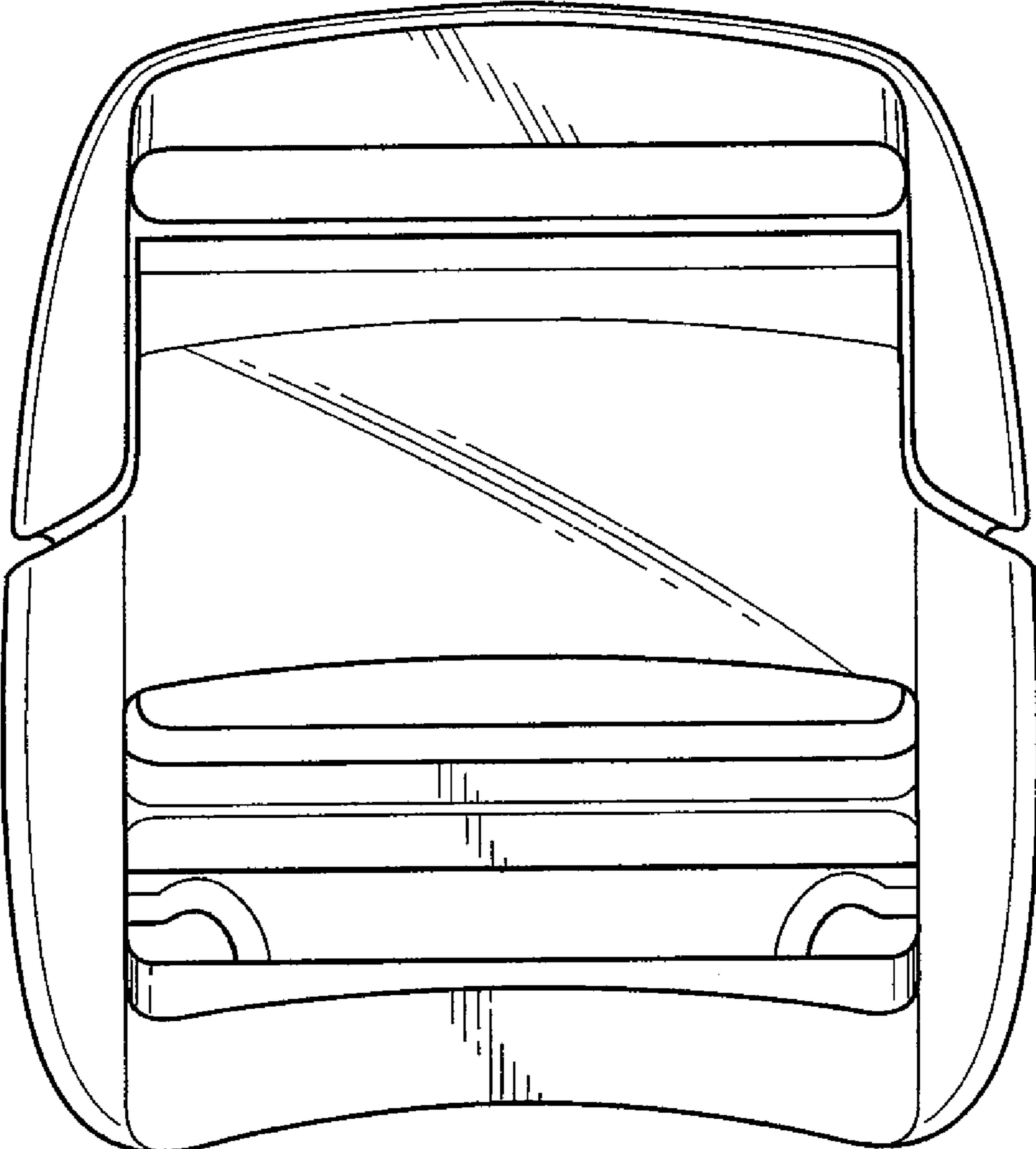


Fig. 2

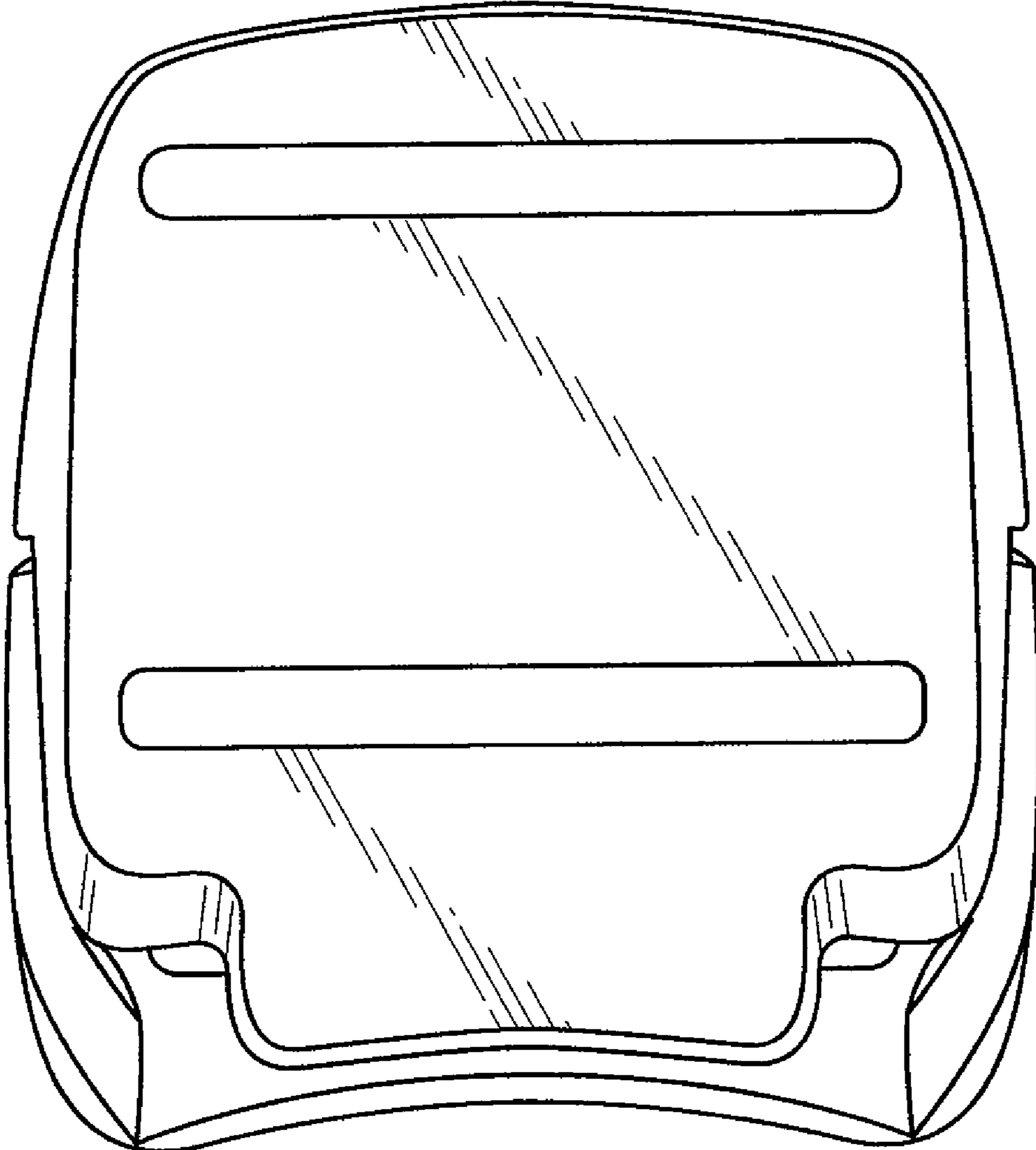


Fig. 3

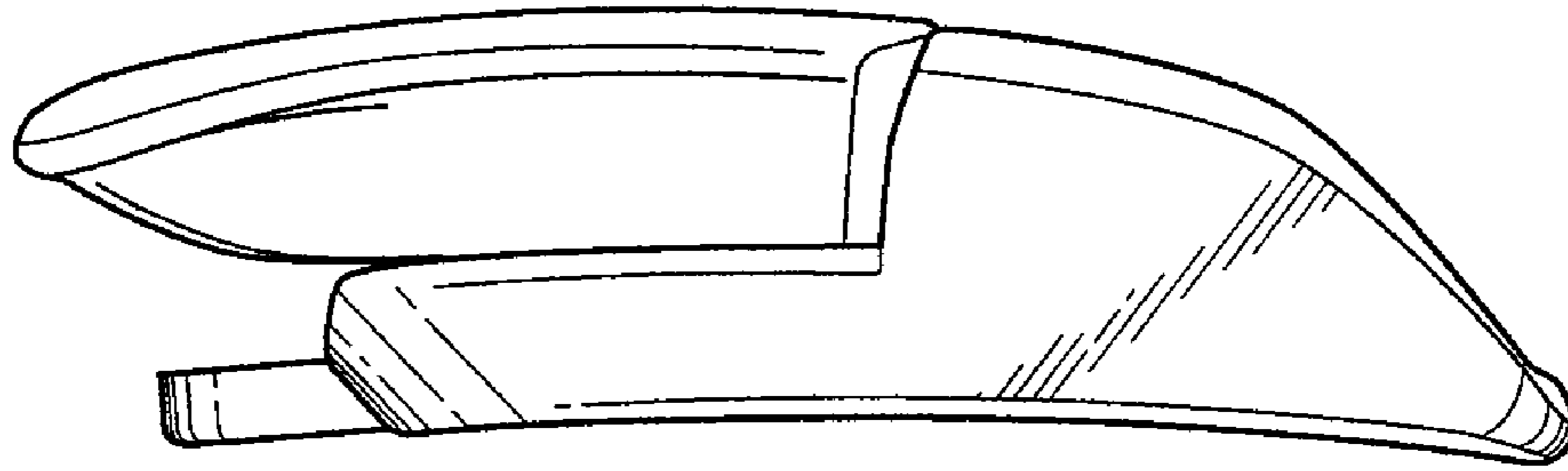


Fig. 4

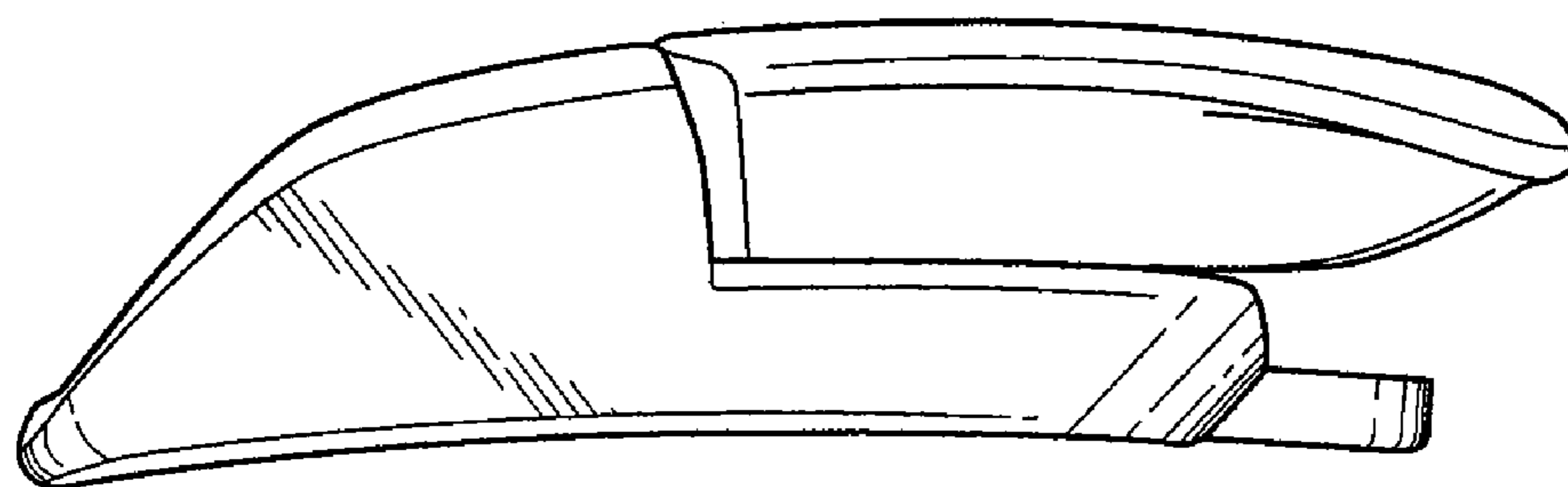


Fig. 5

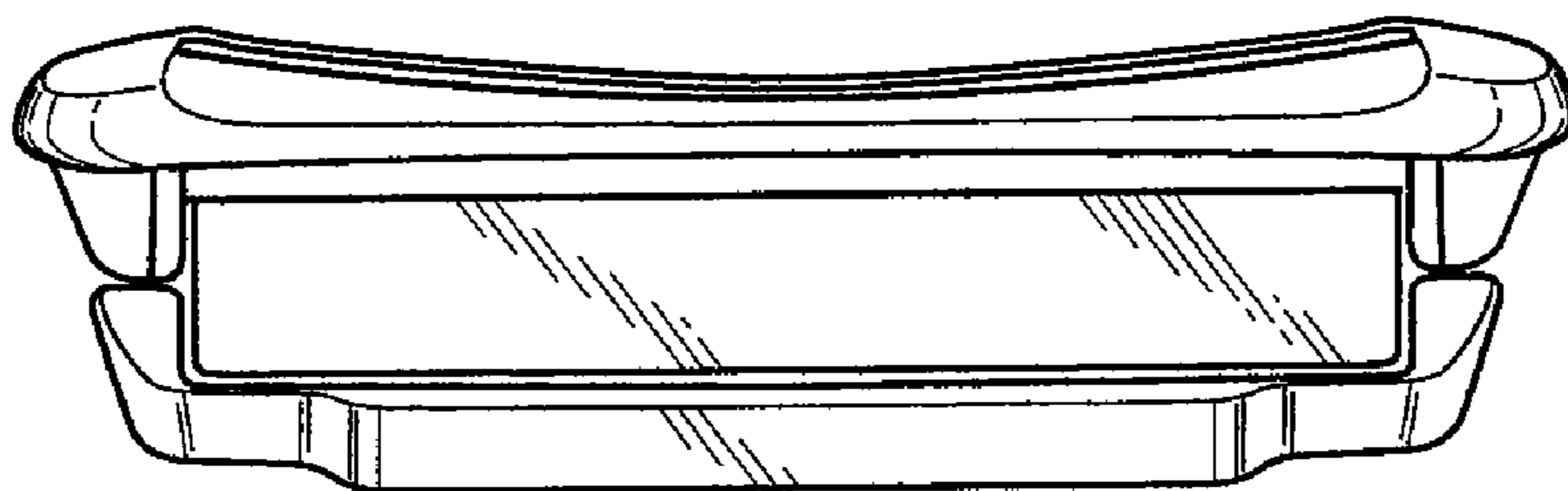


Fig. 6

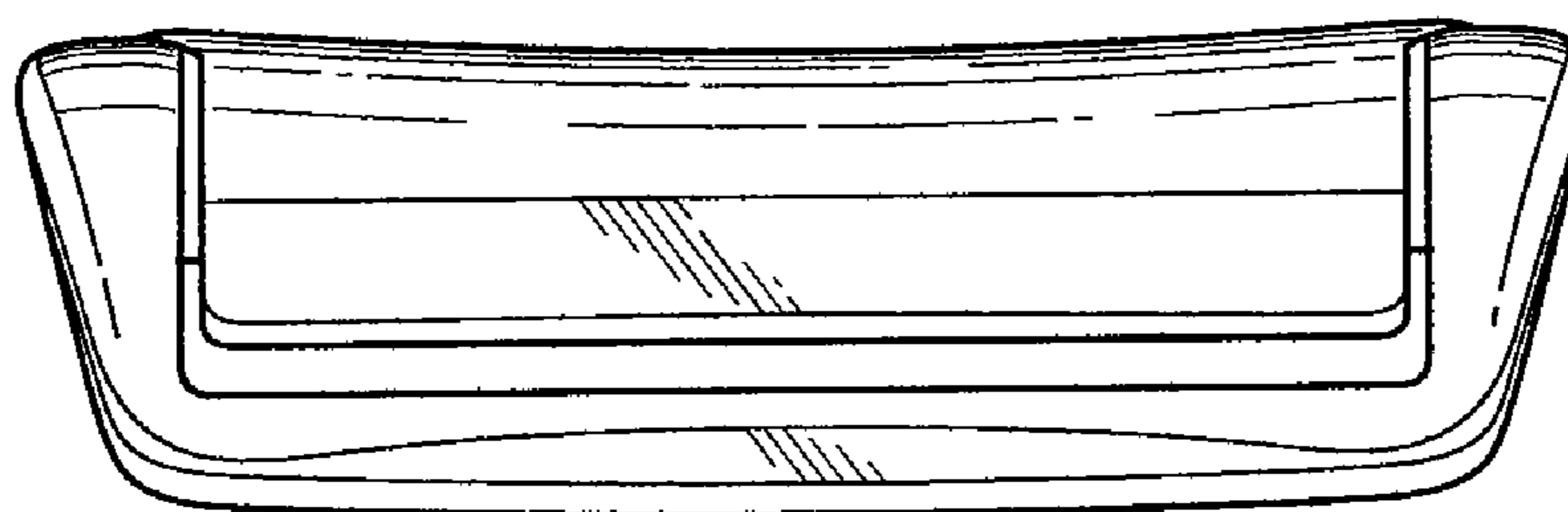


Fig. 7