

US00D595602S

(12) **United States Design Patent**
Chen et al.

(10) **Patent No.:** **US D595,602 S**

(45) **Date of Patent:** **** Jul. 7, 2009**

(54) **TIRE PRESSURE GAUGE**

(76) Inventors: **Kuo-Liang Chen**, No. 246-1, Changma Rd., Changhua, Taiwan (TW); **Jason Gun**, 7F., No. 460, Sec. 4, Henan Rd., Nantun District, Taichung, Taiwan (TW)

(**) Term: **14 Years**

(21) Appl. No.: **29/311,034**

(22) Filed: **Dec. 12, 2008**

(51) **LOC (9) Cl.** **10-04**

(52) **U.S. Cl.** **D10/86**

(58) **Field of Classification Search** D10/86;
73/146-146.8; 116/34 R; 200/61.22, 61.25;
340/442, 447

See application file for complete search history.

(56) **References Cited**

U.S. PATENT DOCUMENTS

D564,383 S * 3/2008 Petrucelli et al. D10/86

* cited by examiner

Primary Examiner—Antoine D Davis

(74) *Attorney, Agent, or Firm*—Bacon & Thomas, PLLC

(57) **CLAIM**

The ornamental design for a tire pressure gauge, as shown and described.

DESCRIPTION

FIG. 1 is a perspective view of a tire pressure gauge, showing our new design;

FIG. 2 is a front view thereof;

FIG. 3 is a rear view thereof;

FIG. 4 is a left view thereof;

FIG. 5 is a right view thereof;

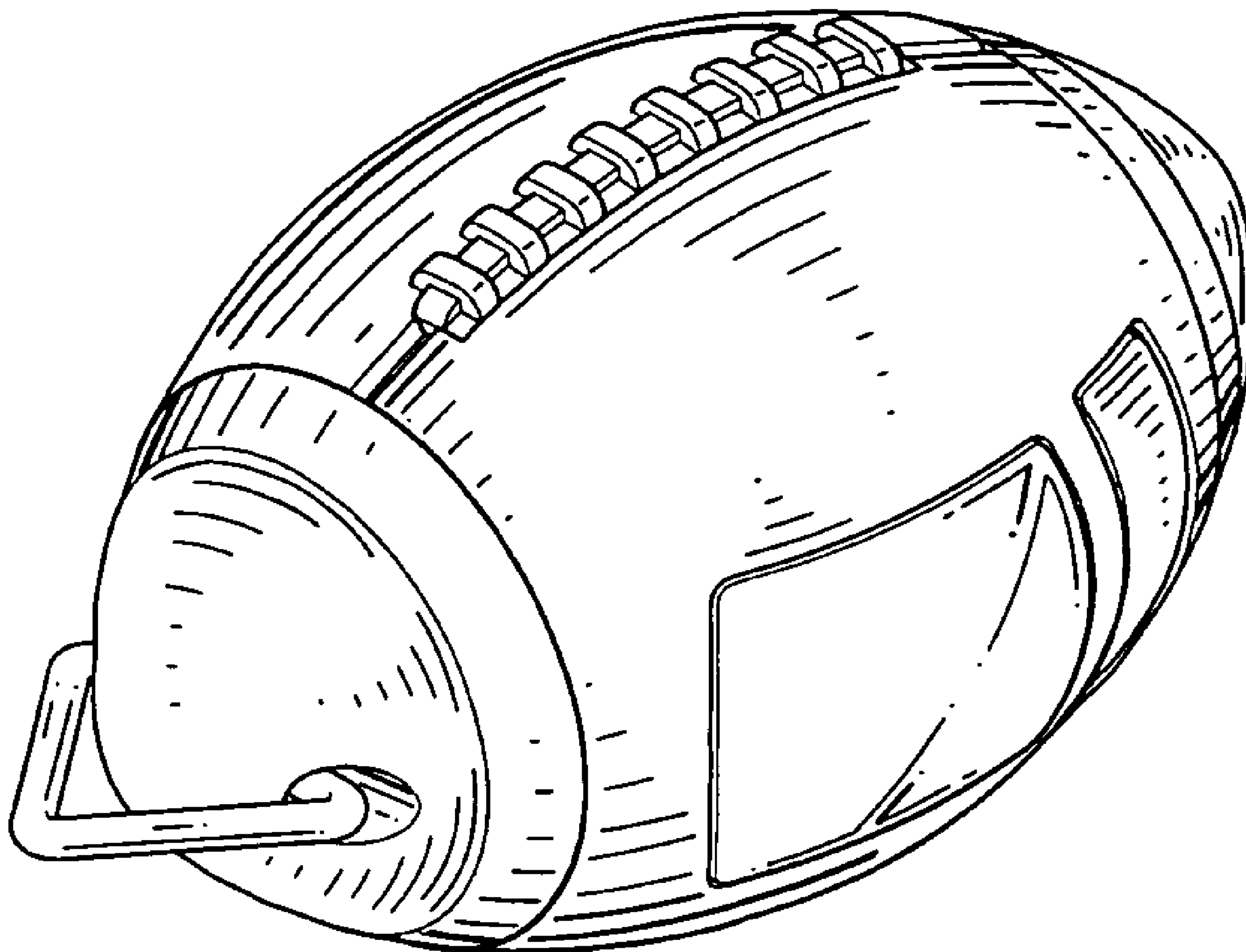
FIG. 6 is a top view thereof;

FIG. 7 is a bottom view thereof; and,

FIG. 8 is an exploded perspective view thereof.

Wherein, the broken lines are shown for illustrative purposes only and form no part of the claimed design.

1 Claim, 5 Drawing Sheets



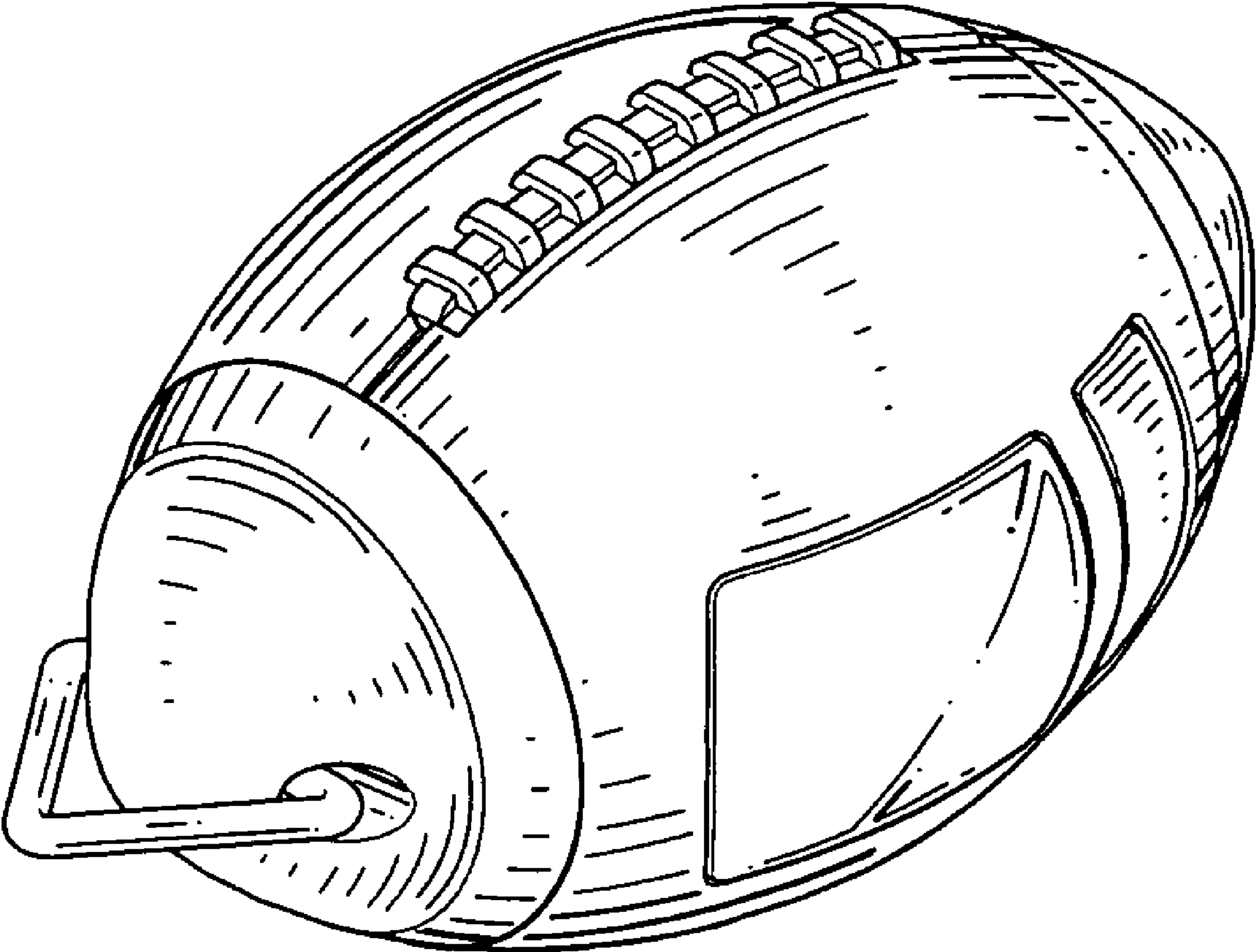


FIG. 1

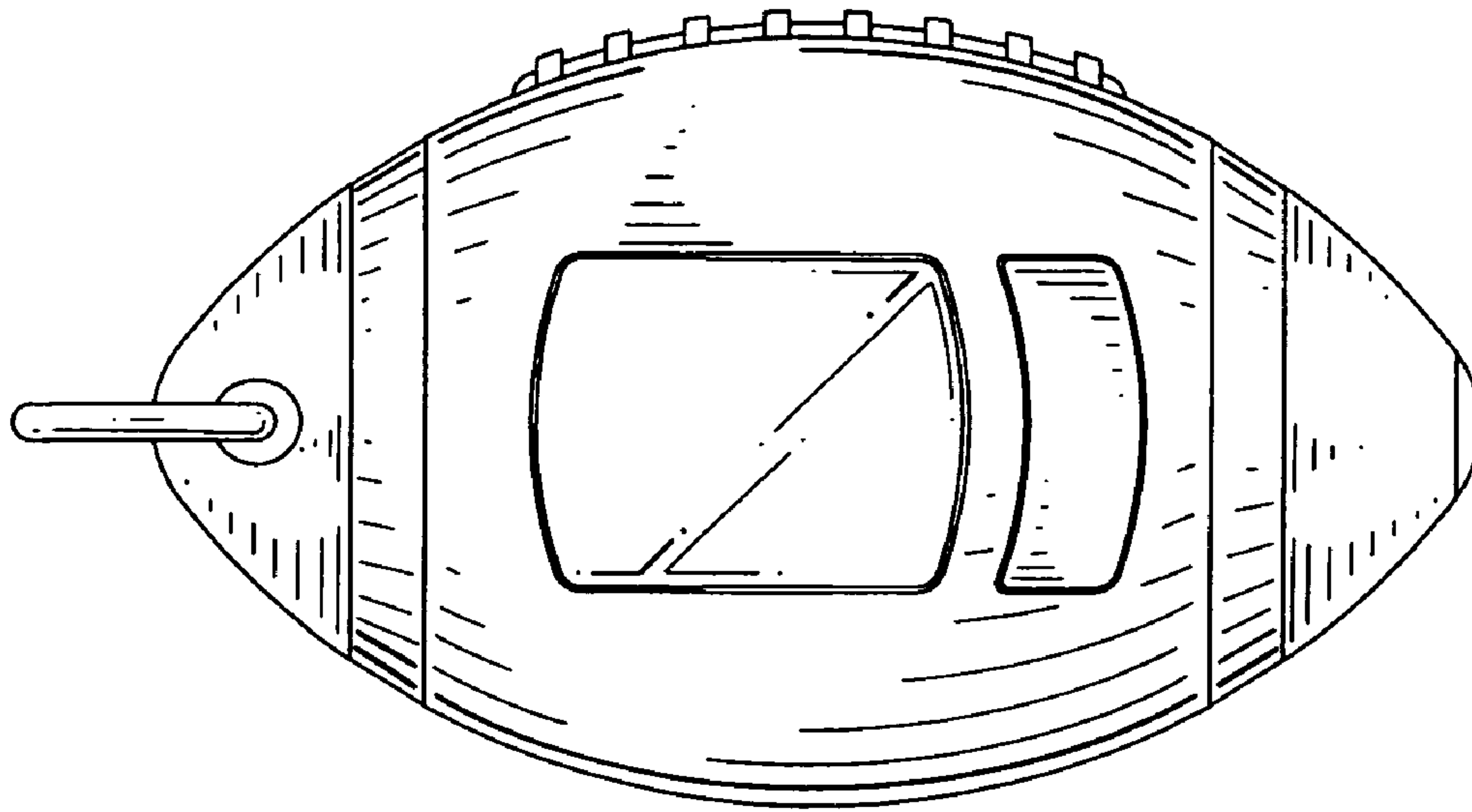


FIG. 2

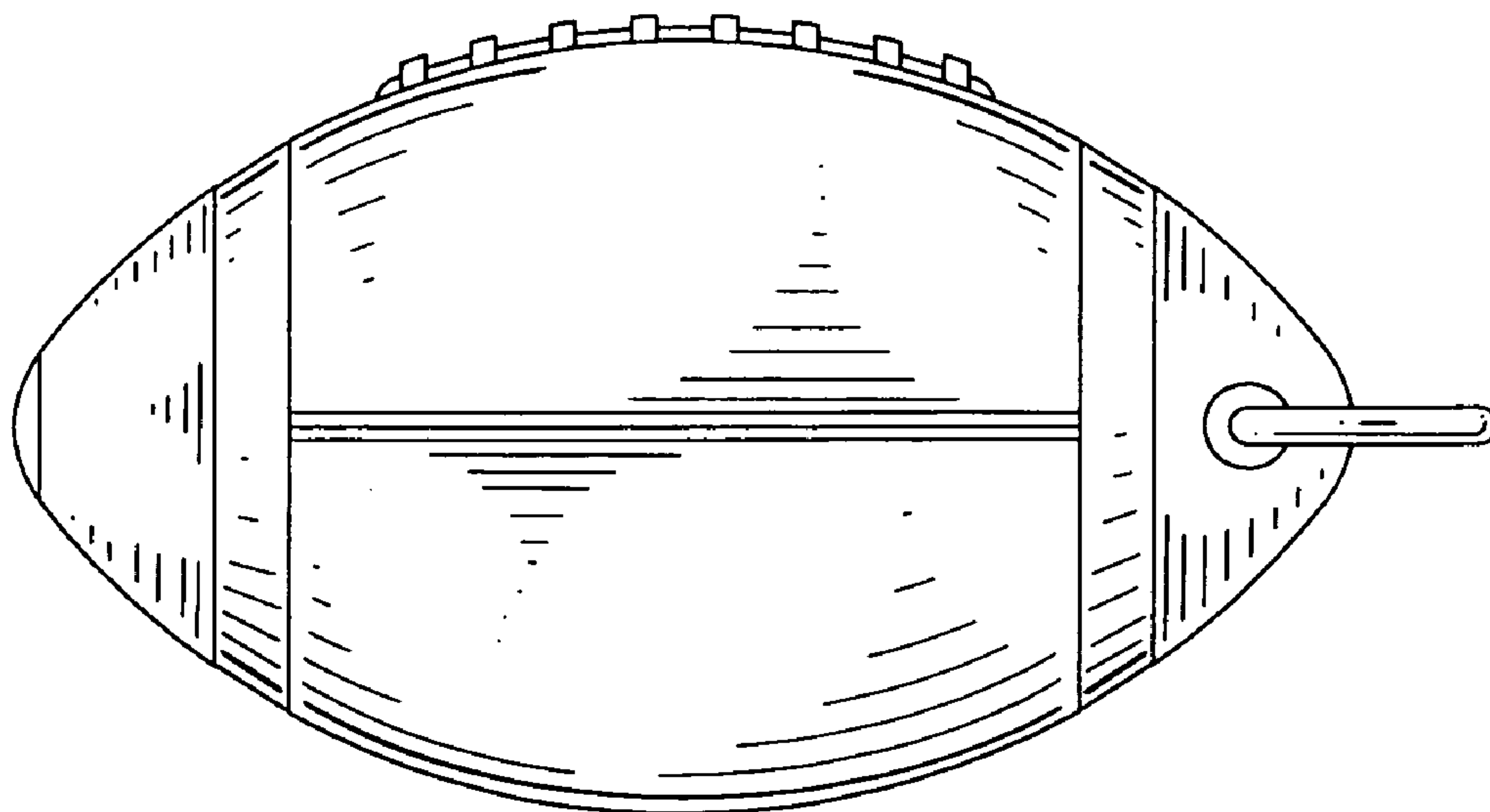


FIG. 3

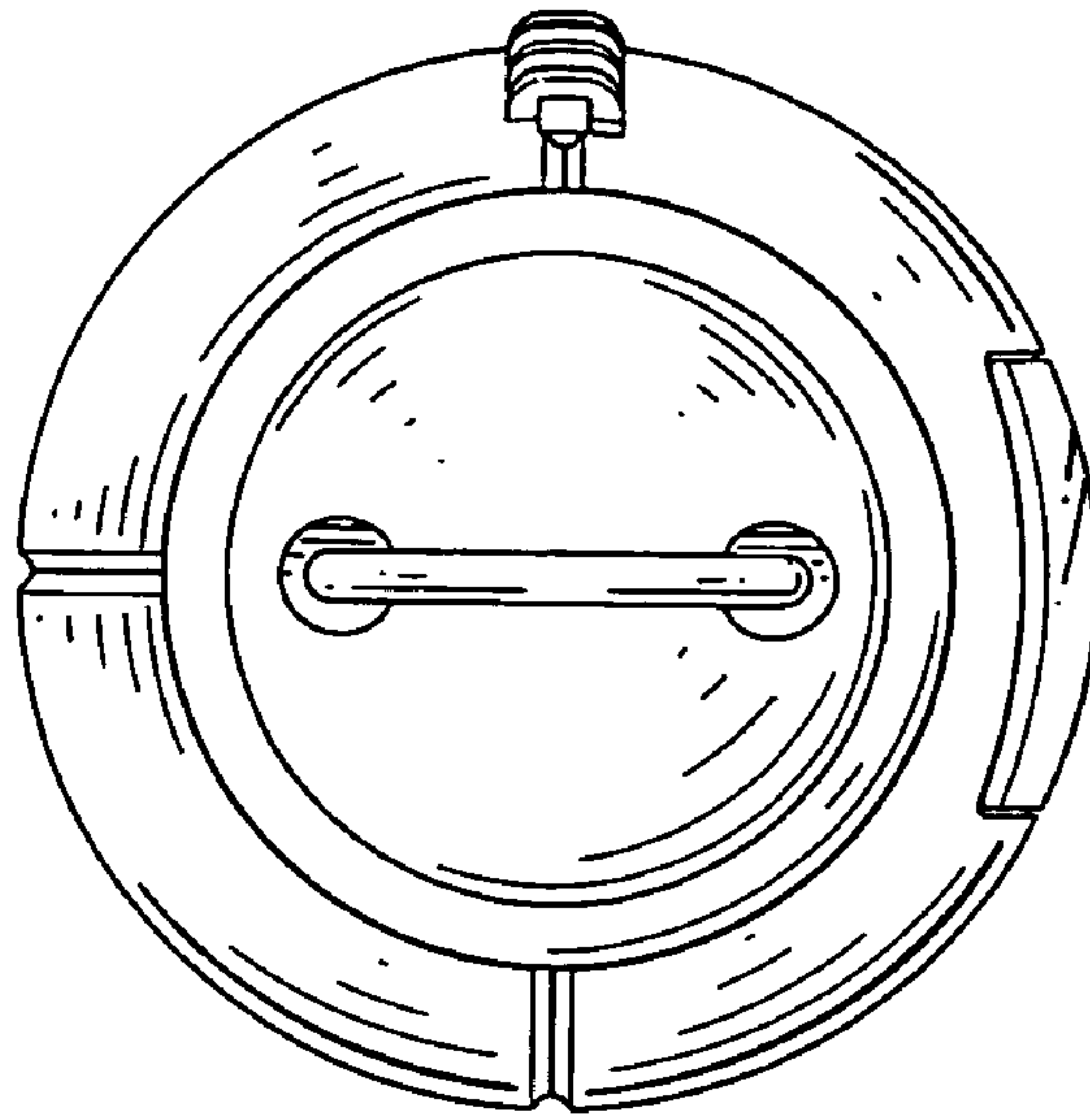


FIG. 4

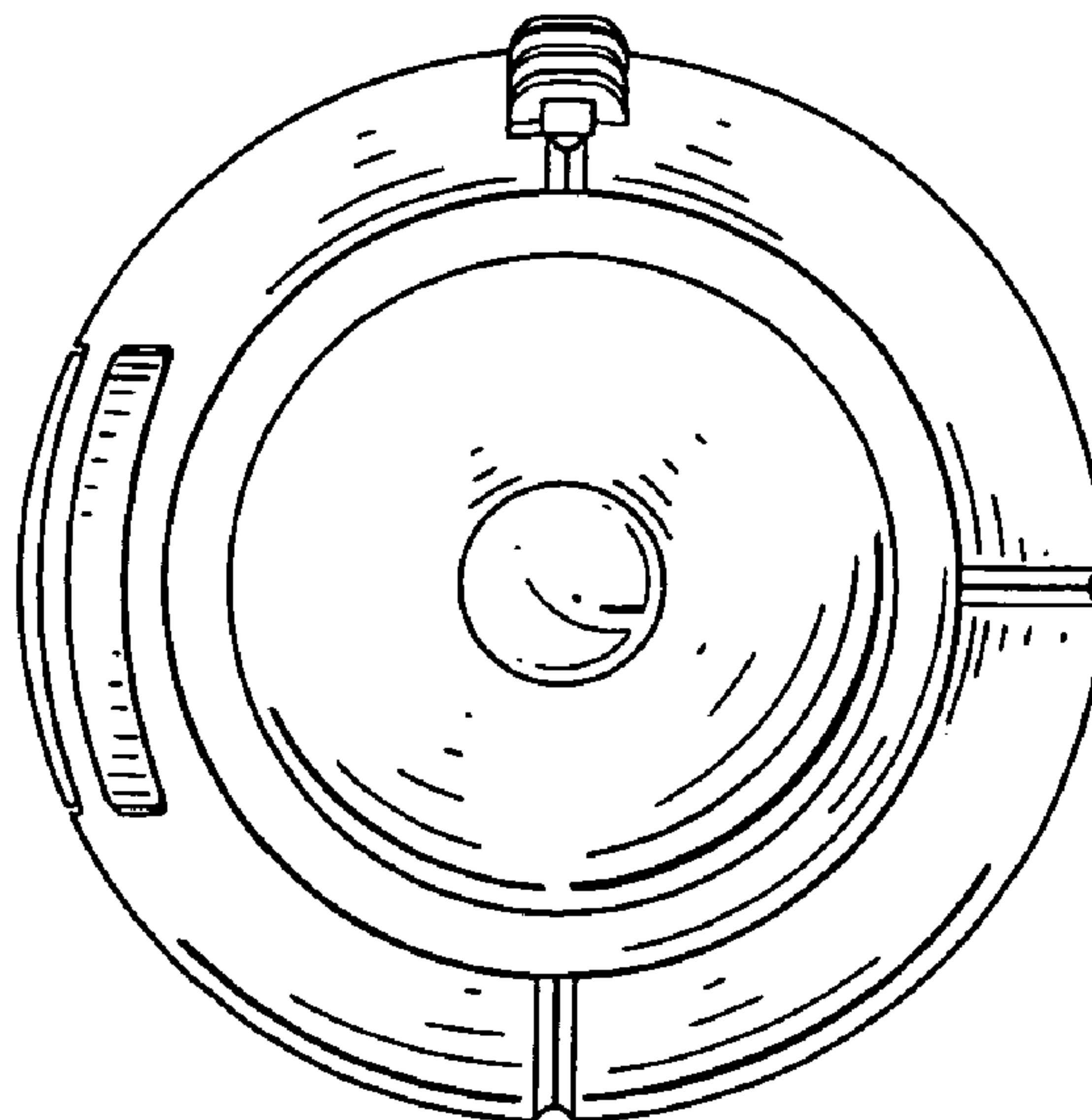


FIG. 5

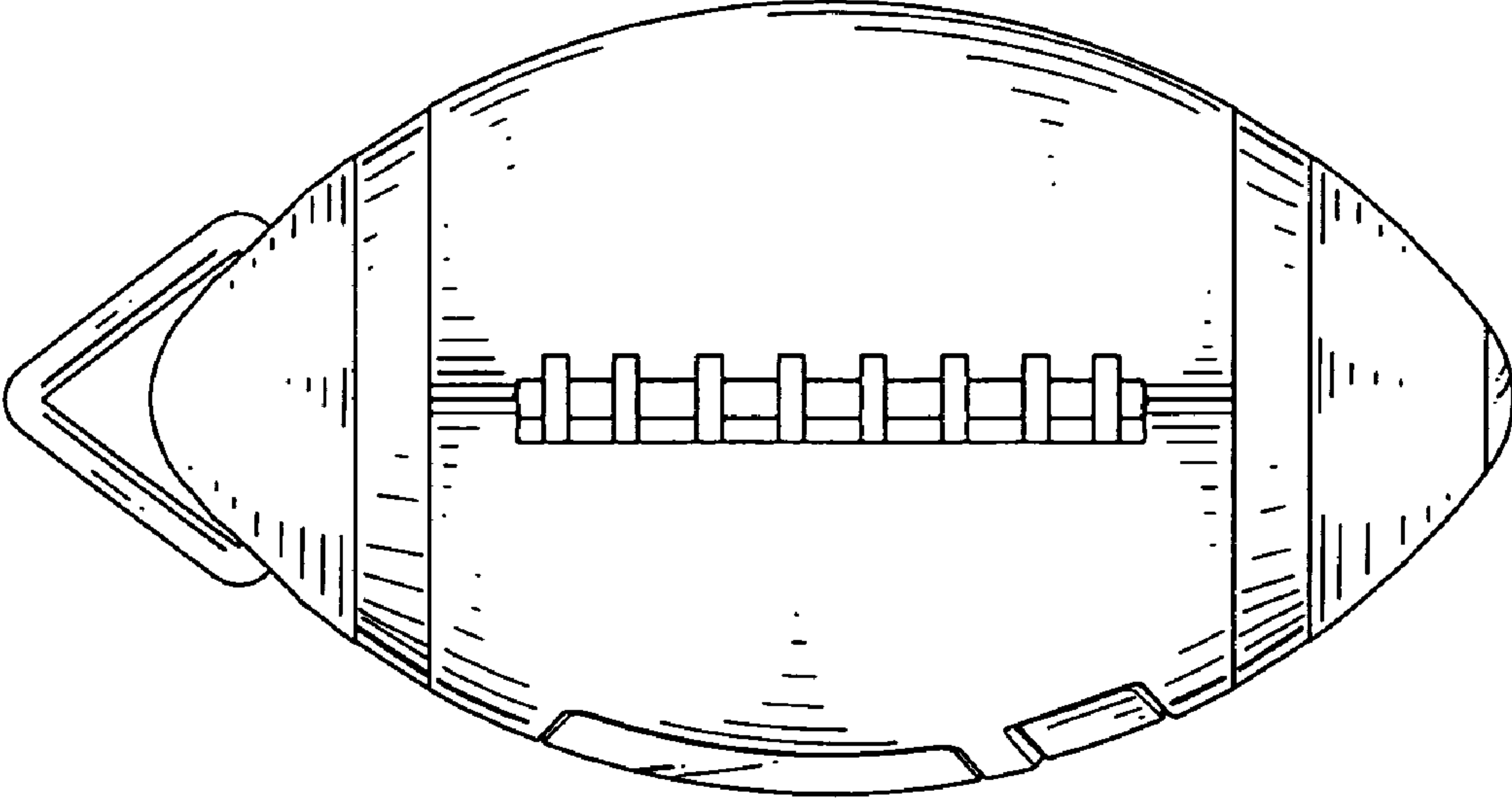


FIG. 6

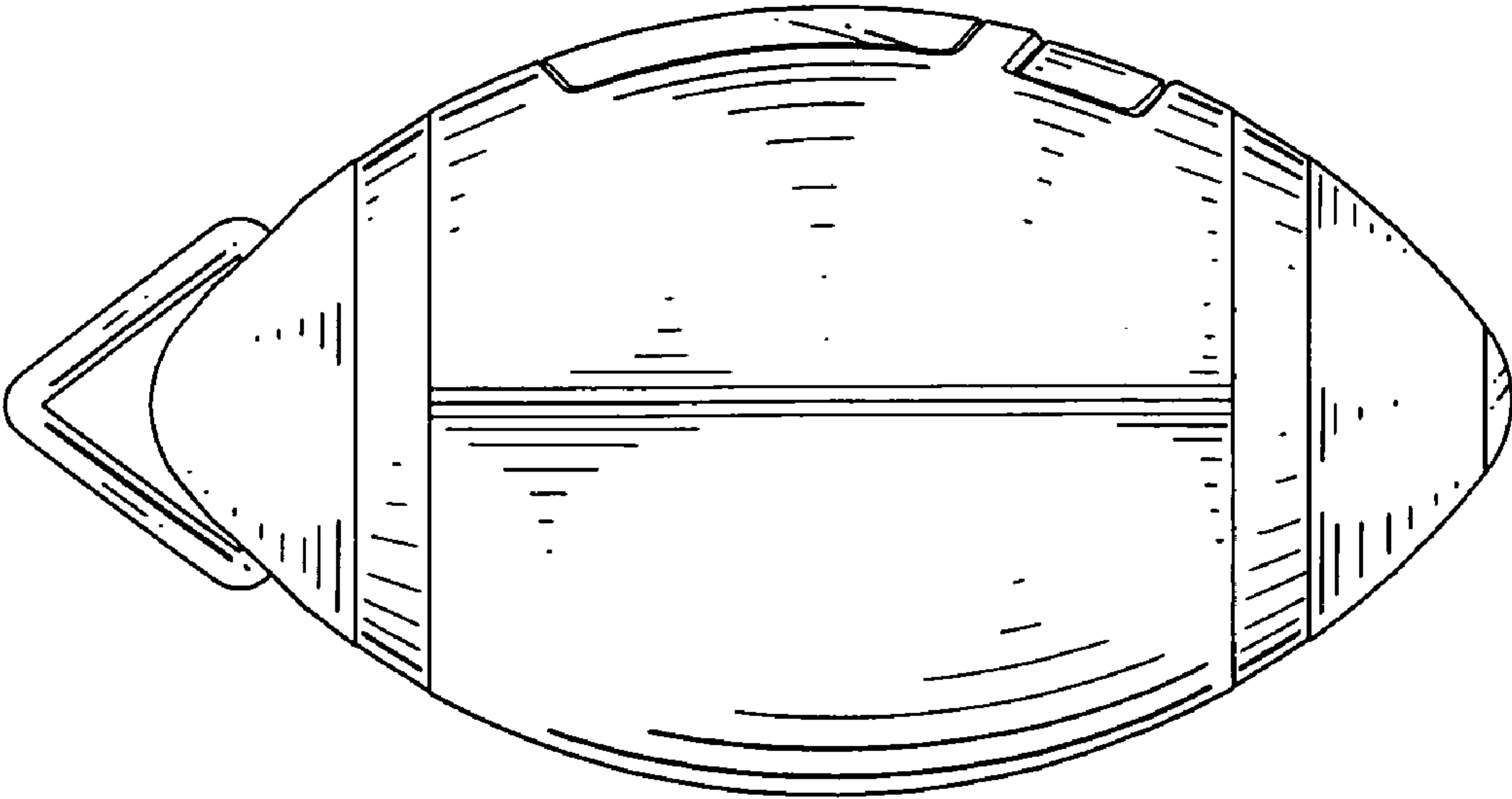


FIG. 7

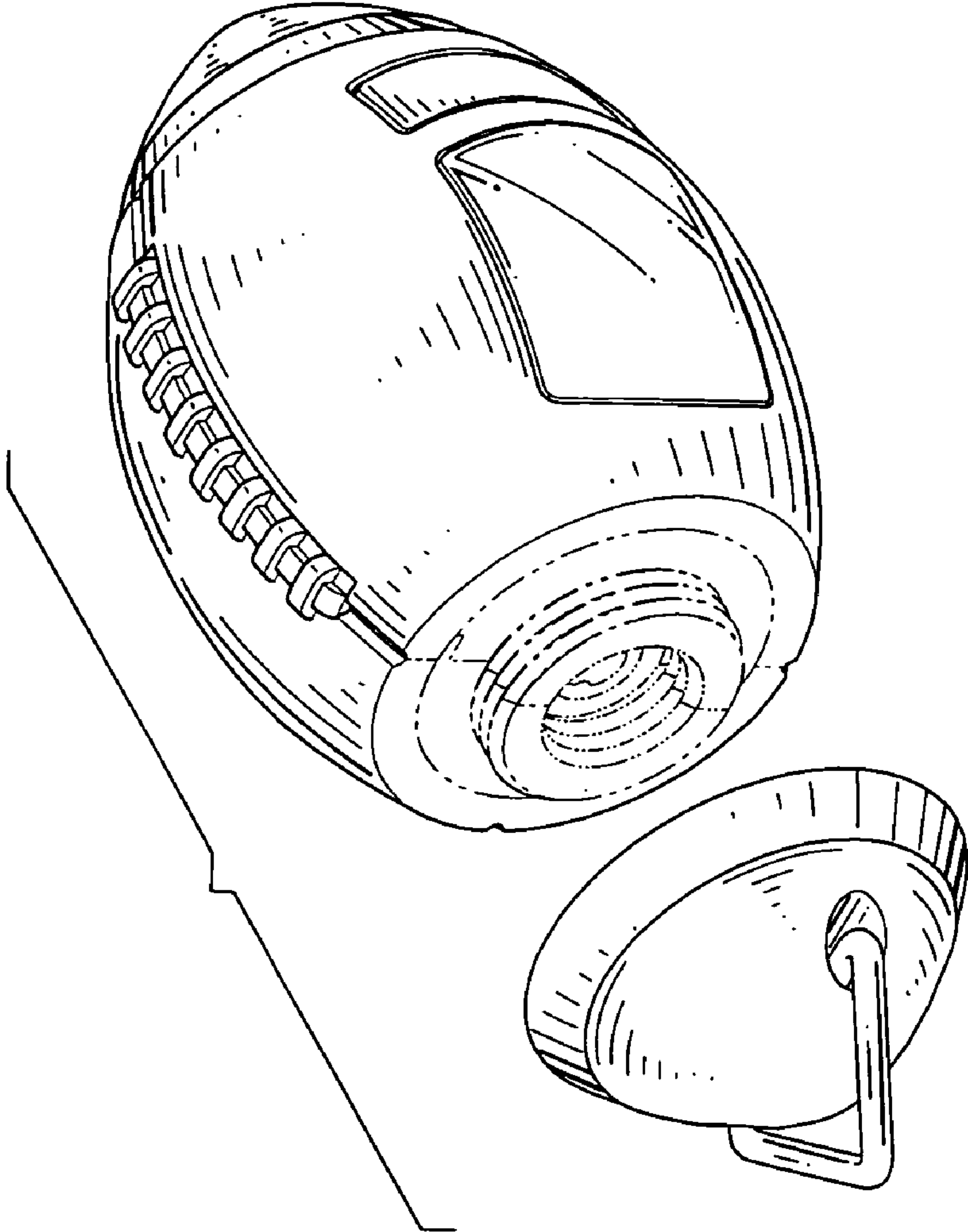


FIG.8