



US00D595601S

(12) **United States Design Patent**
Gallon

(10) **Patent No.:** **US D595,601 S**

(45) **Date of Patent:** **** Jul. 7, 2009**

(54) **MEASURING APPARATUS**

(75) Inventor: **Andrew Munro Gallon**, Southampton (GB)

(73) Assignee: **Insensys Limited**, Southampton Hampshire (GB)

(**) Term: **14 Years**

(21) Appl. No.: **29/306,476**

(22) Filed: **Apr. 10, 2008**

(51) **LOC (9) Cl.** **10-04**

(52) **U.S. Cl.** **D10/75**

(58) **Field of Classification Search** D10/46,
D10/75; 250/227.14; 356/432; 385/13,
385/123

See application file for complete search history.

(56) **References Cited**

U.S. PATENT DOCUMENTS

D180,192 S * 4/1957 Lindemann D10/75

D292,979 S * 12/1987 Chow D10/75

* cited by examiner

Primary Examiner—Antoine D Davis

(74) *Attorney, Agent, or Firm*—Renner, Otto, Boisselle & Sklar LLP.

(57) **CLAIM**

The ornamental design for a measuring apparatus, as shown and described.

DESCRIPTION

FIG. 1 is a perspective view of a measuring apparatus showing my new design.

FIG. 2 is a top view of the measuring apparatus.

FIG. 3 is a left side view of the measuring apparatus.

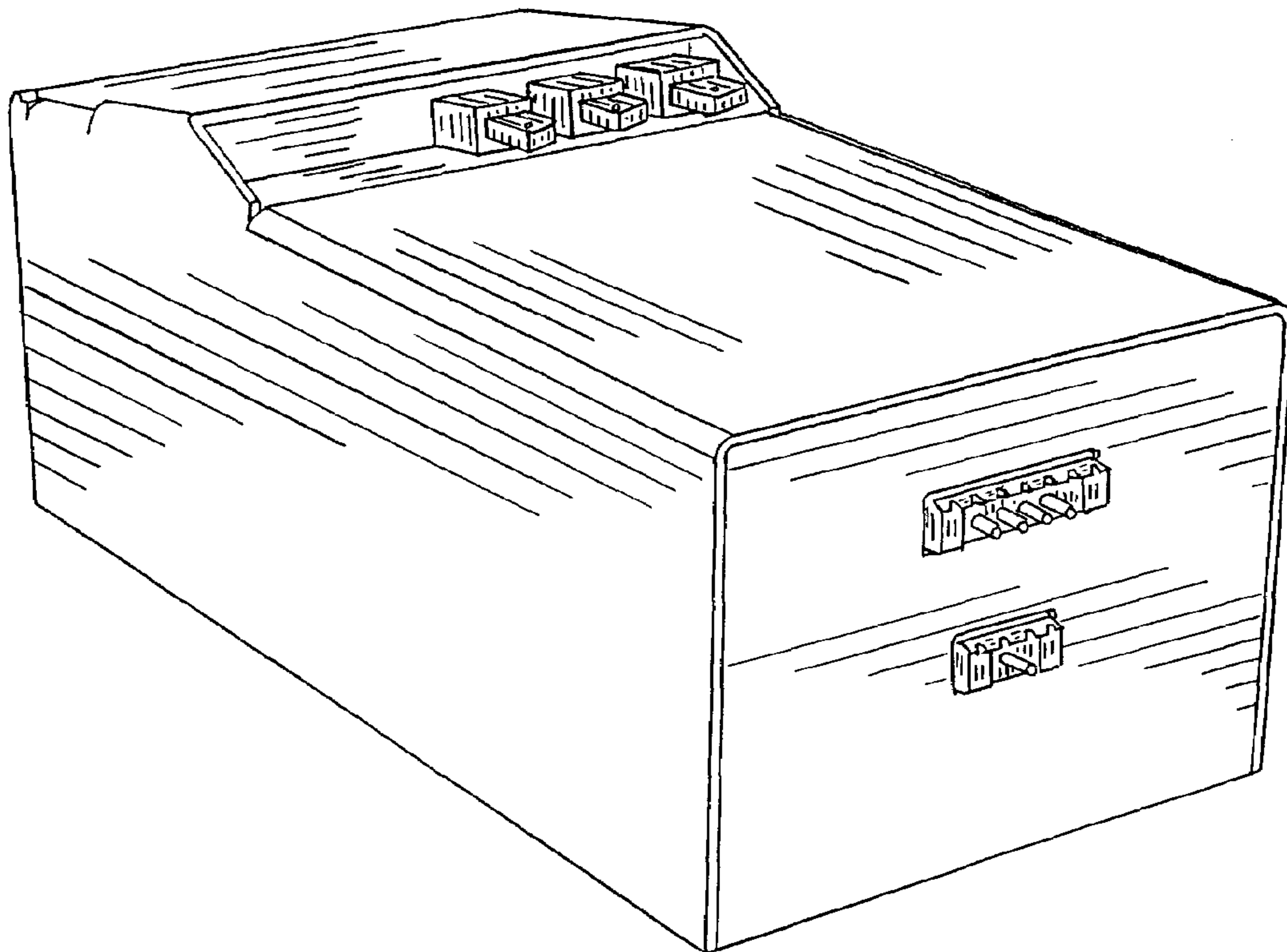
FIG. 4 is a right side view of the measuring apparatus.

FIG. 5 is a front end view of the measuring apparatus.

FIG. 6 is rear end view of the measuring apparatus; and,

FIG. 7 is a bottom view of the measuring apparatus.

1 Claim, 2 Drawing Sheets



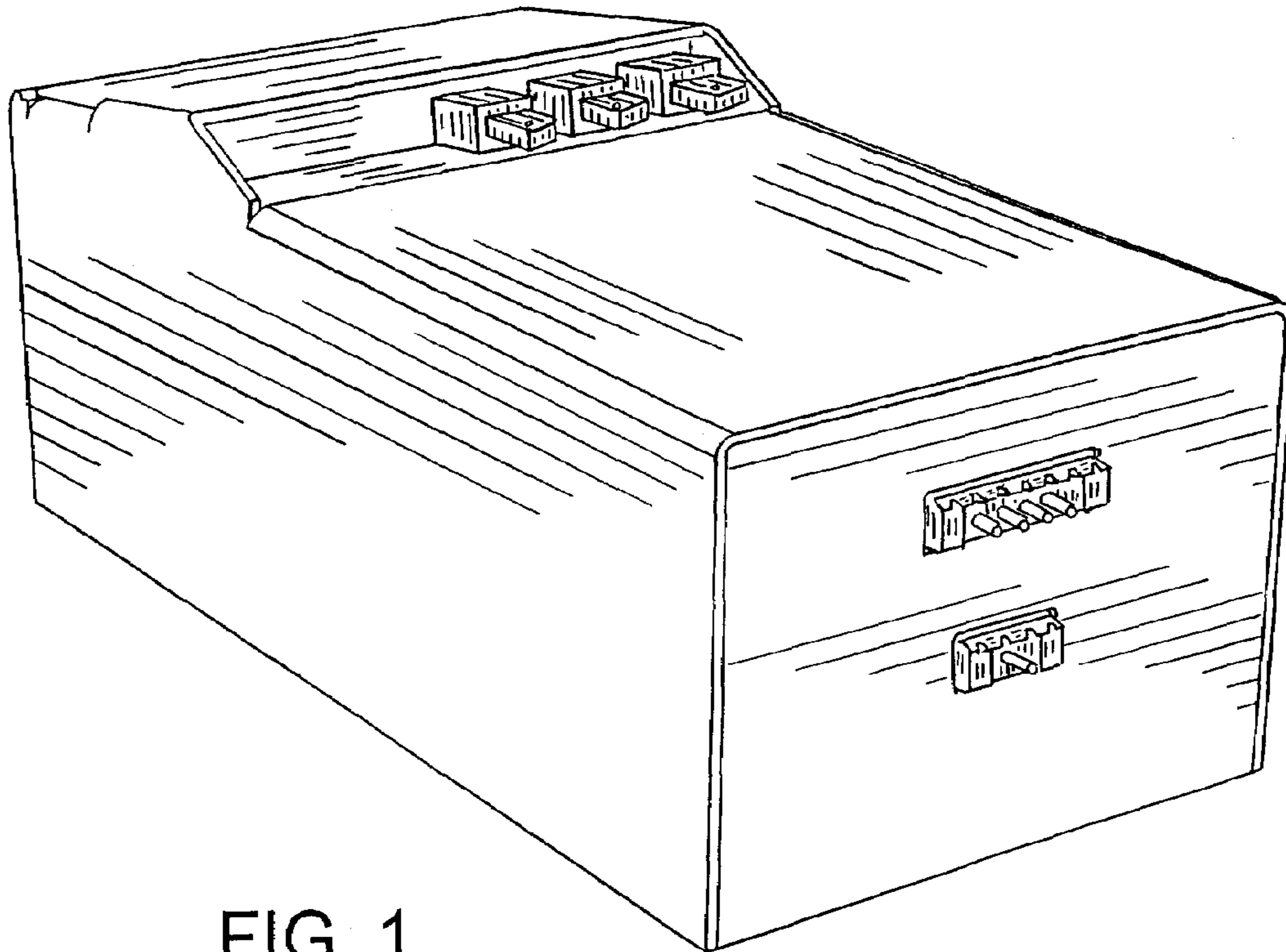


FIG. 1

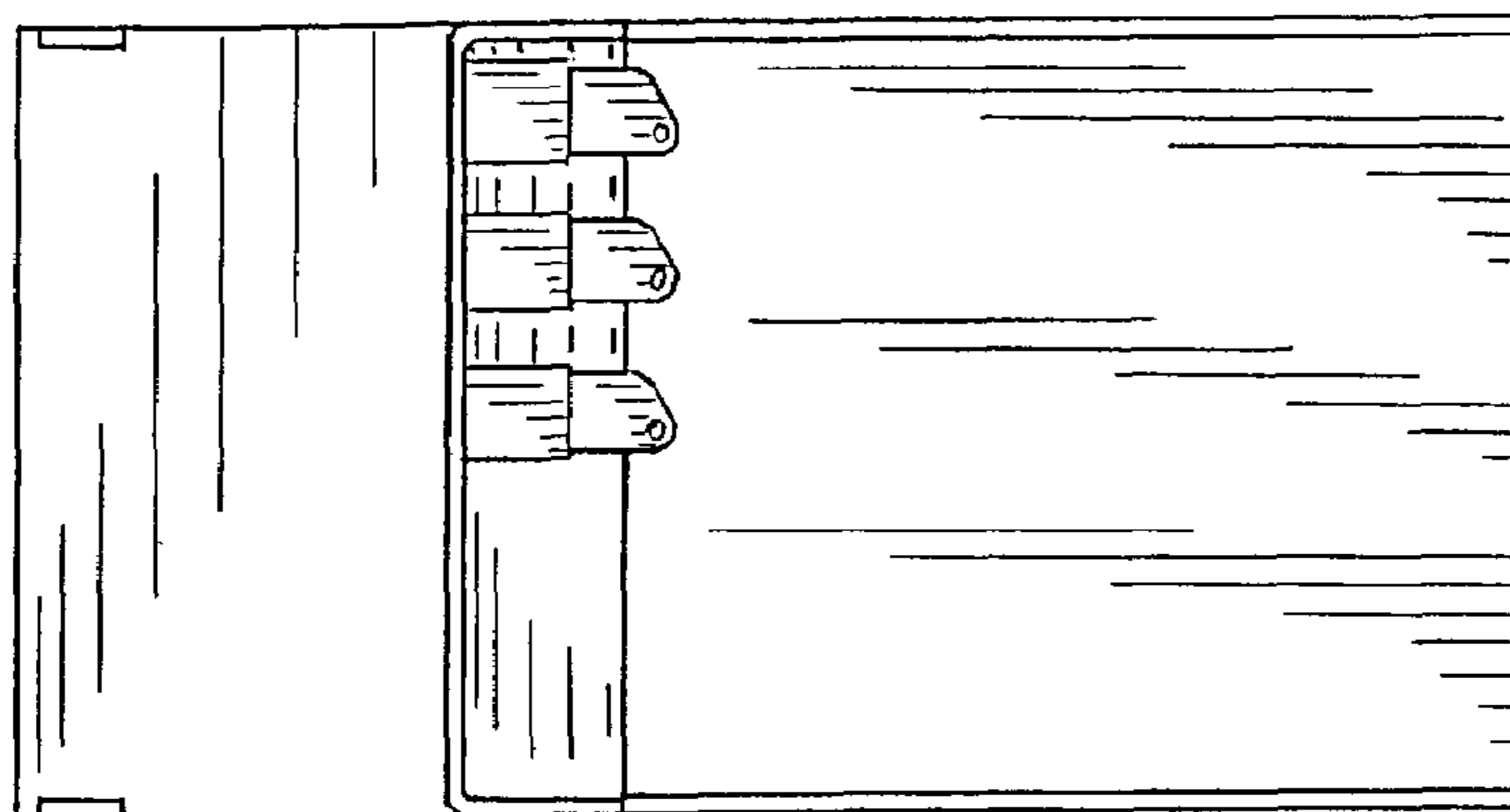


FIG. 2

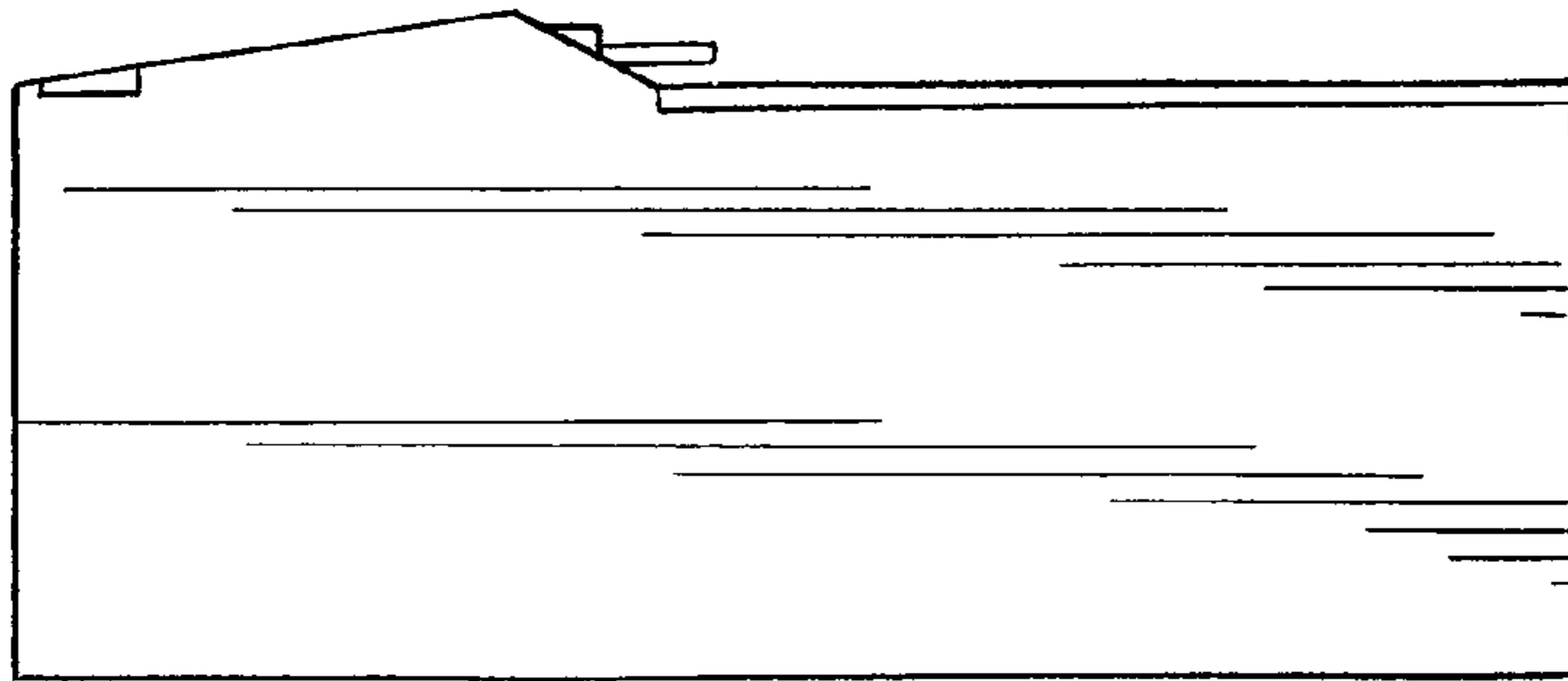


FIG. 3

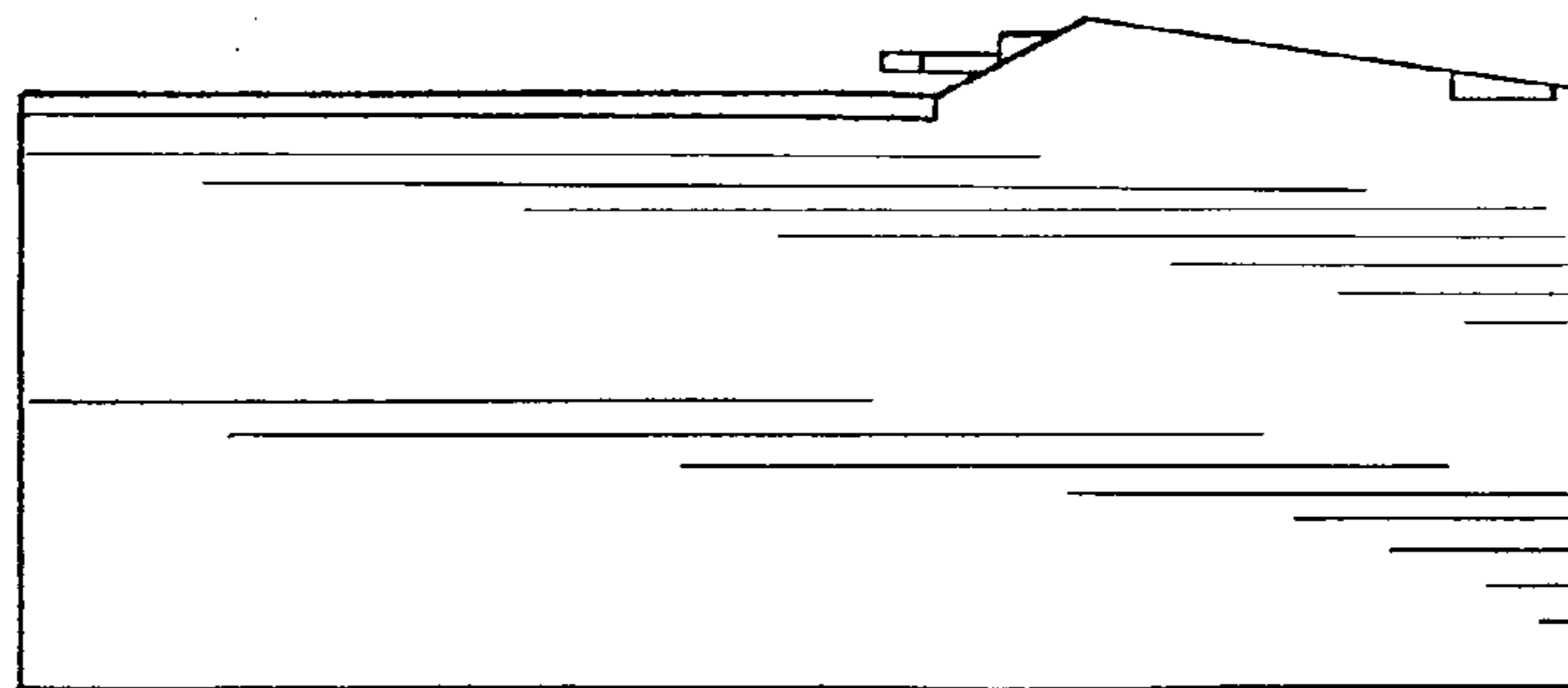


FIG. 4

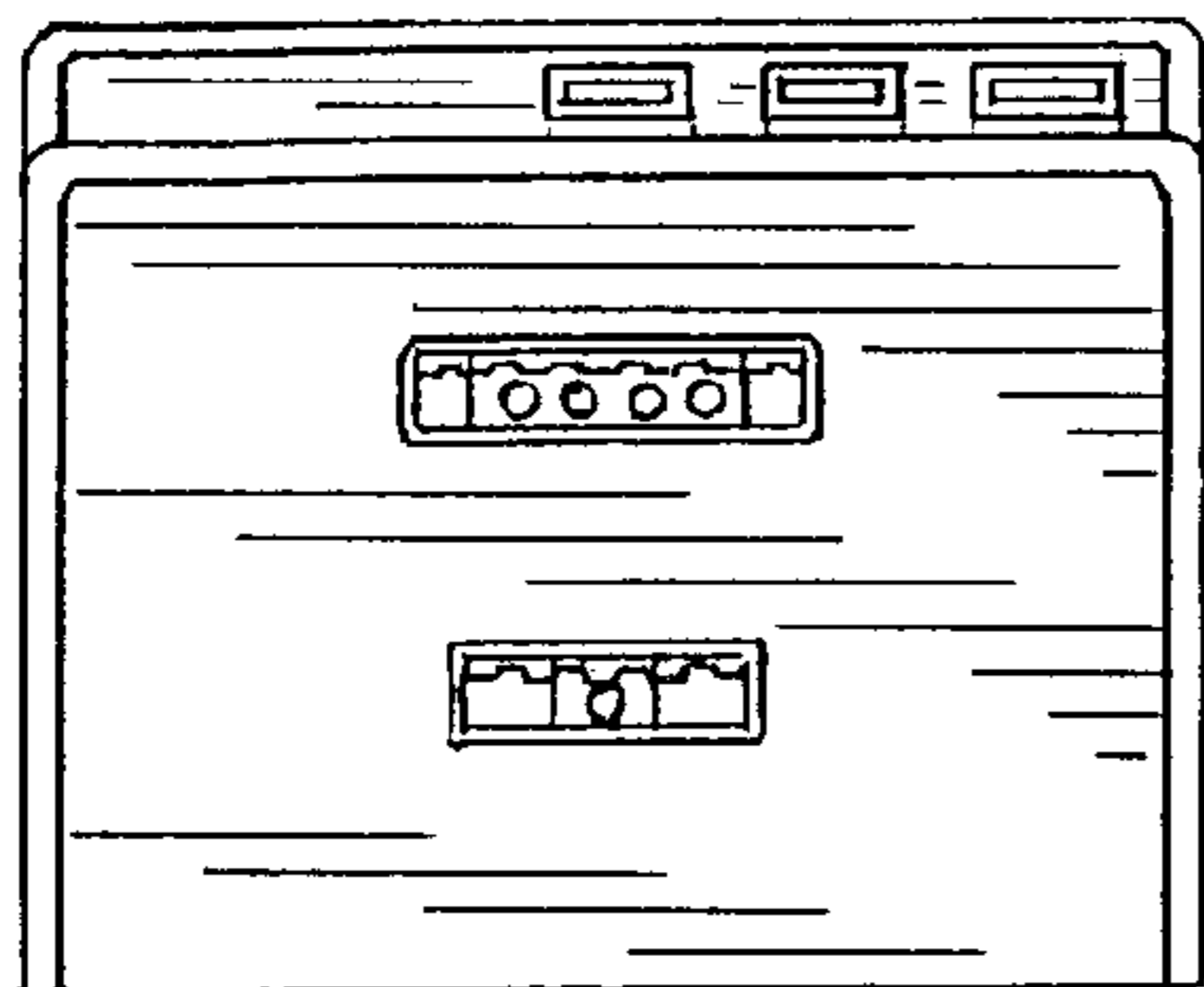


FIG. 5



FIG. 6

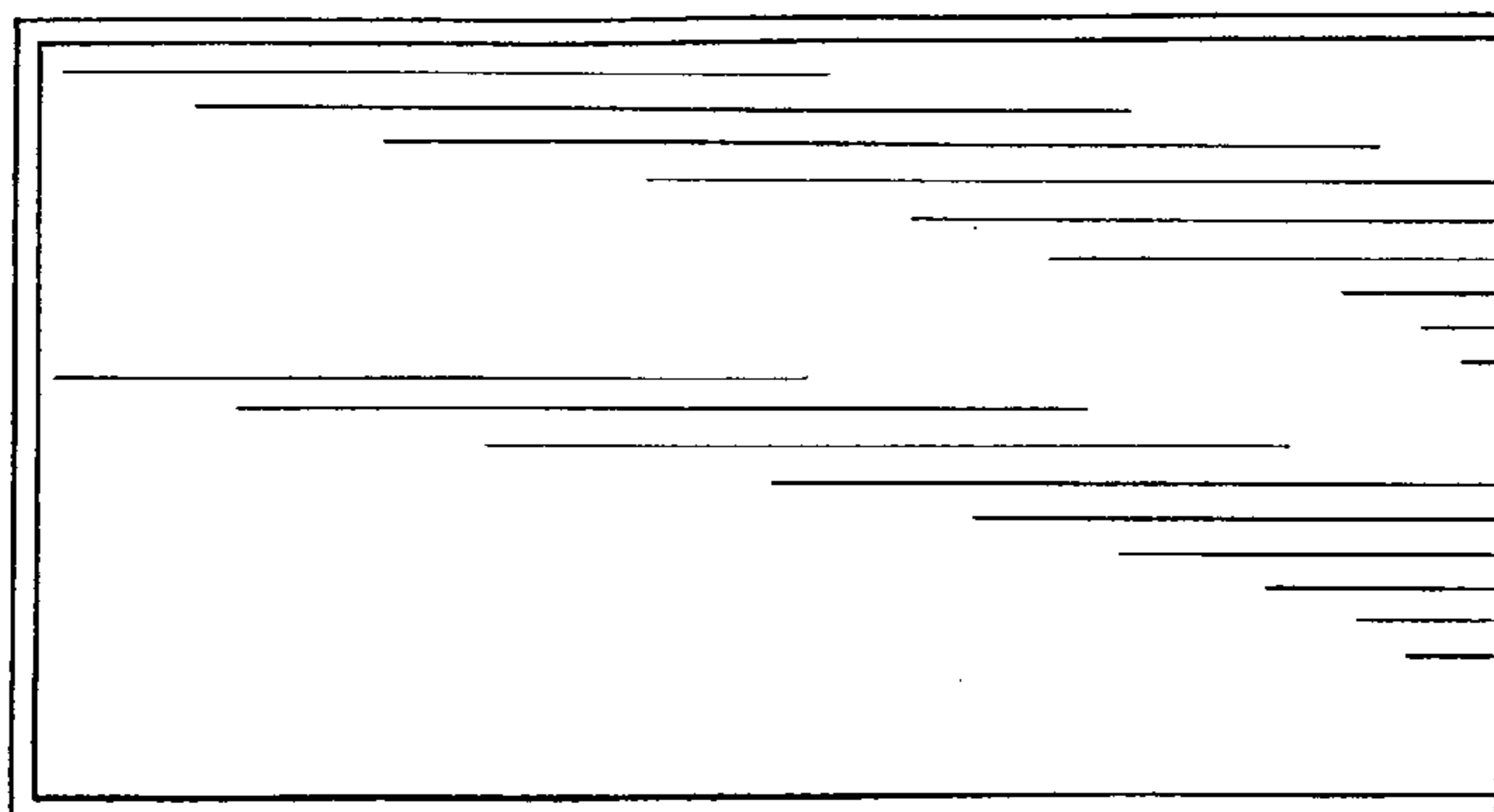


FIG. 7