



US00D595599S

(12) **United States Design Patent**
McHowell

(10) **Patent No.:** **US D595,599 S**

(45) **Date of Patent:** **** Jul. 7, 2009**

(54) **CARPENTER'S SPACER**

(76) Inventor: **James W. McHowell**, 51 Tacoma St.,
Hyde Park, MA (US) 02136

(**) Term: **14 Years**

(21) Appl. No.: **29/323,476**

(22) Filed: **Aug. 26, 2008**

(51) **LOC (9) Cl.** **10-04**

(52) **U.S. Cl.** **D10/65**

(58) **Field of Classification Search** D10/65;
33/562, 194, 476, 494

See application file for complete search history.

(56) **References Cited**

U.S. PATENT DOCUMENTS

4,499,666	A	2/1985	Smith	
D401,870	S	* 12/1998	Veggerby D10/65
5,931,208	A	* 8/1999	Gifkins 144/145.2
7,003,889	B1	* 2/2006	Luciani 33/194
D528,931	S	* 9/2006	Serpa D10/65
7,252,463	B2	* 8/2007	Valdez 33/562

* cited by examiner

Primary Examiner—Antoine D Davis
(74) *Attorney, Agent, or Firm*—Strategic Patents, P.C.

(57) **CLAIM**

The ornamental design for a carpenter's spacer, as shown and described.

DESCRIPTION

The present disclosure may be better understood and its numerous features and advantages made apparent to those skilled in the art by referencing the accompanying drawings. The broken lines showing portions of FIGS. 1–7 are for illustrative purposes only and form no part of the claimed design.

FIG. 1 is a perspective view of a design for a carpenter's spacer.

FIG. 2 is a front side view of the design.

FIG. 3 is a back side view of the design.

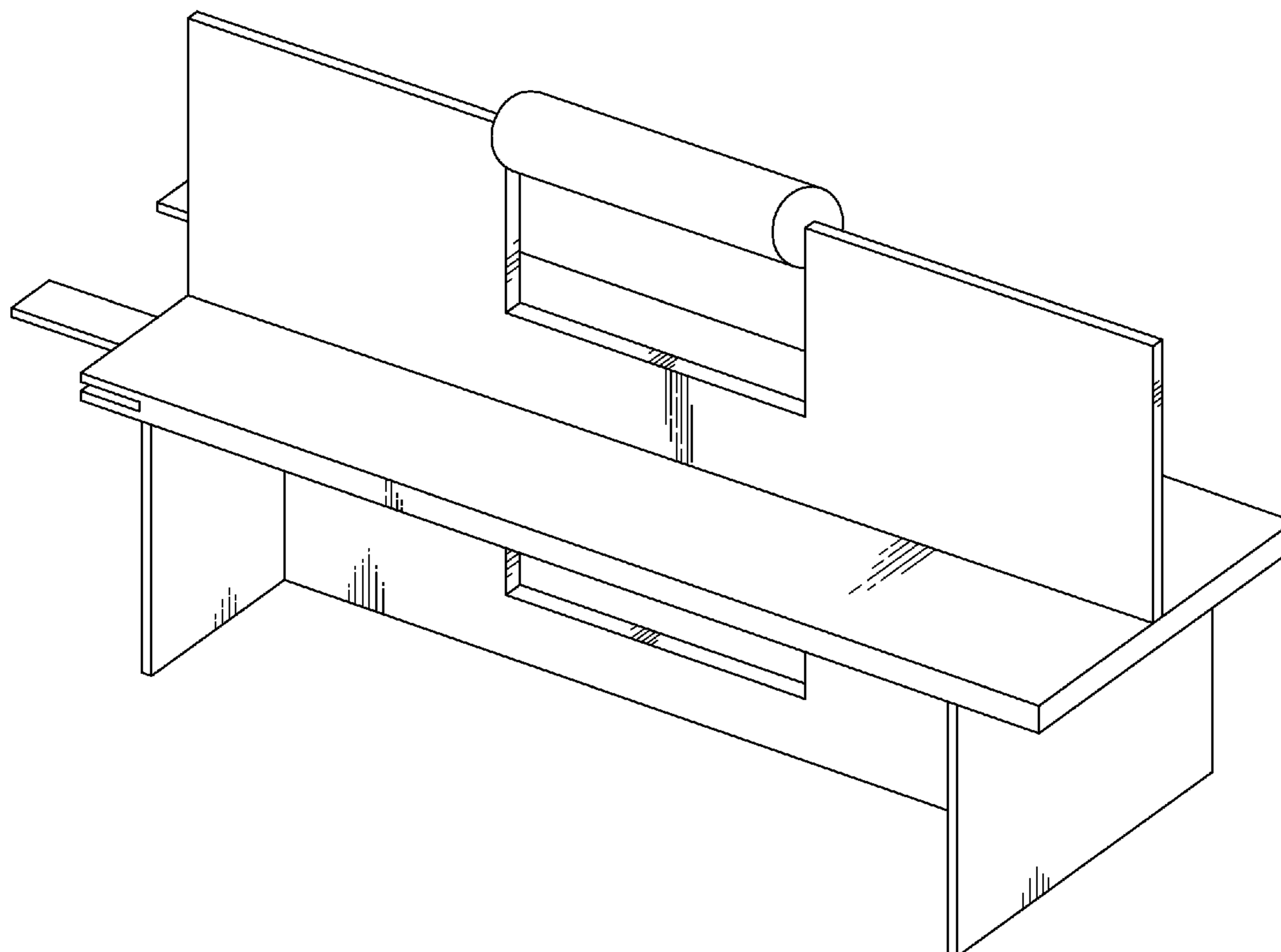
FIG. 4 is a right side view of the design.

FIG. 5 is a left side view of the design.

FIG. 6 is a top view of the design; and,

FIG. 7 is a bottom view of the design.

1 Claim, 5 Drawing Sheets



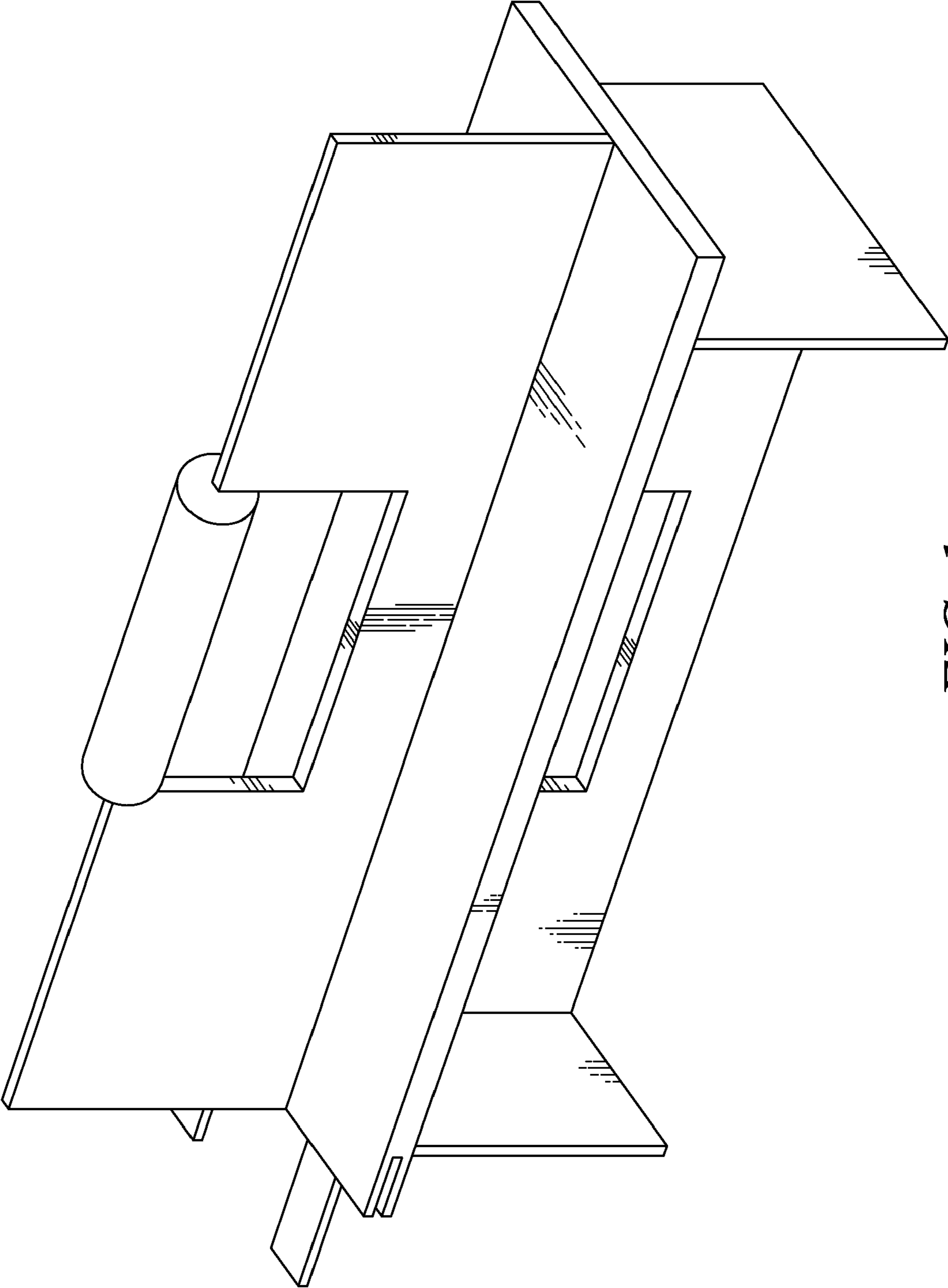


FIG. 1

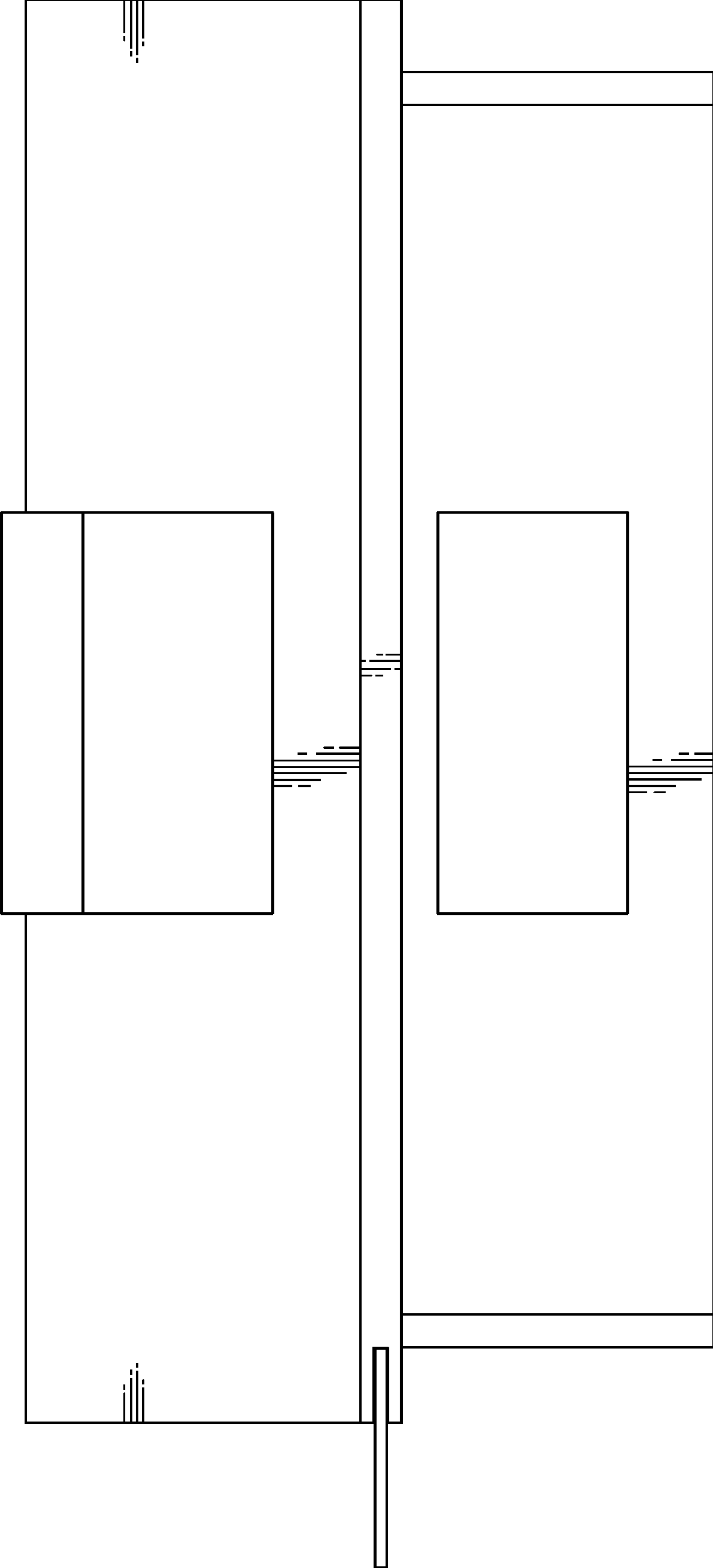


FIG. 2

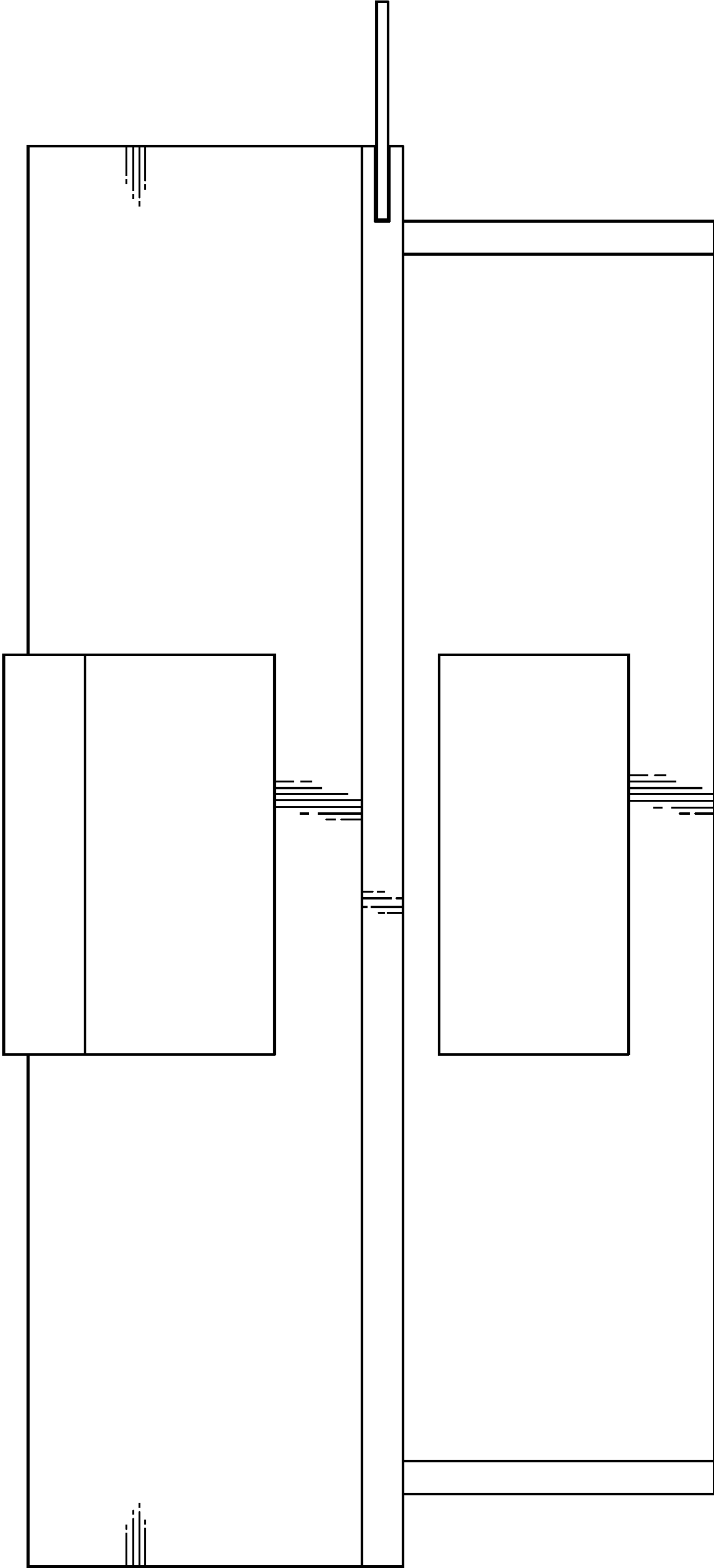


FIG. 3

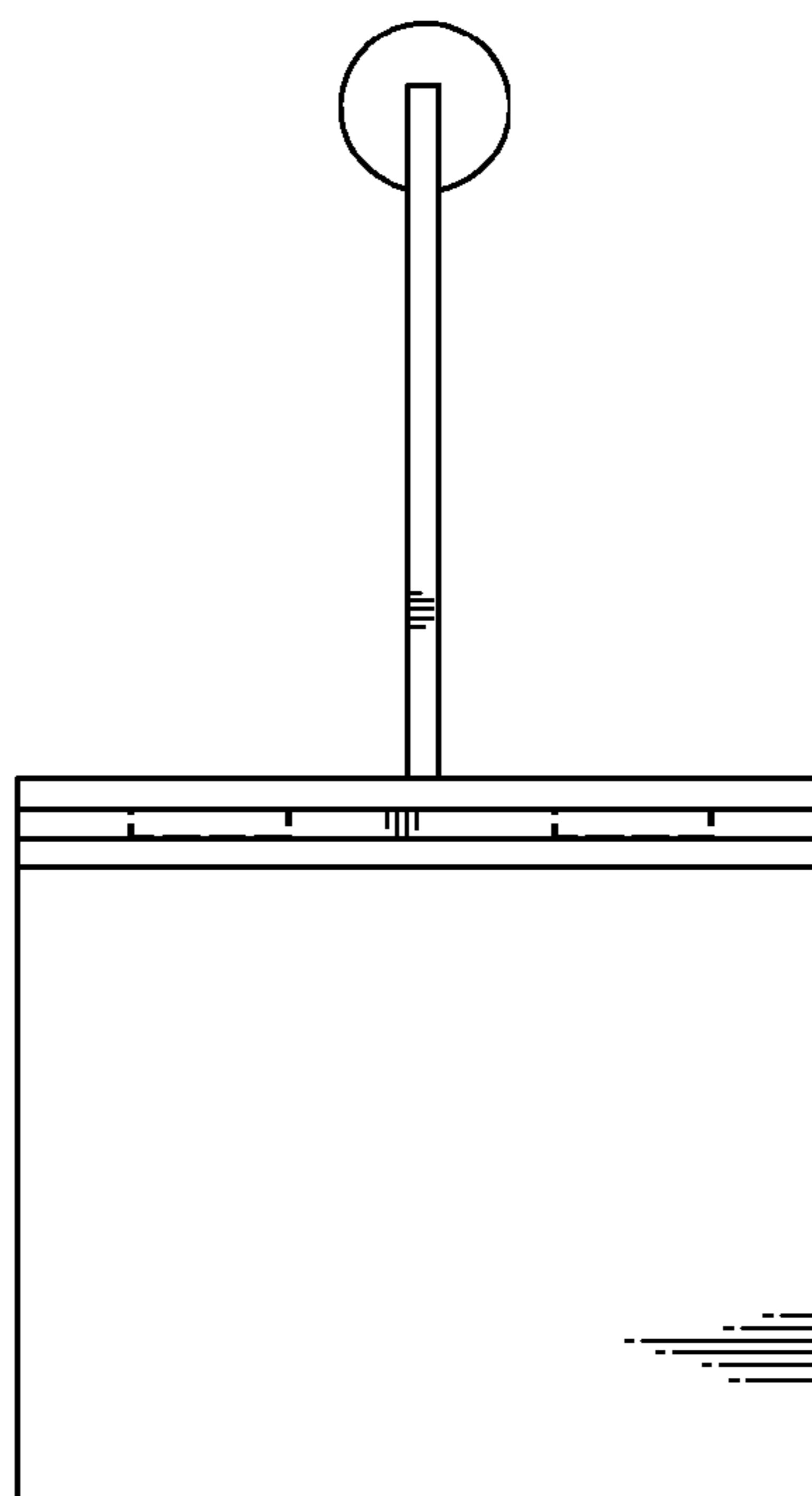


FIG. 4

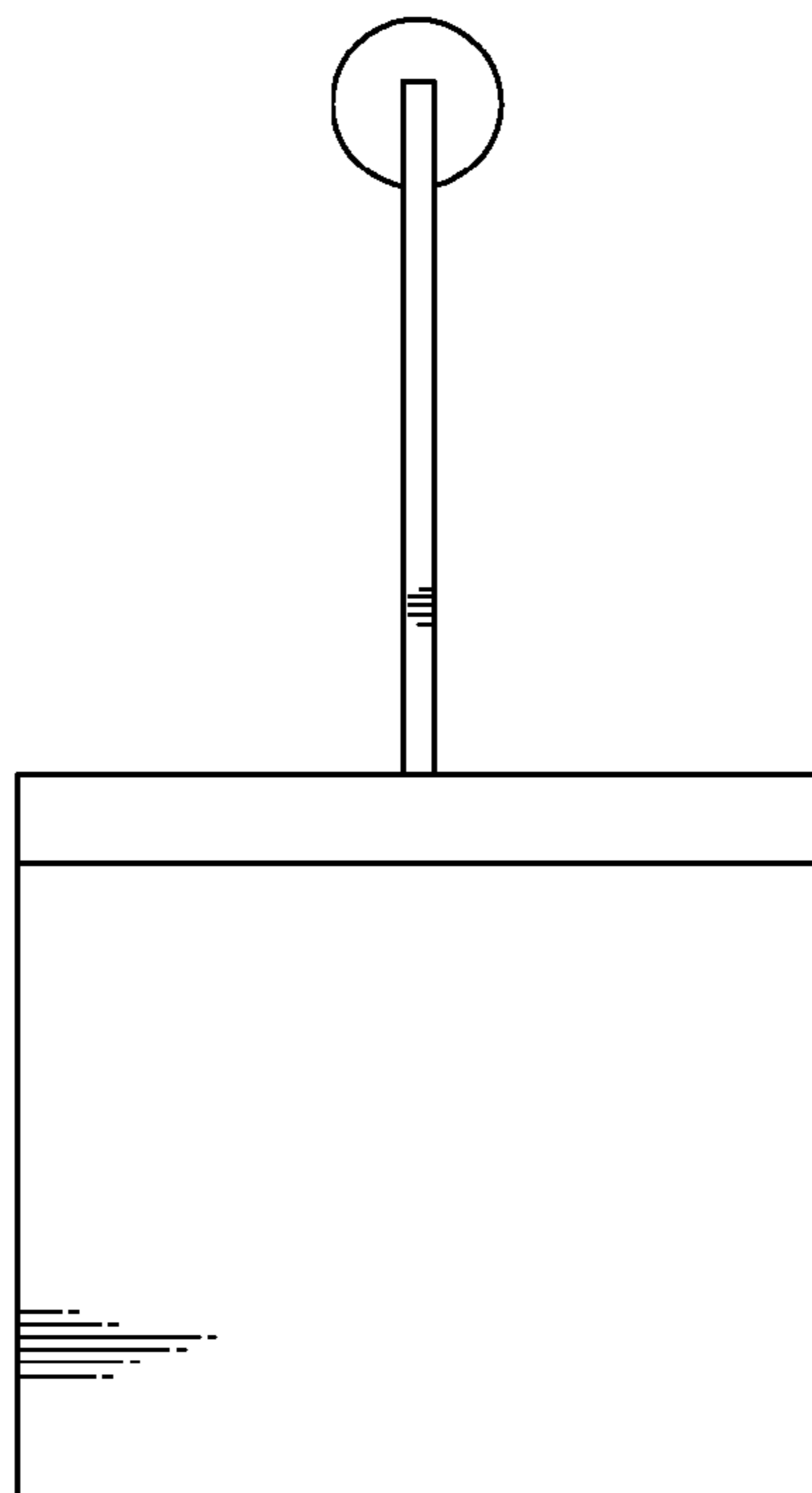


FIG. 5

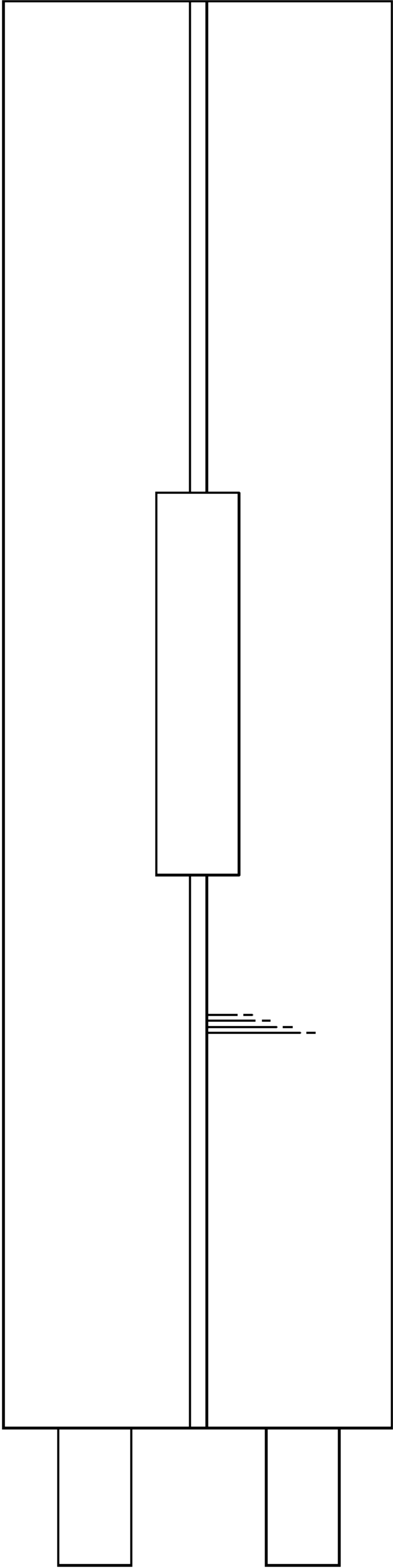


FIG. 6

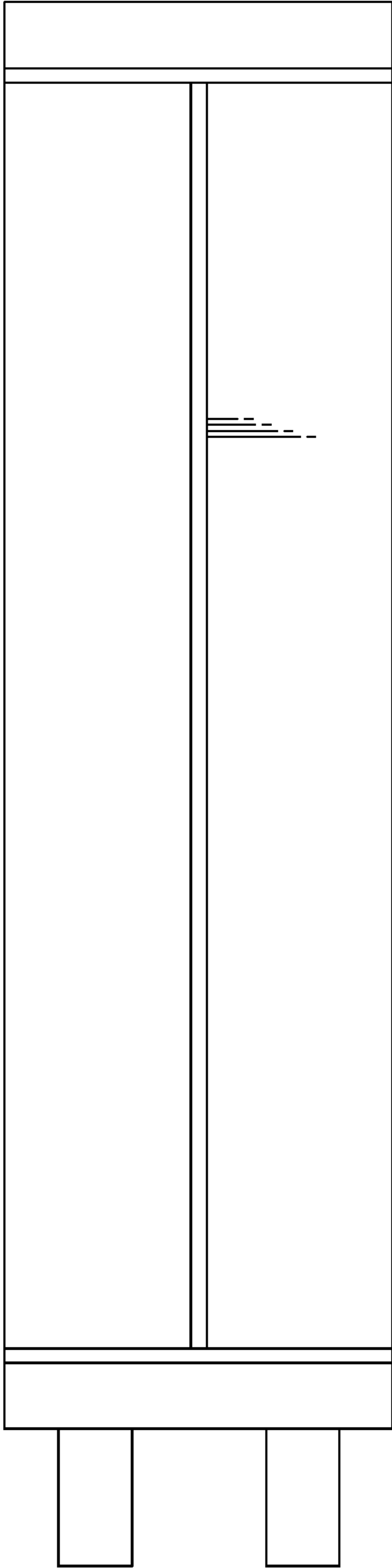


FIG. 7