



US00D595593S

(12) **United States Design Patent**
Schreiter et al.

(10) **Patent No.:** **US D595,593 S**
(45) **Date of Patent:** **** Jul. 7, 2009**

(54) **EVACUABLE, RESEALABLE BAG**

FOREIGN PATENT DOCUMENTS

(75) Inventors: **Michael E. Schreiter**, Appleton, WI (US); **Mladomir Tomic**, Appleton, WI (US); **Paul A. Tilman**, Sherwood, WI (US); **Paul J. Tretina**, Glen Allen, VA (US)

WO WO 2004/002840 A1 1/2004

(Continued)

(73) Assignee: **Reynolds Foil Inc.**, Richmond, VA (US)

Primary Examiner—Caron Veynar
Assistant Examiner—Abraham Bahta
(74) *Attorney, Agent, or Firm*—Greenberg Traurig LLP

(**) Term: **14 Years**

(57) **CLAIM**

(21) Appl. No.: **29/250,136**

The ornamental design for an evacuable, resealable bag, as shown and described.

(22) Filed: **Nov. 3, 2006**

DESCRIPTION

(51) **LOC (9) Cl.** **09-05**

FIG. 1 is a perspective view of the evacuable, resealable bag, showing an embodiment of the present design;

(52) **U.S. Cl.** **D9/709**

FIG. 2 is a front elevation view of the embodiment of the present design illustrated in FIG. 1;

(58) **Field of Classification Search** D9/704–710, D9/713–714, 720–722, 430–433, 414, 418, D9/424; 383/103, 107, 114, 200, 203, 205, 383/84, 113, 45, 47, 100, 108; 229/200, 229/87.06, 87.08; 426/106

FIG. 3 is a rear elevation view of the embodiment of the present design illustrated in FIG. 1;

See application file for complete search history.

FIG. 4 is a right elevation view of the embodiment of the present design illustrated in FIG. 1;

(56) **References Cited**

FIG. 5 is a left elevation view of the embodiment of the present design illustrated in FIG. 1;

U.S. PATENT DOCUMENTS

D103,446 S	3/1937	Amend	
3,123,279 A *	3/1964	Day	383/102
4,266,692 A *	5/1981	Clark	222/94
D386,671 S	11/1997	Park	
5,881,881 A	3/1999	Carrington	
5,996,800 A	12/1999	Pratt	
D421,307 S	2/2000	Harmanoglu	
6,279,581 B1	8/2001	Knepper	
D467,170 S *	12/2002	Kinigakis et al.	D9/709
6,550,966 B1	4/2003	Saad	
6,932,509 B2	8/2005	Ketan	
6,964,519 B2	11/2005	ErkenBrack	
D513,192 S *	12/2005	Lin	D9/702
6,983,845 B2	1/2006	Shah	
7,004,632 B2	2/2006	Hamilton	
7,137,738 B2	11/2006	Shah	
D545,217 S *	6/2007	Jeric et al.	D9/709
D555,009 S	11/2007	Lin	

FIG. 6 is a top plan view of the embodiment of the present design illustrated in FIG. 1;

FIG. 7 is a bottom plan view of the embodiment of the present design illustrated in FIG. 1.

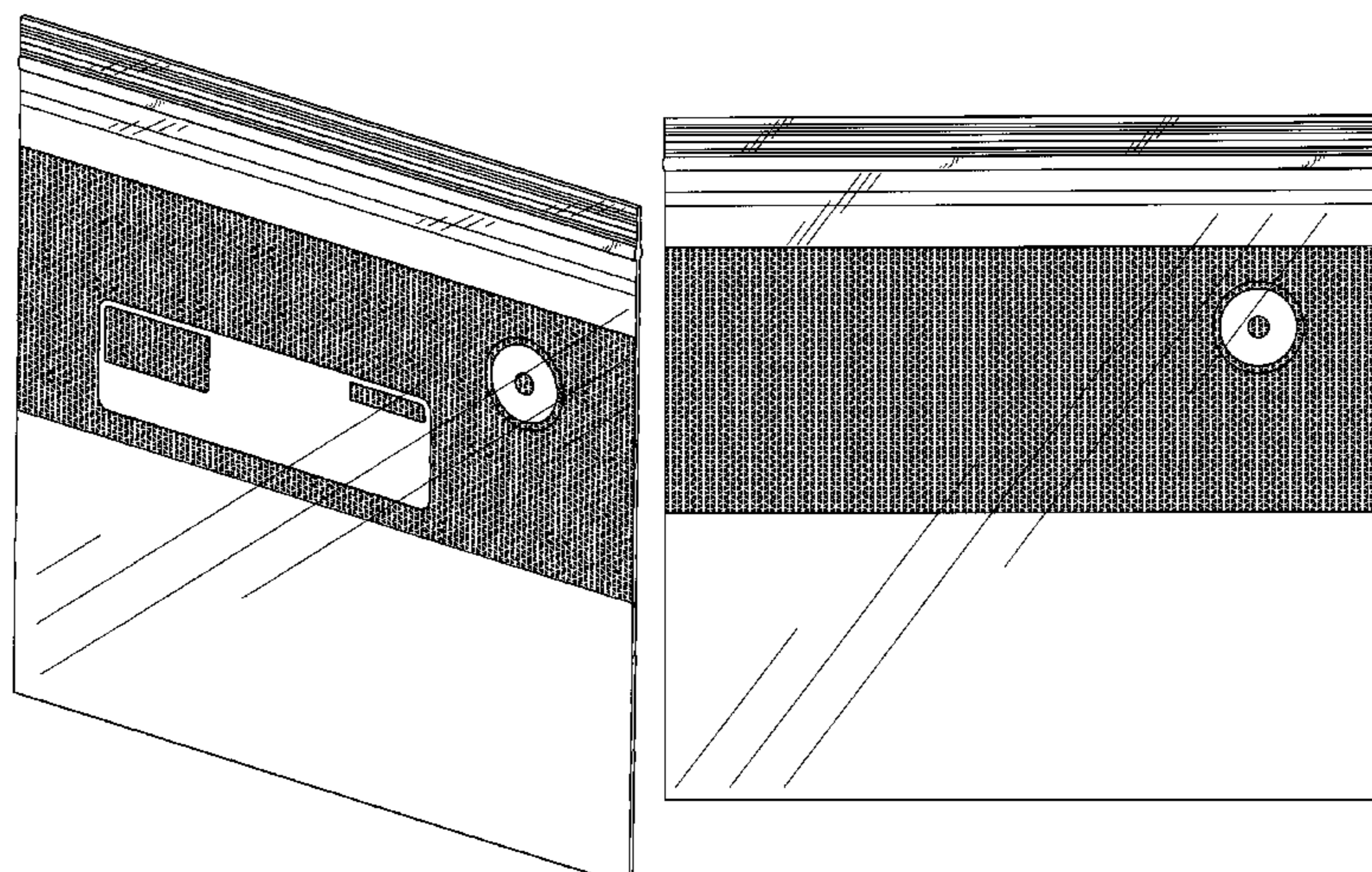
FIG. 8 is an exploded perspective view of the present design illustrated in FIG. 1;

FIG. 9 is a front elevation view of a second embodiment of the present design without a writing surface;

FIG. 10 is a rear elevation view of a third embodiment of the present design wherein the writing surface is on the rear of the bag; and,

FIG. 11 is a front elevation view of a fourth embodiment of the present design illustrating an alternative valve location.

1 Claim, 9 Drawing Sheets



US D595,593 S

Page 2

U.S. PATENT DOCUMENTS

2004/0114837 A1 6/2004 Yoshihiro
2005/0025396 A1 2/2005 ErkenBrack
2005/0079308 A1 4/2005 Tanaka
2005/0172577 A1 8/2005 Oltrogge
2005/0244083 A1 11/2005 McMahon
2005/0286808 A1 12/2005 Zimmerman
2006/0048483 A1 3/2006 Tilman
2006/0182371 A1 8/2006 Borchardt
2006/0280387 A1 12/2006 Zimmerman

2006/0280388 A1 12/2006 Zimmerman
2006/0280389 A1 12/2006 Zimmerman
2006/0283148 A1 12/2006 Zimmerman

FOREIGN PATENT DOCUMENTS

WO WO 2004/002841 A1 1/2004
WO WO 2004/002850 A1 1/2004
WO WO 2005/000706 A1 1/2005
WO WO 2007/001469 A1 1/2007

* cited by examiner

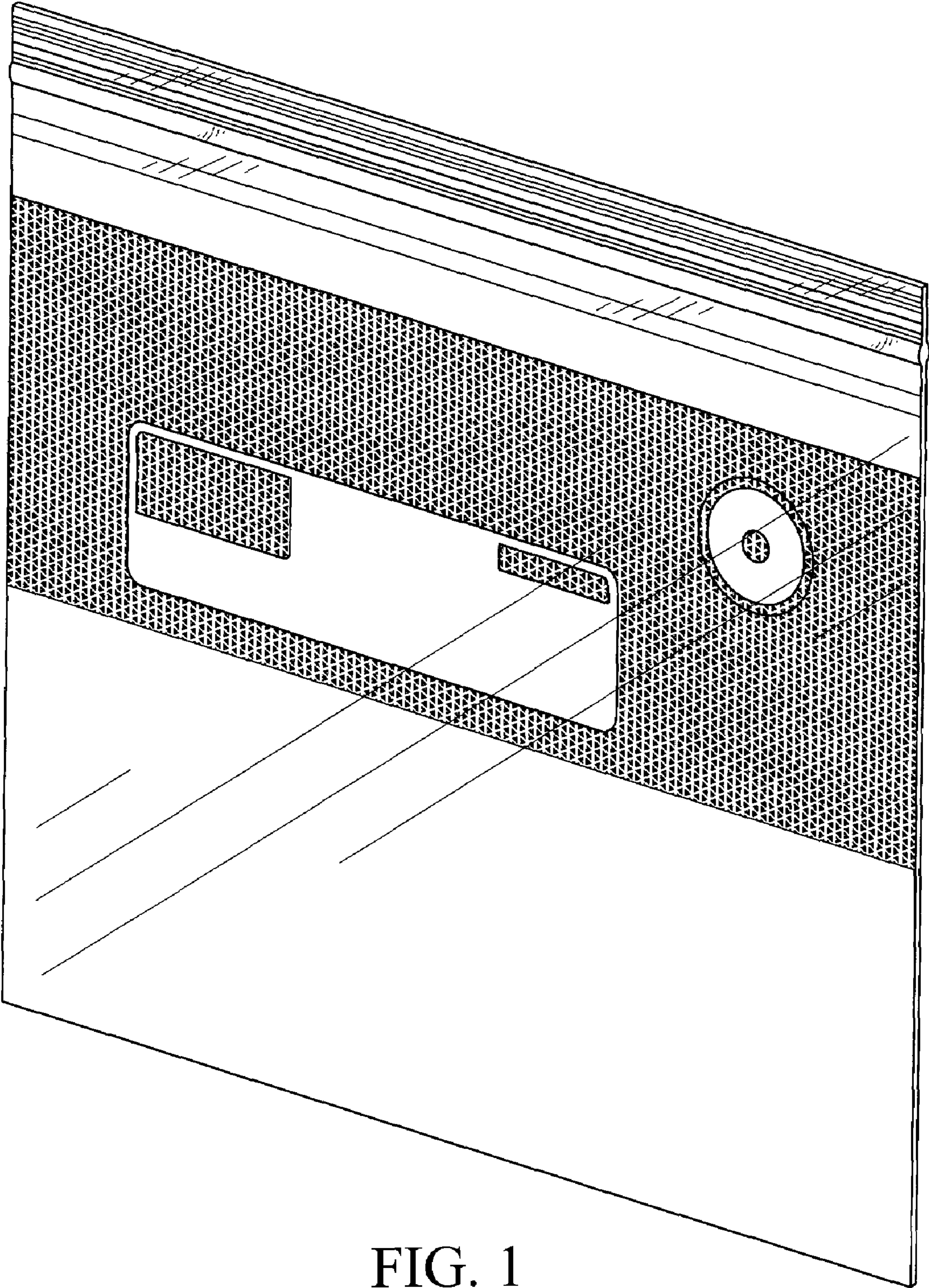


FIG. 1

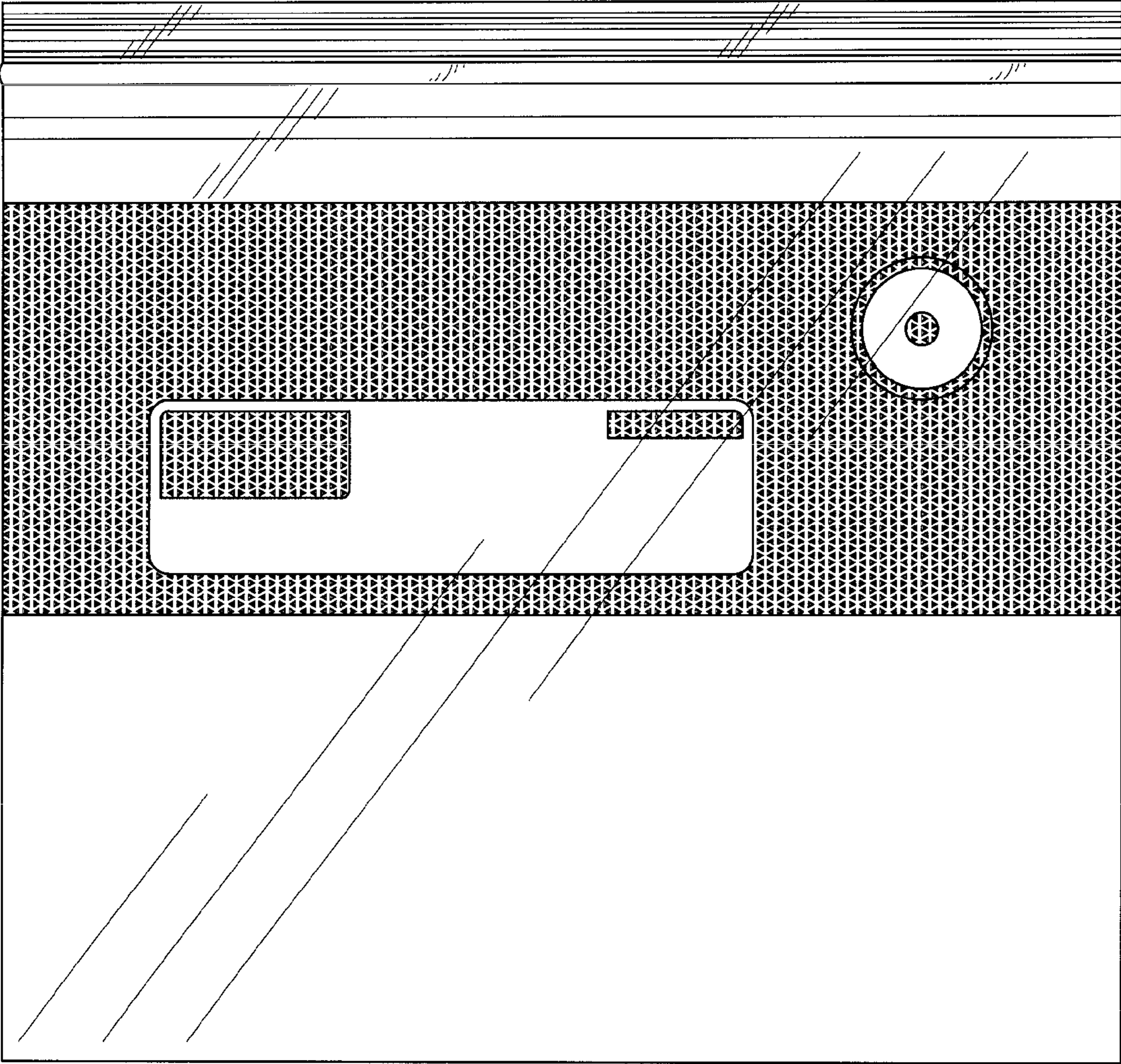


FIG. 2

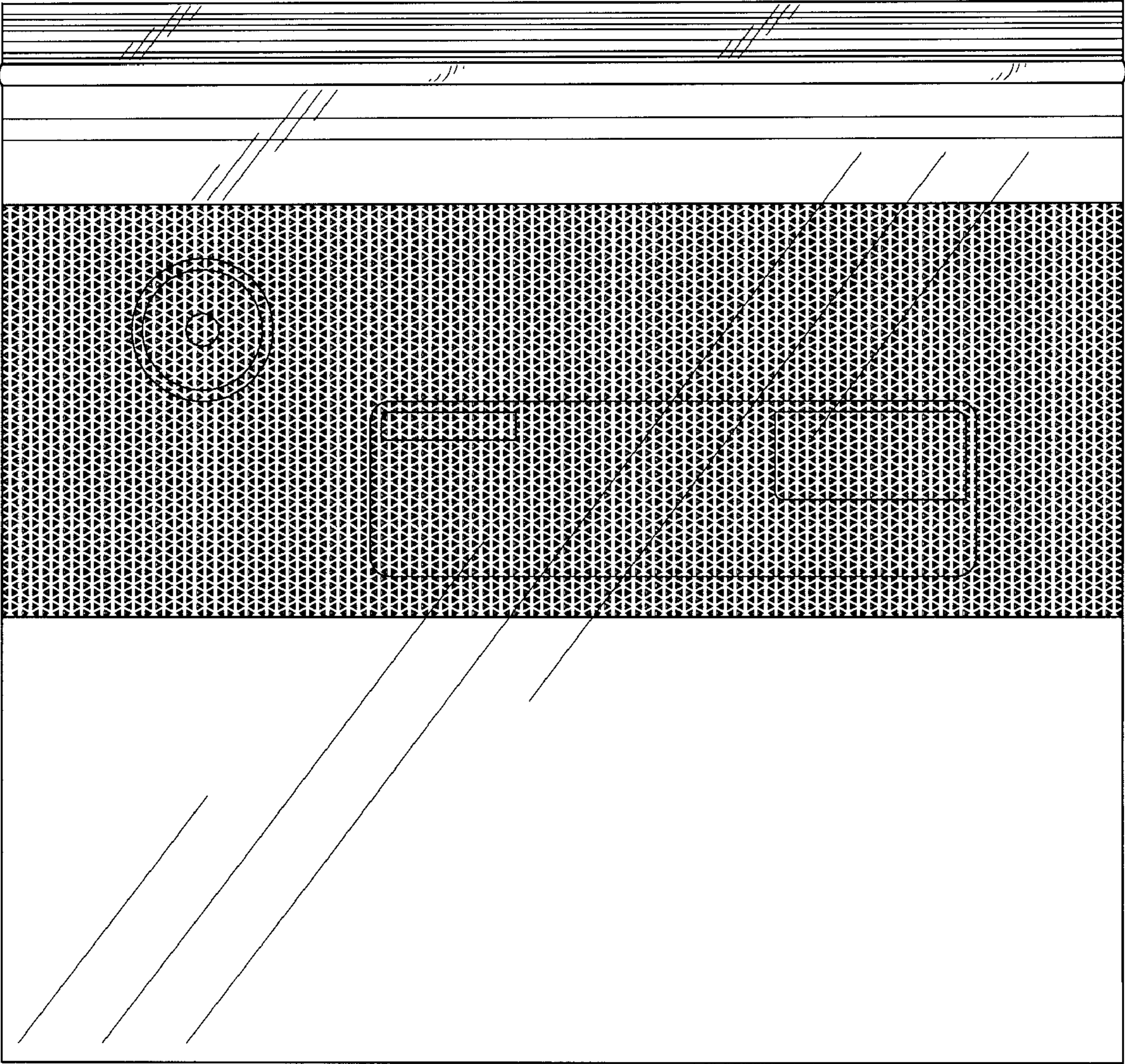


FIG. 3



FIG. 4



FIG. 5

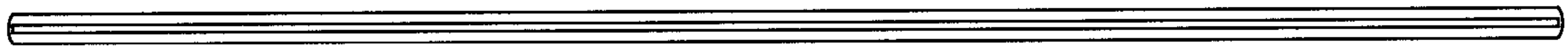


FIG. 6

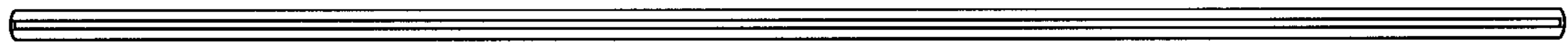


FIG. 7

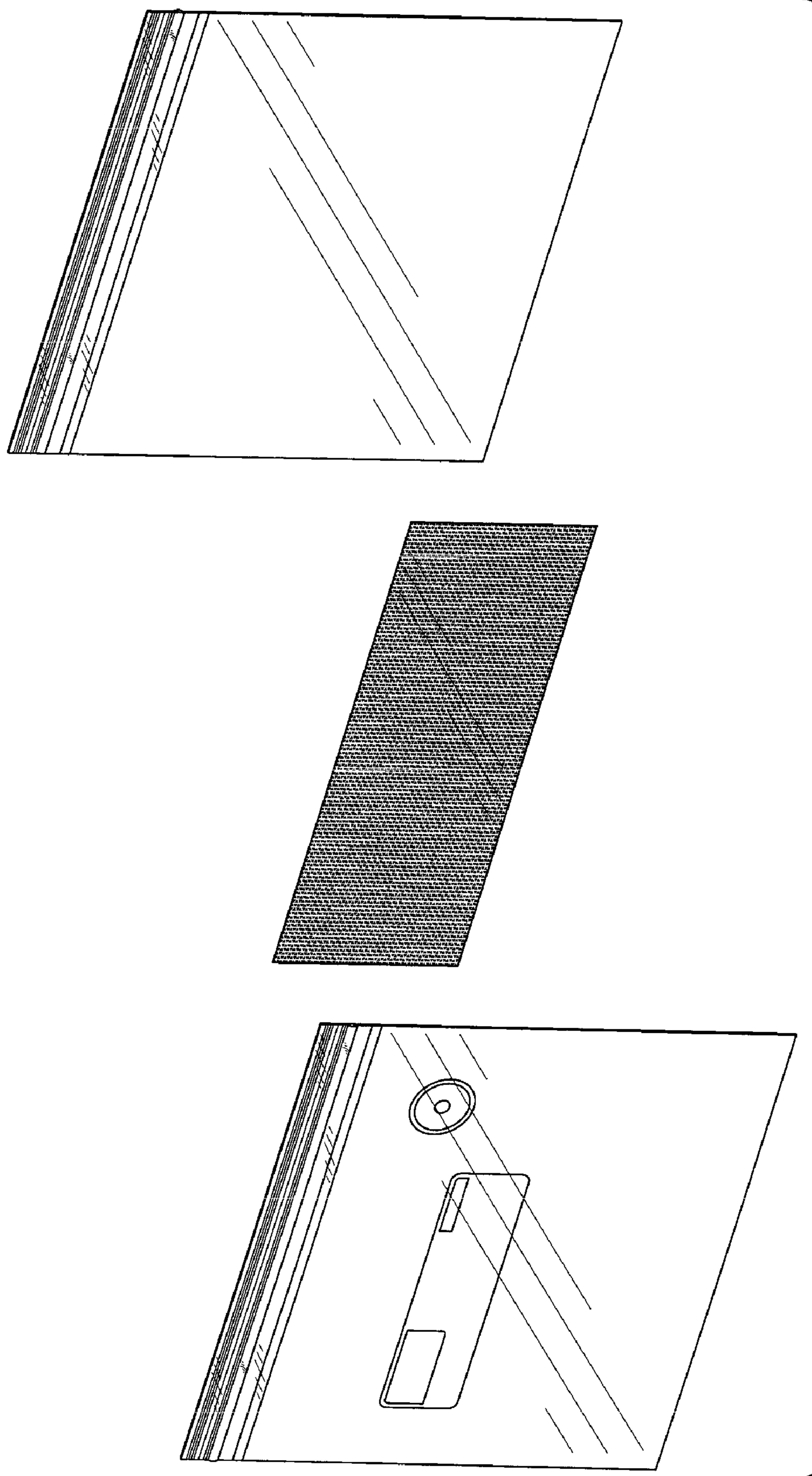


FIG. 8

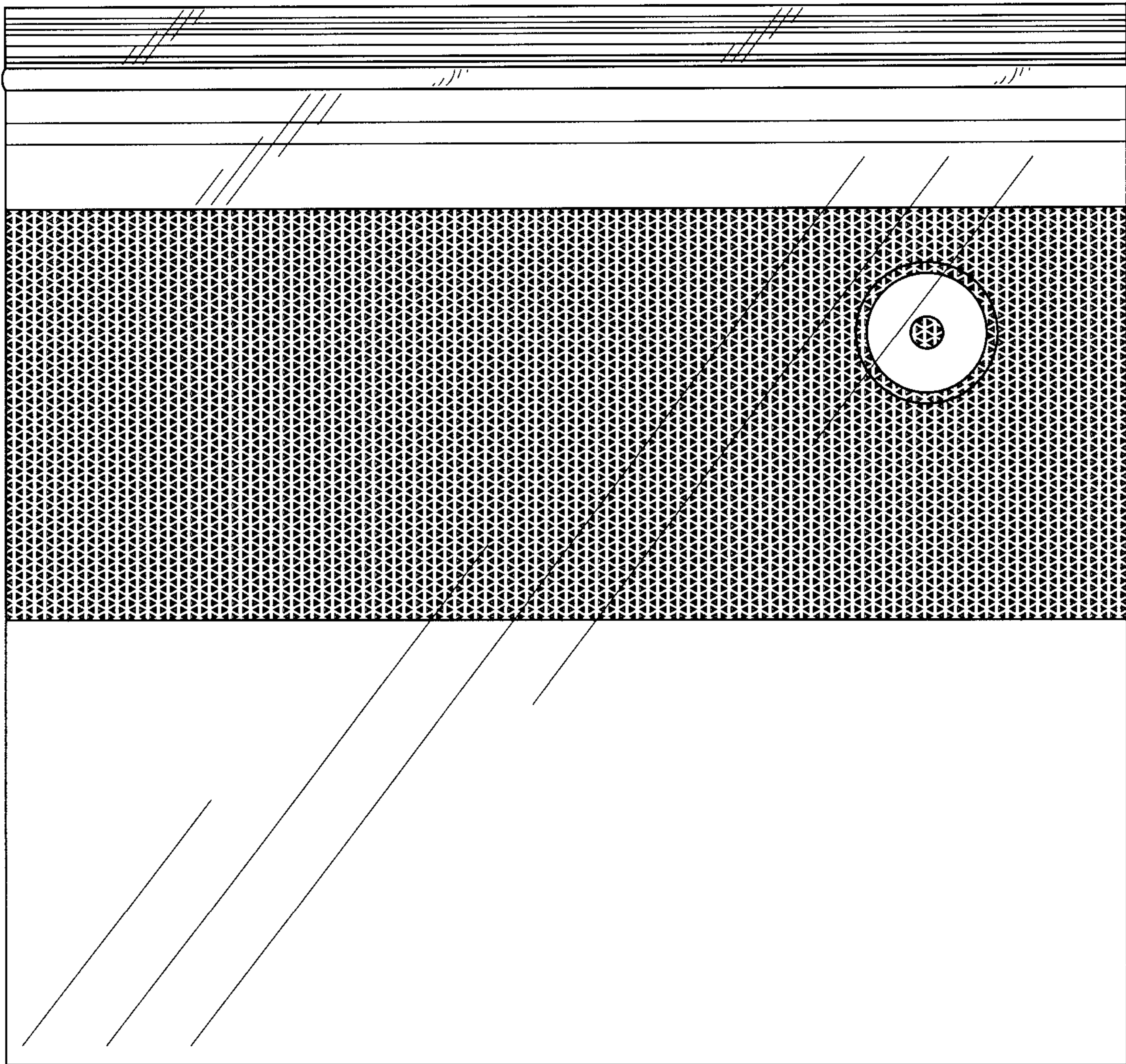


FIG. 9

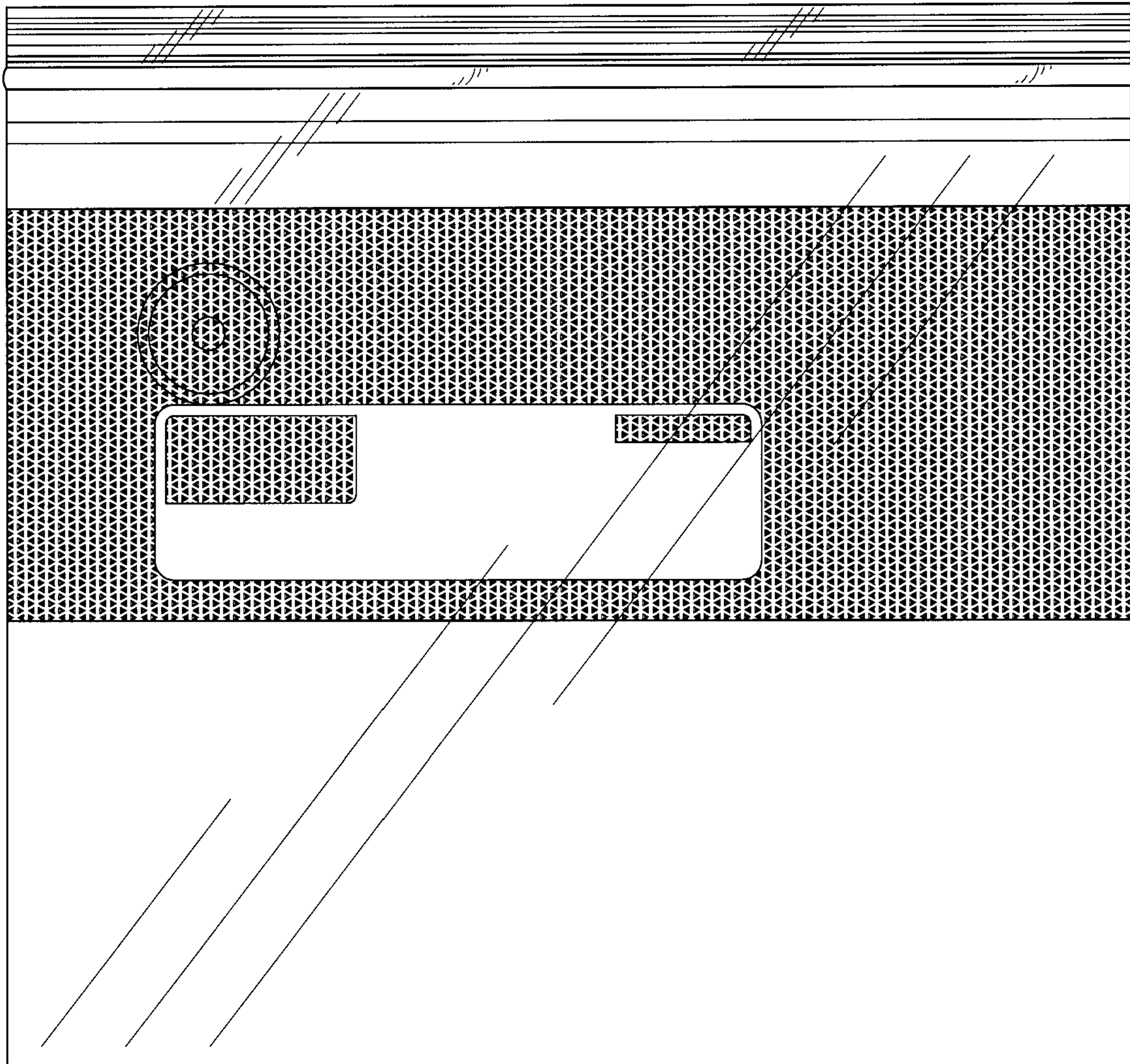


FIG. 10

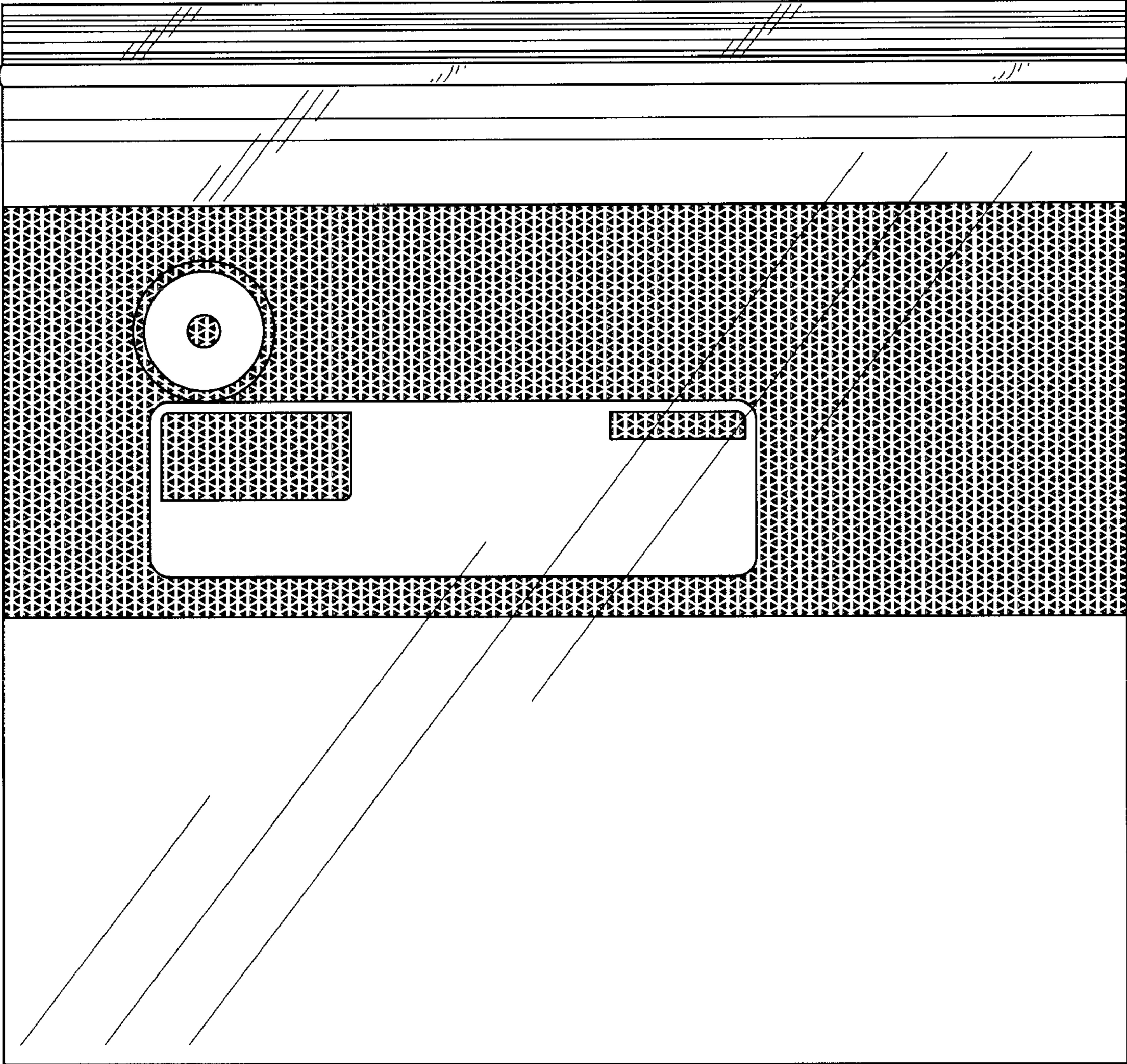


FIG. 11