



US00D595586S

(12) **United States Design Patent**
Kissinger et al.

(10) **Patent No.:** **US D595,586 S**

(45) **Date of Patent:** **** Jul. 7, 2009**

(54) **PLASTIC CONTAINER**

(75) Inventors: **Jeffrey Kissinger**, Wadsworth, OH (US);
Ryan Zamora, Westland, MI (US);
Anthony DeSico, Rochester Hills, MI (US);
Ryan Burson, Elyria, OH (US);
James J. Miller, Barberton, OH (US)

(73) Assignee: **Plastipak Packaging, Inc.**, Plymouth, MI (US)

(**) Term: **14 Years**

(21) Appl. No.: **29/328,412**

(22) Filed: **Nov. 24, 2008**

(51) **LOC (9) Cl.** **09-01**

(52) **U.S. Cl.** **D9/533; D9/528**

(58) **Field of Classification Search** D9/516,
D9/528, 531, 533, 563, 572, 575; 215/44,
215/45, 200, 243, 329, 379, 380, 382-385,
215/396, 398

See application file for complete search history.

(56) **References Cited**

U.S. PATENT DOCUMENTS

D228,230 S *	8/1973	Cutler	D9/528
D229,483 S *	12/1973	Cutler	D9/528
D302,523 S *	8/1989	Suhajda	D9/528
D312,210 S *	11/1990	Myerson et al.	D9/528
D377,604 S *	1/1997	Salmon et al.	D9/528
D521,870 S *	5/2006	Miller et al.	D9/528
D527,639 S *	9/2006	Voss et al.	D9/528
D538,167 S *	3/2007	Jennings et al.	D9/528
D573,885 S *	7/2008	Considine et al.	D9/528

* cited by examiner

Primary Examiner—Stella M Reid

Assistant Examiner—Shanda C Hill

(74) *Attorney, Agent, or Firm*—Dykema Gossett PLLC

(57) **CLAIM**

The ornamental design for a plastic container, as shown and described.

DESCRIPTION

FIG. 1 is a top, front, right perspective view of the first embodiment of a plastic container showing our new design;

FIG. 2 is a top, rear, right perspective view of FIG. 1;

FIG. 3 is a left side elevational view of FIG. 1;

FIG. 4 is a right side elevational view of FIG. 1;

FIG. 5 is a front elevational view of FIG. 1;

FIG. 6 is a rear elevational view of FIG. 1;

FIG. 7 is a top plan view of FIG. 1;

FIG. 8 is a bottom plan view of FIG. 1;

FIG. 9 is a top, front, right perspective view of a second embodiment of the plastic container of FIG. 1;

FIG. 10 is a top, rear, right side view of FIG. 9;

FIG. 11 is a left side elevational view of FIG. 9;

FIG. 12 is a right side elevational view of FIG. 9;

FIG. 13 is a front elevational view of FIG. 9;

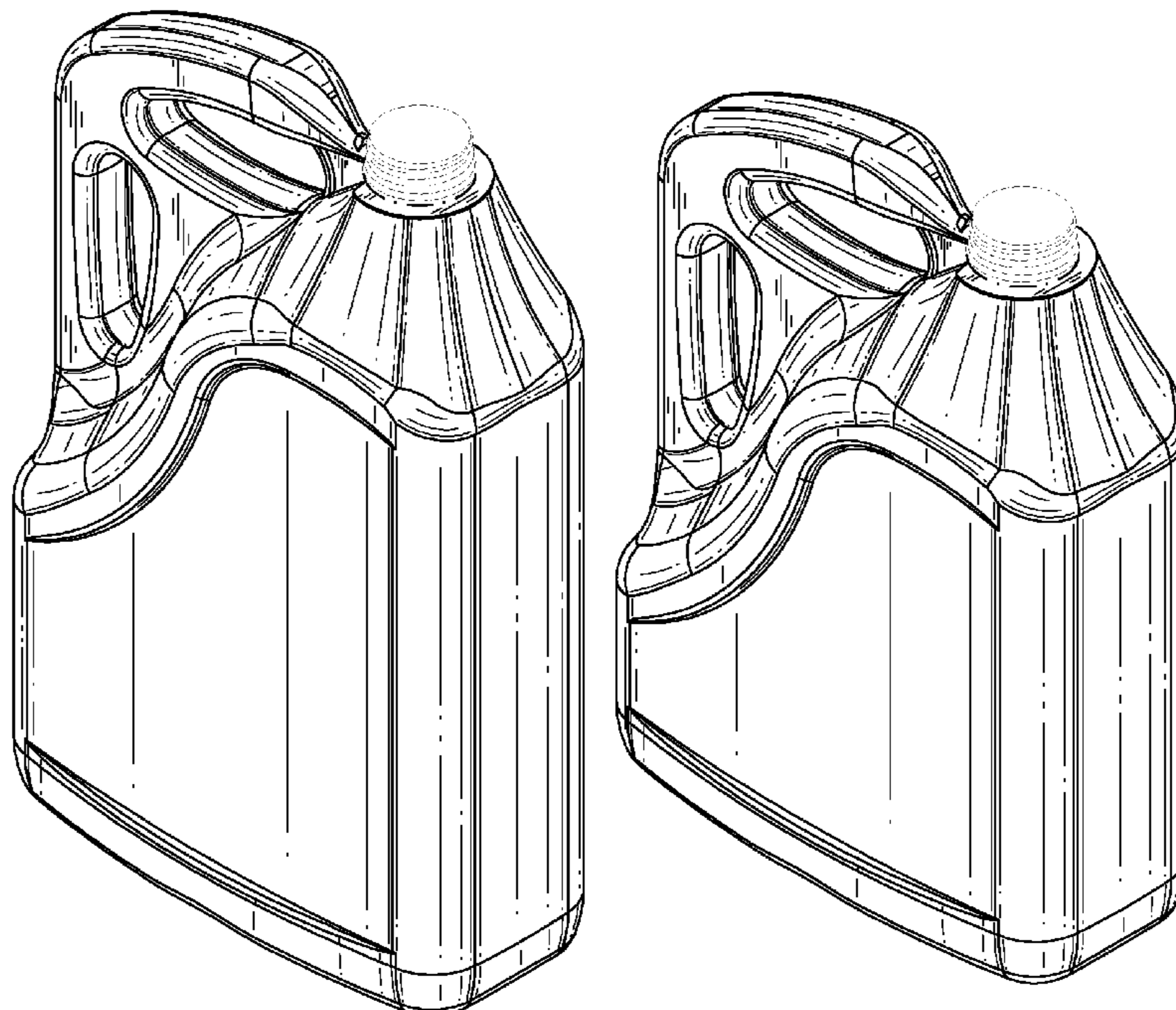
FIG. 14 is a rear elevational view of FIG. 9;

FIG. 15 is a top plan view of FIG. 9; and,

FIG. 16 is a bottom plan view of FIG. 9.

The broken lines shown in the drawings are for illustrative purposes only and do not form a part of the claimed design.

1 Claim, 6 Drawing Sheets



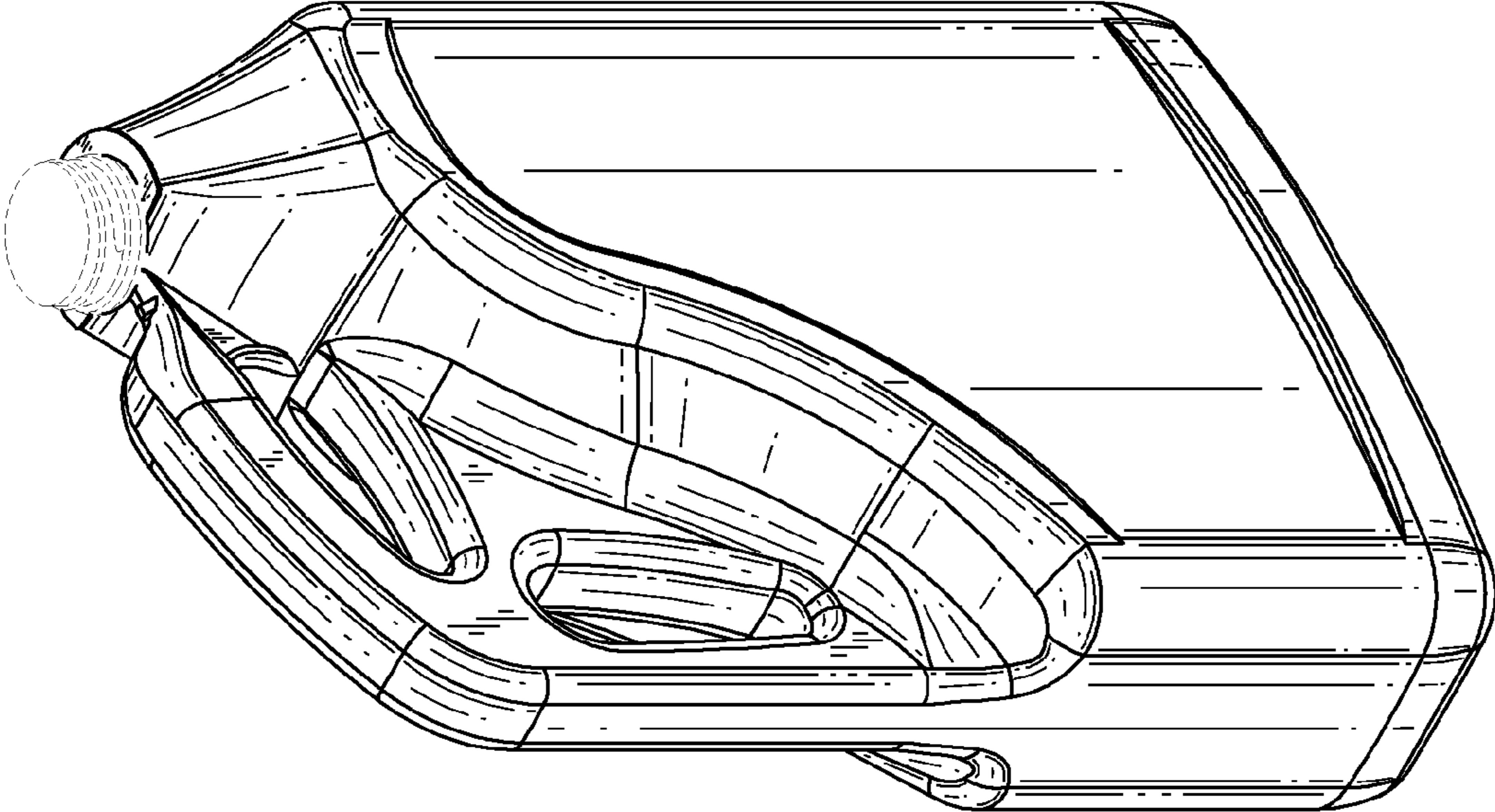


FIG. 2

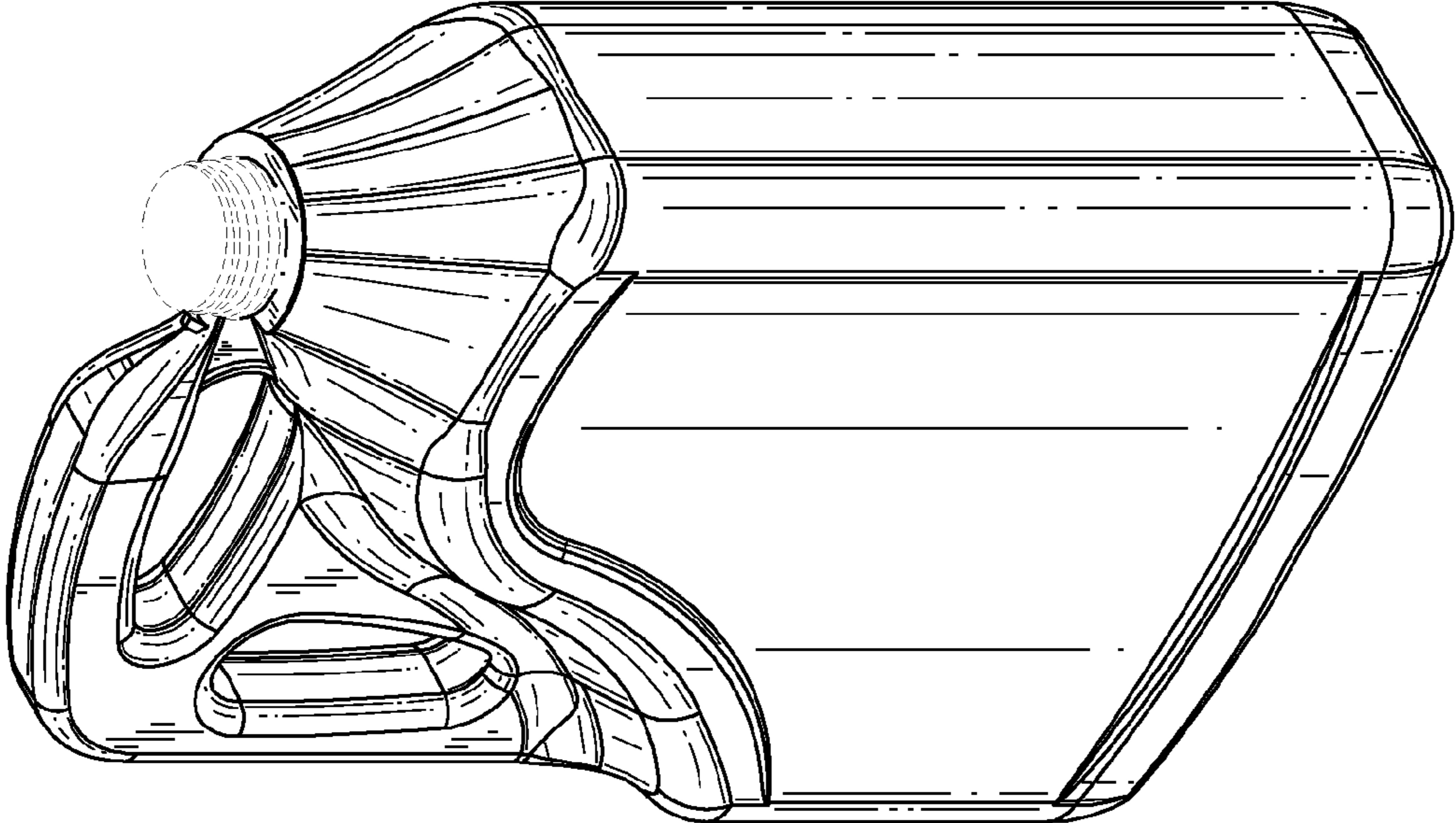


FIG. 1

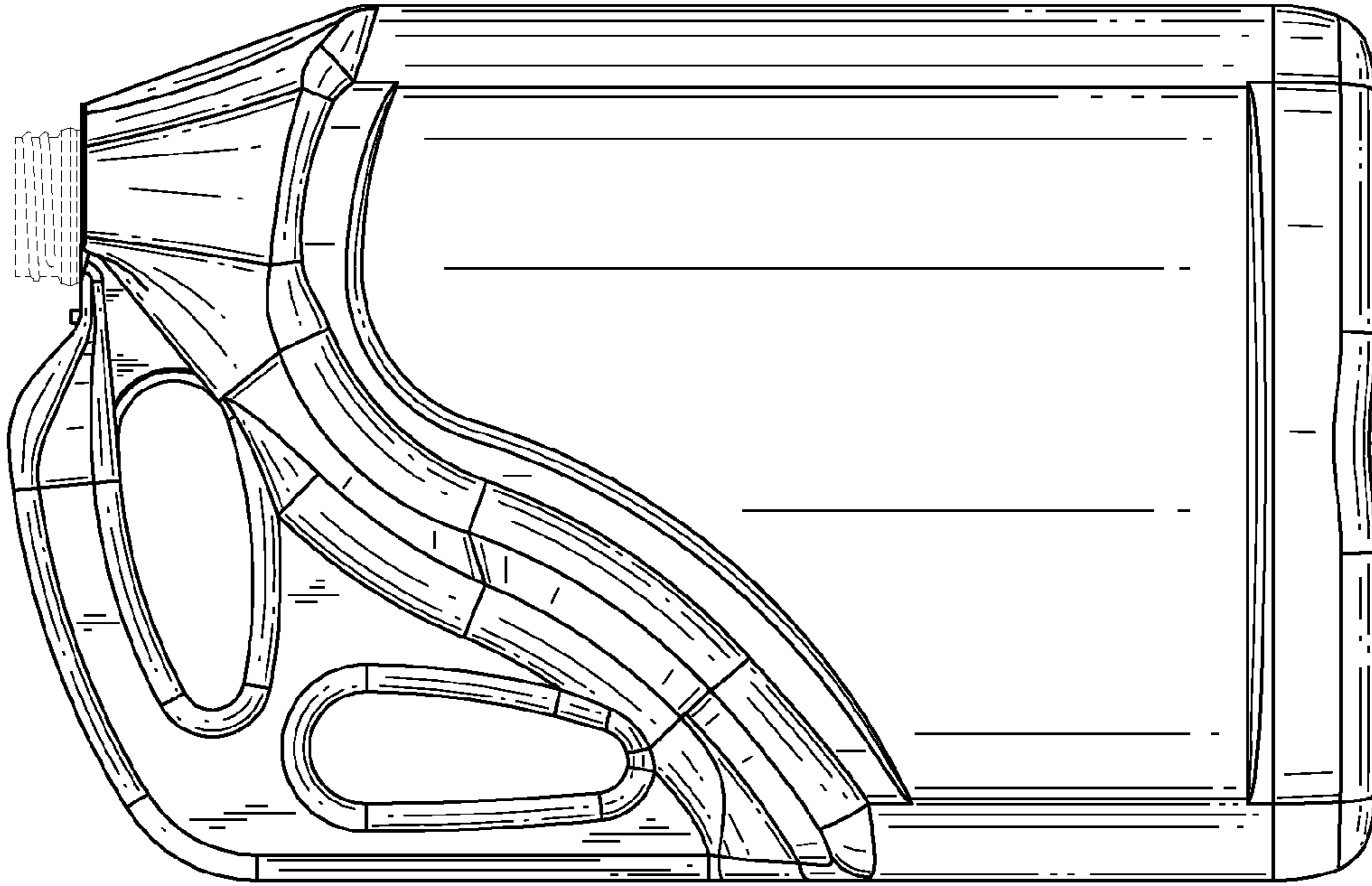


FIG. 4

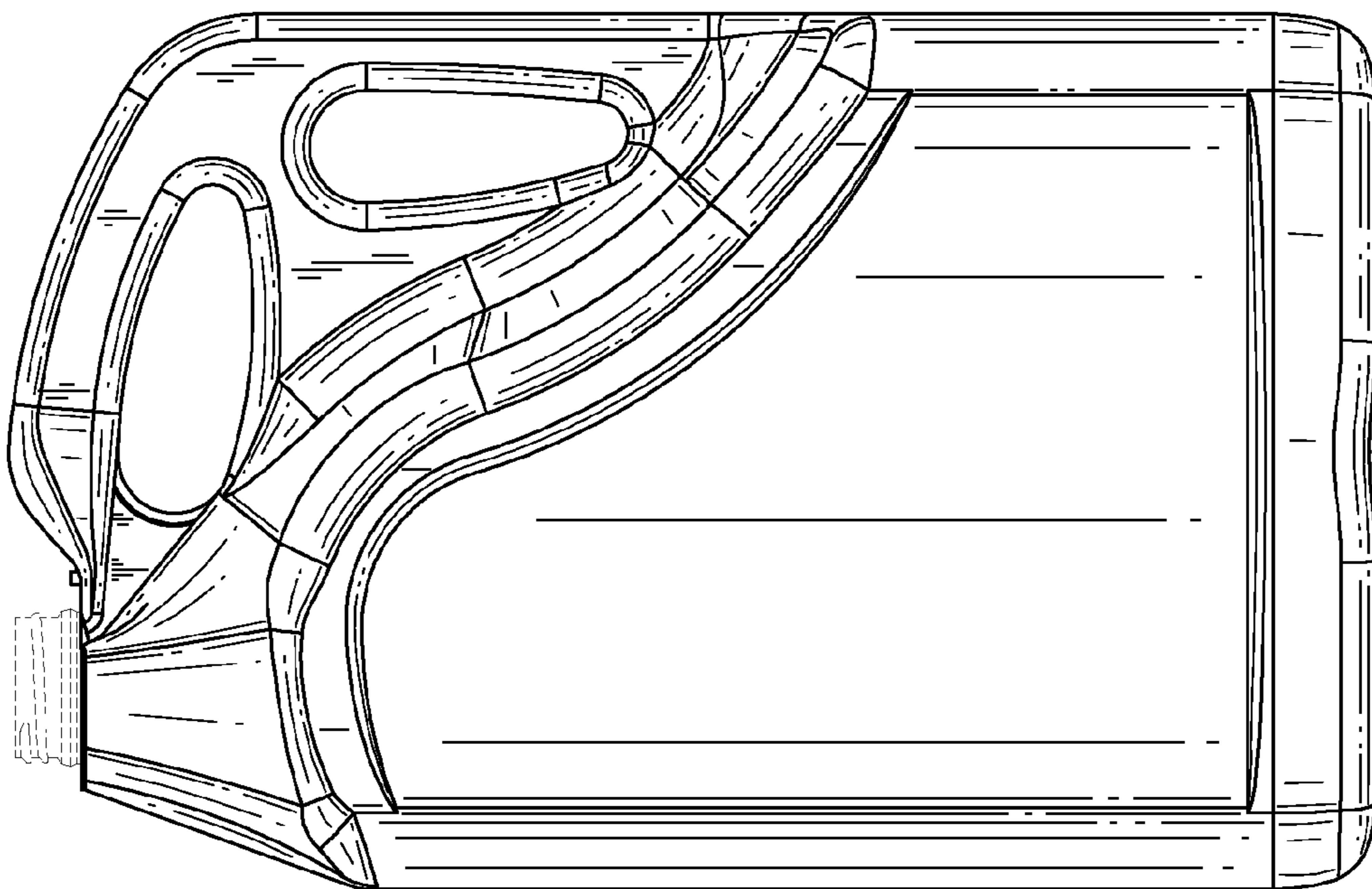


FIG. 3

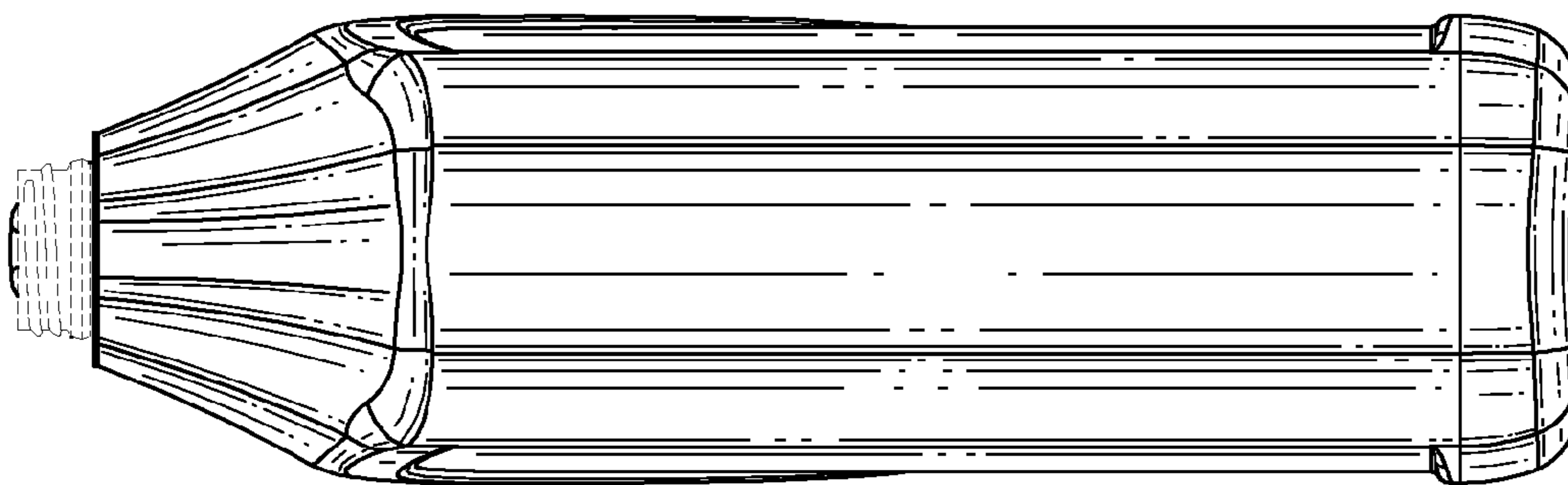


FIG. 5

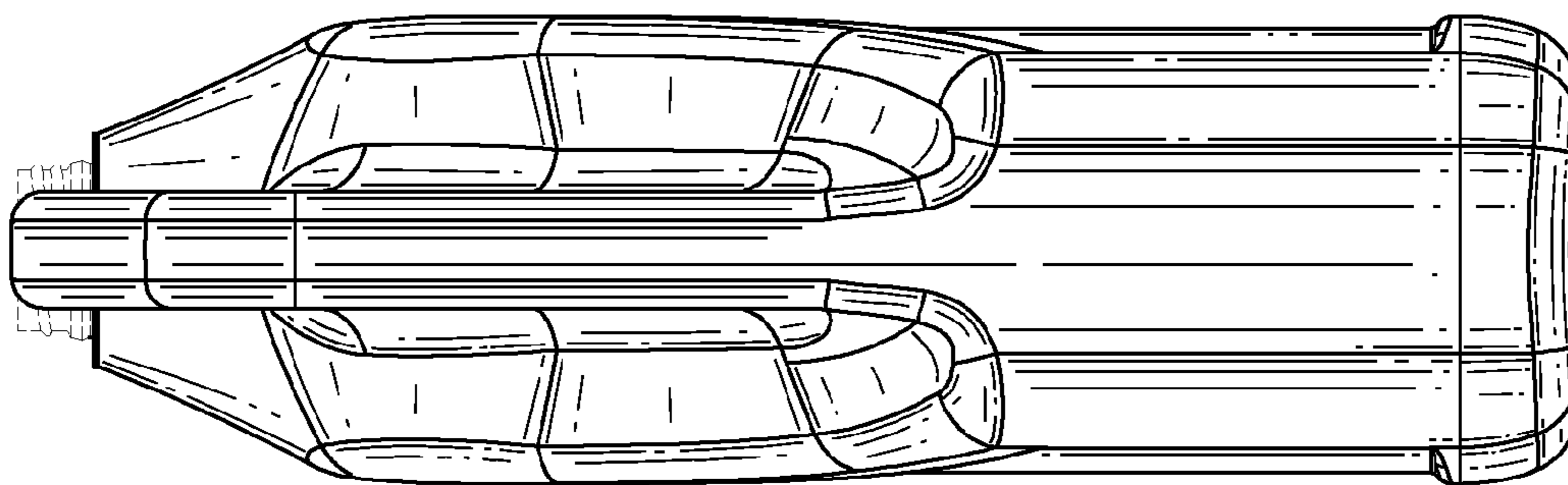


FIG. 6

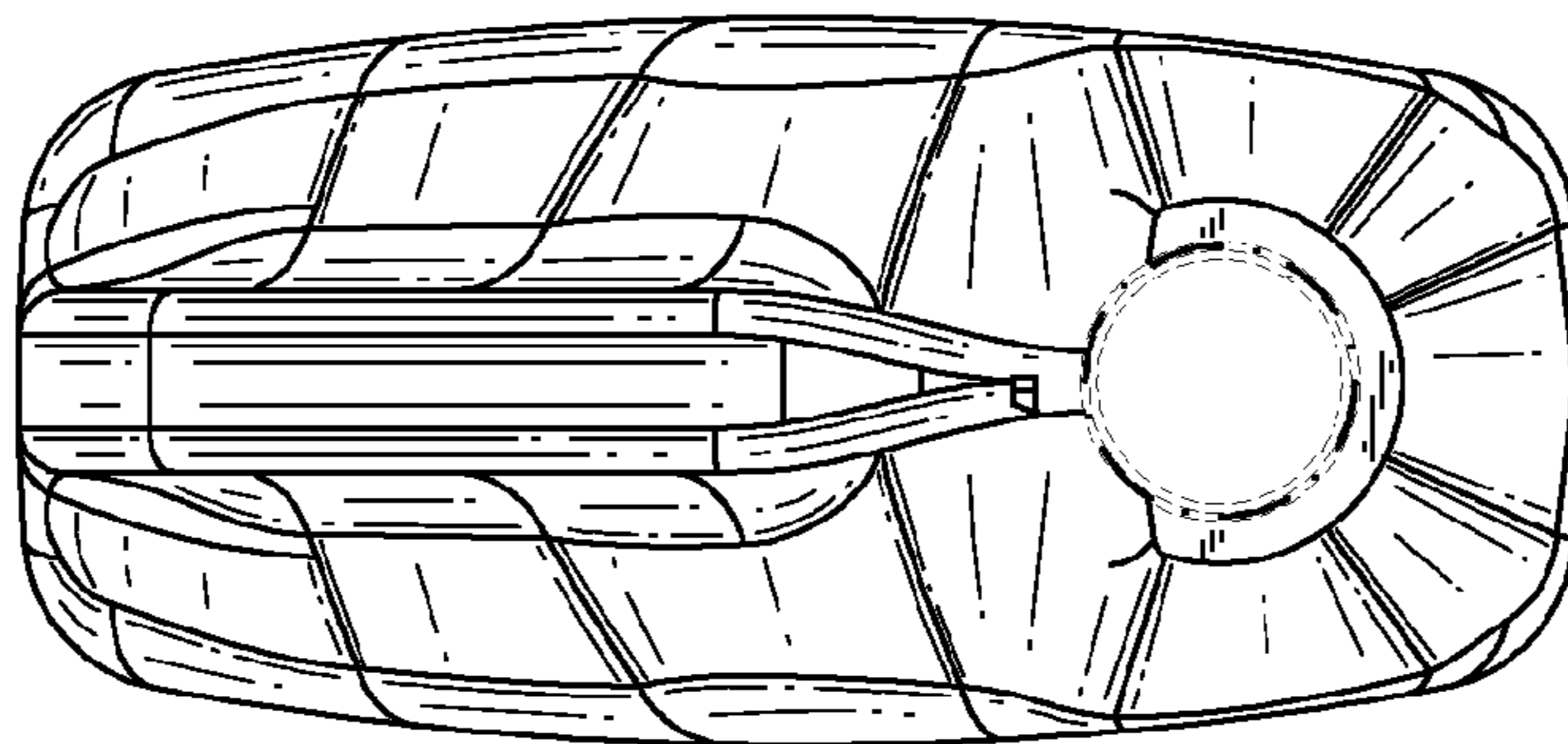


FIG. 7

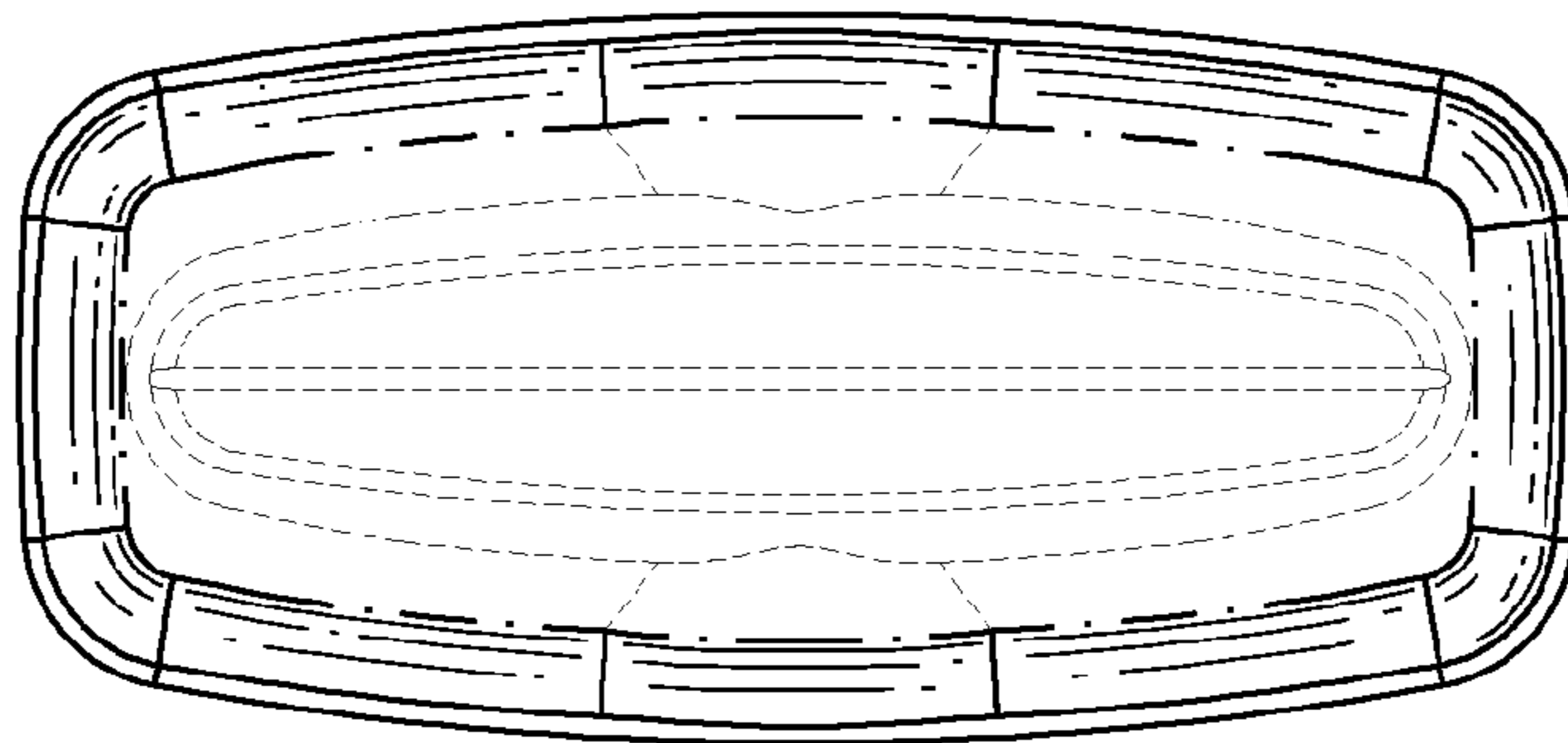


FIG. 8

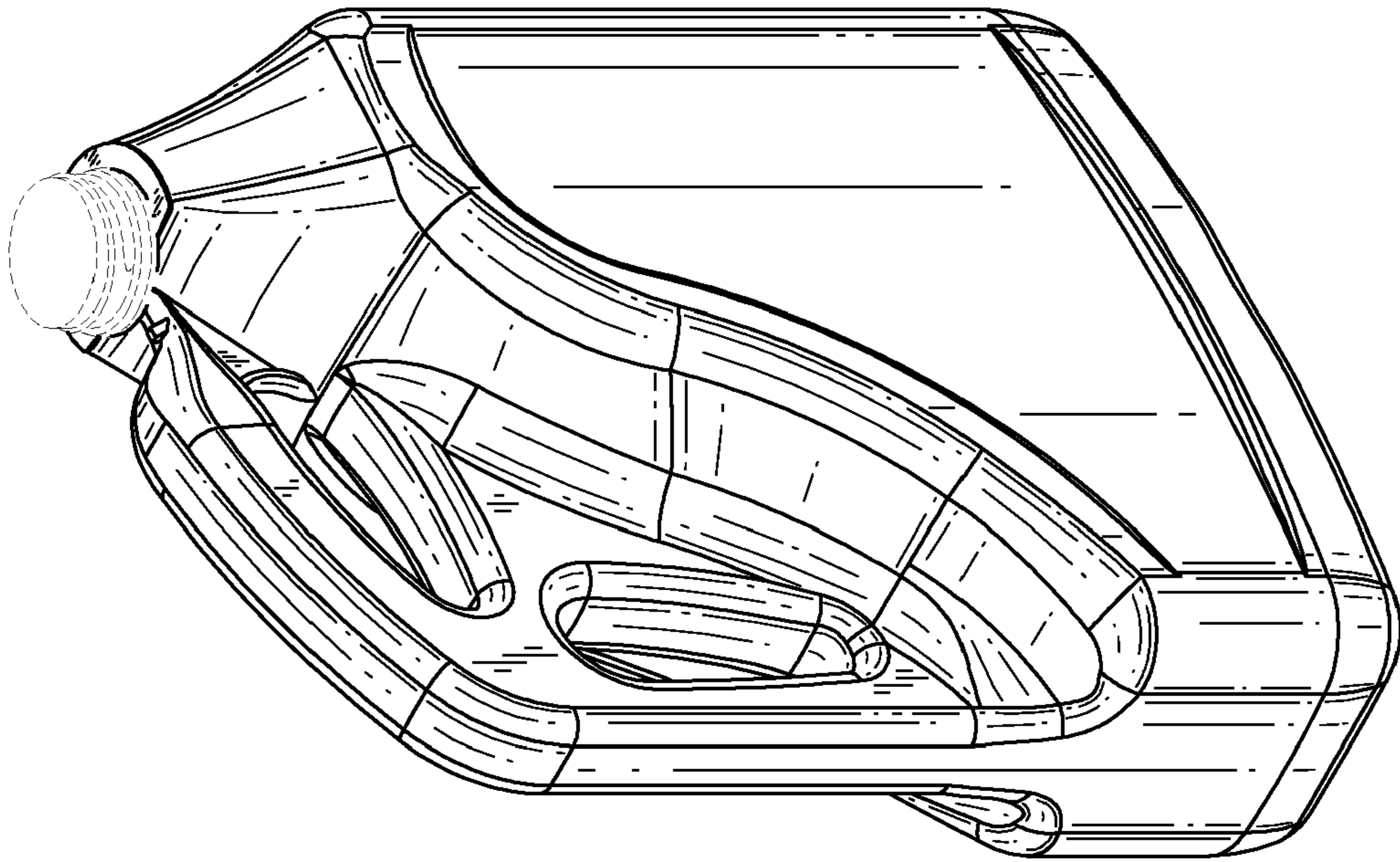


FIG. 10

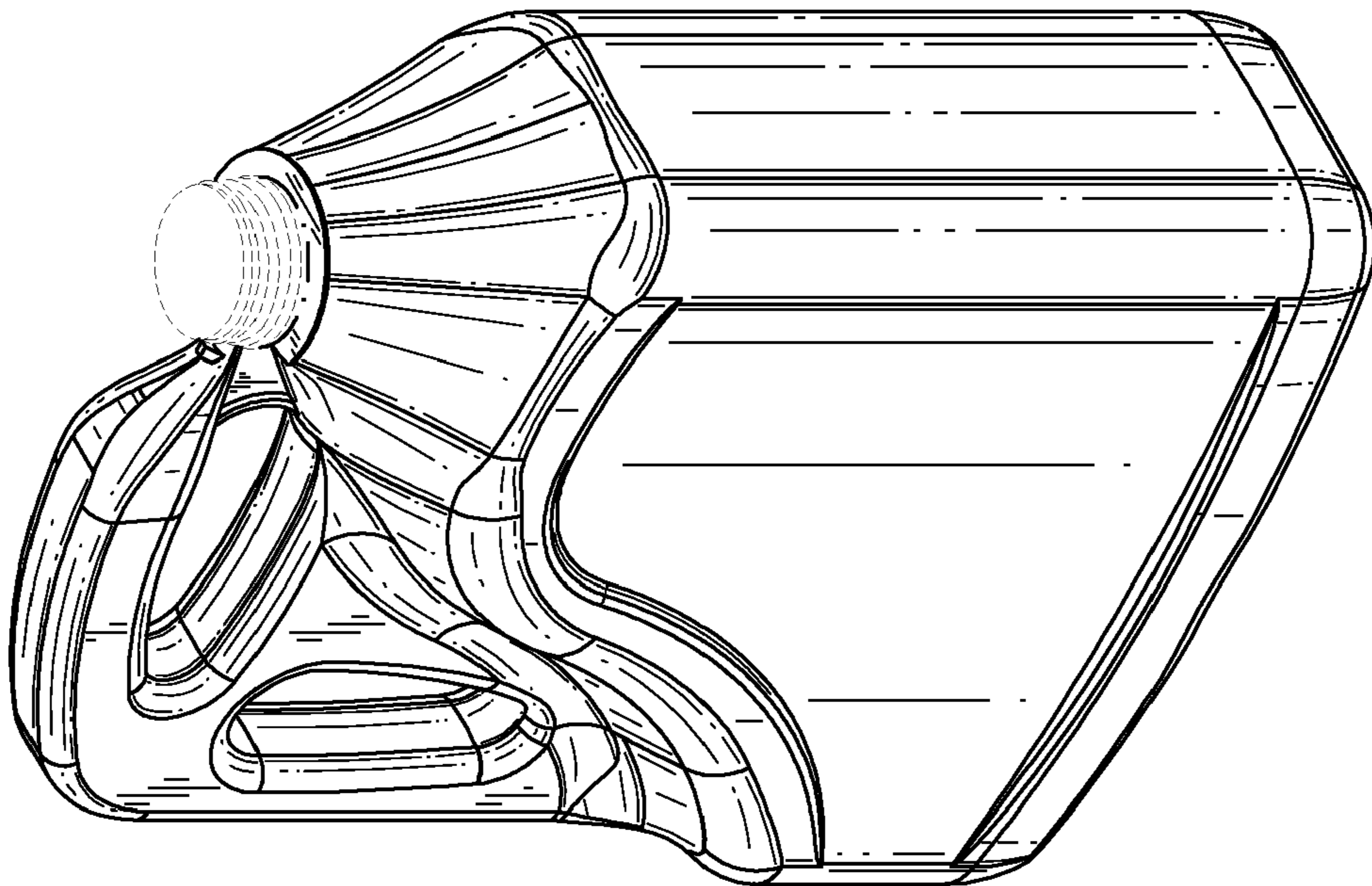


FIG. 9

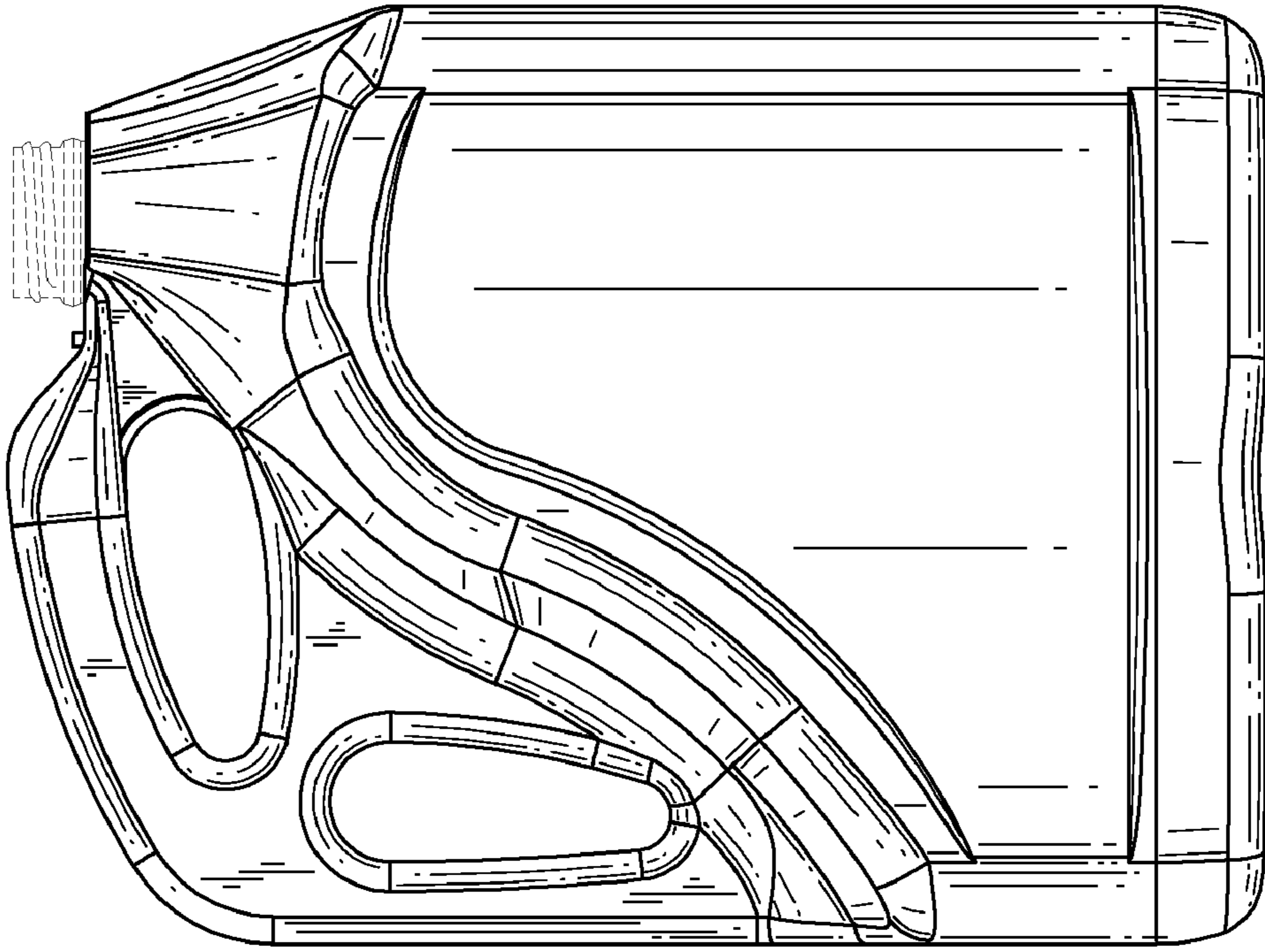


FIG. 12

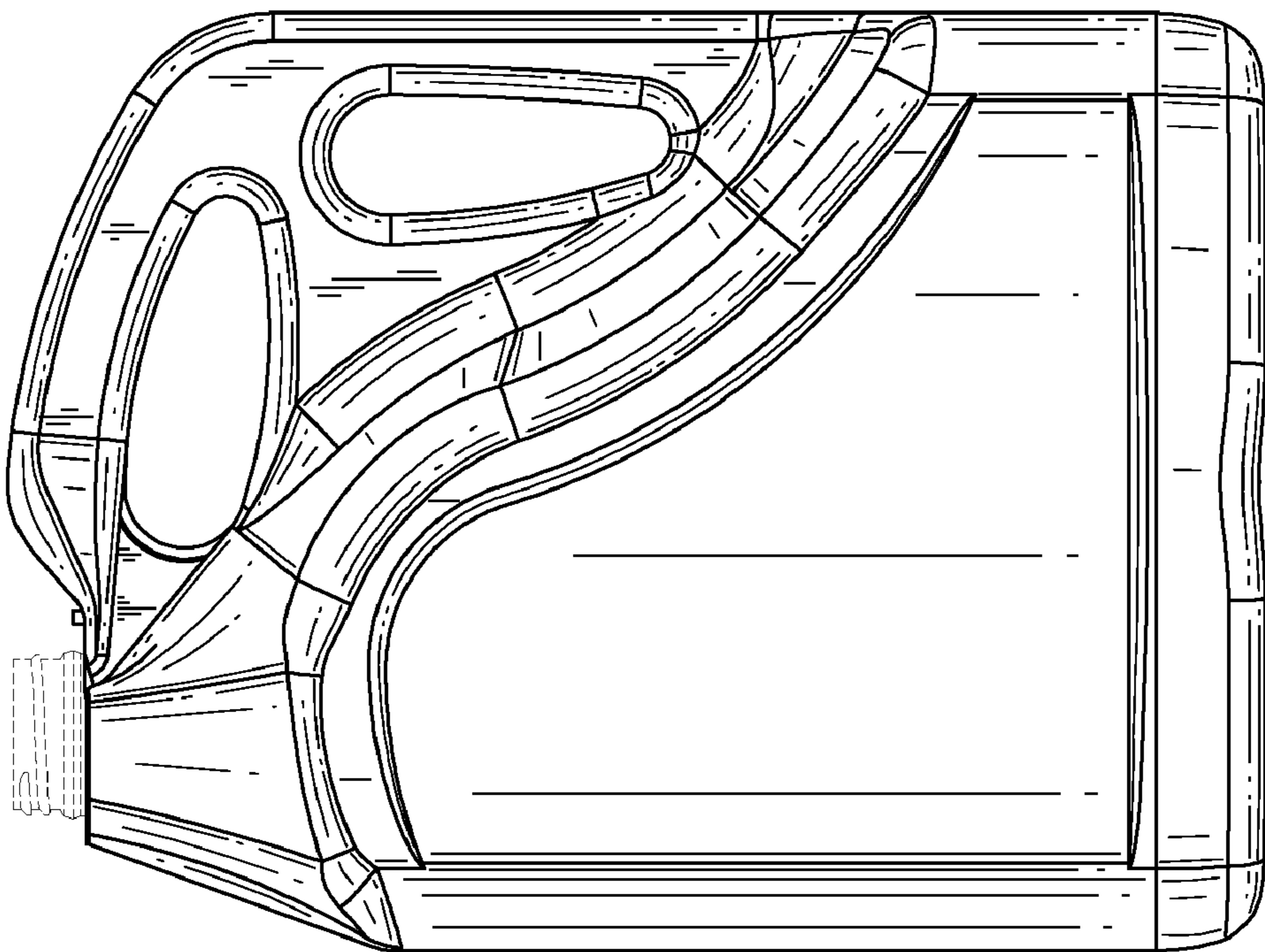


FIG. 11

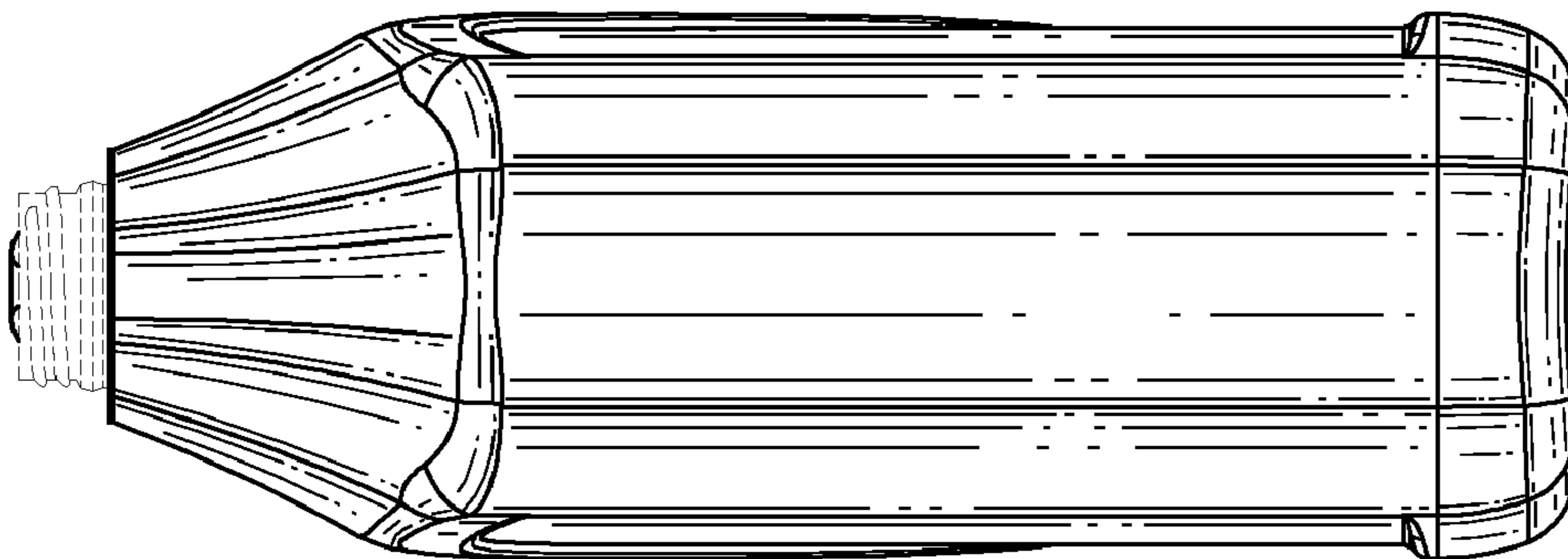


FIG. 13

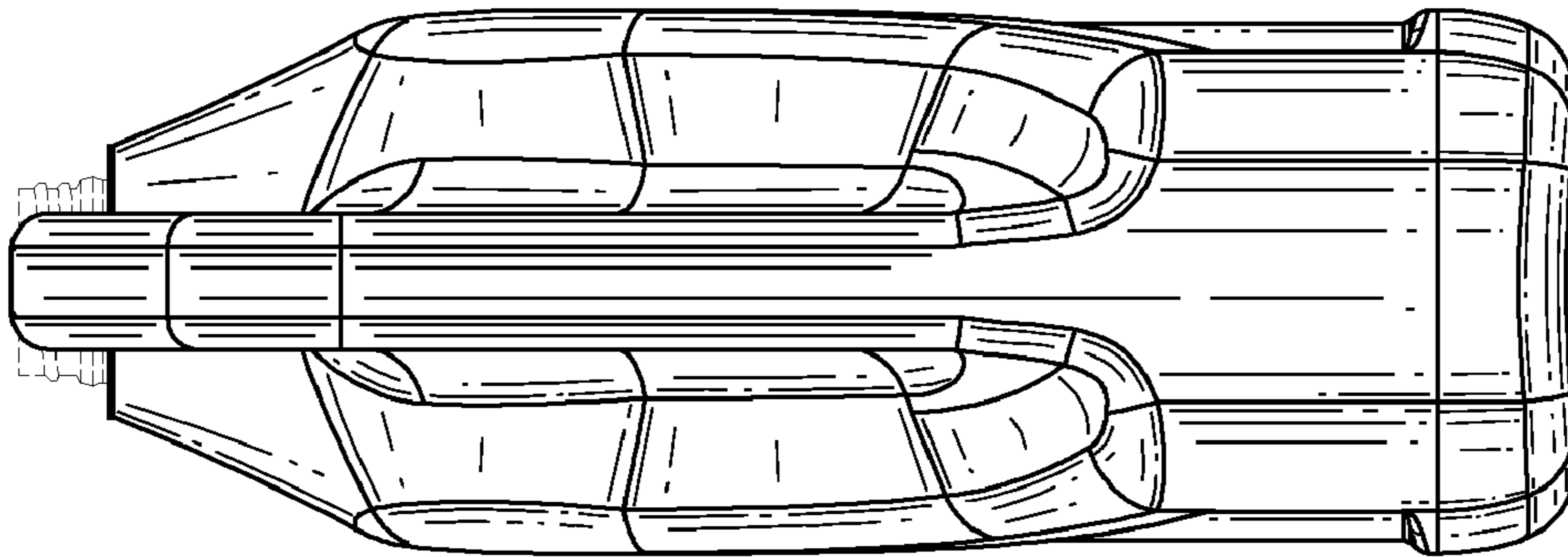


FIG. 14

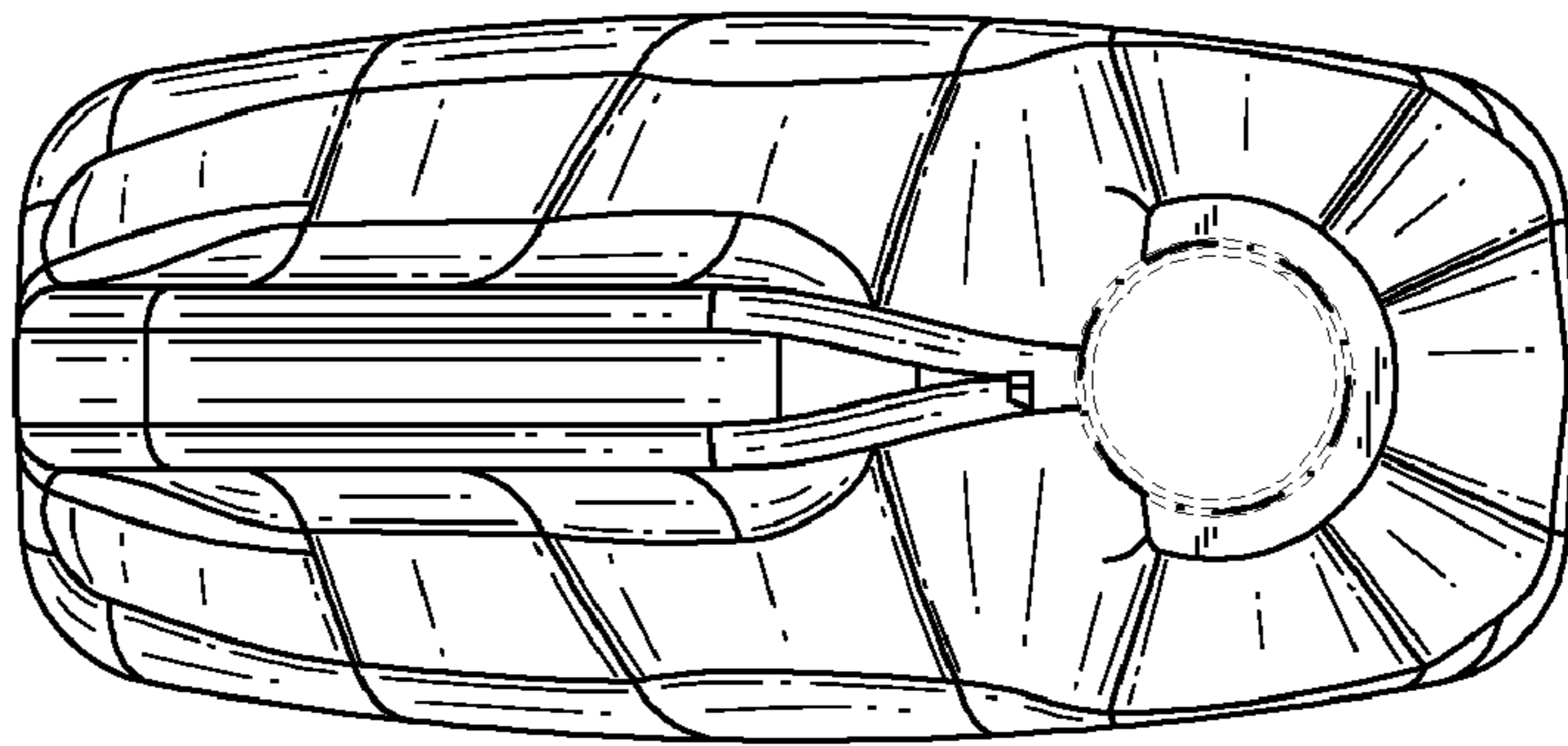


FIG. 15

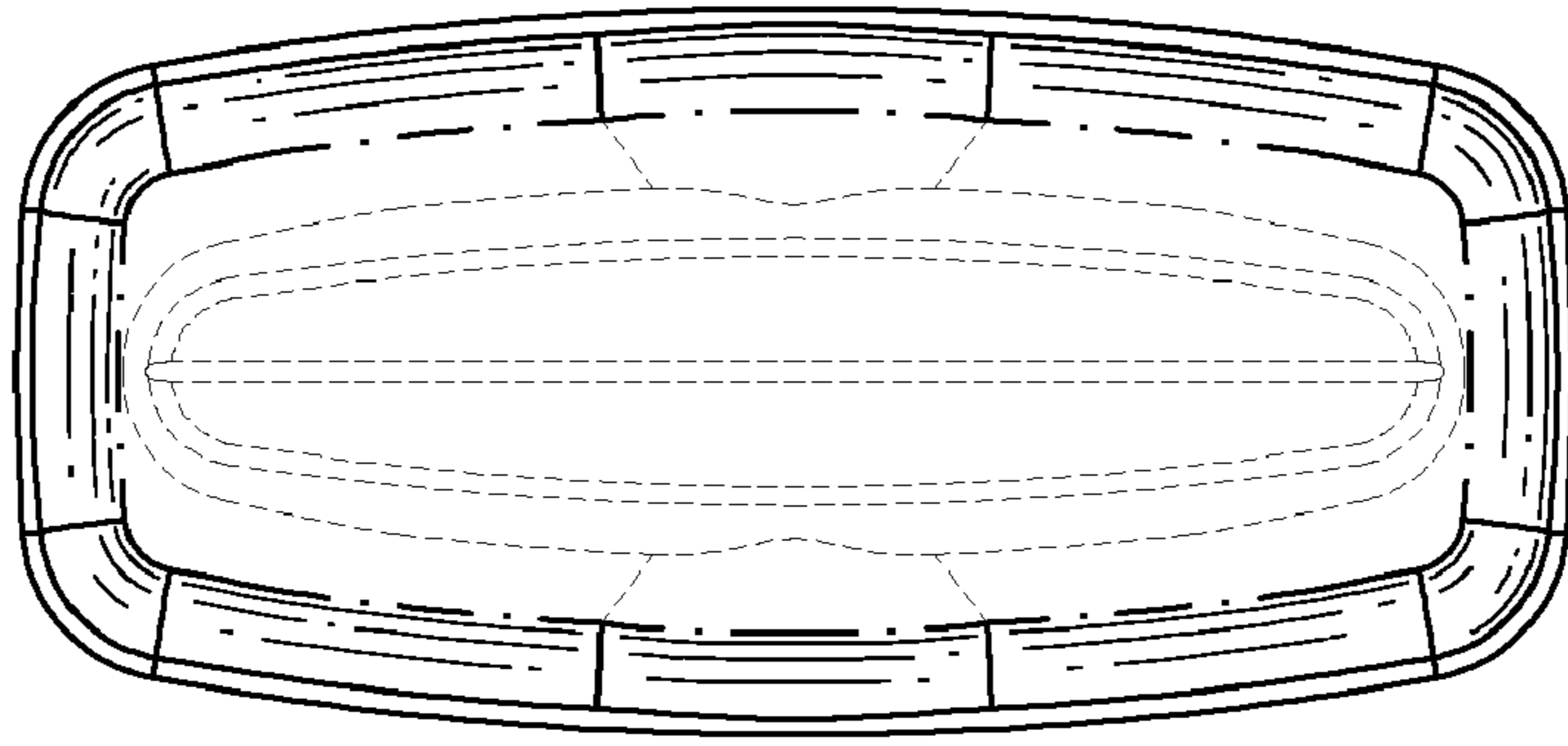


FIG. 16