



US00D595583S

(12) **United States Design Patent**
Lovelace, Jr. et al.

(10) **Patent No.:** **US D595,583 S**
(45) **Date of Patent:** **** Jul. 7, 2009**

(54) **PLASTIC CONTAINER**

(75) Inventors: **Richard A. Lovelace, Jr.**, Munroe Falls, OH (US); **James Miller**, Barberton, OH (US)

(73) Assignee: **Plastipak Packaging, Inc.**, Plymouth, MI (US)

(**) Term: **14 Years**

(21) Appl. No.: **29/328,850**

(22) Filed: **Dec. 3, 2008**

(51) **LOC (9) Cl.** **09-01**

(52) **U.S. Cl.** **D9/528**

(58) **Field of Classification Search** D9/516,
D9/528, 531, 533, 563, 572, 575; 215/44,
215/45, 200, 243, 329, 379, 380, 382-385,
215/396, 398

See application file for complete search history.

(56) **References Cited**

U.S. PATENT DOCUMENTS

- D228,230 S * 8/1973 Cutler D9/528
- D229,483 S * 12/1973 Cutler D9/528
- D302,523 S * 8/1989 Suhajda D9/528
- D312,210 S * 11/1990 Myerson et al. D9/528
- D377,604 S * 1/1997 Salmon et al. D9/528
- D521,870 S * 5/2006 Miller et al. D9/528

- D527,639 S * 9/2006 Voss et al. D9/528
- D538,167 S * 3/2007 Jennings et al. D9/528
- D573,885 S * 7/2008 Considine et al. D9/528

* cited by examiner

Primary Examiner—Stella M Reid

Assistant Examiner—Shanda C Hill

(74) *Attorney, Agent, or Firm*—Dykema Gossett PLLC

(57) **CLAIM**

The ornamental design for a plastic container, as shown and described.

DESCRIPTION

FIG. 1 is a top, front, right perspective view of a plastic container showing our new design;

FIG. 2 is a top, rear, right perspective view of FIG. 1;

FIG. 3 is a right side elevational view of FIG. 1;

FIG. 4 is a left side elevational view of FIG. 1;

FIG. 5 is a rear elevational view of FIG. 1;

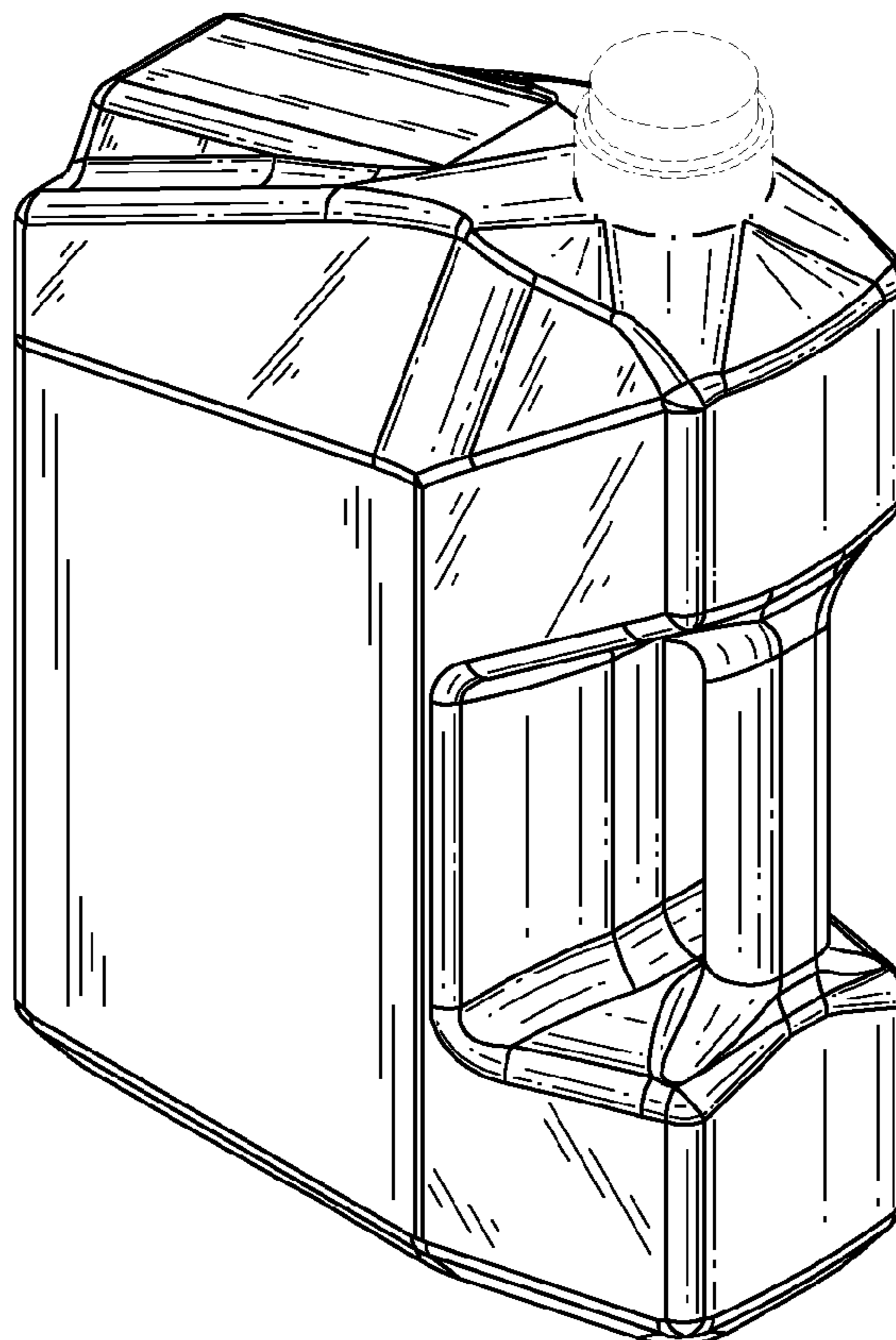
FIG. 6 is a front elevational view of FIG. 1;

FIG. 7 is a top plan view of FIG. 1; and,

FIG. 8 is a bottom plan view of FIG. 1.

The broken lines shown in the drawings are for illustrative purposes only and do not form a part of the claimed design.

1 Claim, 3 Drawing Sheets



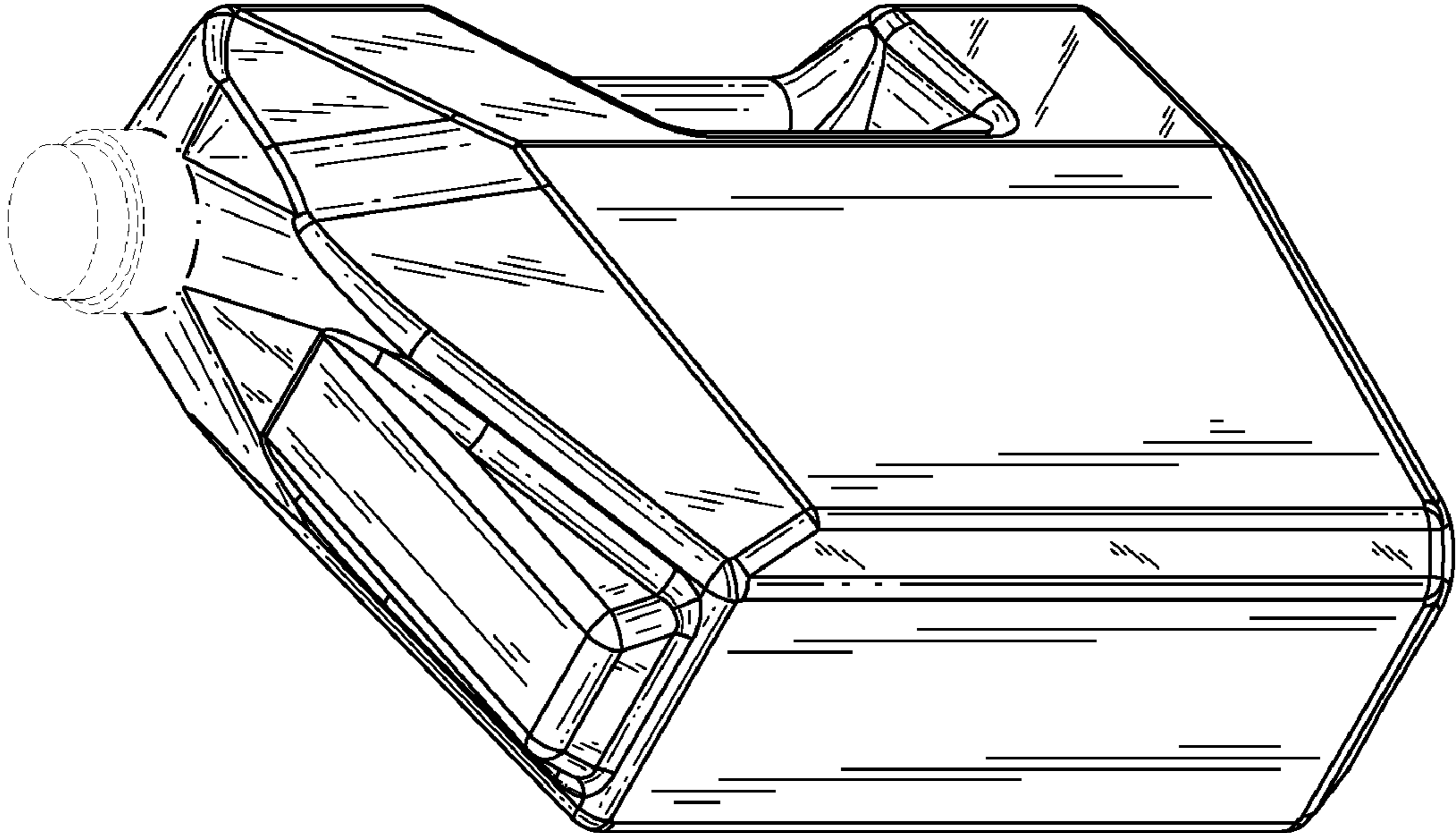


FIG. 2

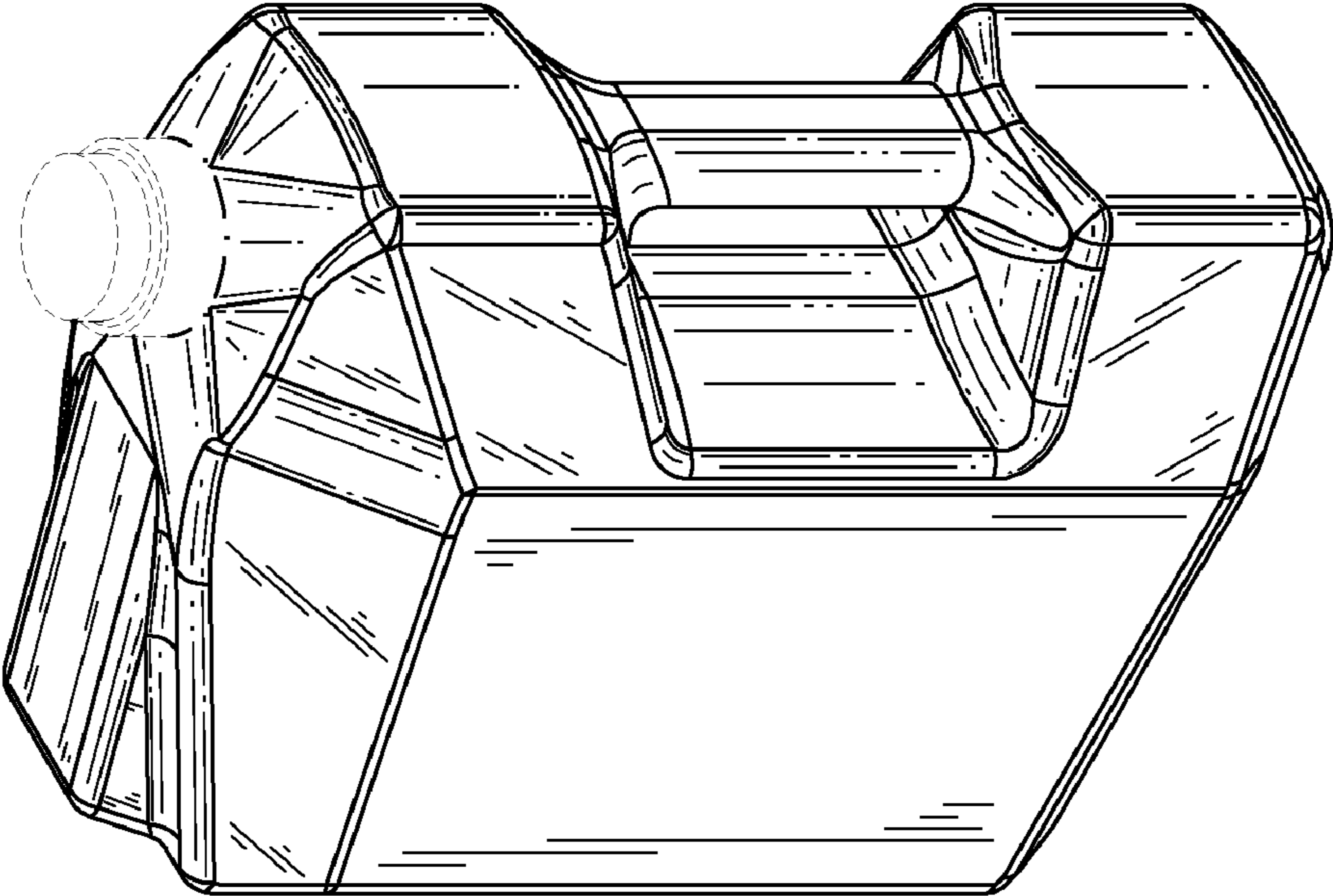


FIG. 1

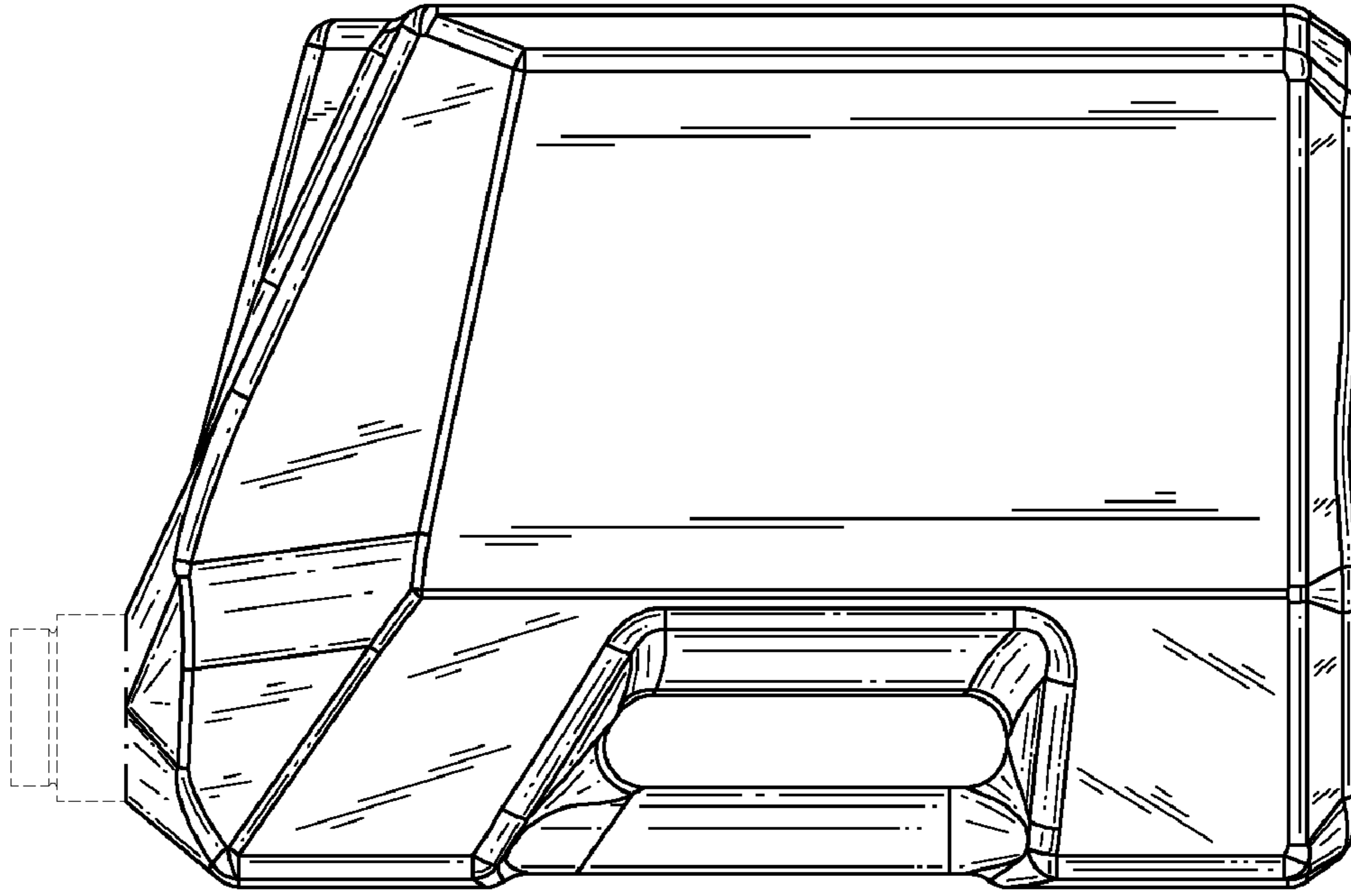


FIG. 4

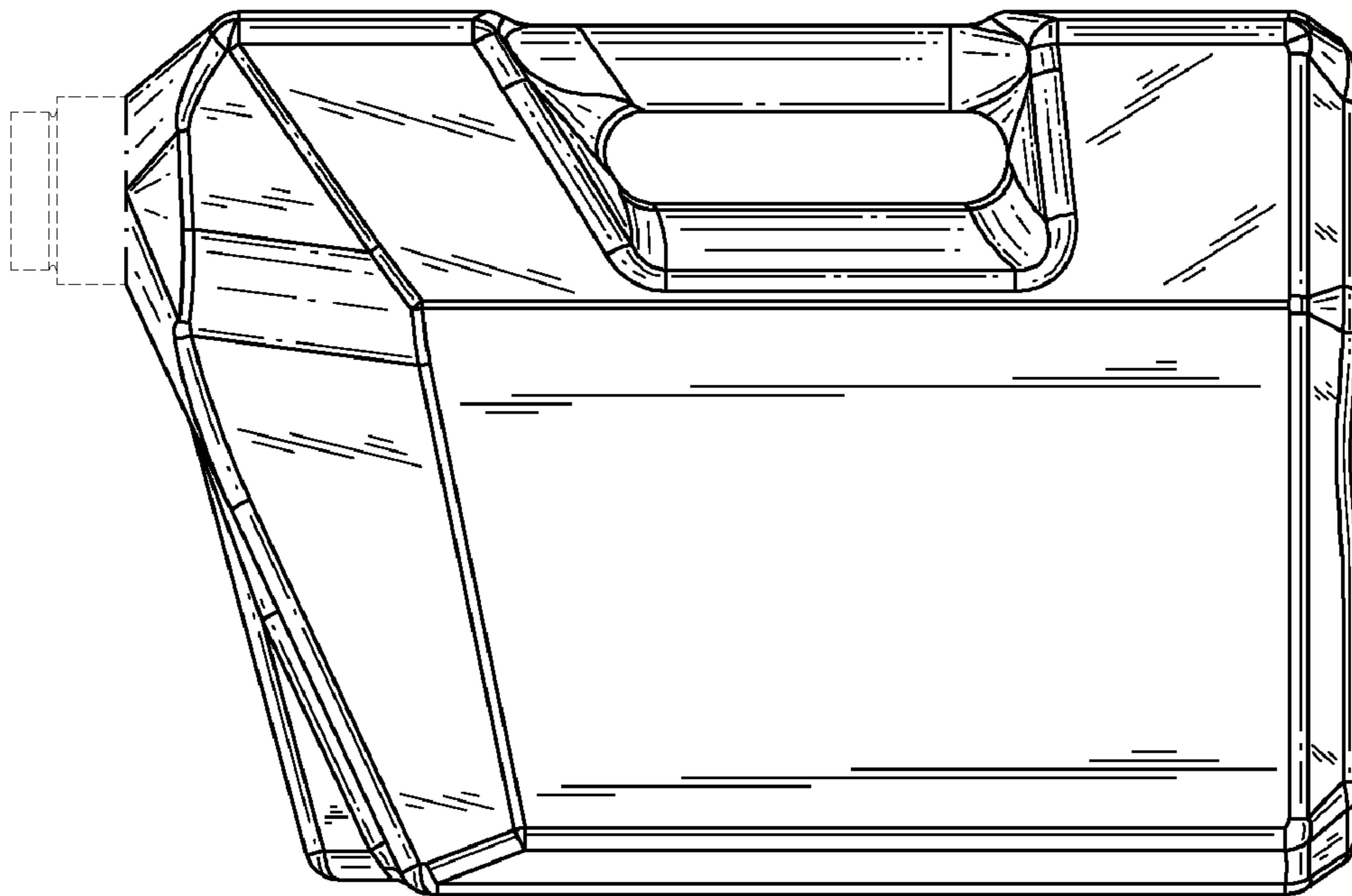


FIG. 3

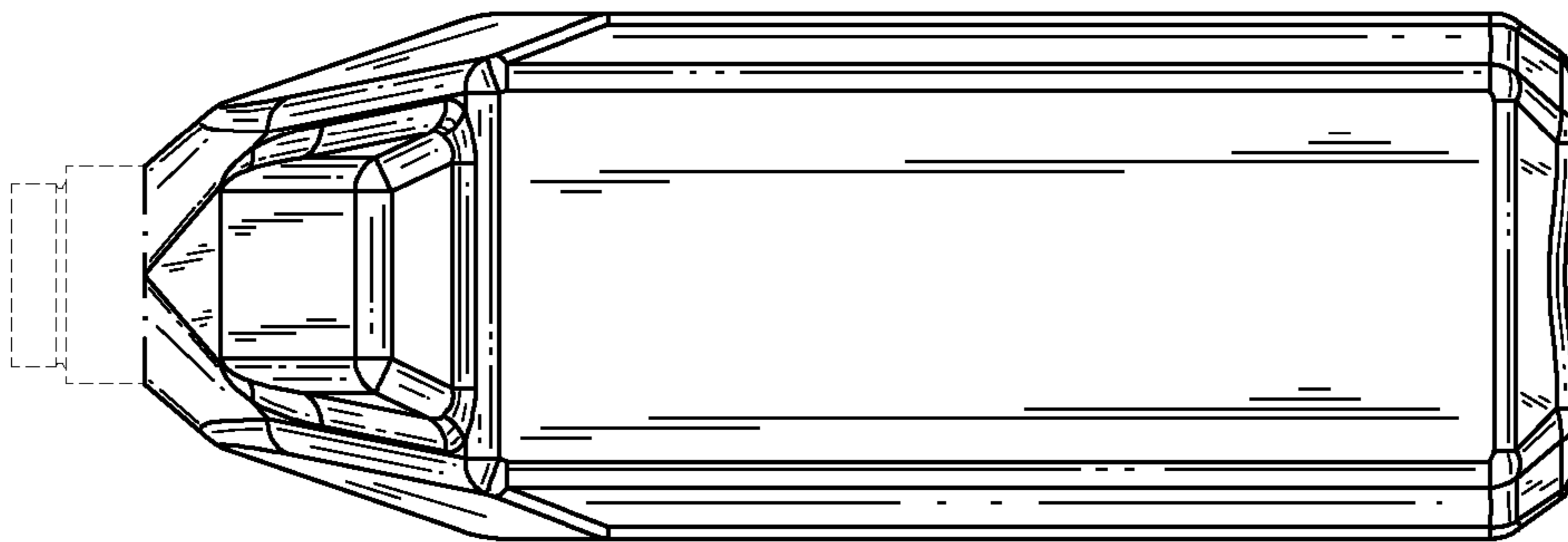


FIG. 5

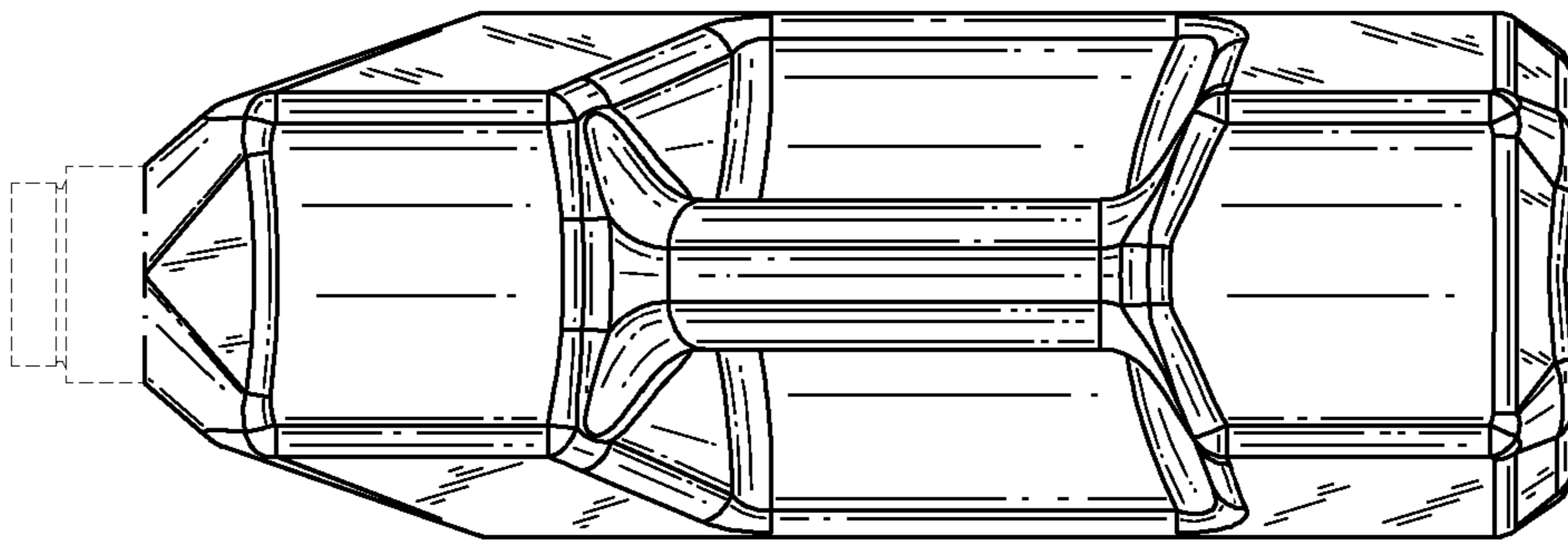


FIG. 6

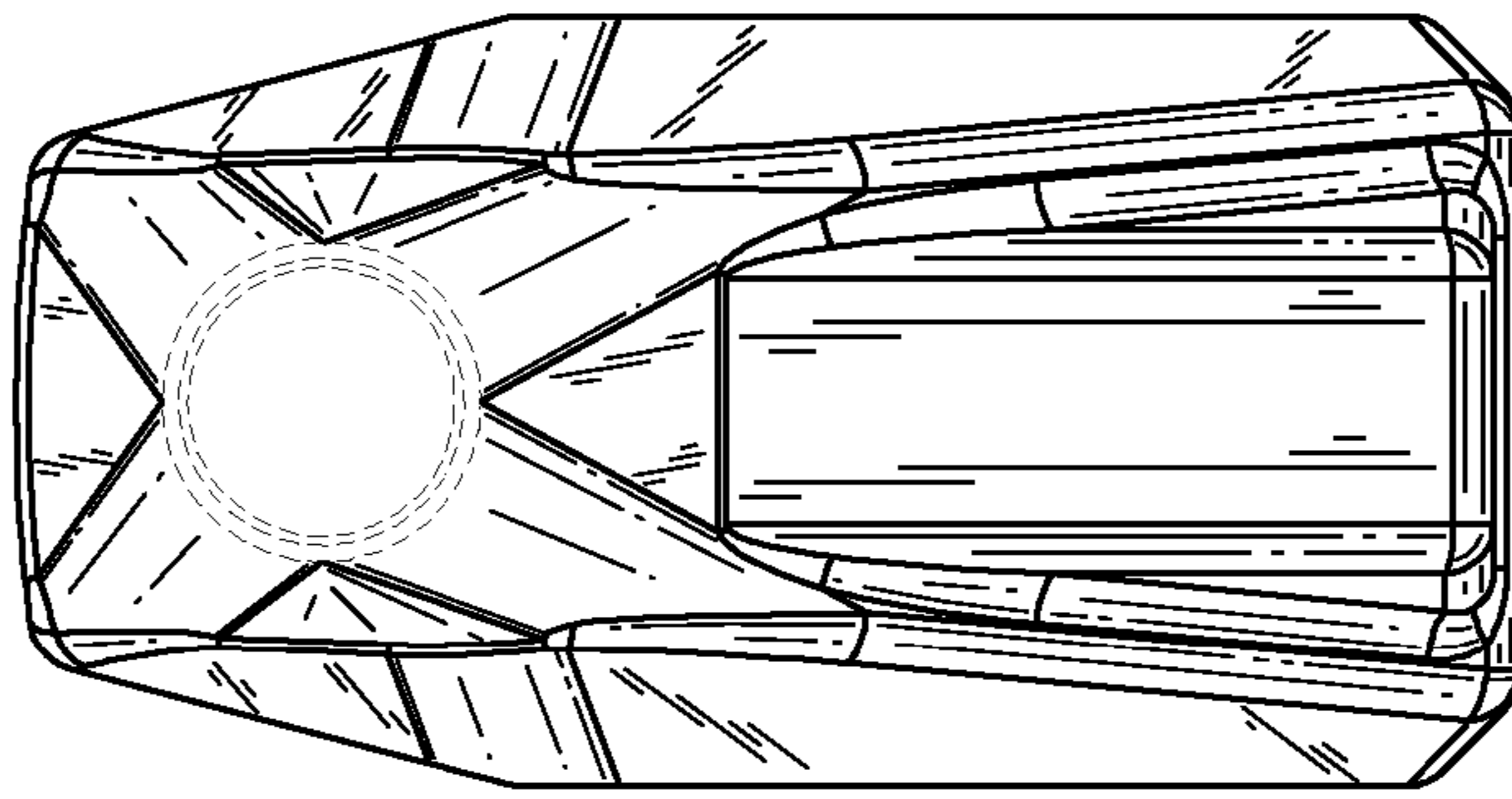


FIG. 7

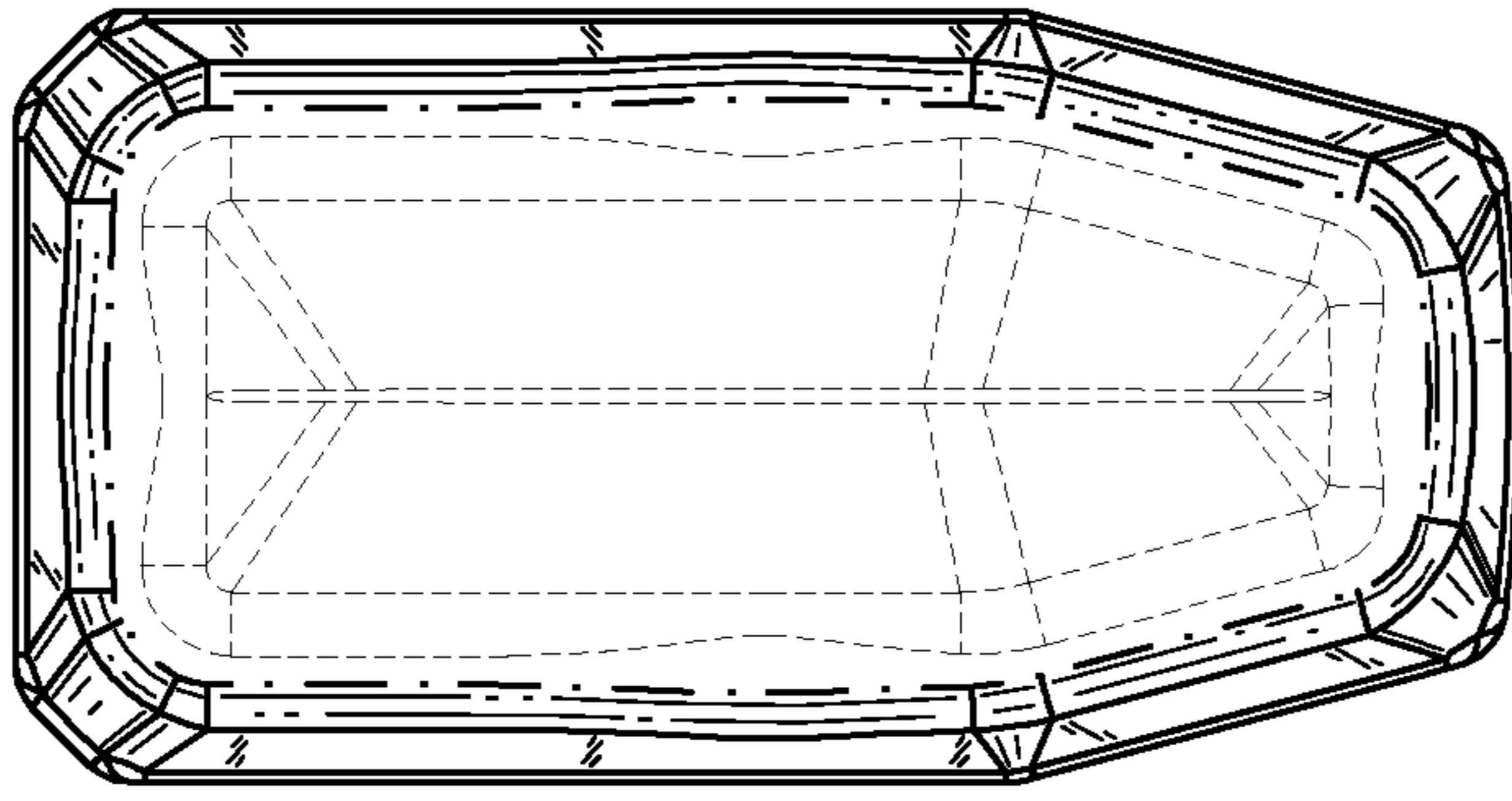


FIG. 8