



US00D595582S

(12) **United States Design Patent**
Cowan-Hughes et al.

(10) **Patent No.:** **US D595,582 S**

(45) **Date of Patent:** **** Jul. 7, 2009**

(54) **BOTTLE**

(75) Inventors: **John Cowan-Hughes**, Bath (GB); **Carl Dibnah**, Hull (GB); **Chris Padain**, Hull (GB); **Matthew Wright**, Bath (GB)

(73) Assignee: **Reckitt Benckiser (UK) Limited**, Slough, Berkshire (GB)

(**) Term: **14 Years**

(21) Appl. No.: **29/294,586**

(22) Filed: **Jan. 18, 2008**

(30) **Foreign Application Priority Data**

Jul. 20, 2007 (EM) 000761721

(51) **LOC (9) Cl.** **09-01**

(52) **U.S. Cl.** **D9/521; D9/550; D9/551; D9/435; D9/445**

(58) **Field of Classification Search** D9/682, D9/686-687, 692-694, 723-729, 516, 521, D9/522, 529, 530, 542, 543, 549, 551-552, D9/565, 572-575, 435, 445, 447, 449; 215/382-384; 220/669, 675

See application file for complete search history.

(56) **References Cited**

U.S. PATENT DOCUMENTS

D257,504 S * 11/1980 Weckman D9/563
D311,133 S * 10/1990 Wiseman et al. D9/521
D392,561 S * 3/1998 Markey et al. D9/521
5,996,850 A * 12/1999 Morali et al. 222/212 X
D418,424 S * 1/2000 Gobe D9/549 X

D458,847 S * 6/2002 Kuzma et al. D9/521
D498,145 S * 11/2004 McLeish D9/563
D501,141 S * 1/2005 Bakic D9/521
D502,400 S * 3/2005 Cinquino et al. D9/521
D505,624 S * 5/2005 Helps D9/529
D508,406 S * 8/2005 Kerr et al. D9/521
D510,033 S * 9/2005 McLeish D9/563
D527,640 S * 9/2006 Cummings et al. D9/529
D537,350 S * 2/2007 Bakic D9/521
D545,211 S * 6/2007 Armstrong et al. D9/563
D558,590 S 1/2008 Cowan-Hughes et al.
D563,789 S * 3/2008 Mongeon et al. D9/521
D580,767 S * 11/2008 Okin et al. D9/521
2008/0296247 A1 * 12/2008 Ribadeneira Mejia 215/235

* cited by examiner

Primary Examiner—Carol Rademaker
(74) *Attorney, Agent, or Firm*—TraskBritt

(57) **CLAIM**

The ornamental design for a bottle, as shown and described.

DESCRIPTION

FIG. 1 is a top, front, and right side perspective view showing our new design;

FIG. 2 is a front elevational view thereof;

FIG. 3 is a rear elevational view thereof;

FIG. 4 right side elevational view thereof;

FIG. 5 left side elevational view thereof;

FIG. 6 is a top plan view thereof; and,

FIG. 7 is a bottom plan view thereof.

1 Claim, 3 Drawing Sheets

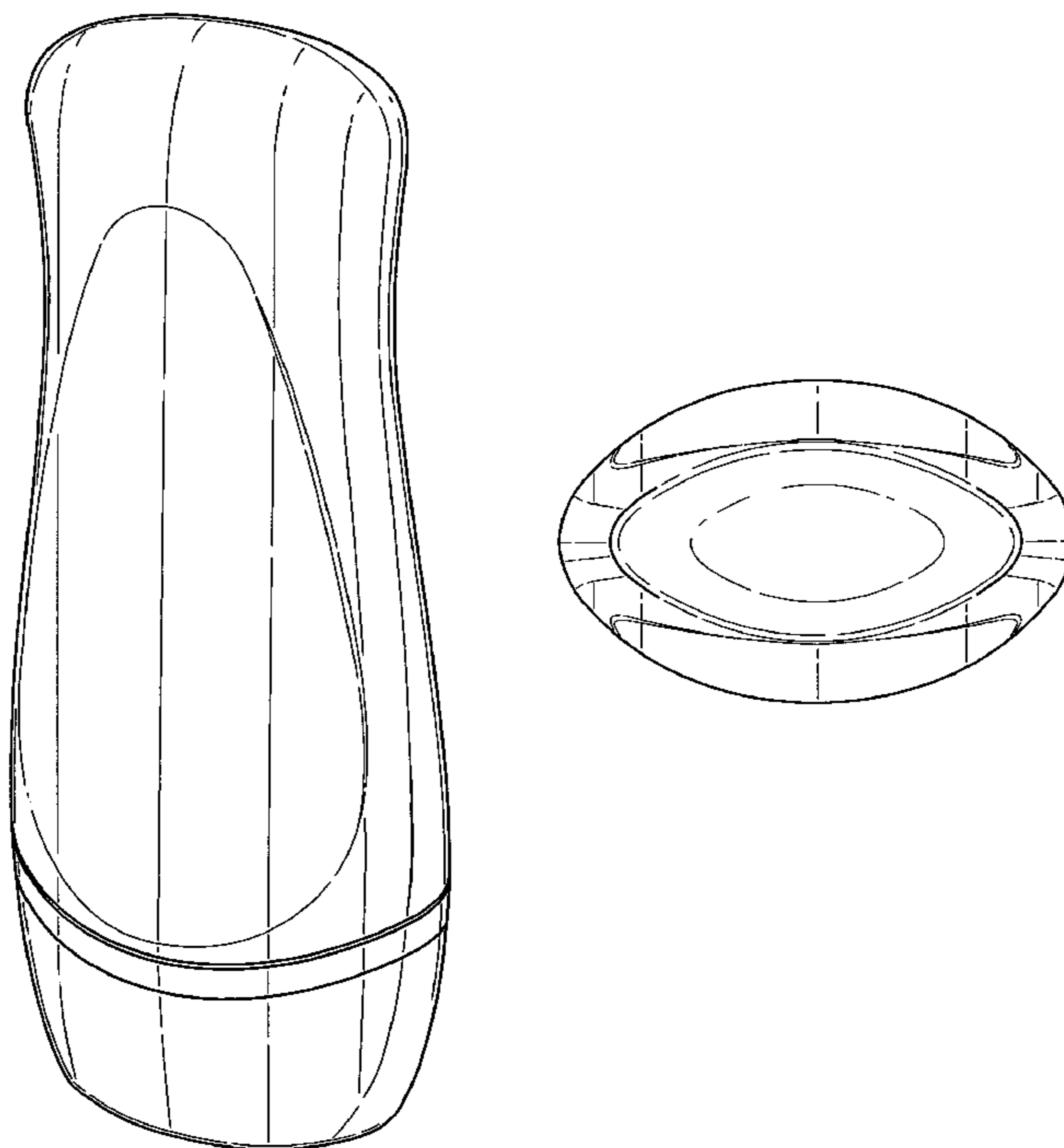




Fig.1.

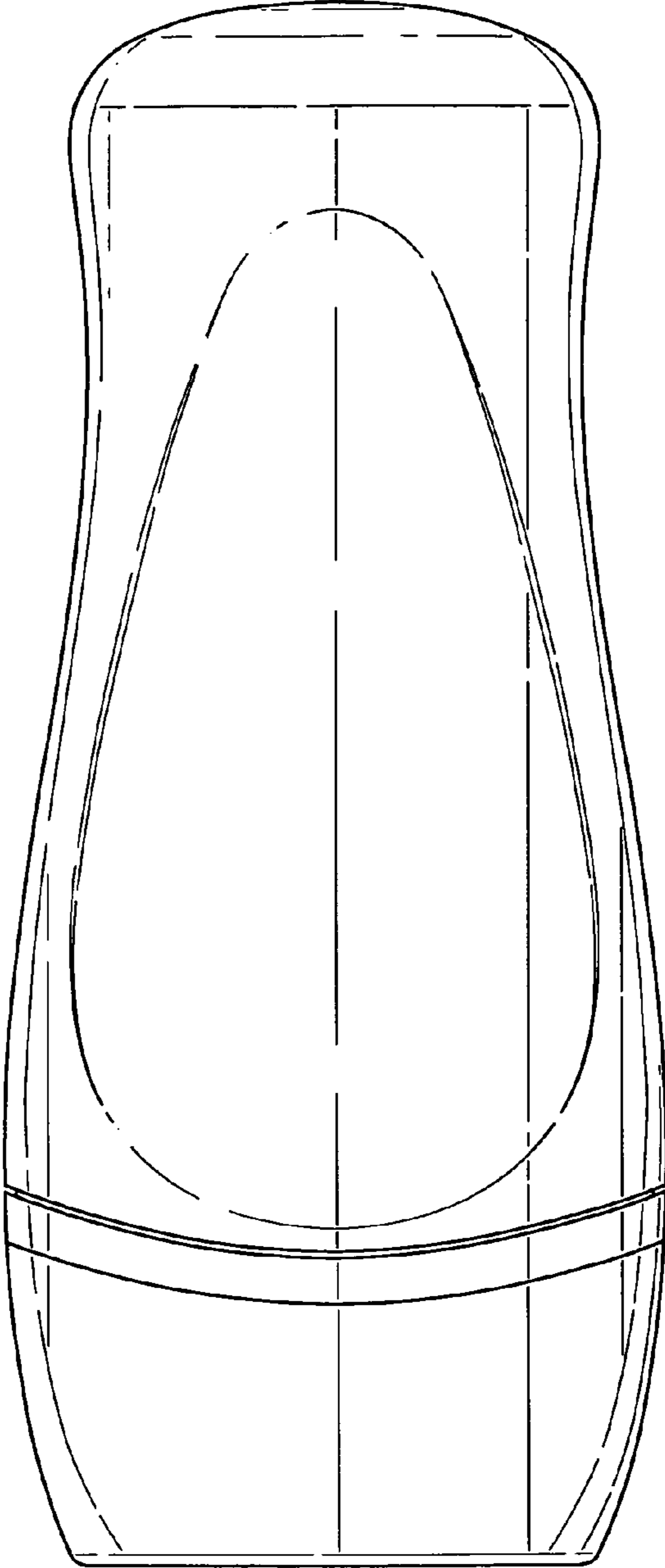


Fig.2.

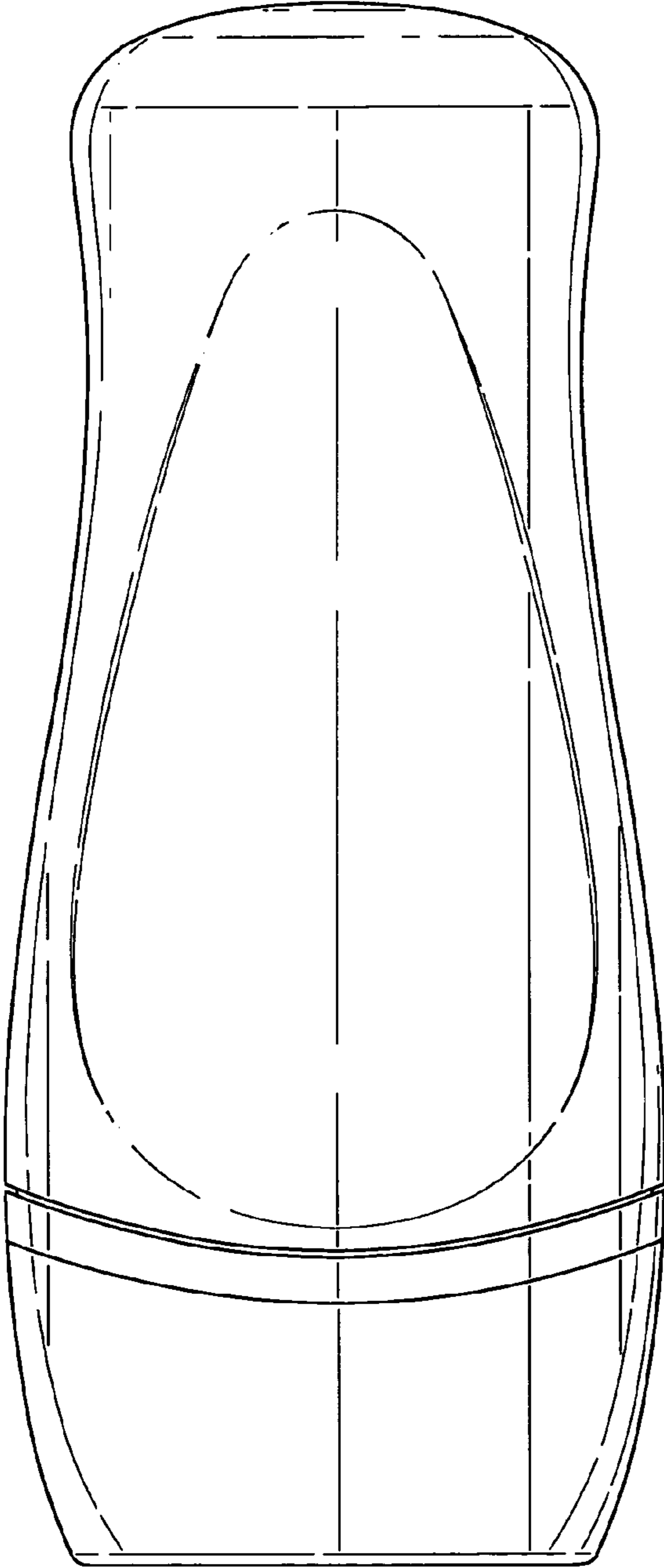


Fig.3.

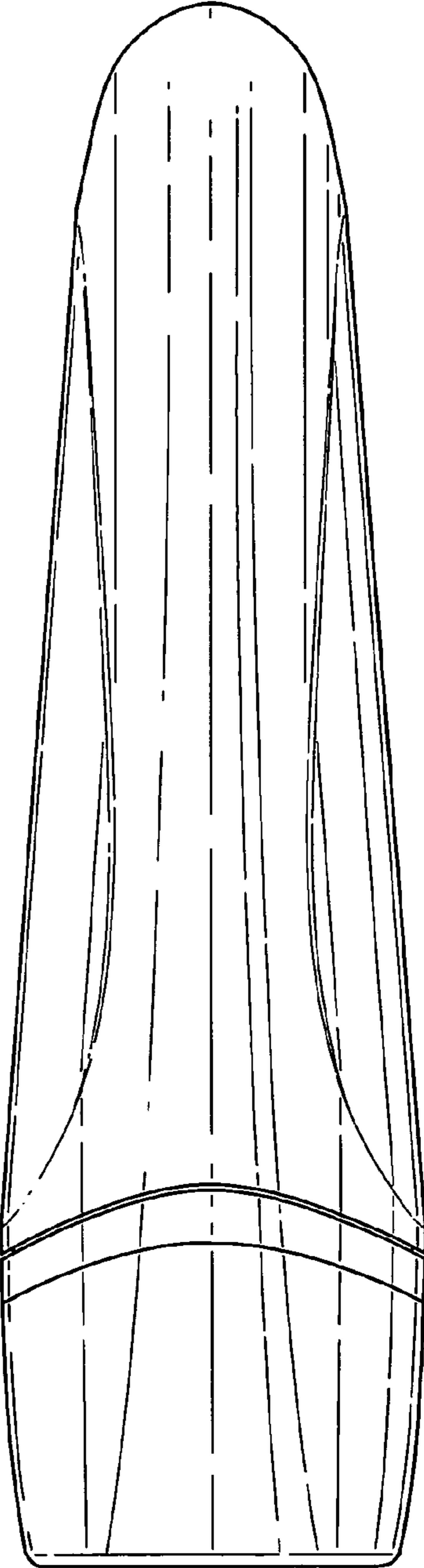


Fig.4.

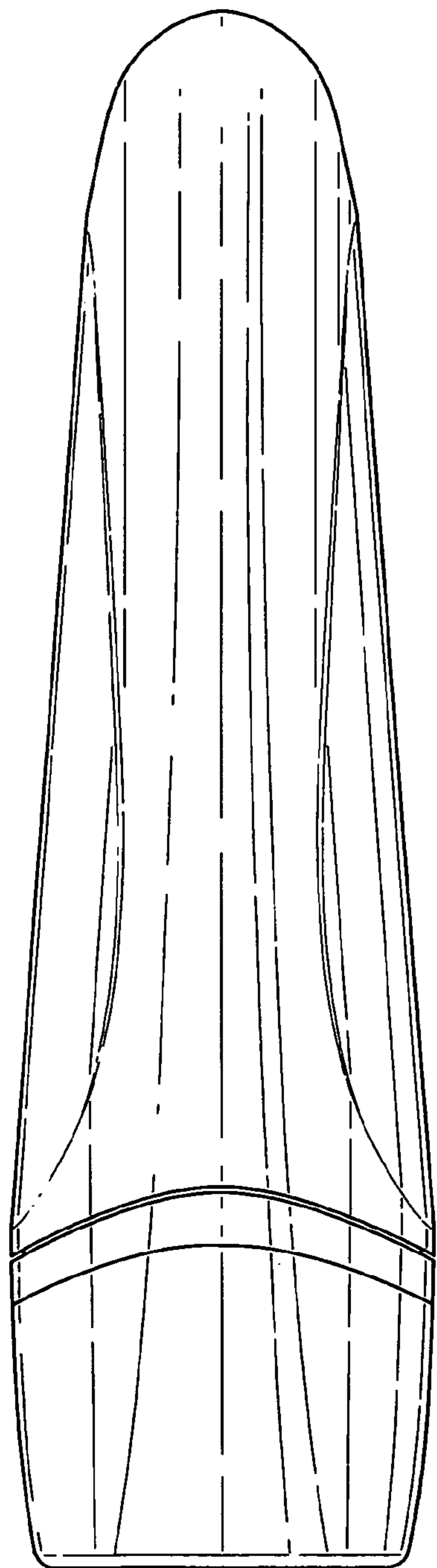


Fig.5.

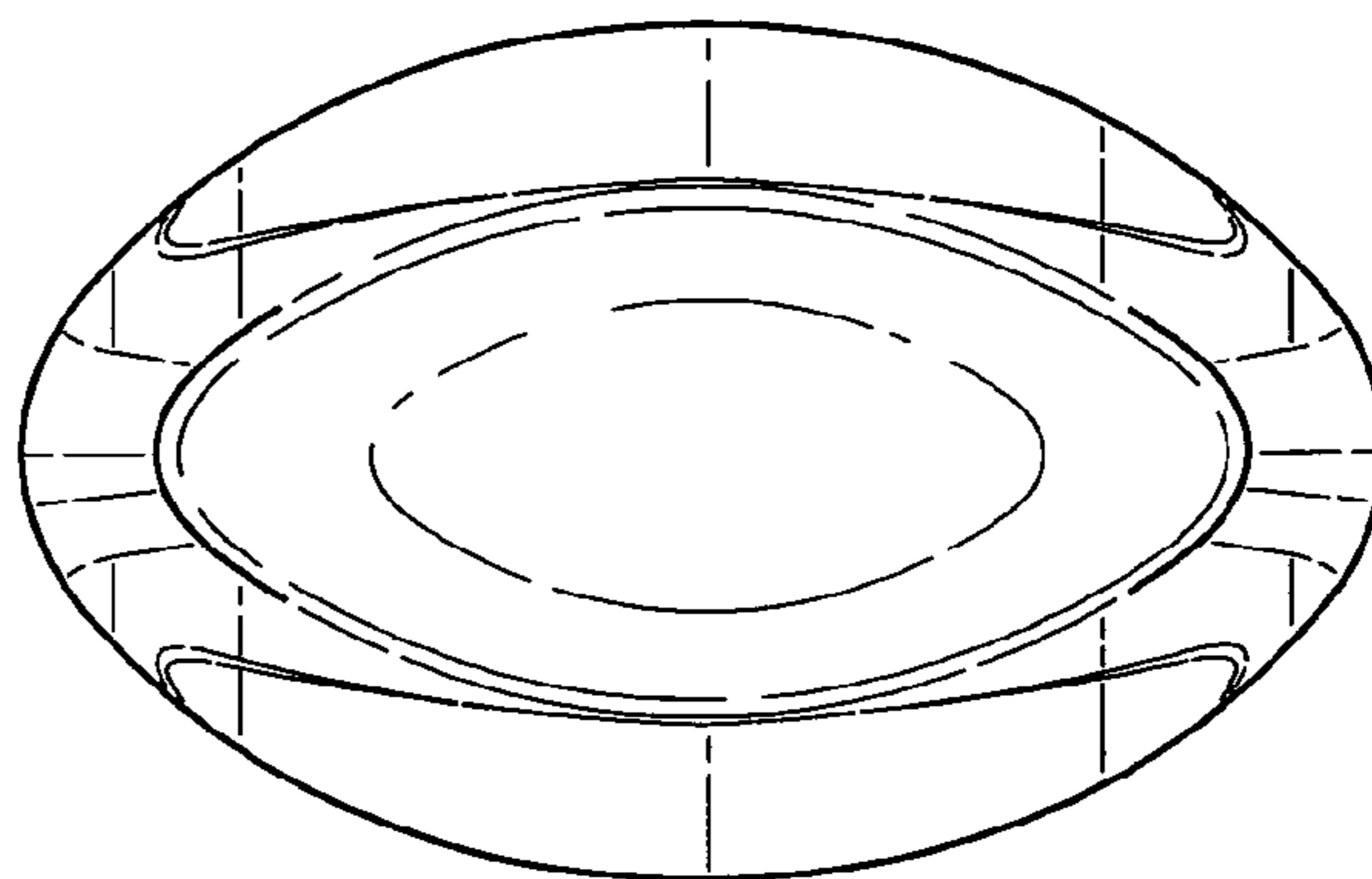


Fig.6.

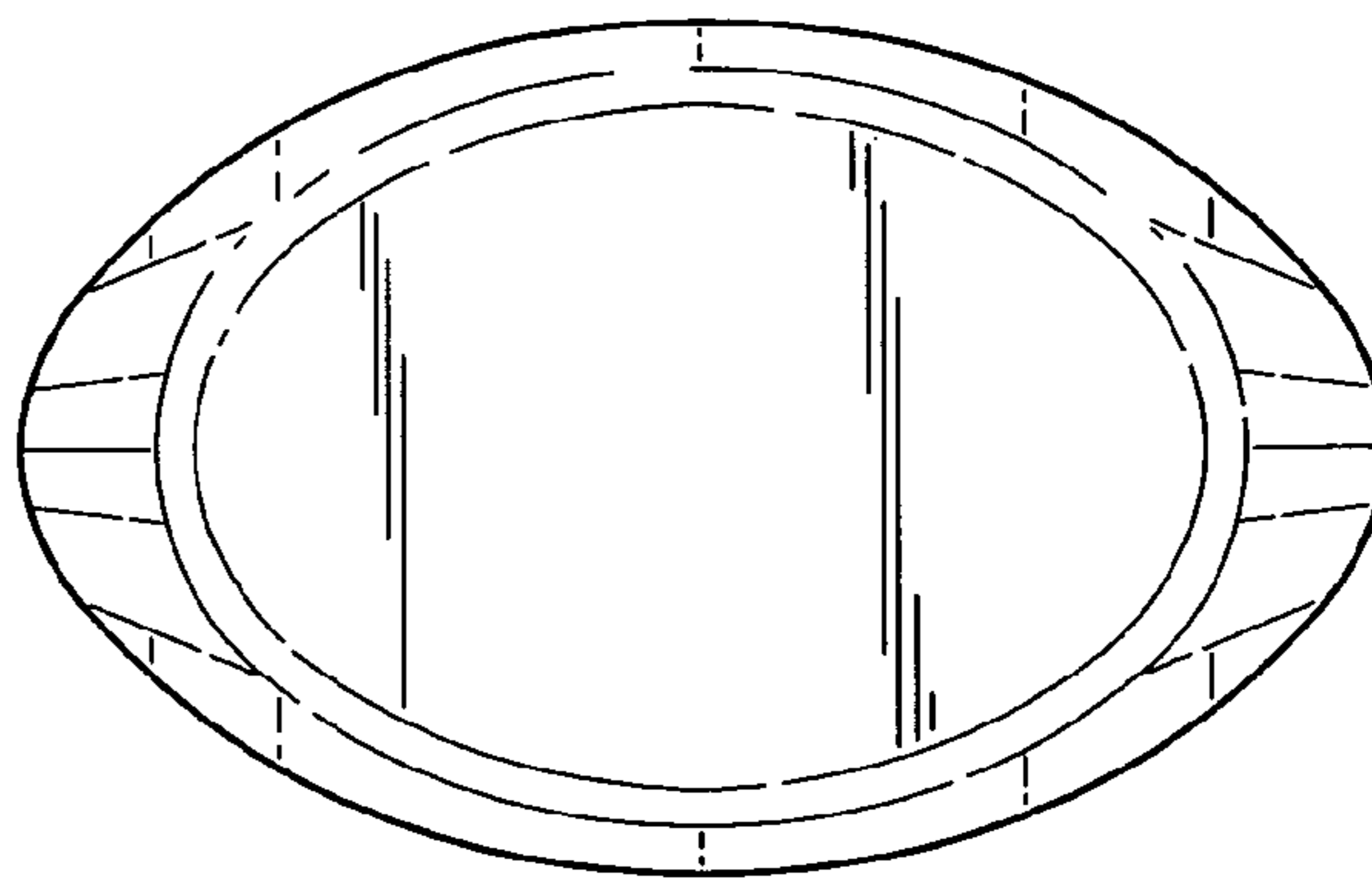


Fig.7.