

US00D595580S

(12) **United States Design Patent**  
**Cordero et al.**

(10) **Patent No.:** **US D595,580 S**

(45) **Date of Patent:** **\*\* Jul. 7, 2009**

(54) **CONTAINER WITH EXTERNAL RECESS**

(75) Inventors: **Jeffrey Cordero**, Rancho Santa Margarita, CA (US); **William McNeal, Jr.**, Ladera Ranch, CA (US); **Joseph Abbott**, Aliso Viejo, CA (US)

(73) Assignee: **Tri-Pack Enterprises, Inc.**, Escondido, CA (US)

(\*\*) Term: **14 Years**

(21) Appl. No.: **29/327,890**

(22) Filed: **Nov. 14, 2008**

(51) **LOC (9) Cl.** ..... **09-01**

(52) **U.S. Cl.** ..... **D9/516; D9/540**

(58) **Field of Classification Search** ..... D9/500,  
D9/516, 529, 530, 531, 535, 537, 538, 539,  
D9/540, 544, 545, 549, 555, 571, 575; 215/381-385  
See application file for complete search history.

(56) **References Cited**

**U.S. PATENT DOCUMENTS**

- 279,216 A 6/1883 Berlein
- 844,579 A 2/1907 Clements
- 1,240,072 A 9/1917 Maiden
- 1,276,018 A 8/1918 Blaetus
- 1,373,622 A 4/1921 Lloyd
- 1,607,863 A 11/1926 Betts
- 1,725,726 A 8/1929 Ament
- 1,768,771 A 7/1930 Tourrette
- 2,026,681 A 1/1936 Janssens
- 2,374,092 A 4/1945 Glaser
- 2,487,274 A 11/1949 Schaffer
- 2,738,900 A 3/1956 Wenger
- 2,770,382 A \* 11/1956 Ritter ..... 215/42
- 2,832,517 A 4/1958 Baumgartner
- 3,069,046 A 12/1962 Gram
- 3,080,081 A 3/1963 Gram
- 3,312,366 A 4/1967 Poris
- 3,526,313 A 9/1970 Kull et al.
- D224,202 S \* 7/1972 Boden ..... D9/543
- 3,679,093 A 7/1972 Chang

- 3,722,779 A 3/1973 Chang
- D231,904 S \* 6/1974 Boden ..... D9/543
- D241,011 S \* 8/1976 Pettangill ..... D9/500
- 4,095,716 A 6/1978 Meany
- D257,549 S 11/1980 Chapman
- 4,232,785 A 11/1980 Lucas
- 4,257,525 A 3/1981 Thompson
- D284,941 S \* 8/1986 Porteous ..... D9/540
- 4,805,814 A 2/1989 Allen, Sr.
- 4,932,542 A 6/1990 Chen et al.
- 4,964,522 A 10/1990 Umetsu et al.

(Continued)

**FOREIGN PATENT DOCUMENTS**

GB 606457 8/1948

*Primary Examiner*—Stella M Reid  
*Assistant Examiner*—Elizabeth J Oswecki  
(74) *Attorney, Agent, or Firm*—Advantage IP Law Firm

(57) **CLAIM**

The ornamental design for a container with external recess, as shown and described.

**DESCRIPTION**

FIG. 1 is a right upper perspective view of a container with external recess showing my new design;

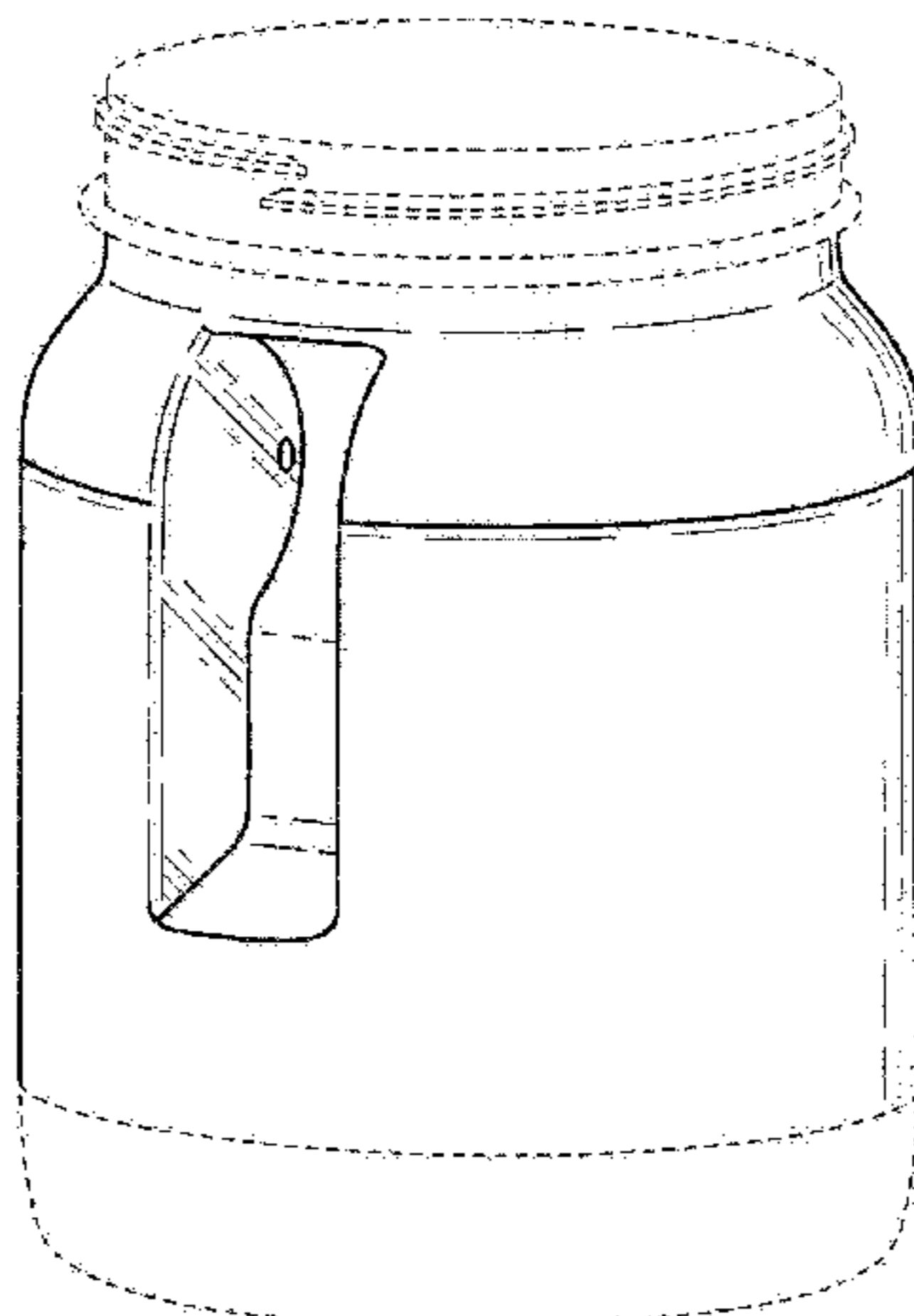
FIG. 2 is a front view thereof;

FIG. 3 is a rear view thereof, the left side and right side views being identical; and,

FIG. 4 is a top view thereof.

All dashed lines are for environmental purposes only and form no part of the claimed design. The bottom surface of the container does not contain any ornamentality.

**1 Claim, 2 Drawing Sheets**



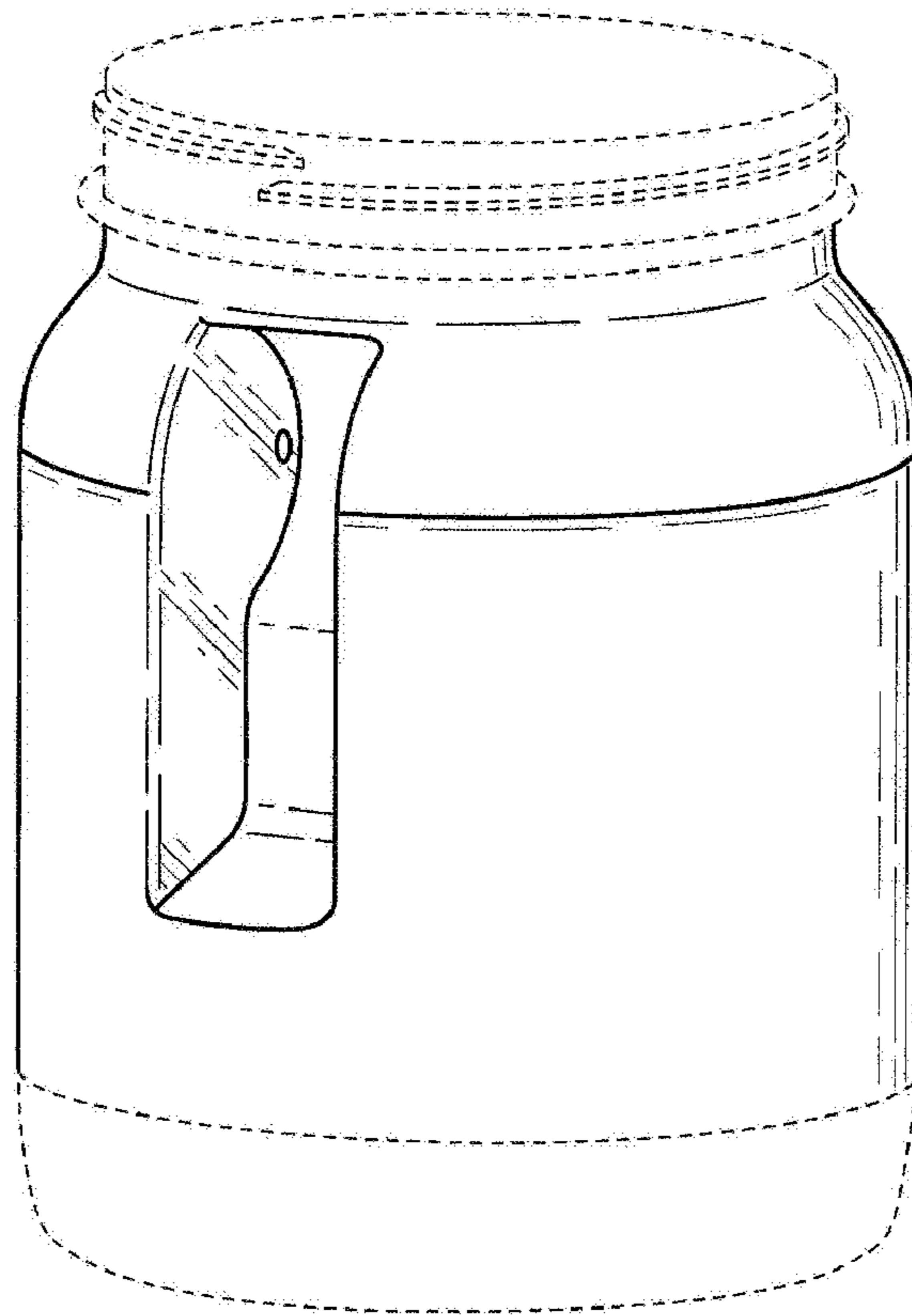
# US D595,580 S

Page 2

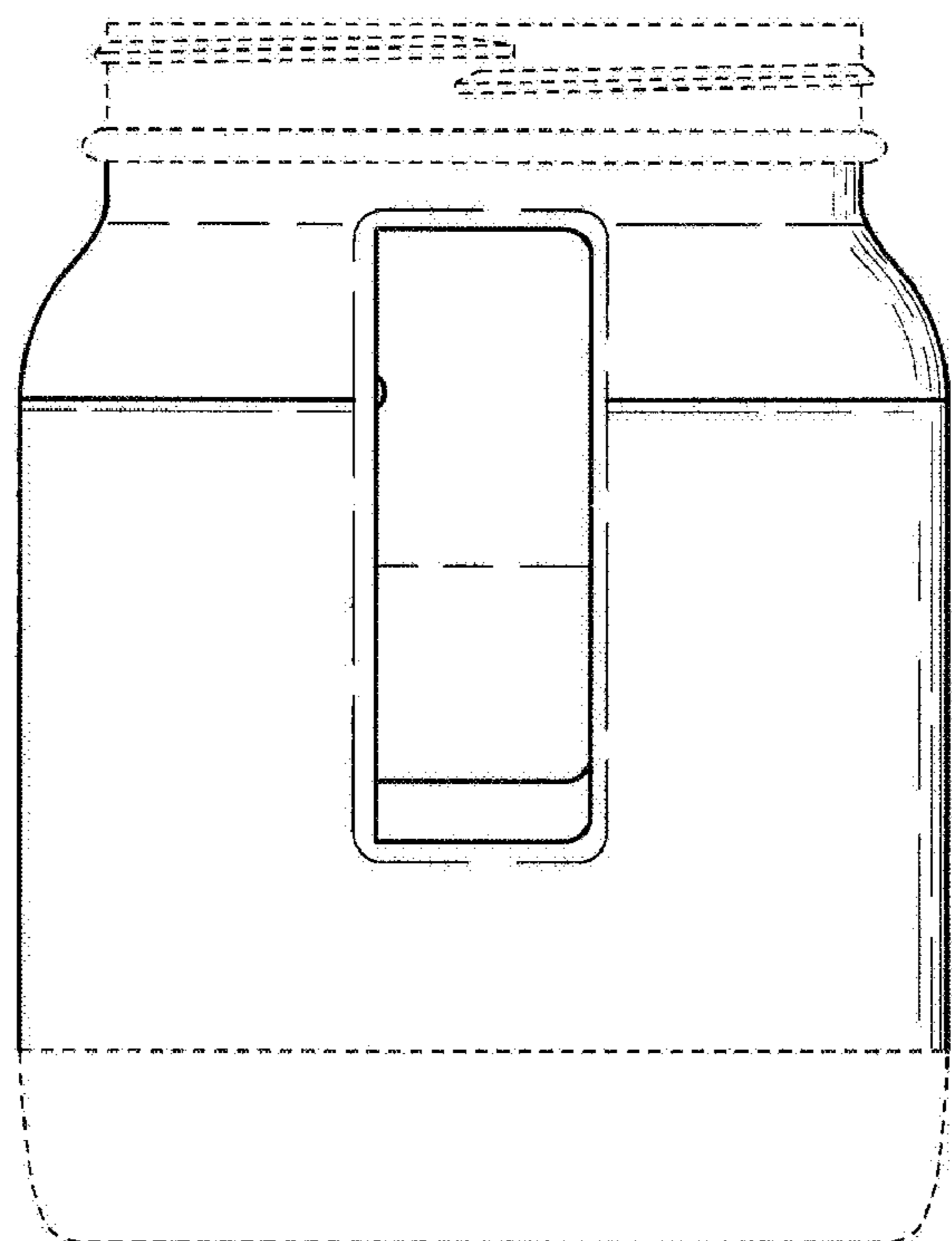
## U.S. PATENT DOCUMENTS

D322,027	S	*	12/1991	Knudsen et al. ....	D9/516	6,302,608	B1	10/2001	Holmes et al.	
5,143,263	A		9/1992	Newell		D462,270	S	*	9/2002	Renz ..... D9/537
5,165,558	A		11/1992	Cargile		D489,619	S	*	5/2004	Henderson Goodell et al. .... D9/500
D336,035	S	*	6/1993	Baker .....	D9/669	6,840,395	B2	1/2005	Agarwal et al.	
5,244,106	A		9/1993	Takacs		D507,184	S	*	7/2005	Beaver et al. .... D9/530
5,415,309	A		5/1995	Wang		D548,604	S	*	8/2007	Rica ..... D9/540
5,482,095	A		1/1996	de Chollet		D563,788	S	*	3/2008	Reimann et al. .... D9/516
D387,672	S	*	12/1997	Biesecker .....	D9/540	D580,766	S	*	11/2008	Young et al. .... D9/516
5,706,974	A		1/1998	Murdick et al.		D588,918	S	*	3/2009	Young et al. .... D9/516
5,941,411	A		8/1999	Langenbach		2005/0035122	A1	2/2005	Ekkert	
6,116,450	A		9/2000	Huang		2006/0000840	A1	1/2006	Kipperman et al.	
6,196,406	B1		3/2001	Ennis						

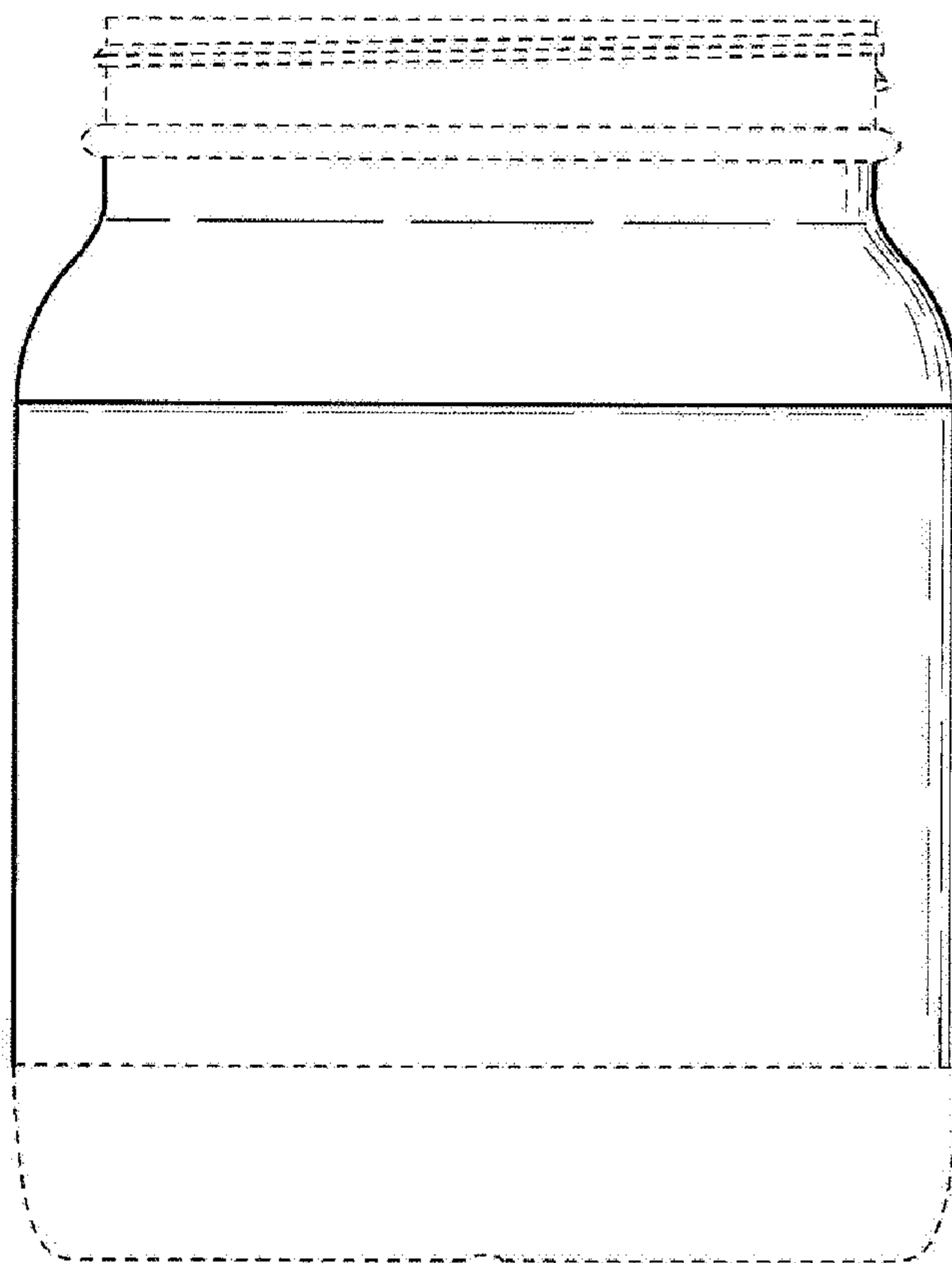
\* cited by examiner



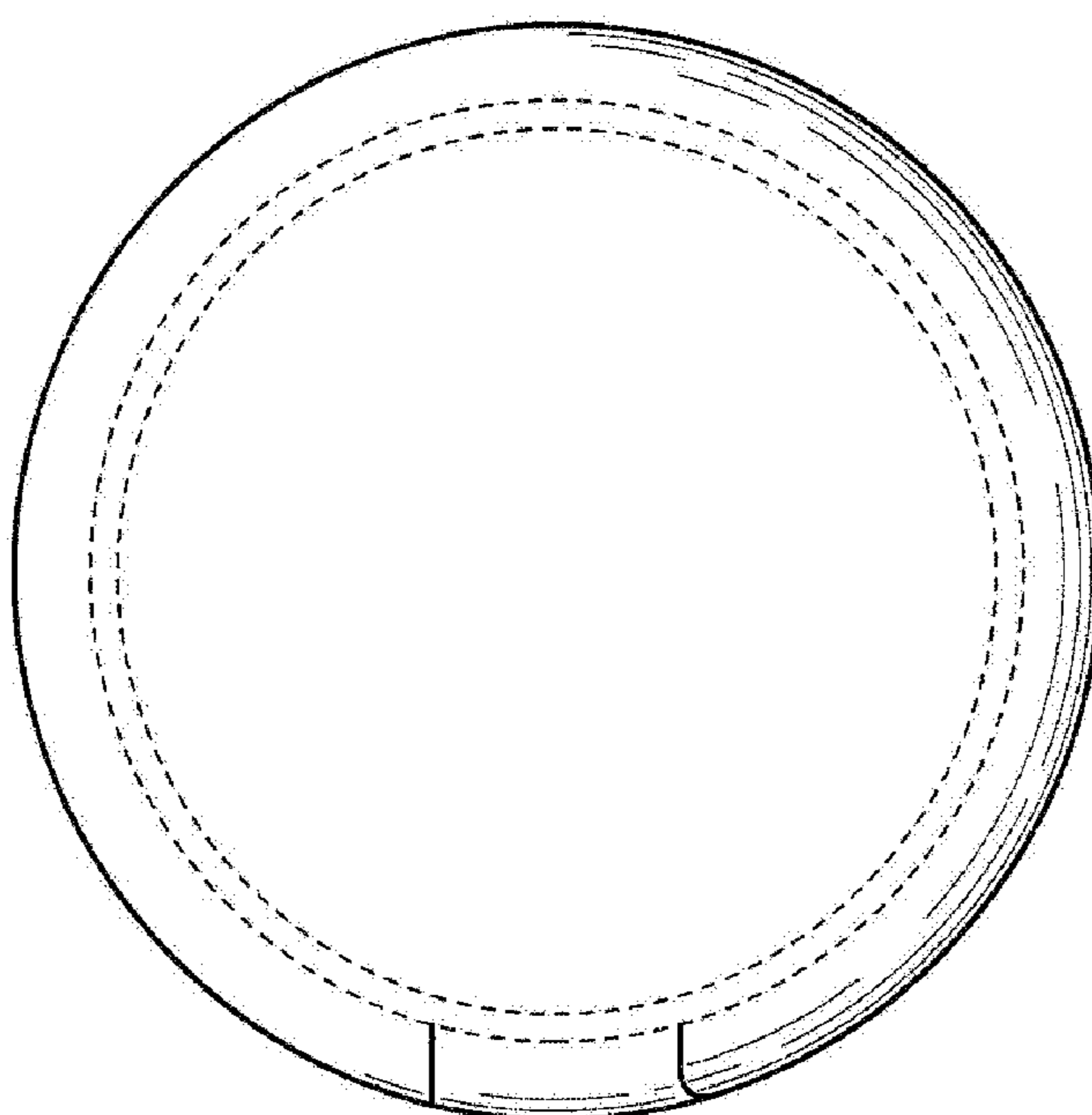
**FIG. 1**



**FIG. 2**



**FIG. 3**



**FIG. 4**