



US00D595577S

(12) **United States Design Patent**
Uneno

(10) **Patent No.:** **US D595,577 S**
(45) **Date of Patent:** **** Jul. 7, 2009**

(54) **JAR FOR SKIN CREAM**

(75) Inventor: **Yuji Uneno**, Tokyo (JP)

(73) Assignee: **Shiseido Co., Ltd.**, Tokyo (JP)

(**) Term: **14 Years**

(21) Appl. No.: **29/300,855**

(22) Filed: **May 22, 2008**

(51) **LOC (9) Cl.** **09-01**

(52) **U.S. Cl.** **D9/504; D9/667; D28/76**

(58) **Field of Classification Search** D7/602,
D7/605, 608, 629; D9/500, 502–504, 516,
D9/529, 549, 552, 556, 558, 686, 688, 690,
D9/692, 667; D28/76, 82; 215/379, 381–382;
220/660, 662, 665, 669–673, 675, 677
See application file for complete search history.

(56) **References Cited**

U.S. PATENT DOCUMENTS

- D392,192 S * 3/1998 Fiore D9/529
- D472,806 S * 4/2003 Bezek et al. D9/428
- D484,644 S * 12/2003 Noh D28/76
- D486,393 S * 2/2004 Chuang D9/503
- D495,956 S * 9/2004 Martinez D9/529
- D555,835 S * 11/2007 Song D28/76

D582,283 S * 12/2008 O'Donahue D9/529

* cited by examiner

Primary Examiner—Ian Simmons

Assistant Examiner—Dana L Sipos

(74) *Attorney, Agent, or Firm*—Manabu Kanesaka

(57) **CLAIM**

The ornamental design for a jar for skin cream, as shown and described.

DESCRIPTION

FIG. 1 is a top, front, right side perspective view of a jar for skin cream showing my new design;

FIG. 2 is a front elevation view thereof;

FIG. 3 is a rear elevation view thereof;

FIG. 4 is a top plan view thereof;

FIG. 5 is a bottom plan view thereof;

FIG. 6 is a right side elevation view thereof, the left side elevation view being a mirror image; and,

FIG. 7 is a cross-section view thereof, taken along the line 3—3 in the FIG. 4 drawing view.

The broken lines in the drawings showing the inside structure illustrate the portions of the design that form no part of the claim.

1 Claim, 4 Drawing Sheets

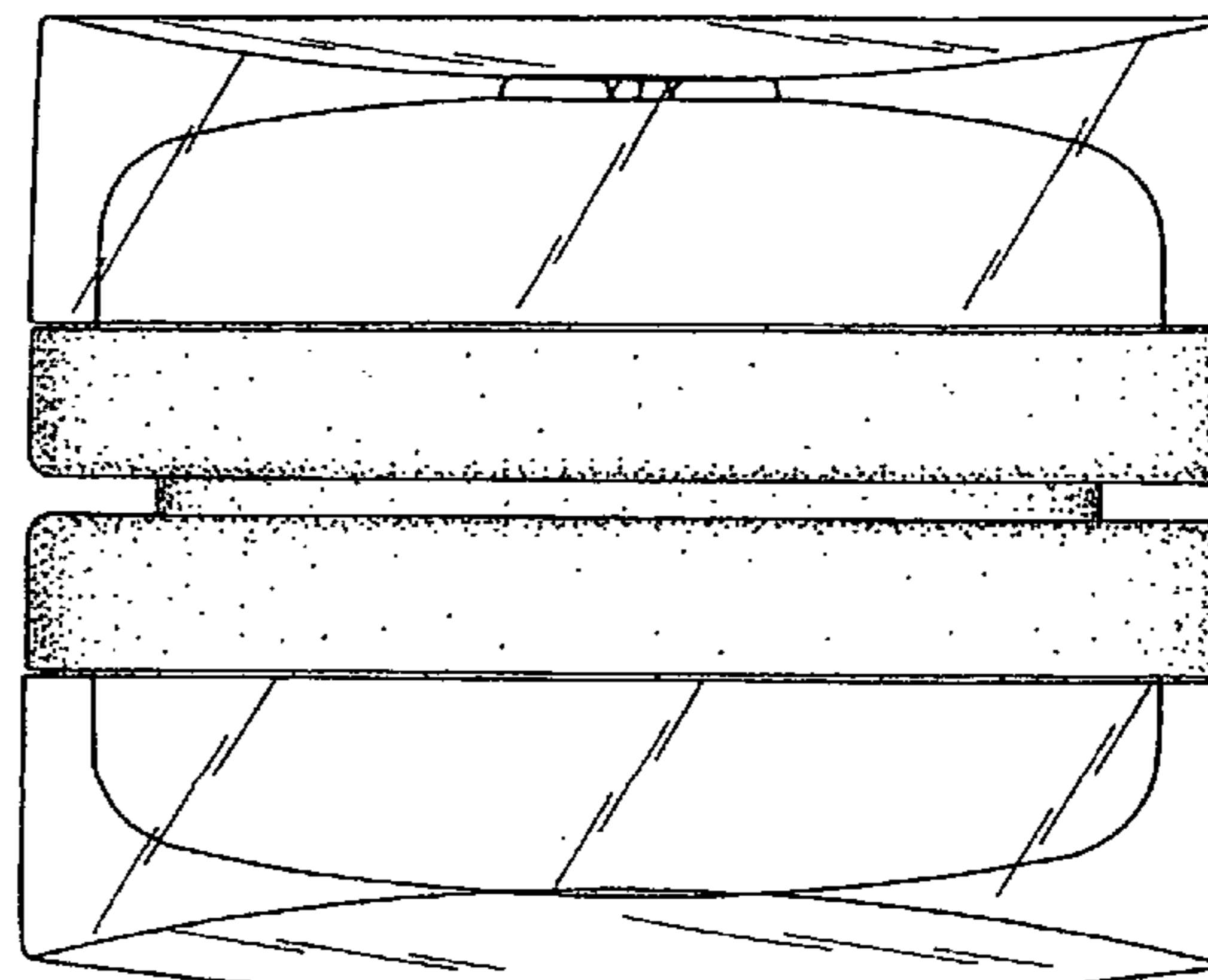
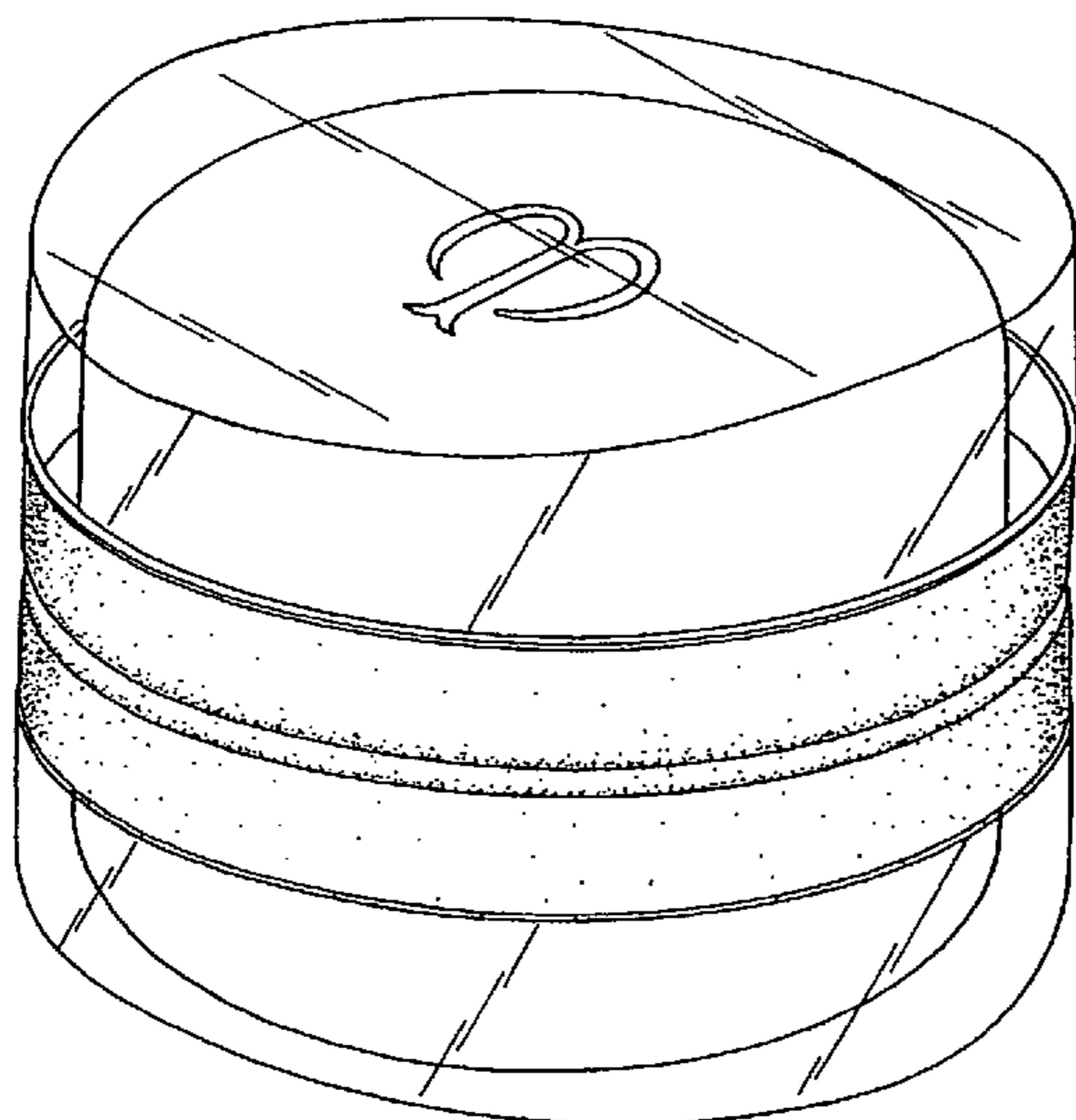


Fig. 1

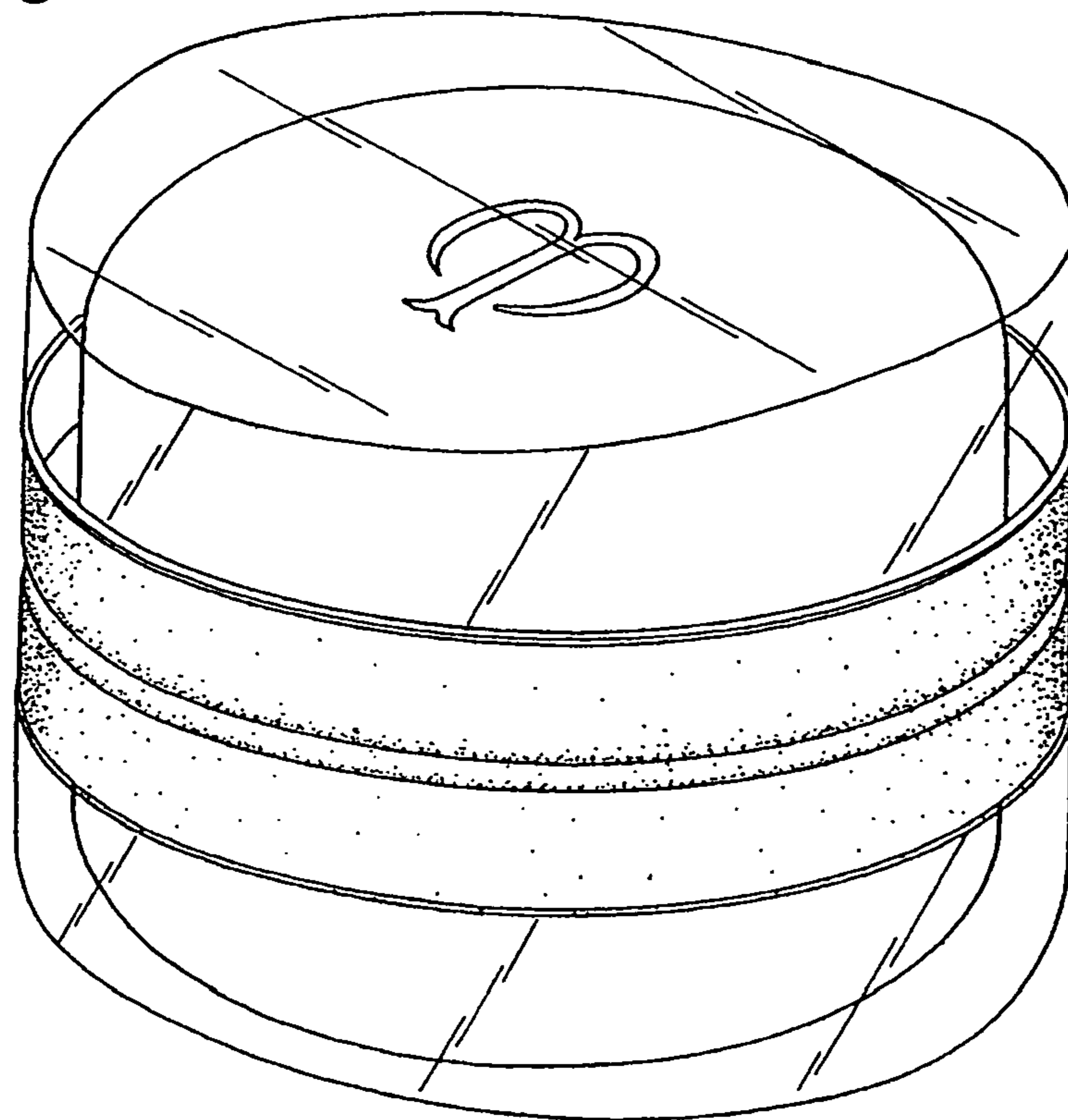


Fig. 2

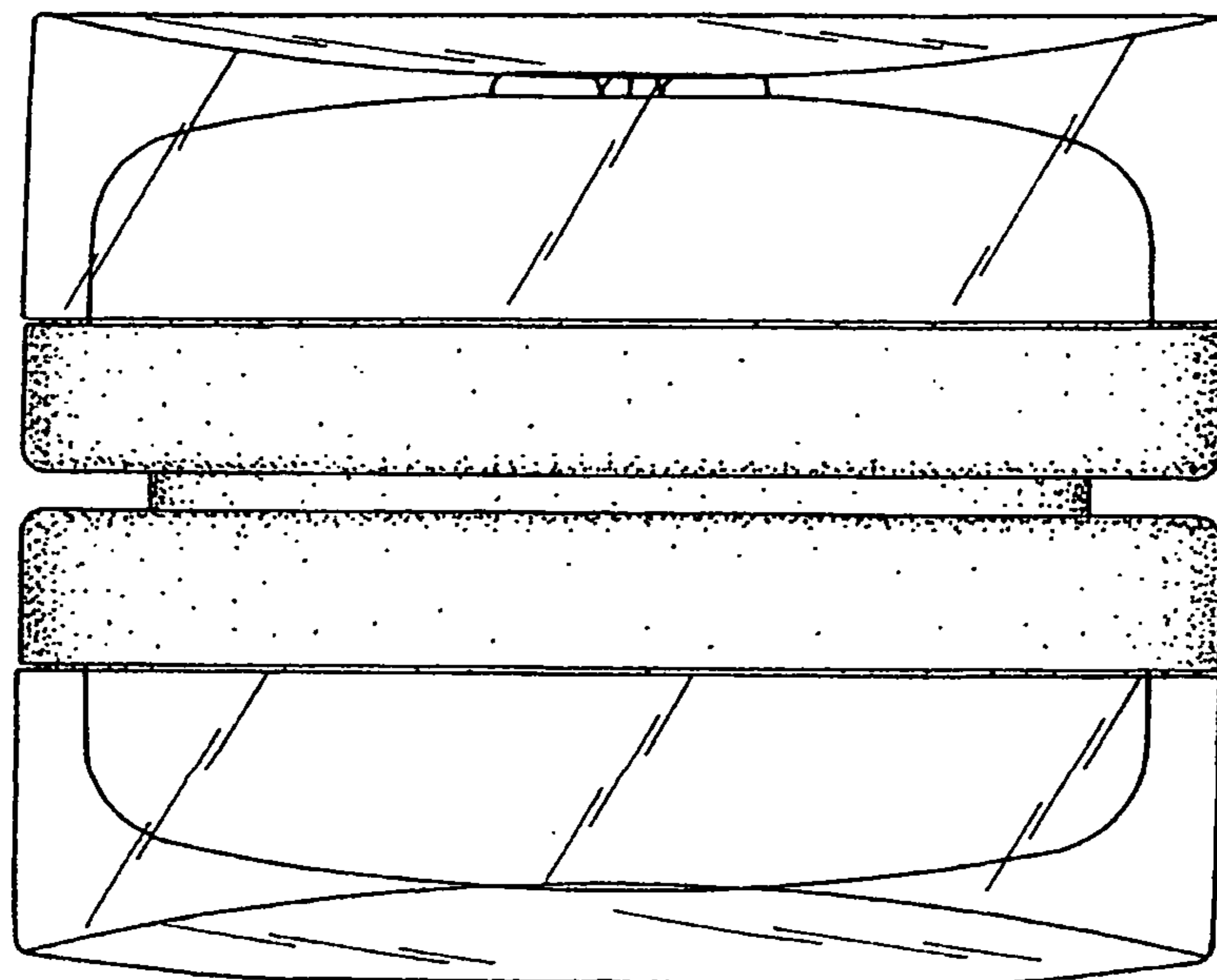


Fig. 3

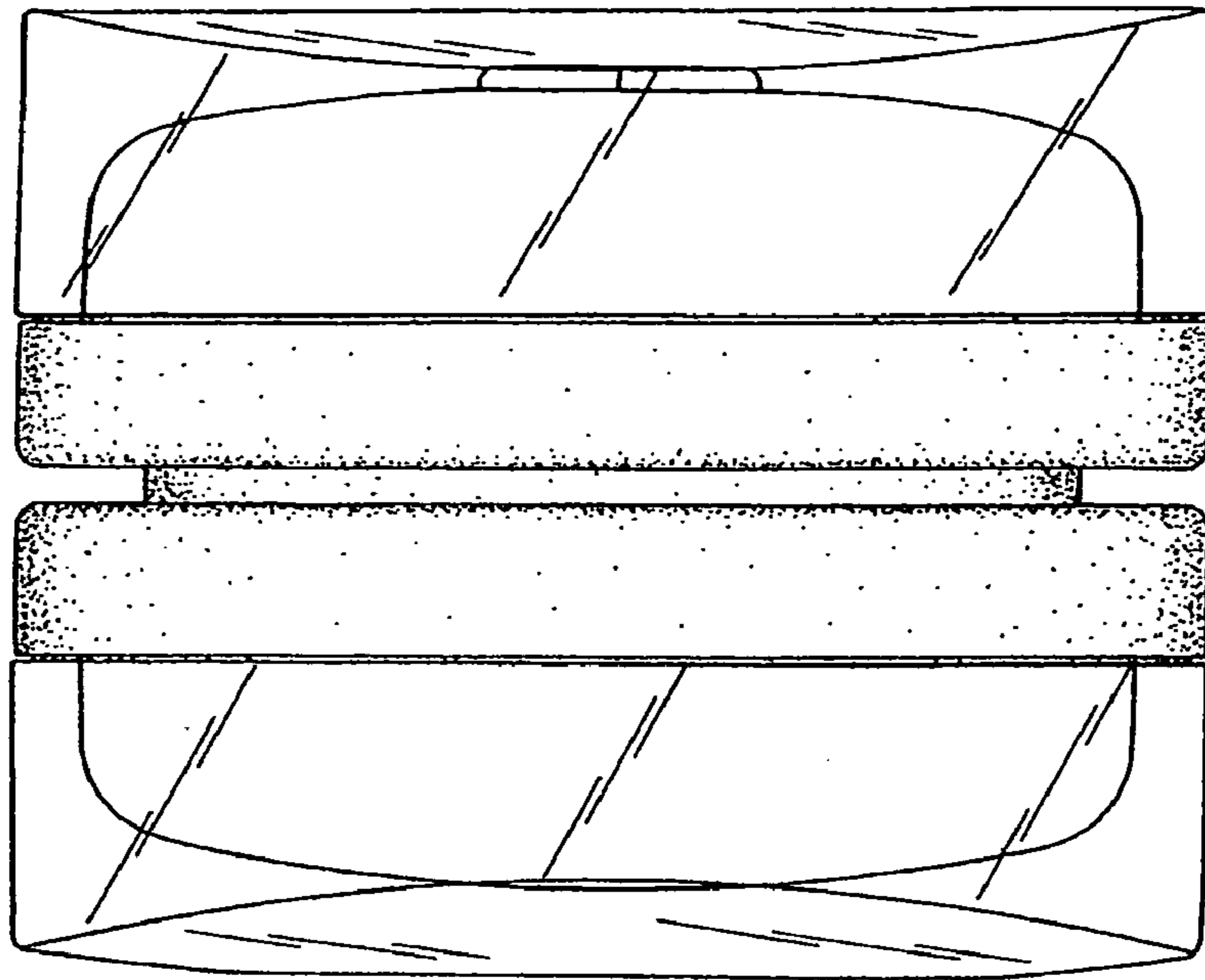


Fig. 4

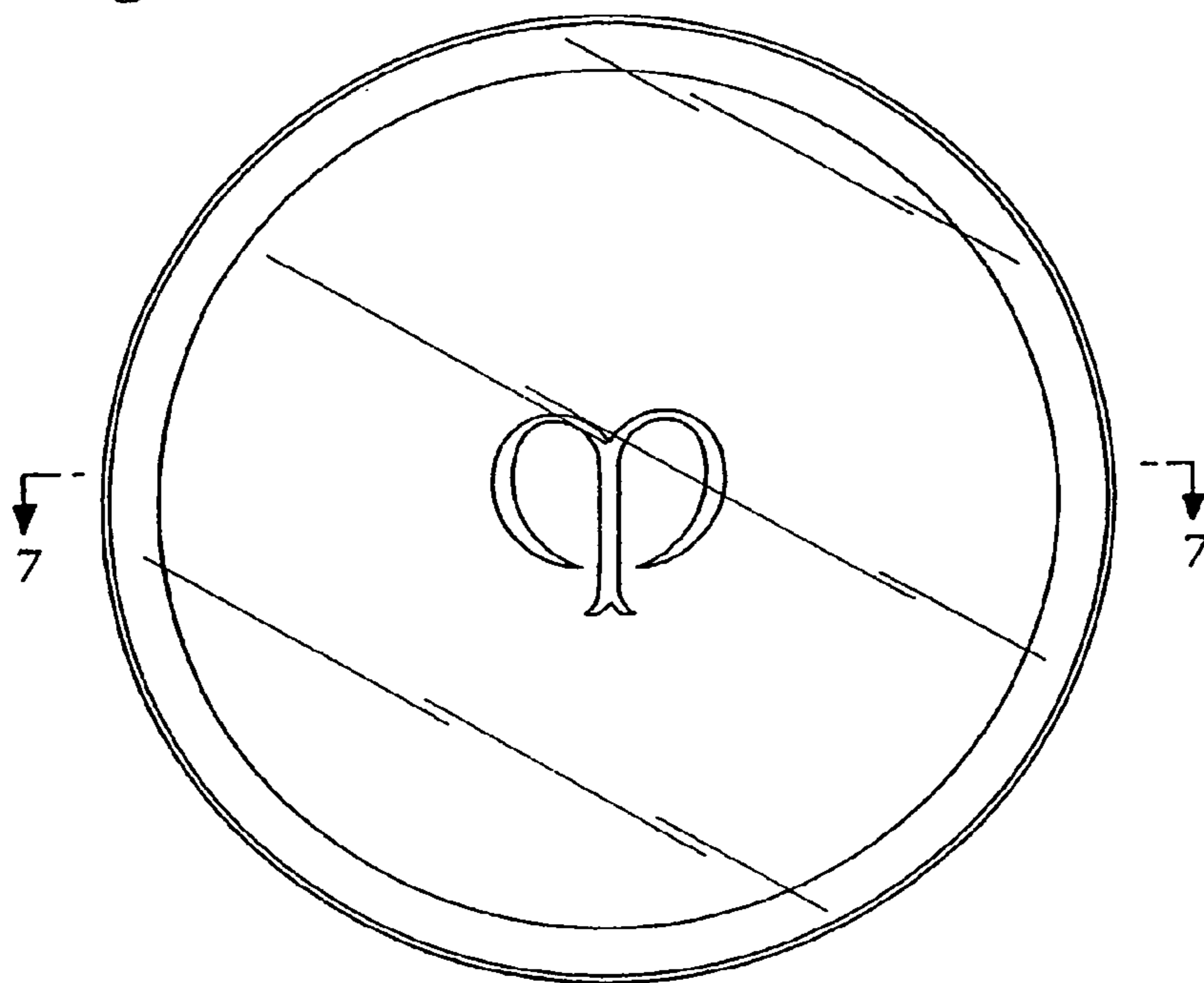


Fig. 5

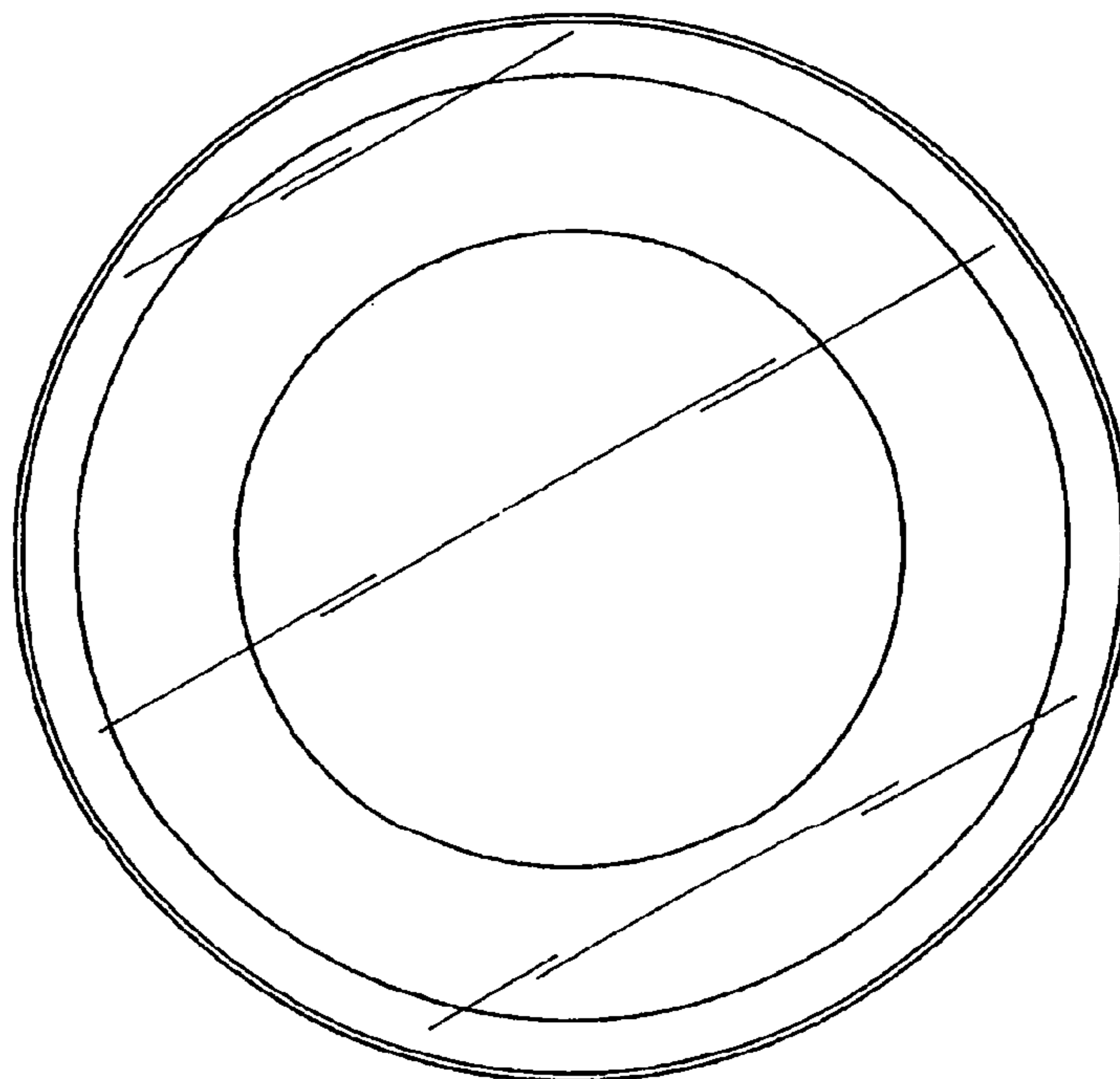


Fig. 6

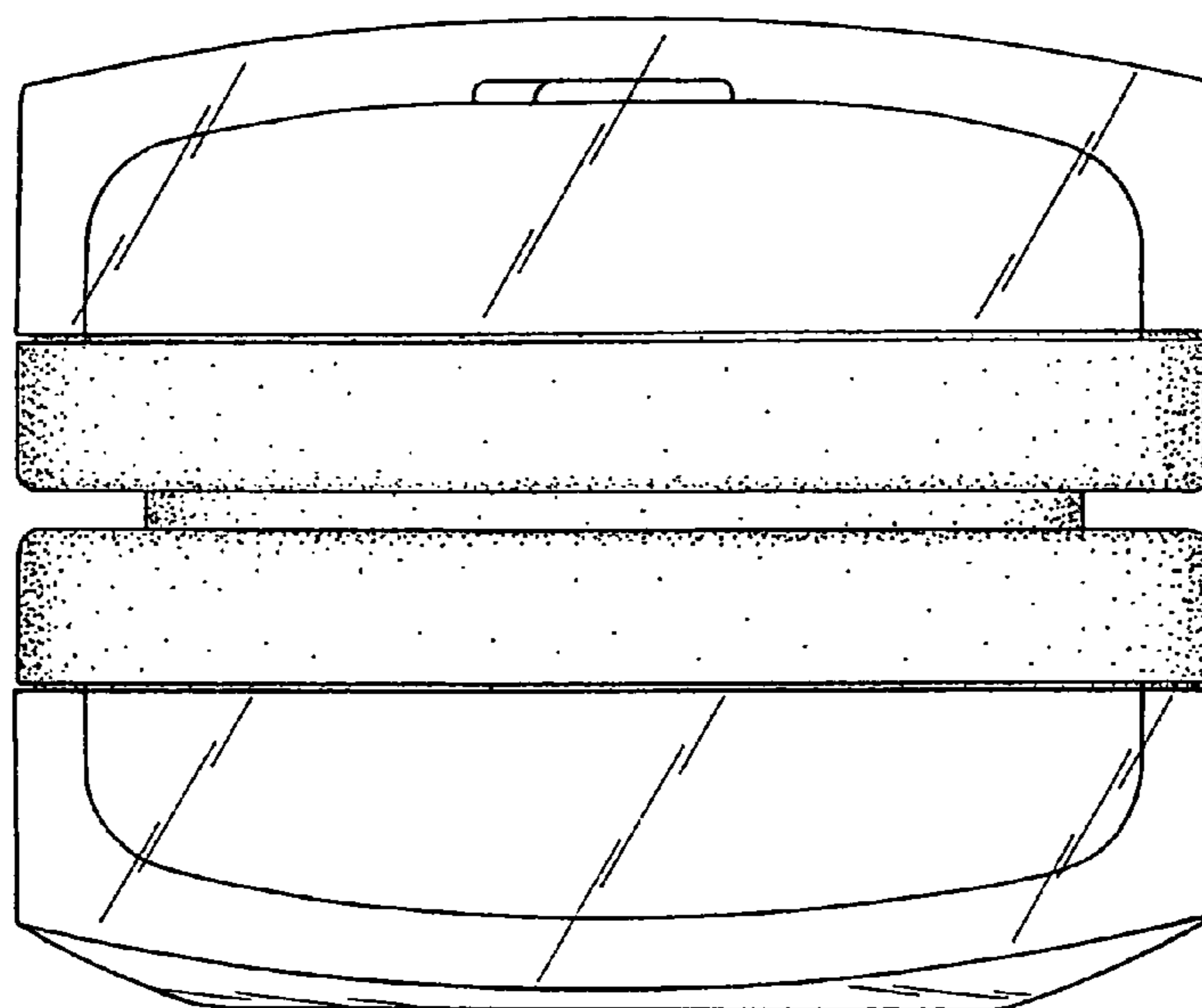


Fig. 7

