

US00D595574S

(12) **United States Design Patent**
Ellinghausen

(10) **Patent No.:** **US D595,574 S**

(45) **Date of Patent:** **** Jul. 7, 2009**

(54) **GRADUATED DISPENSING CAP**

(75) Inventor: **Craig W. Ellinghausen**, Wheaton, IL
(US)

(73) Assignee: **Midwest Printing, Inc.**, Wheaton, IL
(US)

(**) Term: **14 Years**

(21) Appl. No.: **29/328,003**

(22) Filed: **Nov. 17, 2008**

Related U.S. Application Data

(63) Continuation of application No. 29/279,667, filed on
May 4, 2007, now Pat. No. Des. 580,757.

(51) **LOC (9) Cl.** **09-07**

(52) **U.S. Cl.** **D9/447**

(58) **Field of Classification Search** D9/733,
D9/726, 529, 501, 503, 454, 450, 449, 447,
D9/440, 435; D28/7; D24/224; 222/566,
222/562, 255, 254.1, 369; 220/288, 259.3,
220/257.1, 256.1, 254.1, 212; 215/252; D7/679,
D7/678, 589, 414, 697

See application file for complete search history.

(56) **References Cited**

U.S. PATENT DOCUMENTS

- D128,075 S 7/1941 Mellinger
- D148,482 S 1/1948 Pla
- D152,554 S * 2/1949 May D19/74
- D235,501 S 6/1975 Mantelet
- D235,502 S 6/1975 Mantelet
- D250,035 S * 10/1978 Kajiwara D19/73
- D251,008 S * 2/1979 Kajiwara D19/73

- D304,897 S 12/1989 Lin
- D327,015 S 6/1992 Stallings
- D345,501 S 3/1994 Prince
- D405,830 S * 2/1999 Mak D19/73
- D493,074 S * 7/2004 Brousseau et al. D7/678

* cited by examiner

Primary Examiner—Susan Bennett Hattan

(74) *Attorney, Agent, or Firm*—McAndrews, Held & Malloy,
Ltd.

(57) **CLAIM**

The ornamental design for a graduated dispensing cap, as
shown and described.

DESCRIPTION

FIG. 1 is a perspective view of a graduated dispensing cap
showing my new design;

FIG. 2 is a top plan view of the graduated dispensing cap of
FIG. 1;

FIG. 3 is a front elevational view of the graduated dispensing
cap of FIG. 1;

FIG. 4 is a rear elevational view of the graduated dispensing
cap of FIG. 1;

FIG. 5 is a right-side elevational view of the graduated dis-
pensing cap of FIG. 1; and,

FIG. 6 is a left-side elevational view of the graduated dispens-
ing cap of FIG. 1.

The broken lines shown in the Figures are for the purpose of
illustrating the environmental structure of the handle portion
and the connector portion of the graduated dispensing cap and
are not part of the claimed design.

1 Claim, 4 Drawing Sheets

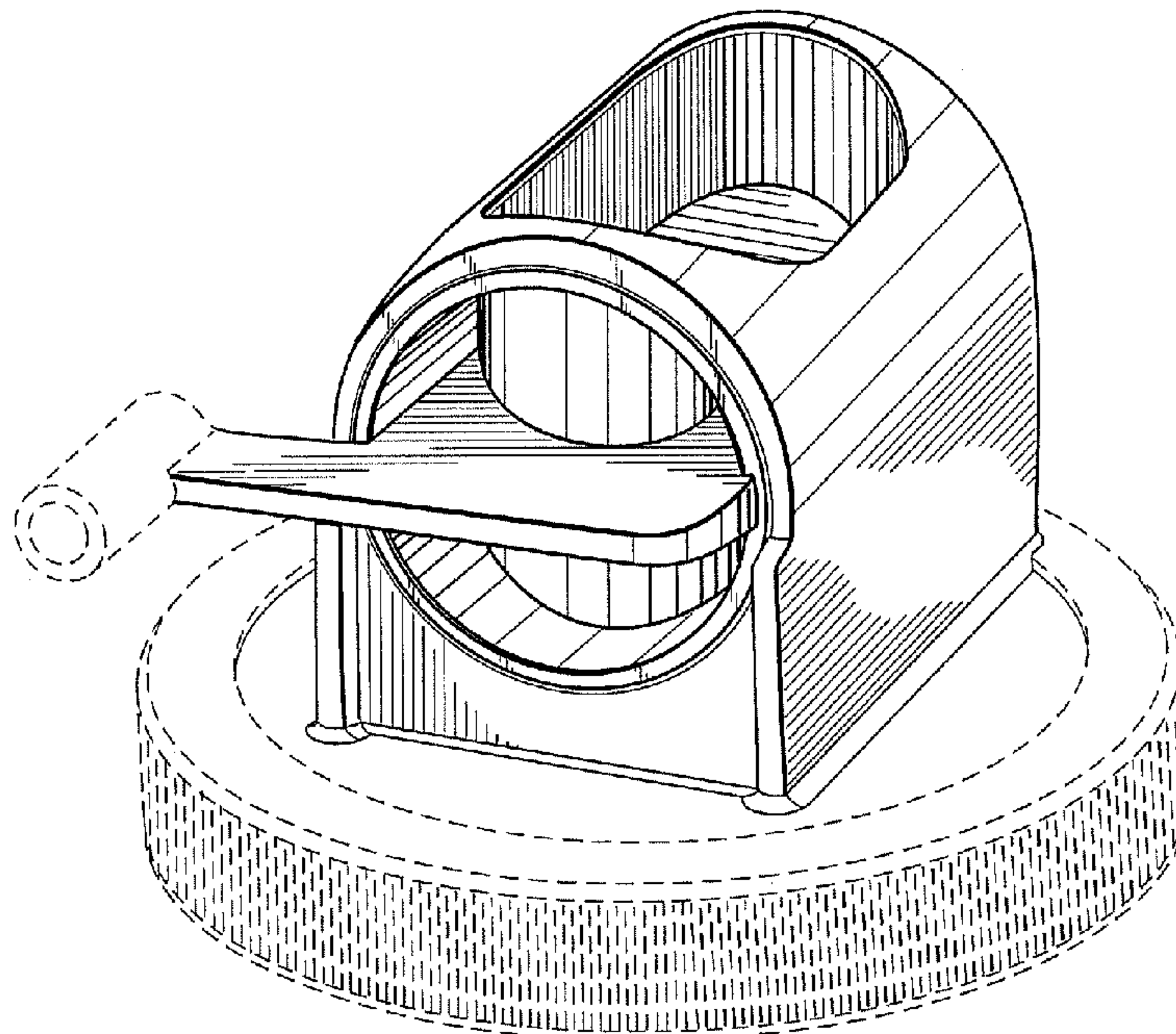


Fig. 1

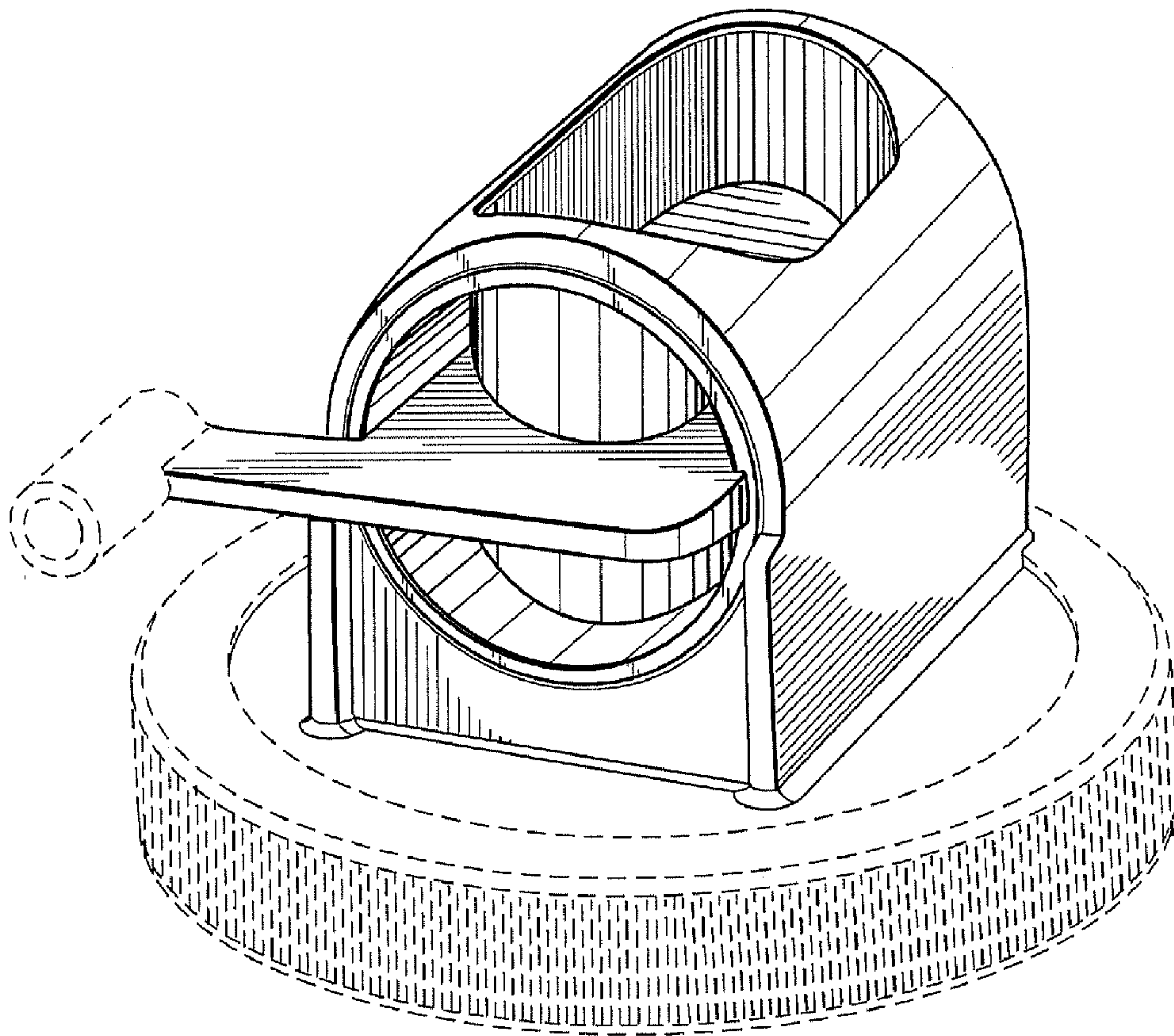


Fig. 2

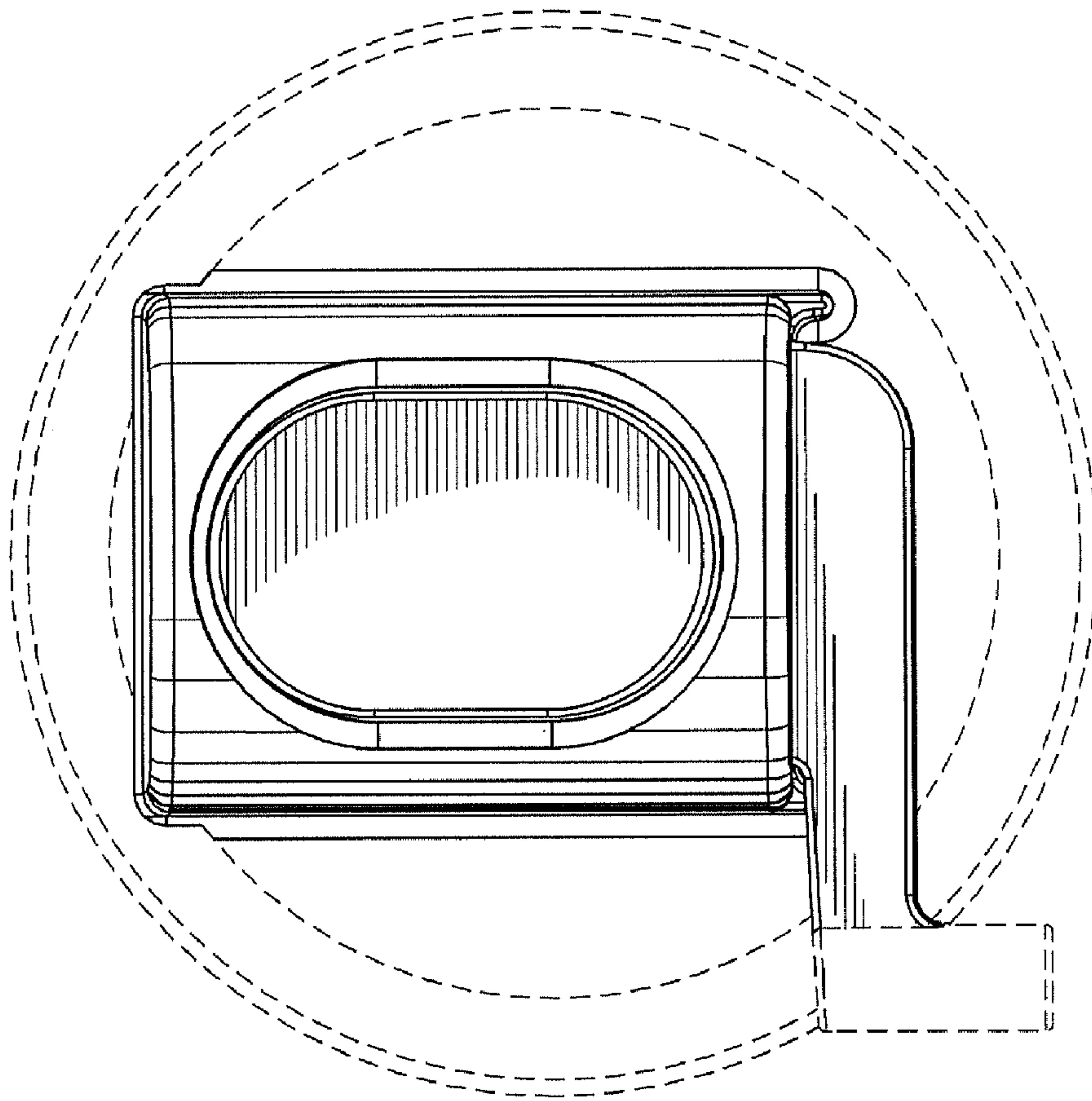


Fig. 3

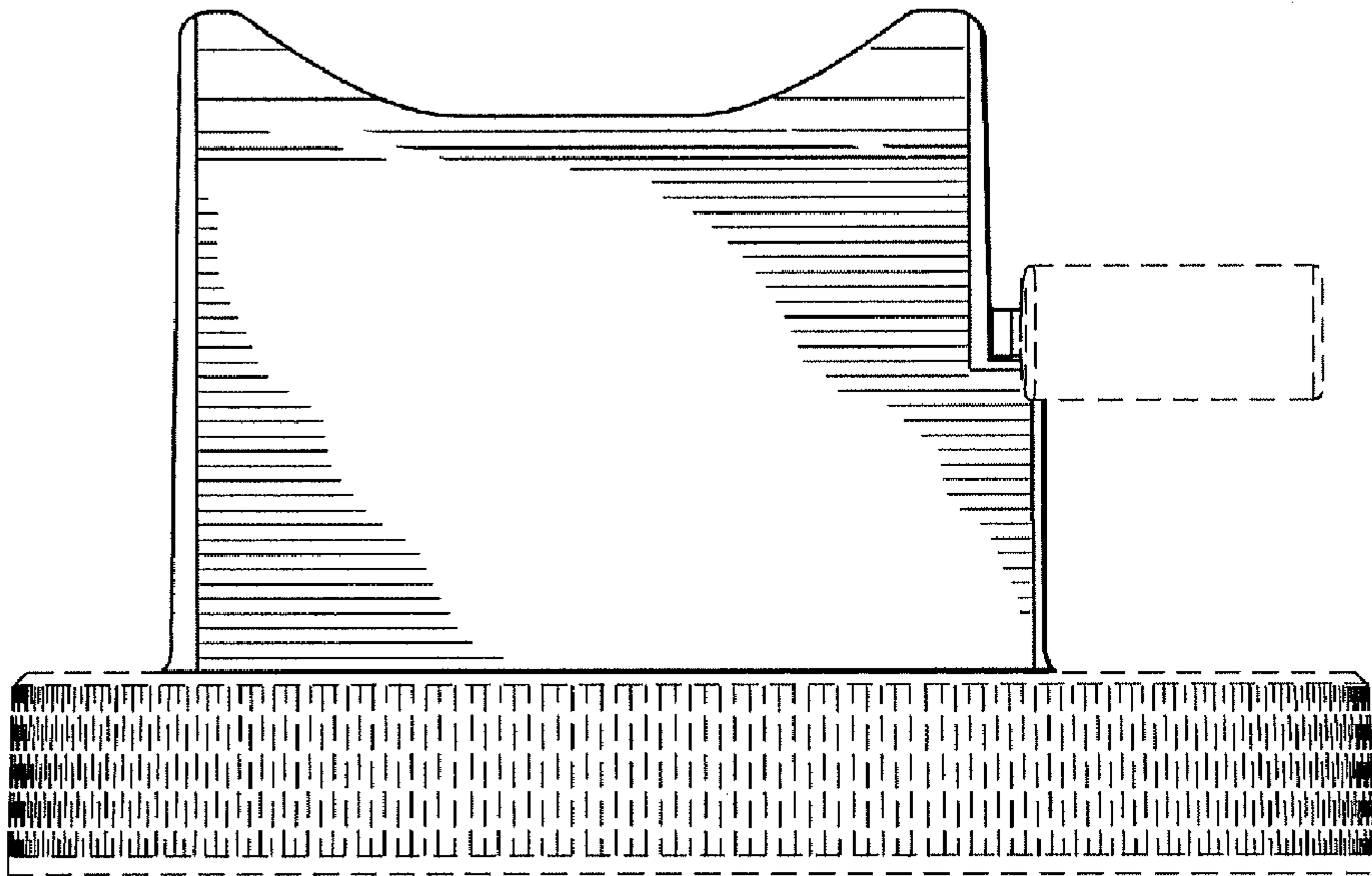


Fig. 4

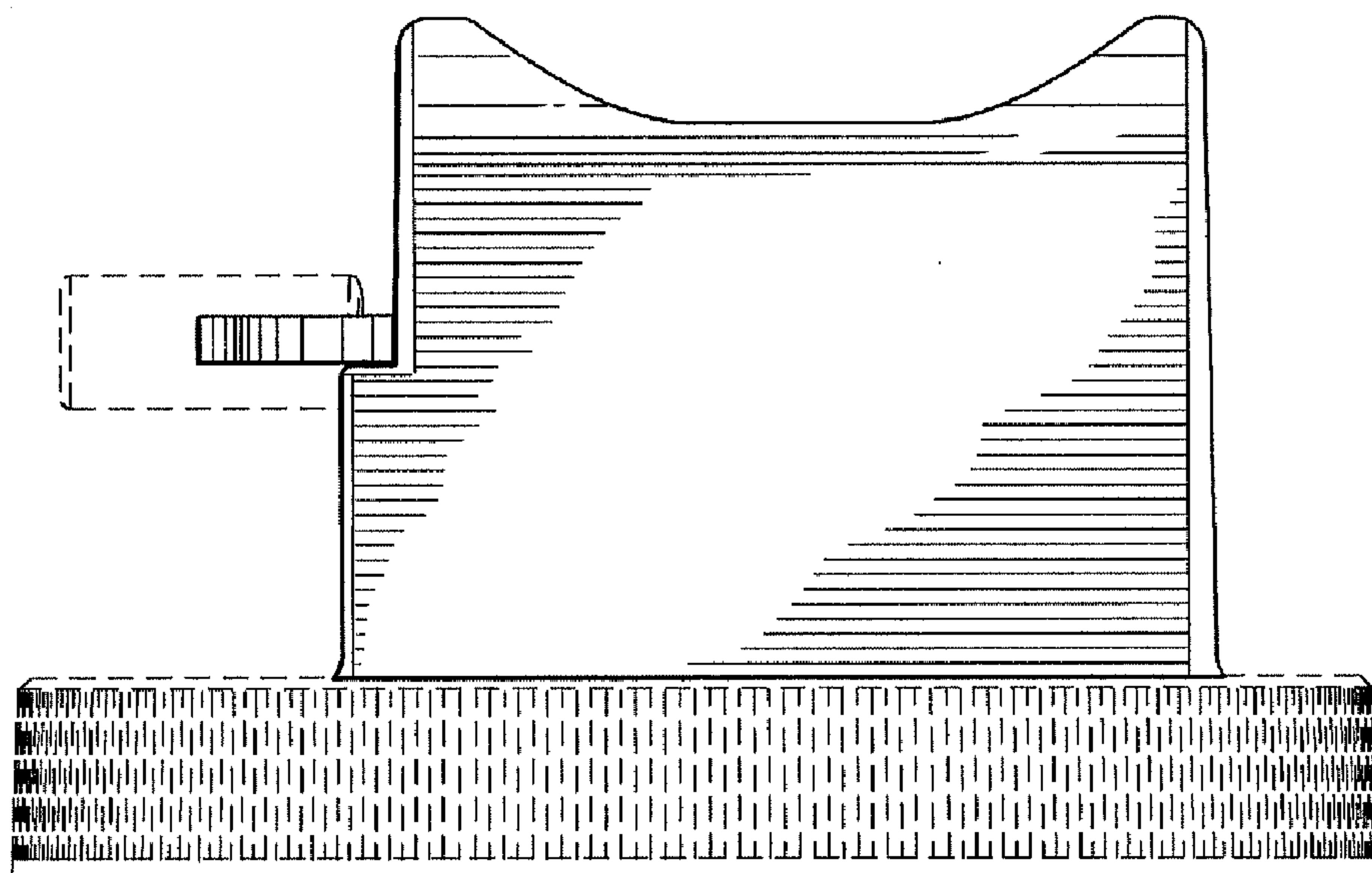


Fig. 5

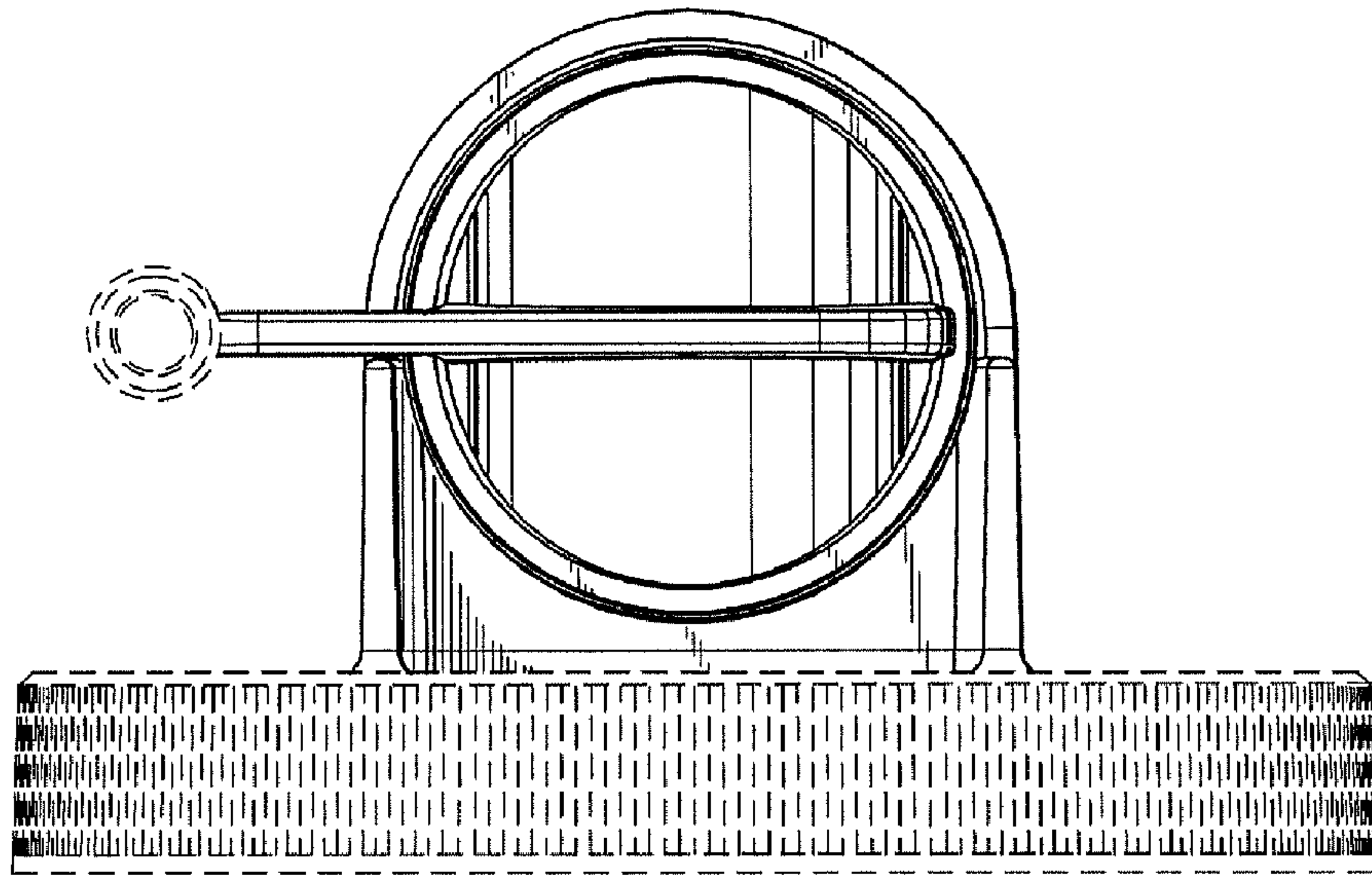


Fig. 6

