

US00D595572S

(12) **United States Design Patent**
Snedden et al.

(10) **Patent No.:** **US D595,572 S**
(45) **Date of Patent:** **** Jul. 7, 2009**

(54) **SHALLOW LID FOR FOOD CONTAINER**

(75) Inventors: **Craig Richard Snedden**, Culver City, CA (US); **Gandhi Bonergue Sifuentes**, Whittier, CA (US); **Yu Wen Chen**, Shulin (TW)

(73) Assignee: **Direct Pack, Inc.**, Sun Valley, CA (US)

(**) Term: **14 Years**

(21) Appl. No.: **29/326,769**

(22) Filed: **Oct. 24, 2008**

(51) **LOC (9) Cl.** **09-07**

(52) **U.S. Cl.** **D9/435**

(58) **Field of Classification Search** D9/694,
D9/573, 560, 554, 529, 504, 503, 502, 456,
D9/454, 453, 451, 447, 445, 444, 435, 432,
D9/428, 425, 424, 418; D7/629, 396.2, 396.1,
D7/300; D3/323; D28/91, 82, 8.1; D26/6,
D26/23, 20; 431/291; 222/270, 142.9, 792,
222/266, 226, 212; 217/11; 206/520, 519,
206/508, 505

See application file for complete search history.

(56) **References Cited**

U.S. PATENT DOCUMENTS

- D135,619 S * 5/1943 Naranick D9/424
- D256,557 S 8/1980 Ikushima et al.
- D257,555 S 11/1980 Ikushima et al.
- D267,394 S 12/1982 Liptak et al.
- D270,708 S 9/1983 Dart
- D272,595 S 2/1984 Chase et al.
- D276,216 S 11/1984 Michaud
- D277,167 S 1/1985 Dart
- D280,605 S 9/1985 Karlik
- D304,910 S 12/1989 Natori
- D307,716 S 5/1990 Fitzloff et al.
- D308,941 S 7/1990 Kong
- D317,567 S 6/1991 Lane, Sr.
- D317,568 S 6/1991 Lane, Sr.
- D317,569 S 6/1991 Lane, Sr.
- D339,744 S 9/1993 Seppala

- D369,282 S 4/1996 Arduini
- D371,962 S 7/1996 Petruzzi
- D377,451 S * 1/1997 Gumowitz et al. D9/432
- D407,014 S 3/1999 McCann
- D408,282 S 4/1999 McCann
- D408,733 S 4/1999 McCann
- D411,741 S 6/1999 Wilson et al.
- D419,829 S 2/2000 Wilson et al.
- D428,777 S 8/2000 Hayes et al.
- D440,830 S 4/2001 Tucker et al.
- D441,615 S 5/2001 Dretzka
- D448,991 S 10/2001 Zettle et al.
- D450,983 S 11/2001 Tucker et al.
- D462,880 S 9/2002 Maxwell et al.
- D473,138 S * 4/2003 Jowett D9/425

(Continued)

Primary Examiner—Susan Bennett Hattan
(74) *Attorney, Agent, or Firm*—Frost Brown Todd LLC

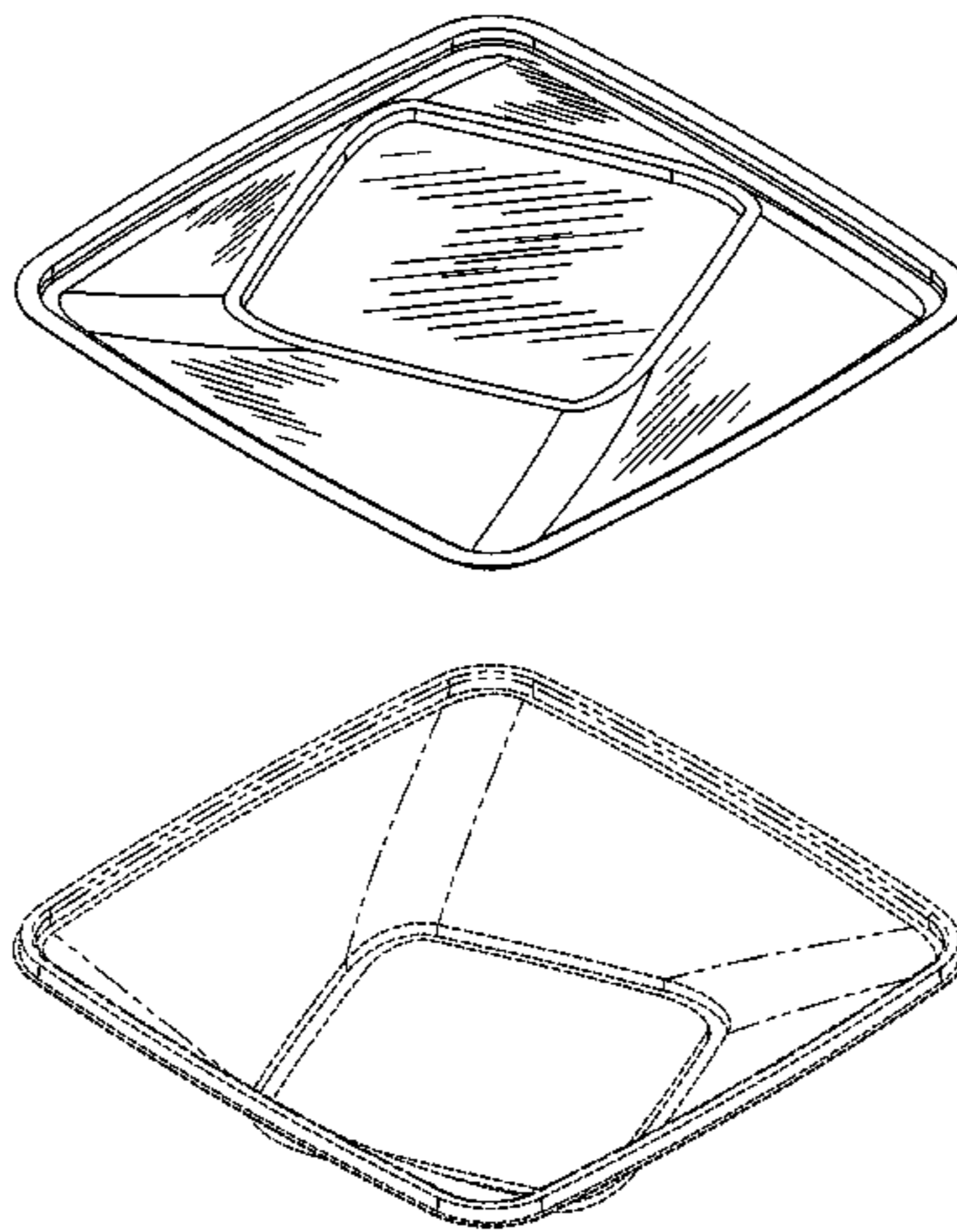
(57) **CLAIM**

The ornamental design for a shallow lid for food container, as shown and described.

DESCRIPTION

FIG. 1 is a top perspective view of a shallow lid for food container, showing our new design;
FIG. 2 is a right elevational view thereof;
FIG. 3 is a left elevational view thereof;
FIG. 4 is a front elevational view thereof;
FIG. 5 is a back elevational view thereof;
FIG. 6 is a top plan view thereof; and,
FIG. 7 is a bottom plan view thereof.
The food container tray shown in broken lines is unclaimed environment, and forms no part of the claimed design.

1 Claim, 7 Drawing Sheets



US D595,572 S

Page 2

U.S. PATENT DOCUMENTS

D475,620 S	6/2003	Chen et al.		
D485,473 S	1/2004	Dais et al.		
D485,755 S	1/2004	Isler et al.		
D490,278 S	5/2004	Welsh		
D493,335 S	7/2004	Armato		
D501,764 S	2/2005	Lerner		
D505,835 S	6/2005	Schultz et al.		
D505,839 S	6/2005	Stanos et al.		
D509,109 S *	9/2005	Vovan	D7/602	
D512,278 S	12/2005	Schultz et al.		
D527,956 S *	9/2006	Doliwa	D7/629	
D530,198 S	10/2006	Snedden et al.		
D542,100 S	5/2007	Kim		
D544,755 S	6/2007	Diesman		
D554,498 S	11/2007	Lovett		
D554,531 S	11/2007	Lovett		
D554,988 S	11/2007	Sim		
D555,475 S	11/2007	Enriquez et al.		
D555,983 S	11/2007	Tucker et al.		
D557,569 S	12/2007	Stamper et al.		
D566,573 S *	4/2008	Lestelle	D9/560	
D569,722 S	5/2008	Stamper et al.		
D571,656 S *	6/2008	Maslowski	D9/425	
D572,087 S	7/2008	Kim		
D573,846 S	7/2008	Moghavem		

* cited by examiner

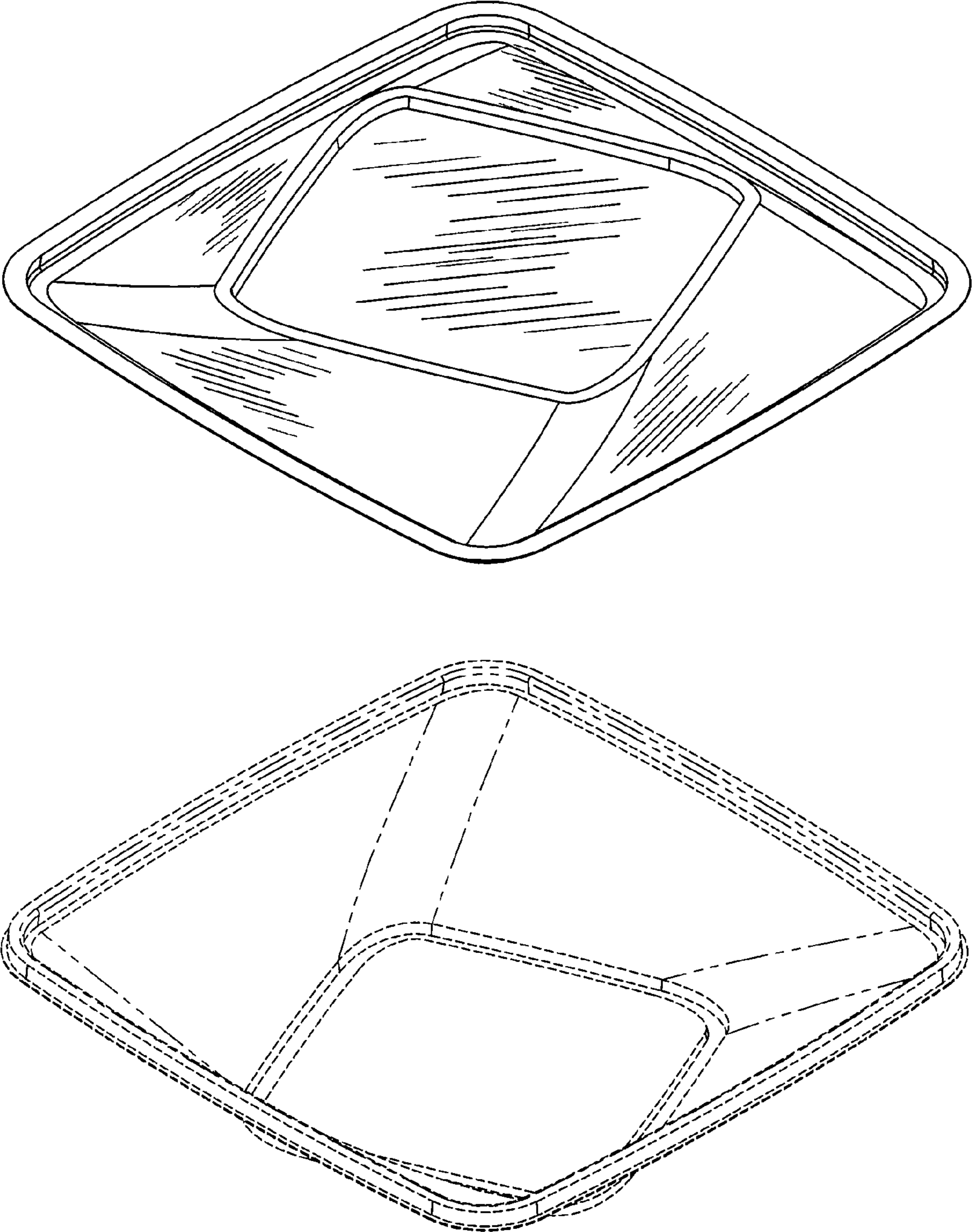


FIGURE 1

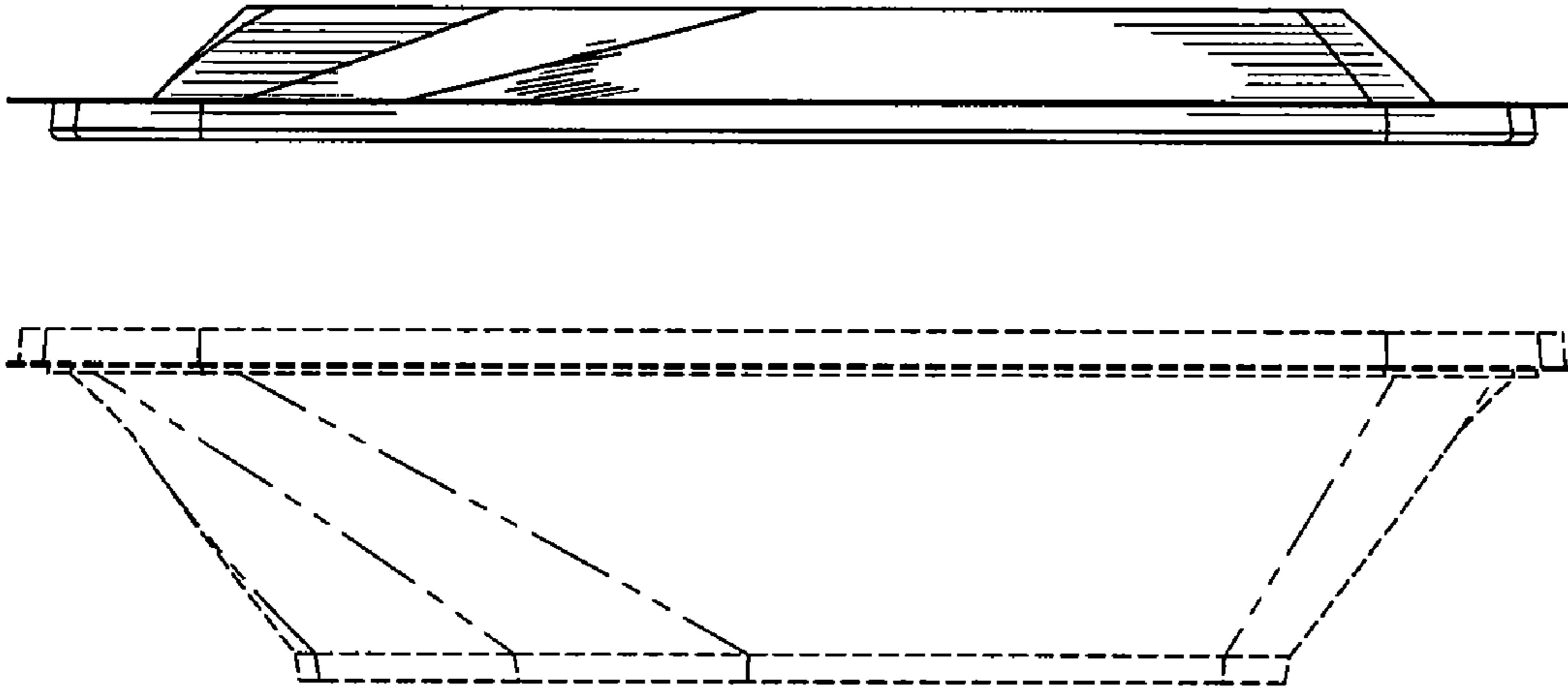


FIGURE 2

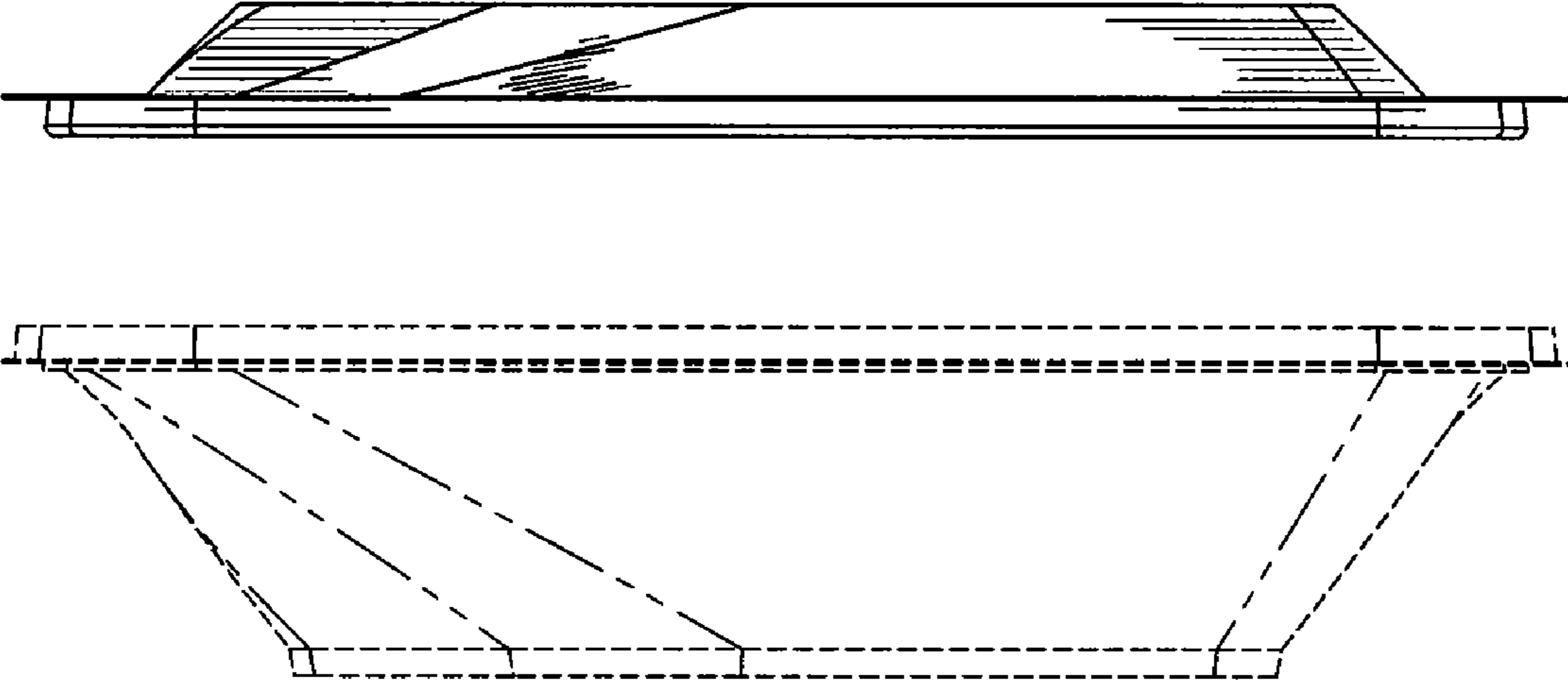


FIGURE 3

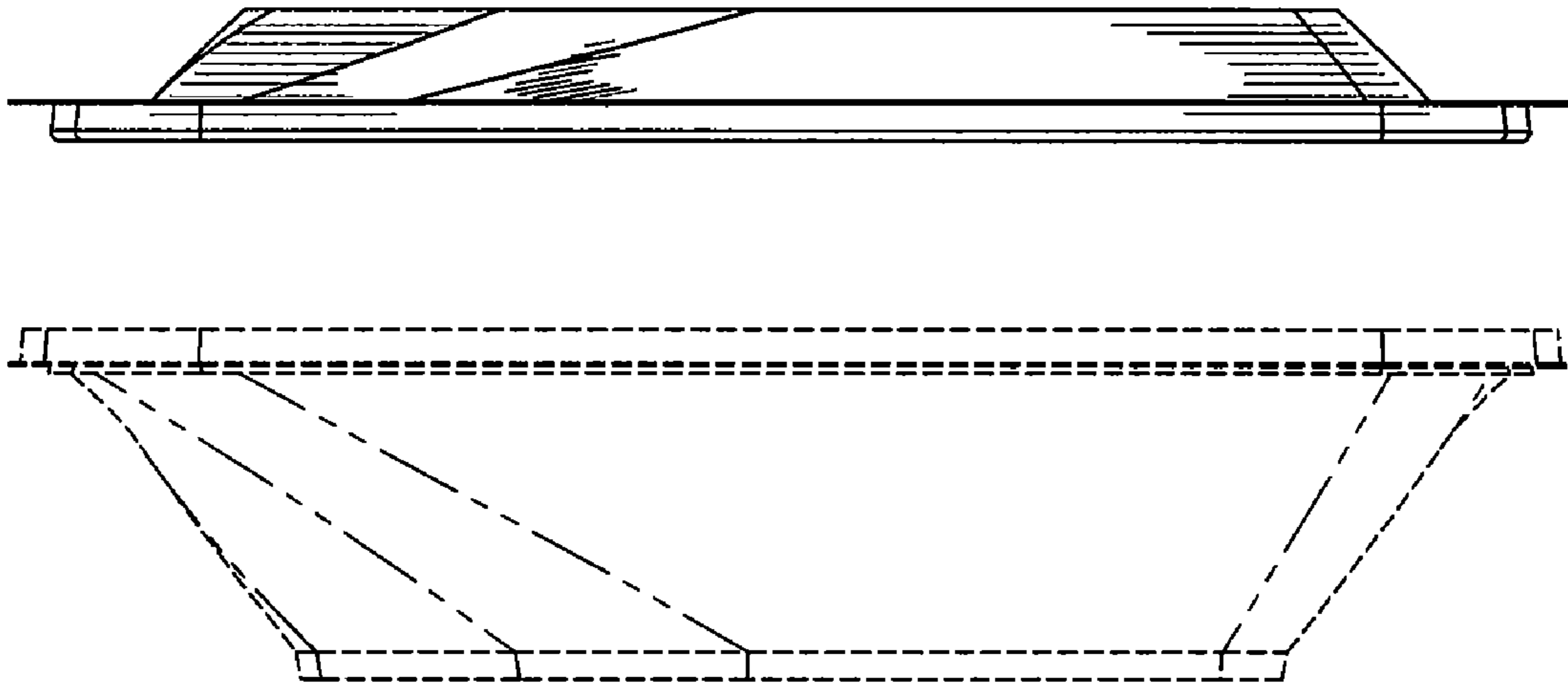


FIGURE 4

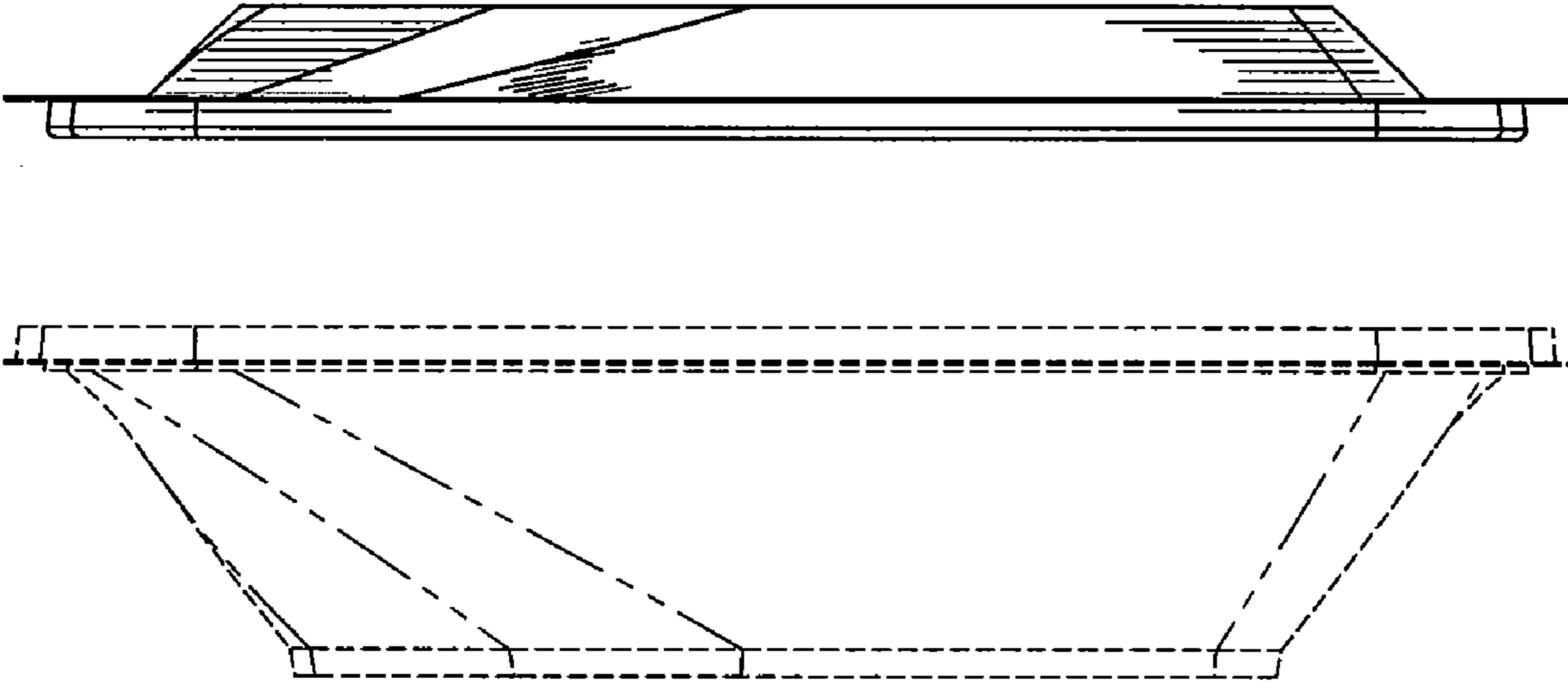


FIGURE 5

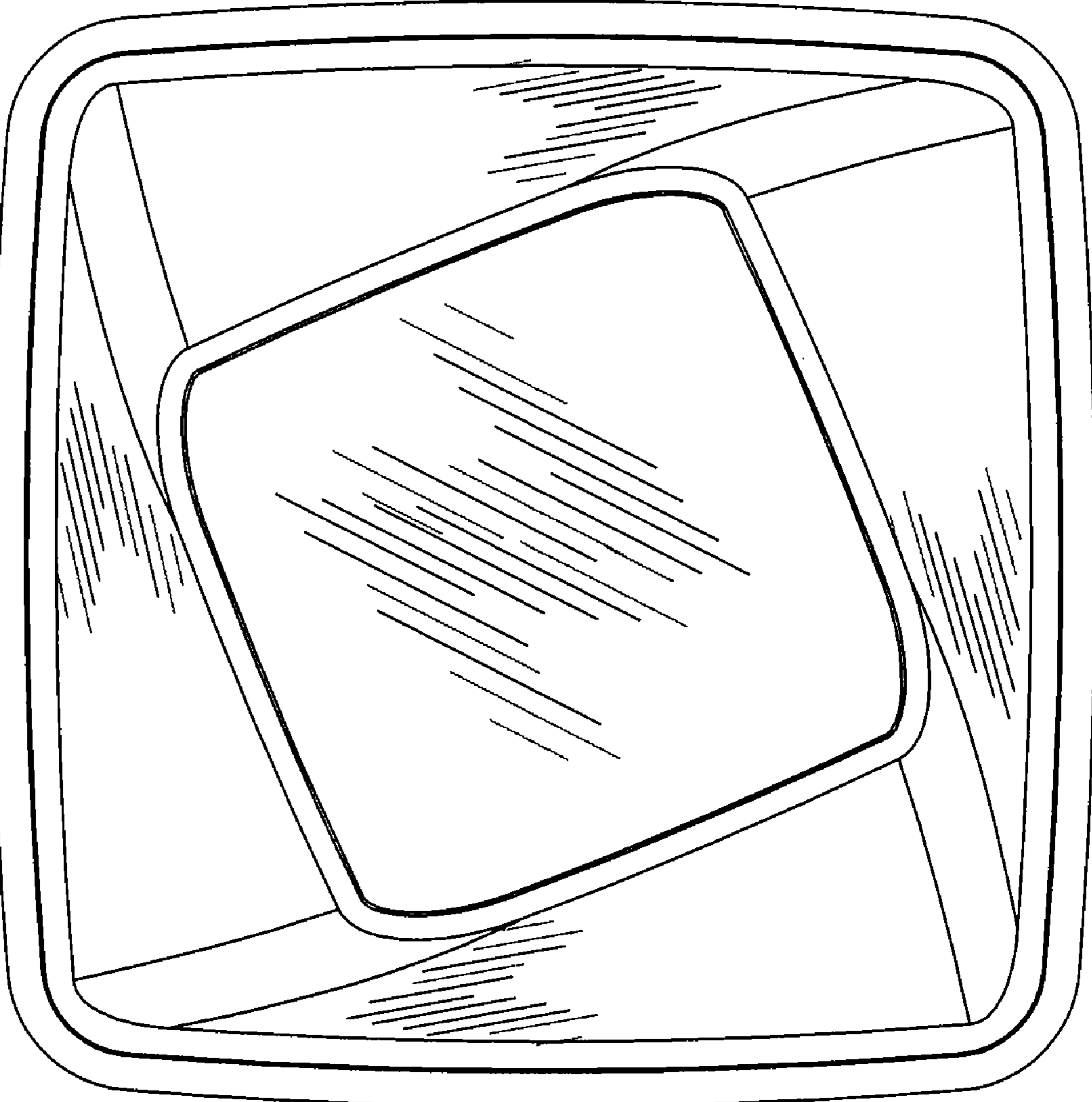


FIGURE 6

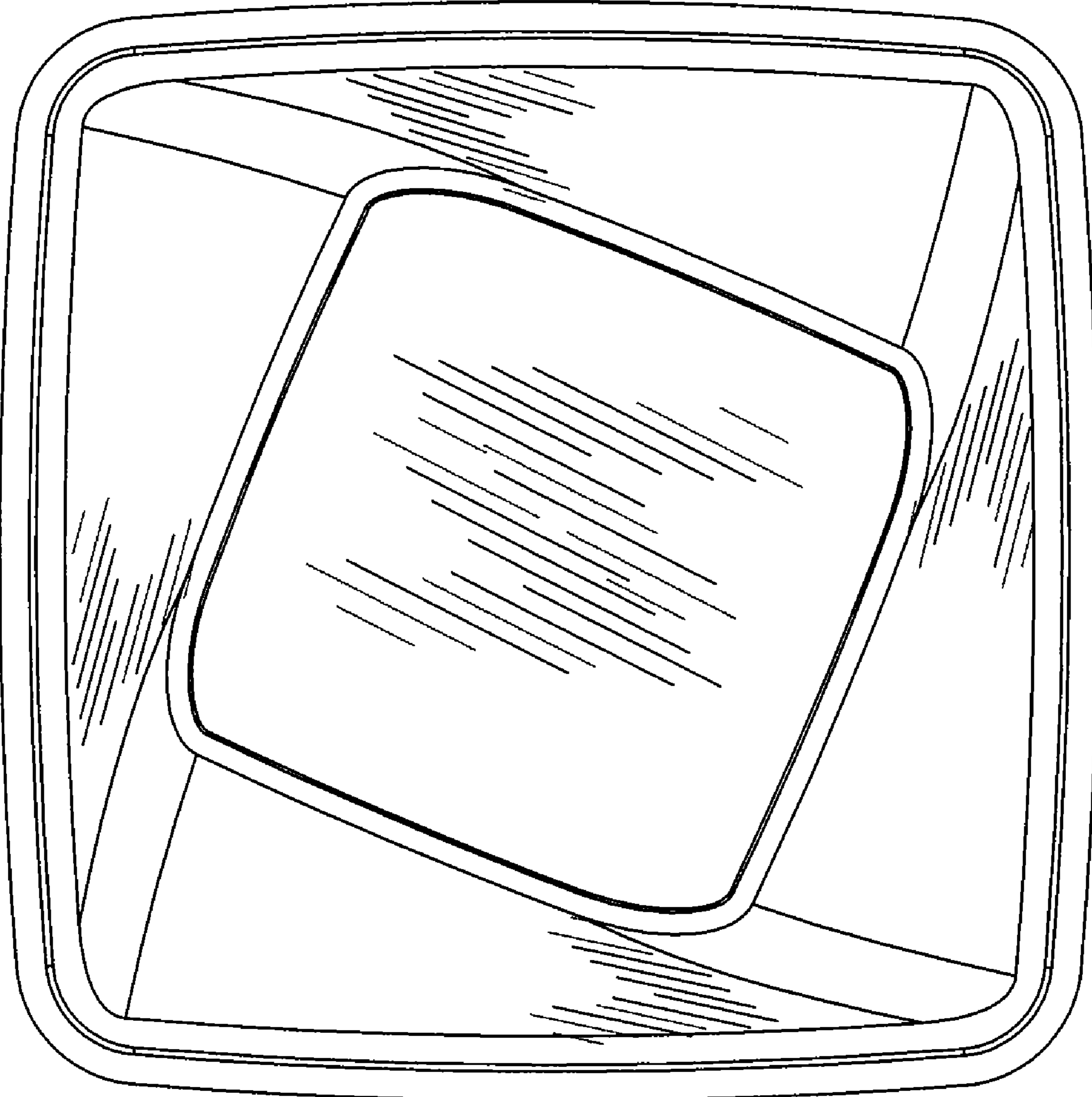


FIGURE 7