



US00D595570S

(12) **United States Design Patent**  
**Moretti**

(10) **Patent No.:** **US D595,570 S**  
(45) **Date of Patent:** **\*\* Jul. 7, 2009**

(54) **AEROSOL DISPENSER CAP**

(75) Inventor: **Matteo Moretti**, Crema (IT)

(73) Assignee: **Lumson, S.p.A.**, Capergnanica  
(Cremona) (IT)

(\*\*) Term: **14 Years**

(21) Appl. No.: **29/302,342**

(22) Filed: **Jan. 15, 2008**

(30) **Foreign Application Priority Data**

Jul. 16, 2007 (EM) ..... 000758743

(51) **LOC (9) Cl.** ..... **09-07**

(52) **U.S. Cl.** ..... **D9/434; D9/448**

(58) **Field of Classification Search** ..... D9/754,  
D9/753, 752, 741, 728, 724, 697, 695, 529,  
D9/524, 516, 454, 447, 445, 444, 442, 443,  
D9/440, 439, 435, 434, 441, 686-693, 448,  
D9/438; D7/679, 590-597, 511, 510, 401.1,  
D7/398; 241/169, 169.1, 168; 229/906.1;  
222/567, 566, 545, 482, 480, 356, 151, 149,  
222/142.1-142.9, 635, 494, 491; 220/713,  
220/254.1, 703, 269, 200, 234, 295, 304,  
220/310.1, 378, 795, 804, 849, DIG. 19,  
220/DIG. 4, DIG. 7, 915; D23/260, 259;  
215/200, 231, 234, 364, DIG. 1; D24/216,  
D24/222, 224, 231; D19/57, 43; D28/7,  
D28/57

See application file for complete search history.

(56) **References Cited**

**U.S. PATENT DOCUMENTS**

D310,723 S \* 9/1990 Su ..... D24/110  
D376,103 S \* 12/1996 Knickerbocker ..... D9/448

D407,313 S \* 3/1999 Wadsworth et al. .... D9/448  
D414,696 S \* 10/1999 Sayers ..... D9/448  
D441,654 S \* 5/2001 Sayers ..... D9/448  
D455,960 S \* 4/2002 Dobbs et al. .... D9/448  
D457,429 S \* 5/2002 Walters ..... D9/448  
D479,995 S \* 9/2003 Duceppe ..... D9/444  
D488,380 S \* 4/2004 Dobbs et al. .... D9/448  
D511,095 S \* 11/2005 Auer ..... D9/448  
D515,421 S \* 2/2006 Rossignol ..... D9/448  
D523,748 S \* 6/2006 Witkowski et al. .... D9/448  
D532,692 S \* 11/2006 Cornet et al. .... D9/448  
D547,183 S \* 7/2007 Cornet et al. .... D9/448  
D547,654 S \* 7/2007 Cornet et al. .... D9/448  
D551,077 S \* 9/2007 Bloc ..... D9/448

\* cited by examiner

*Primary Examiner*—Susan Bennett Hattan

(74) *Attorney, Agent, or Firm*—Cozen O'Connor

(57) **CLAIM**

I claim the ornamental design for an aerosol dispenser cap, as shown and described.

**DESCRIPTION**

FIG. 1 illustrates a front perspective view of an aerosol dispenser cap showing my new design;

FIG. 2 illustrates a front view of an aerosol dispenser cap showing my new design;

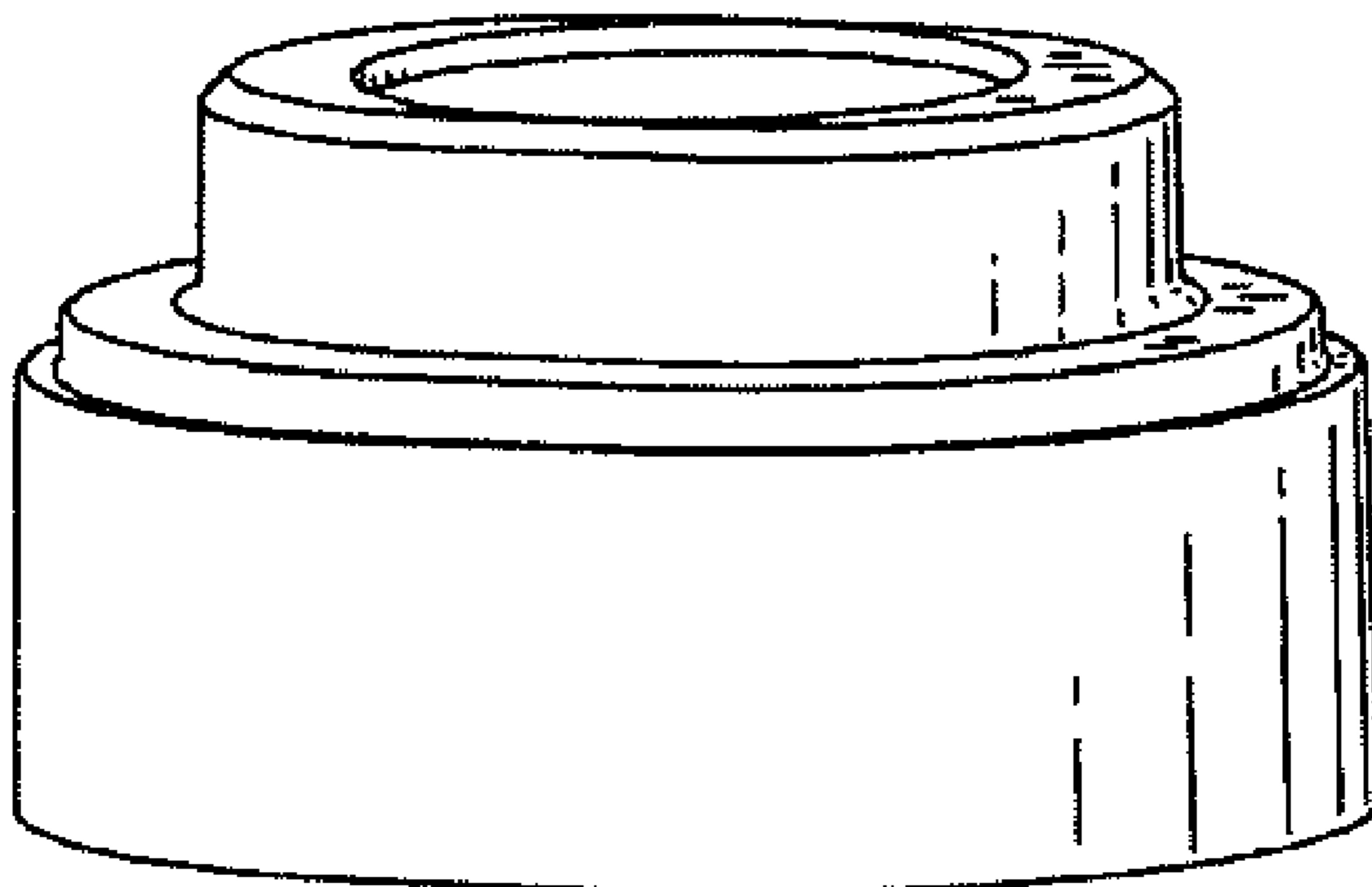
FIG. 3 illustrates a side view of an aerosol dispenser cap showing my new design;

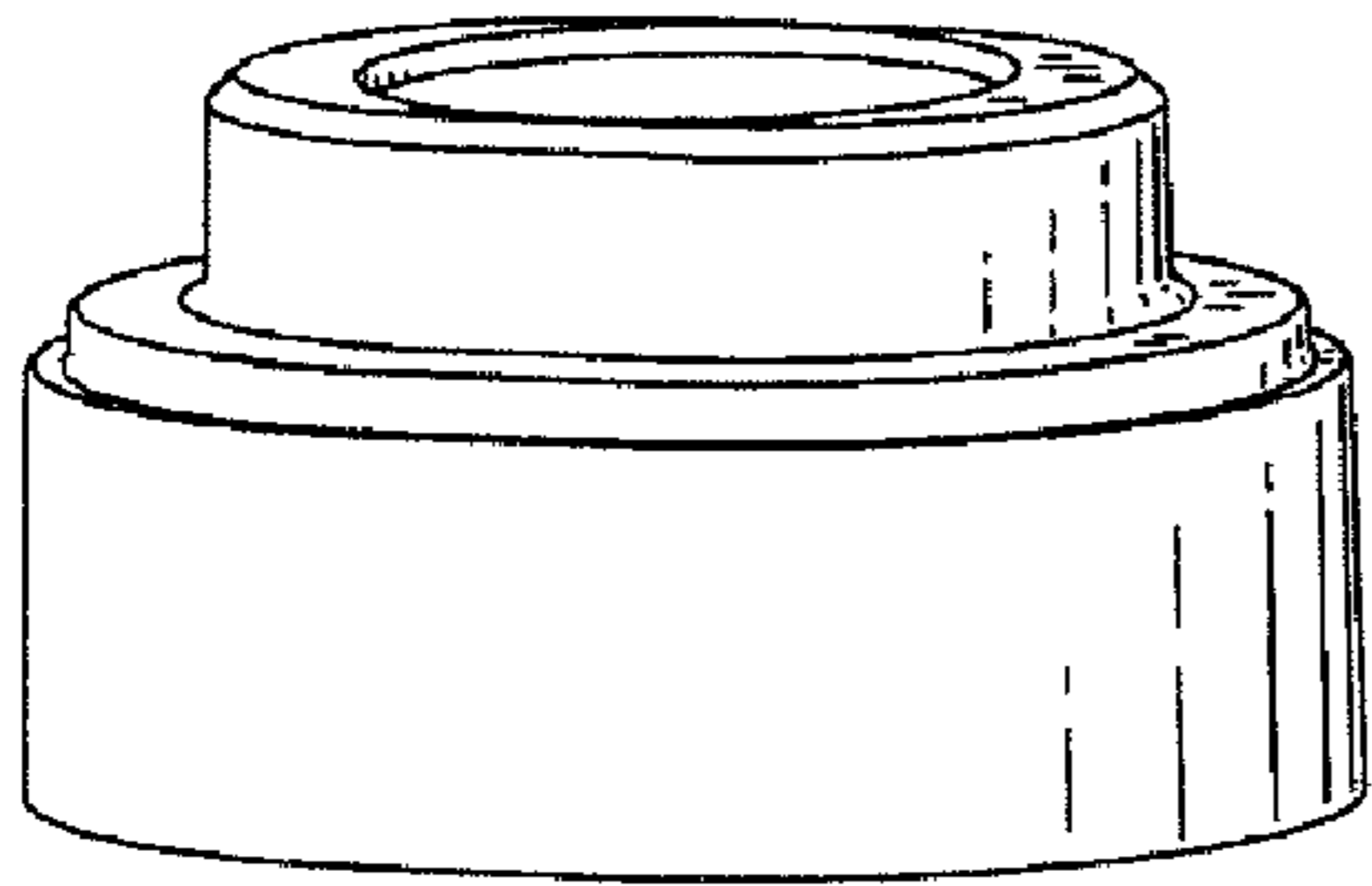
FIG. 4 illustrates a top view of an aerosol dispenser cap showing my new design; and,

FIG. 5 illustrates a bottom view of an aerosol dispenser cap showing my new design.

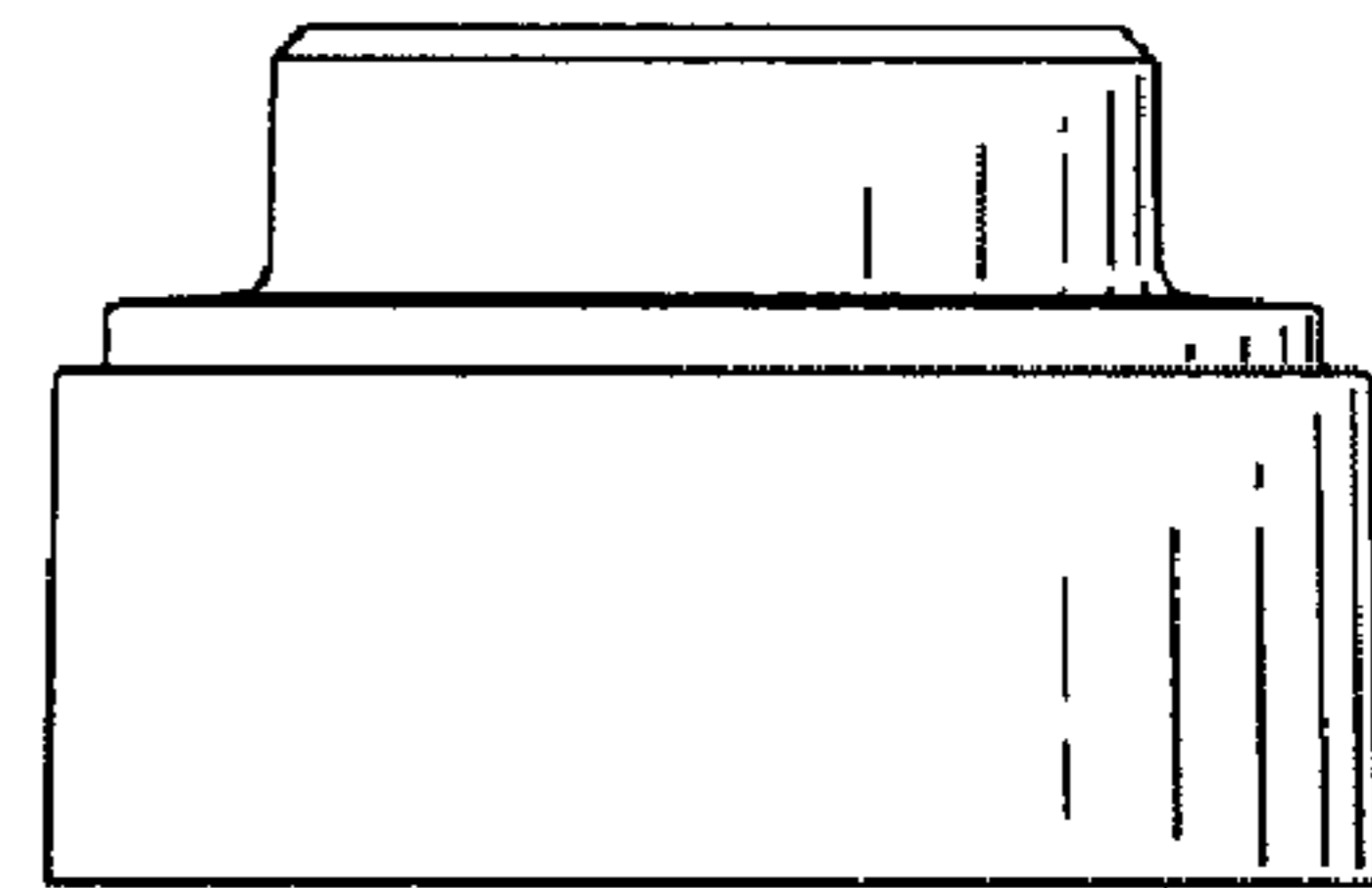
The broken lines in the drawings depict environmental subject matter only and form no part of the claimed design.

**1 Claim, 2 Drawing Sheets**

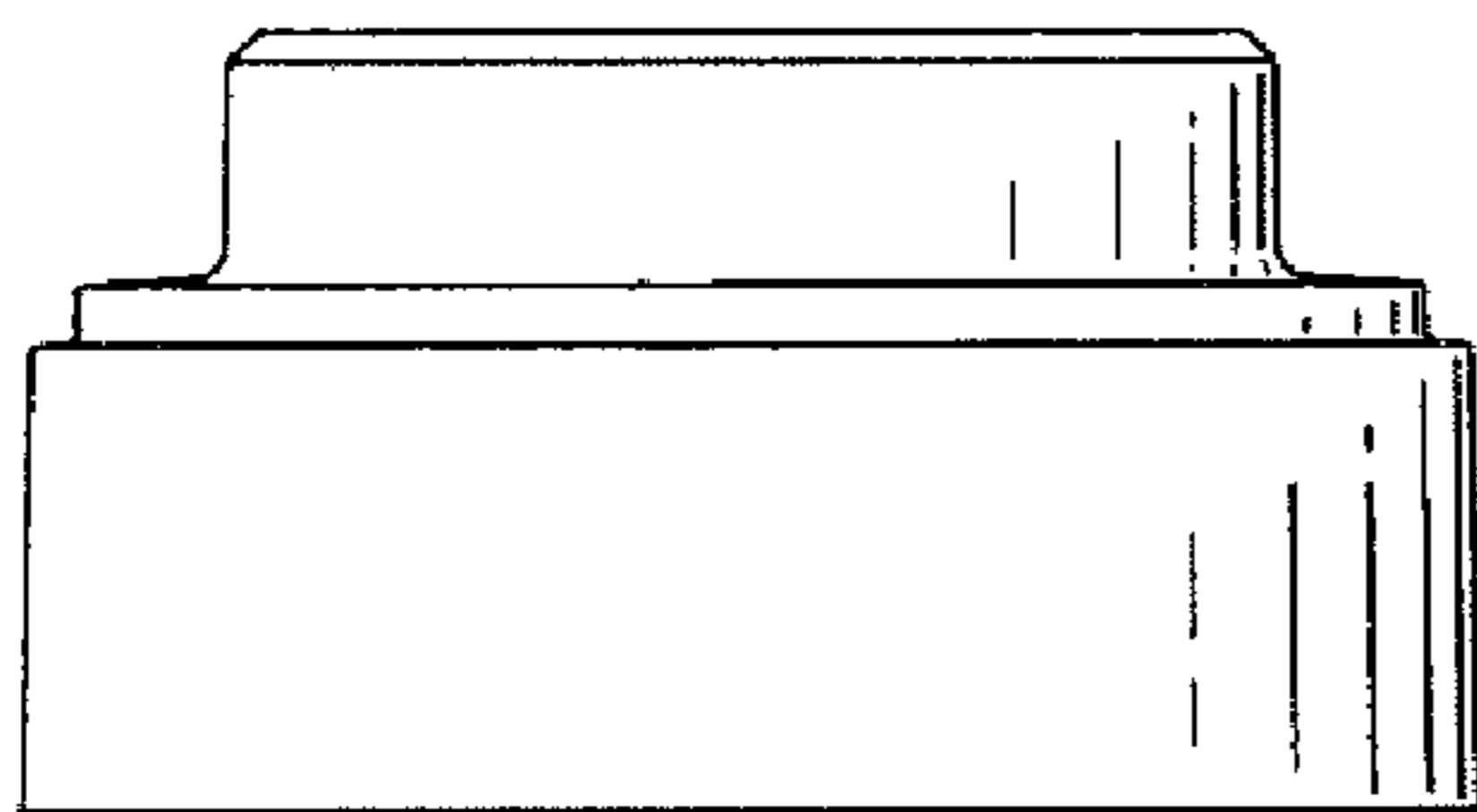




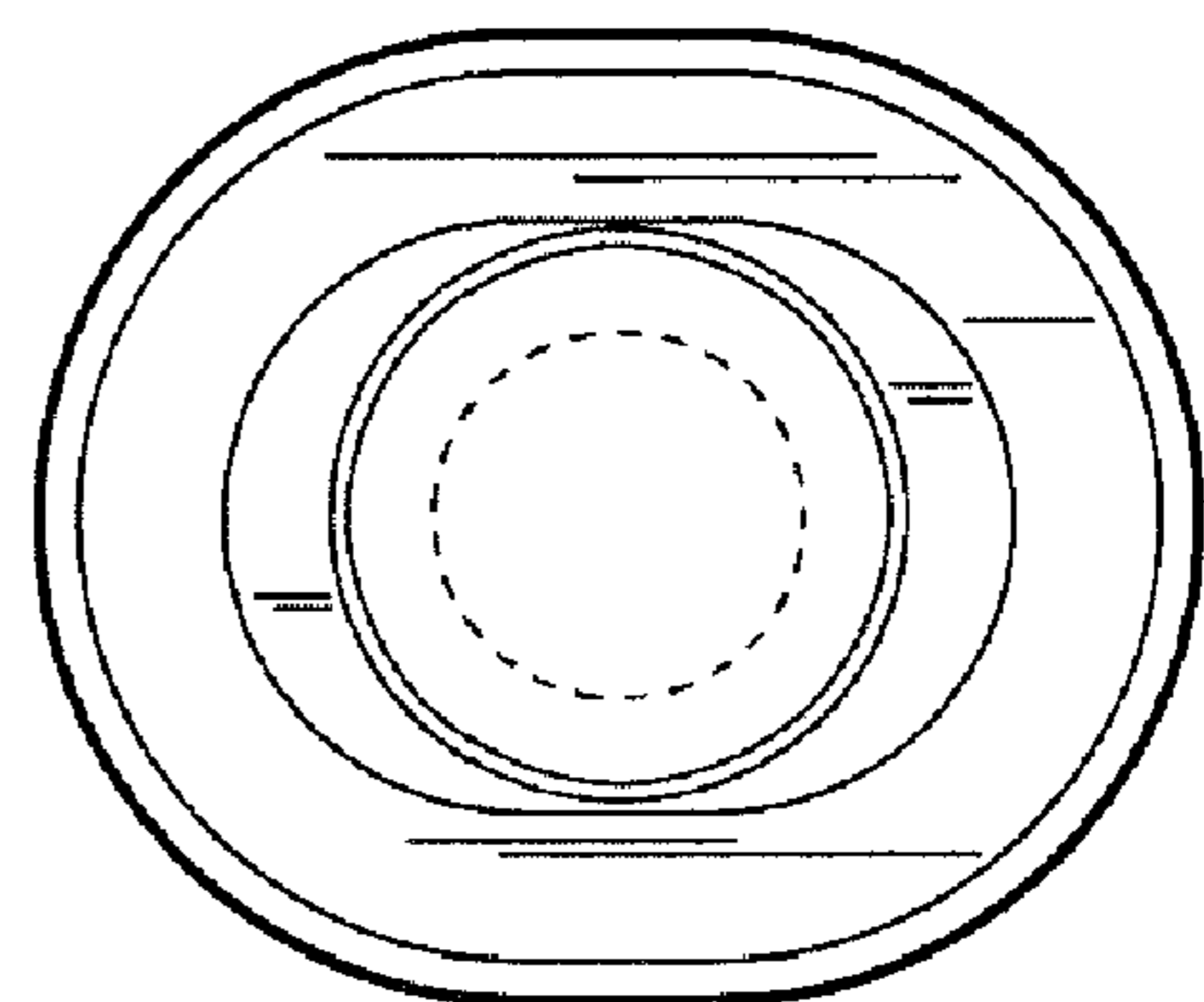
*Fig. 1*



*Fig. 2*



*Fig. 3*



*Fig. 4*

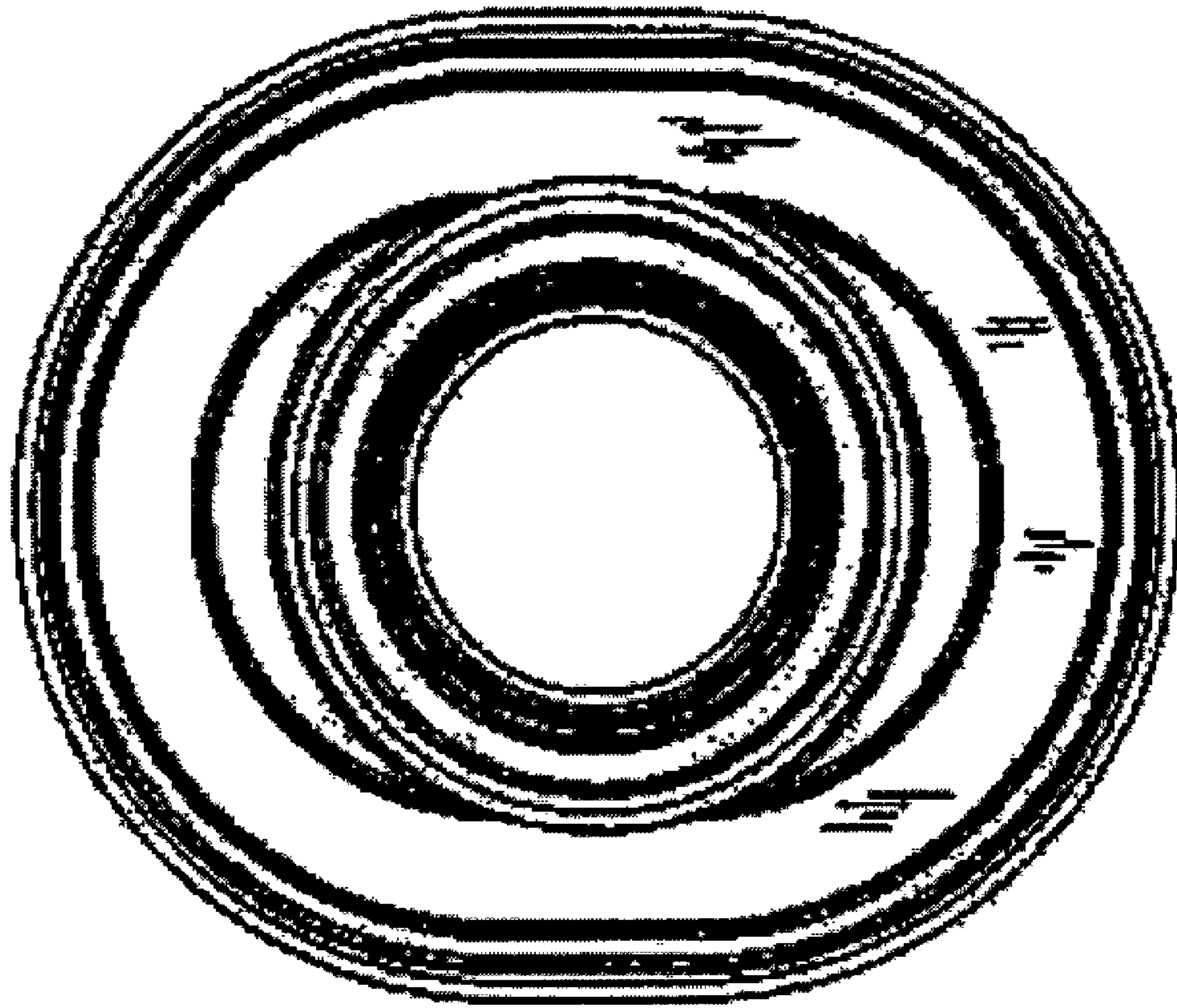


FIG. 5