



US00D595569S

(12) **United States Design Patent**
Darling, III

(10) **Patent No.:** **US D595,569 S**

(45) **Date of Patent:** **** Jul. 7, 2009**

(54) **CLAMP**

(76) **Inventor:** **Charles Wesley Darling, III**, 6 Wells La., Hampton Bays, NY (US) 11946

(**) **Term:** **14 Years**

(21) **Appl. No.:** **29/313,262**

(22) **Filed:** **Dec. 19, 2008**

Related U.S. Application Data

(63) Continuation of application No. 11/980,986, filed on Oct. 31, 2007.

(51) **LOC (9) Cl.** **08-08**

(52) **U.S. Cl.** **D8/396; D8/72**

(58) **Field of Classification Search** D8/354-356, D8/371, 376, 394-396, 382; 24/16 R, 279; 248/49, 61, 62, 63, 74.1-74.4, 73; 294/116
See application file for complete search history.

(56) **References Cited**

U.S. PATENT DOCUMENTS

2,504,360 A * 4/1950 Van Auken 248/61
2,600,362 A * 6/1952 Harder 249/191
2,836,449 A 5/1958 Varlonga

(Continued)

FOREIGN PATENT DOCUMENTS

CH 229971 5/1925
EP 0041855 12/1981
GB 635999 4/1950

(Continued)

OTHER PUBLICATIONS

Mullar Compression Clamp, http://www.narang.com/general_orthopedic_instruments/knee_skull_surgery_instruments.php_mullar.pdf.

(Continued)

Primary Examiner—T. Chase Nelson

Assistant Examiner—John Windmuller

(74) *Attorney, Agent, or Firm*—Alfred M. Walker

(57) **CLAIM**

The ornamental design for a clamp, as shown and described.

DESCRIPTION

FIG. 1 is a perspective view from above of my design for a clamp, shown supporting an object in an upright position;

FIG. 2 is a perspective view from below of my design for the clamp, shown supporting an object in a downwardly extending position;

FIG. 3 is a front elevational view of my design for a clamp, as shown in the orientation of FIG. 1;

FIG. 4 is a rear elevational view thereof, as shown in the orientation of FIG. 1;

FIG. 5 is a top plan view of my design for a clamp, as shown in the orientation of FIG. 1;

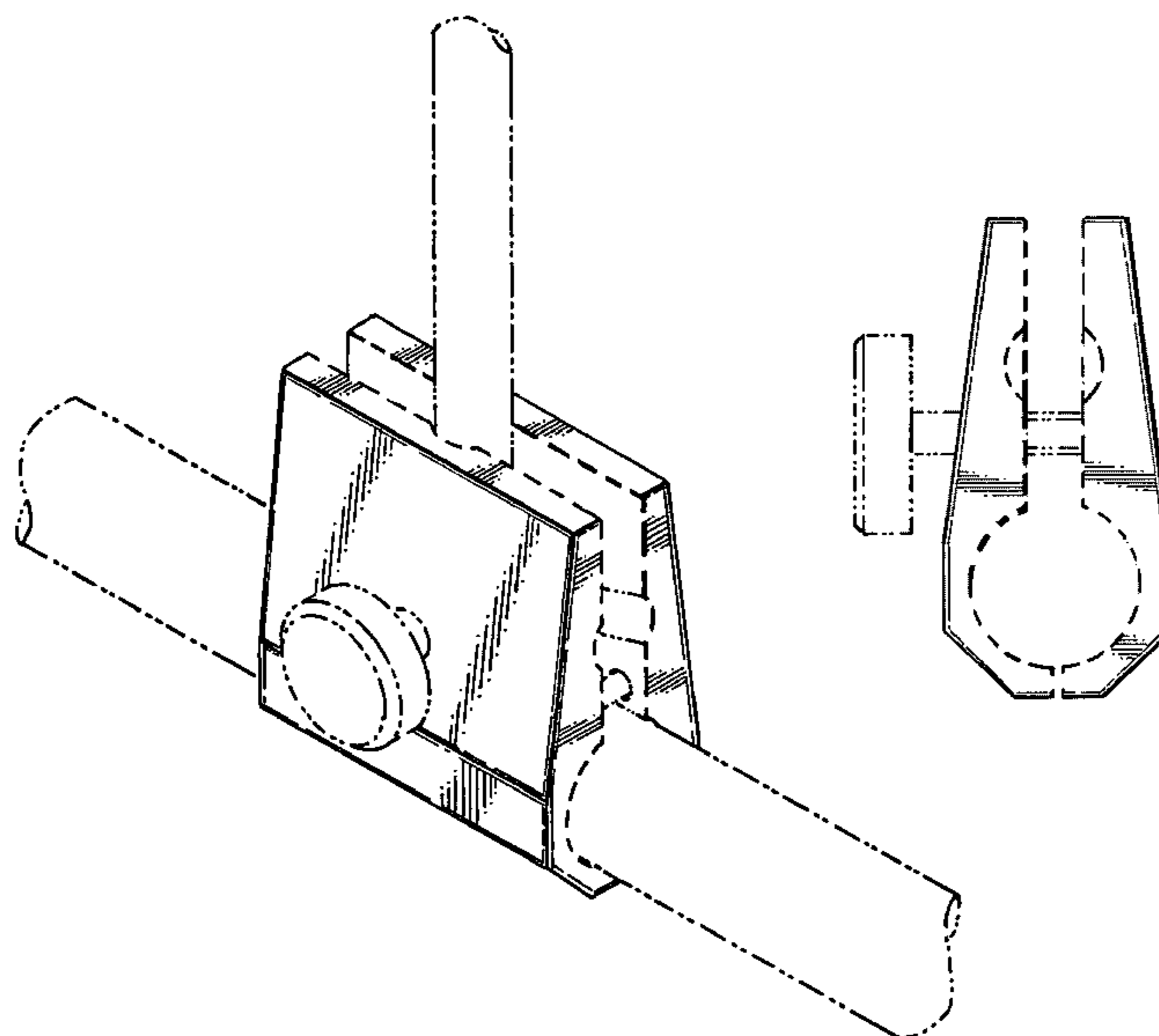
FIG. 6 is a bottom view of my design for a clamp, as shown in the orientation of FIG. 1;

FIG. 7 is a right elevational view thereof as shown in the orientation of FIG. 1; and,

FIG. 8 is a left side elevational view thereof as shown in the orientation of FIG. 1.

In the drawings, the knob and rods in dot-dot-dash lines depict environmental subject matter only and form no part of the claimed design. The edges in uniformly broken lines represent the boundary of the claim.

1 Claim, 3 Drawing Sheets



US D595,569 S

Page 2

U.S. PATENT DOCUMENTS

3,160,378 A * 12/1964 Goewey 248/61
3,177,542 A * 4/1965 James 24/115 R
3,579,829 A 5/1971 Sampson
3,581,354 A * 6/1971 Usiskin 24/569
3,744,838 A * 7/1973 Jackson 294/116
3,813,071 A * 5/1974 Noryd 248/251
D234,695 S * 4/1975 Anderson D13/149
3,955,249 A * 5/1976 Shiozaki 24/503
3,986,746 A * 10/1976 Chartier 294/116
4,037,456 A * 7/1977 Jarman 72/325
4,457,159 A * 7/1984 Jarman et al. 72/422
D279,646 S * 7/1985 Ferdinand et al. D8/72
D289,852 S * 5/1987 Tuvevsson D8/373
4,901,964 A 2/1990 McConnell
D318,282 S * 7/1991 Kern D15/138
5,163,643 A * 11/1992 Auclair 248/61
D335,718 S * 5/1993 Maglica et al. D26/138
D337,172 S * 7/1993 Maglica et al. D26/138
D350,683 S * 9/1994 Tessman D8/72
D356,721 S * 3/1995 Tessman D8/72
5,535,973 A 7/1996 Bailey et al.
5,769,556 A 6/1998 Colley
5,836,559 A 11/1998 Ronci
5,906,034 A * 5/1999 Weisshaar 29/257
D426,459 S 6/2000 van den Branden et al.
D429,984 S * 8/2000 Cummings D8/72
D430,472 S * 9/2000 Cummings D8/72
6,370,741 B1 4/2002 Lu

6,499,158 B1 12/2002 Easterling
D468,612 S * 1/2003 Coulter D8/72
6,691,350 B2 2/2004 Weismiller
6,986,275 B2 * 1/2006 Conner 72/457
7,003,827 B2 2/2006 DeMayo
7,175,143 B1 2/2007 Ho

FOREIGN PATENT DOCUMENTS

GB 641984 8/1950
GB 743831 1/1956

OTHER PUBLICATIONS

Mo-Clamp #0054 Mini Spring Clamp, http://www.toolsusa.com/asp/item_detail.asp?T1=PBE+PU0054&GENB=&UID=moclamp.pdf.
Pedigo Infusion Pump Universal Clamp, http://www.universalmedicalinc.com/pedigo-infusion-pump-universal-clamp/detail/P-3500_4545pedigo.pdf.
MedSystemIII, p. 8, <http://www.cardinal.com/alaris/brochure/medsystemiiiadvanceddoserate.pdf/medsystemIII.pdf>.
Cardellini center jaw clamp, http://www.cardelliniclamp.com/clamp_info/cardellini.pdf.
Brewer Universal Clamp, <http://www.med1online.com/p-33990-brewer-universal-clamp-w-set-screw-43433.aspx/brewer.pdf>.
Manfrotto 386B Nano Clamp, http://www.bhphotovideo.com/c/product/570225-REG/Avenger_386B_386B_Nano_Clamp.htmlmanfrotto.pdf.

* cited by examiner

Fig. 1

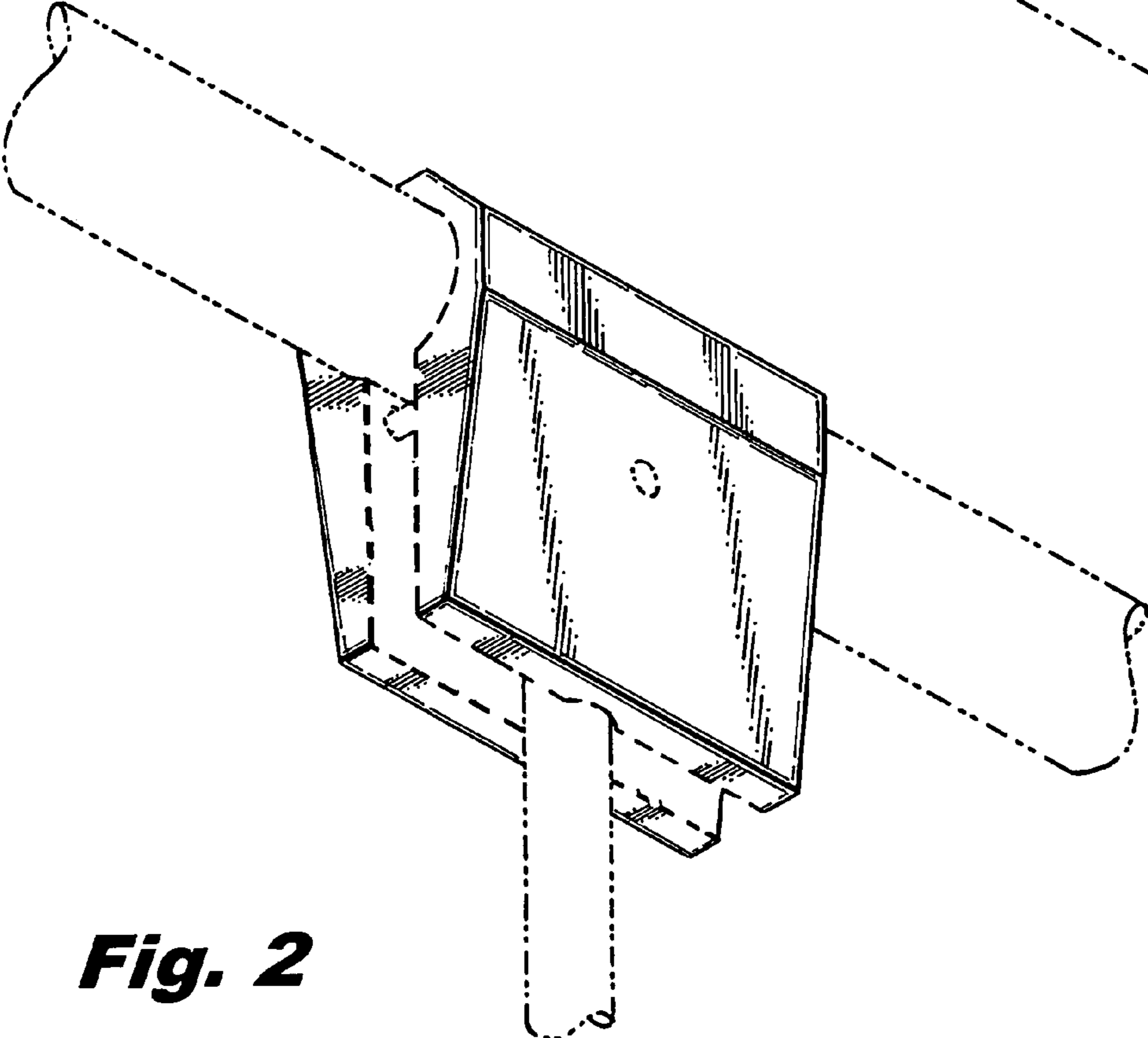
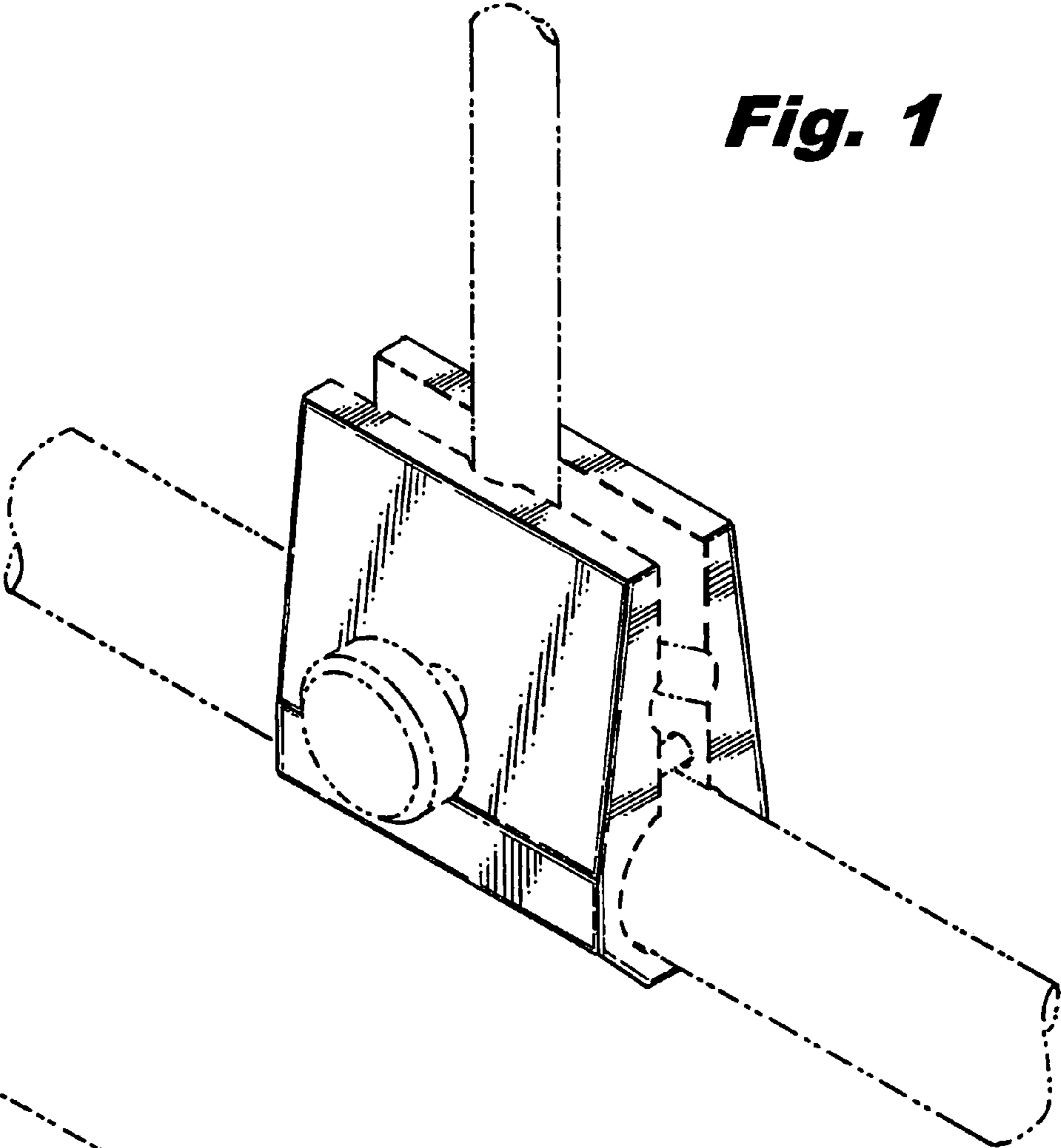


Fig. 2

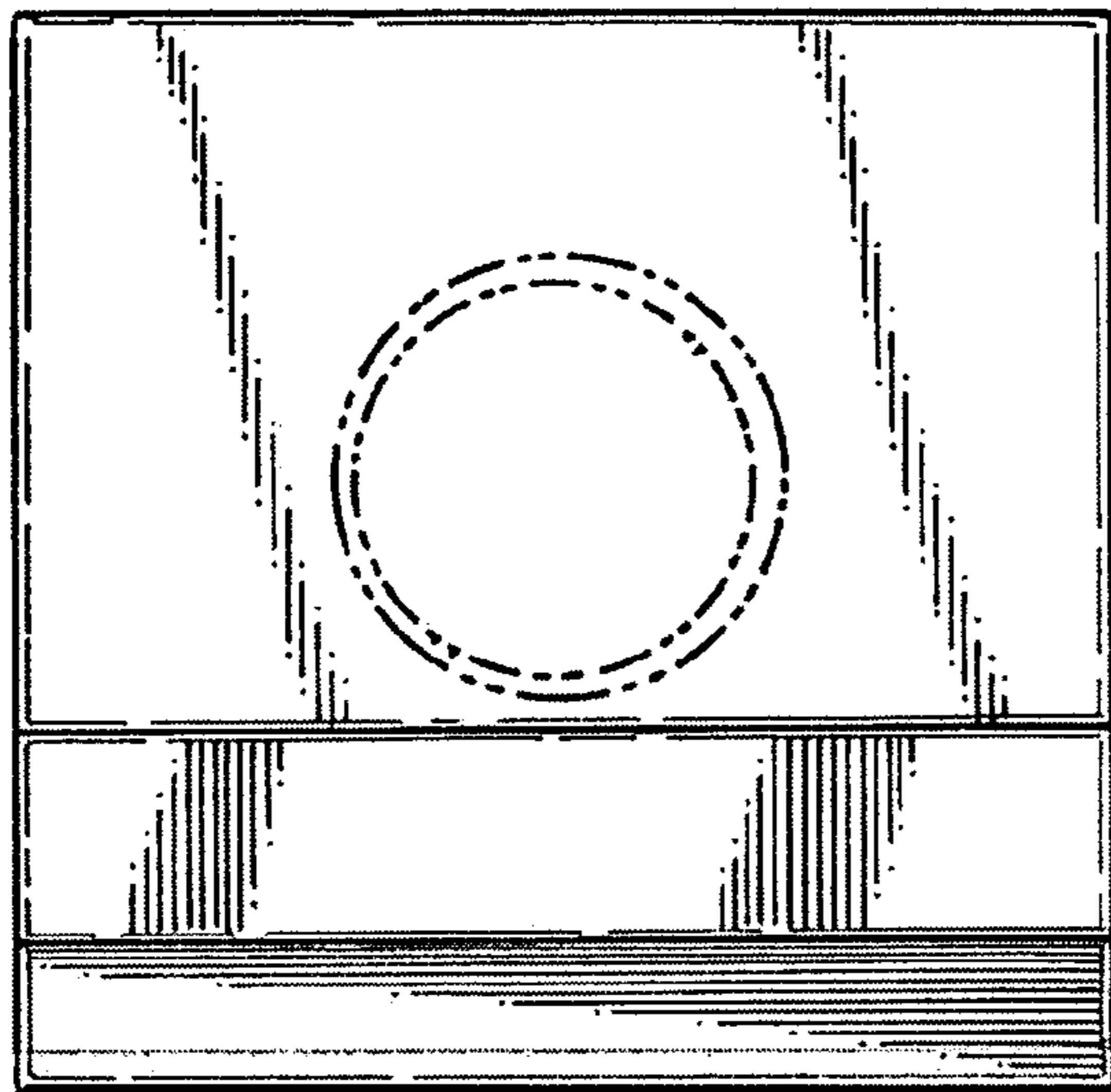


Fig. 3

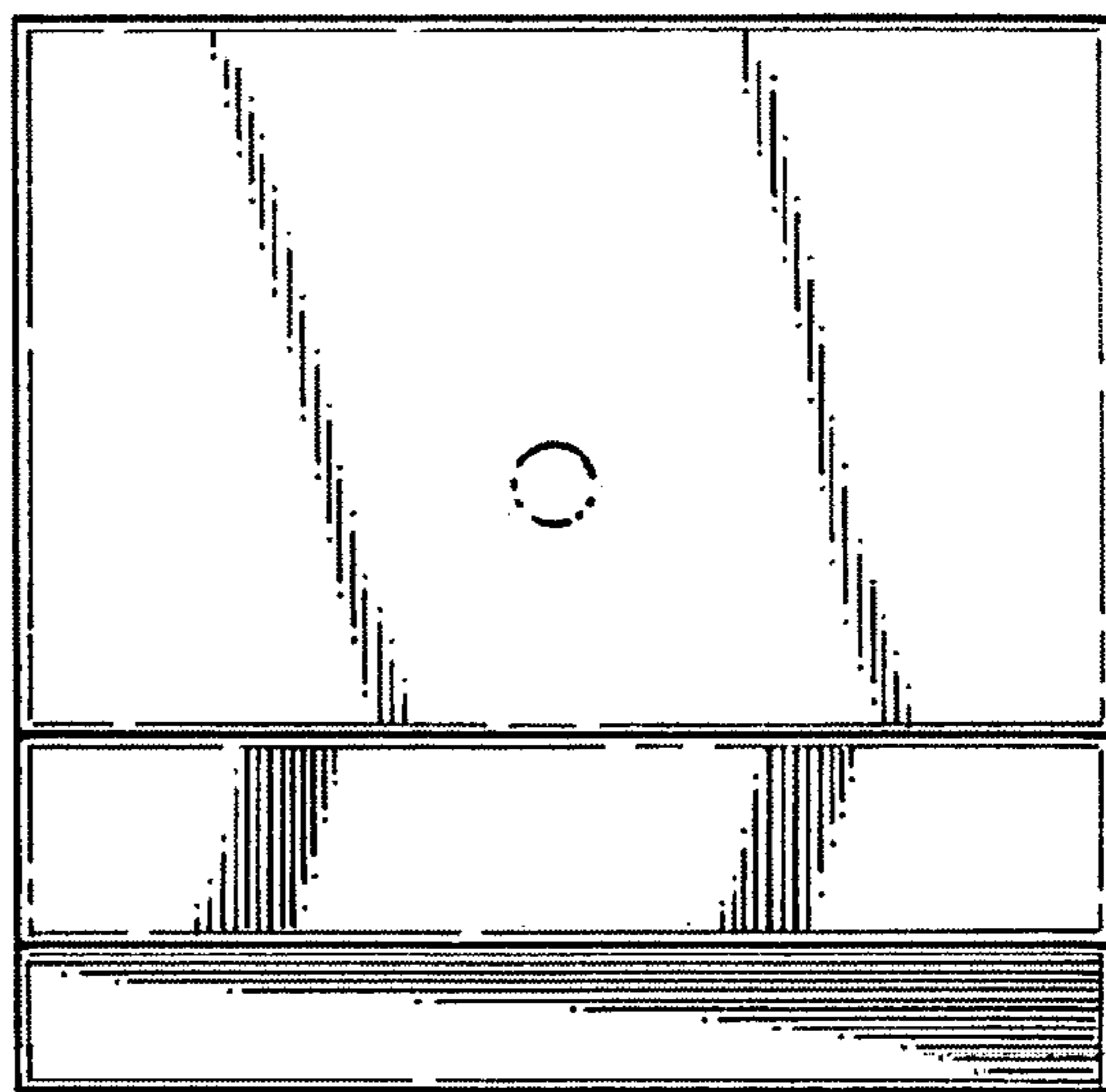


Fig. 4

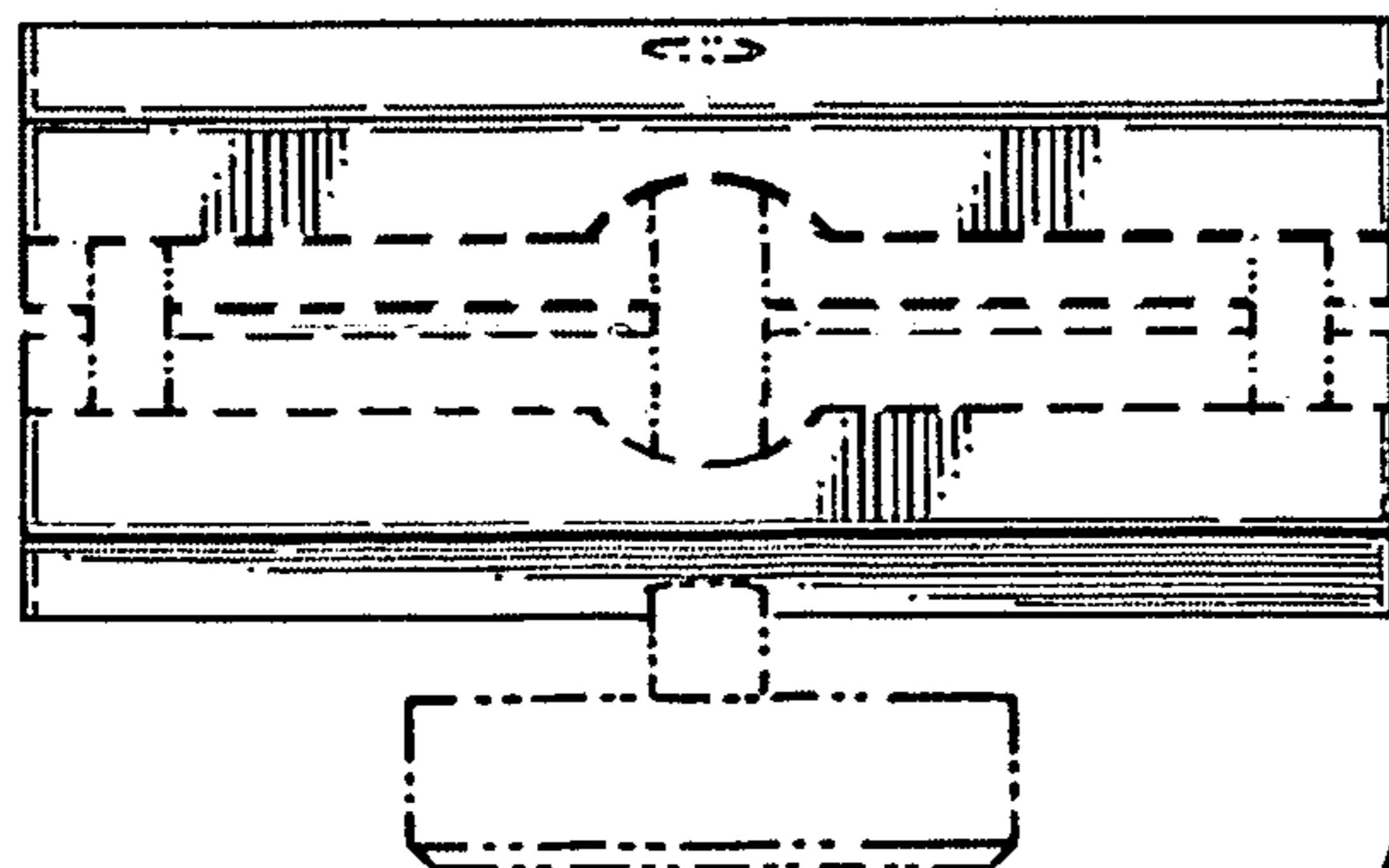


Fig. 5

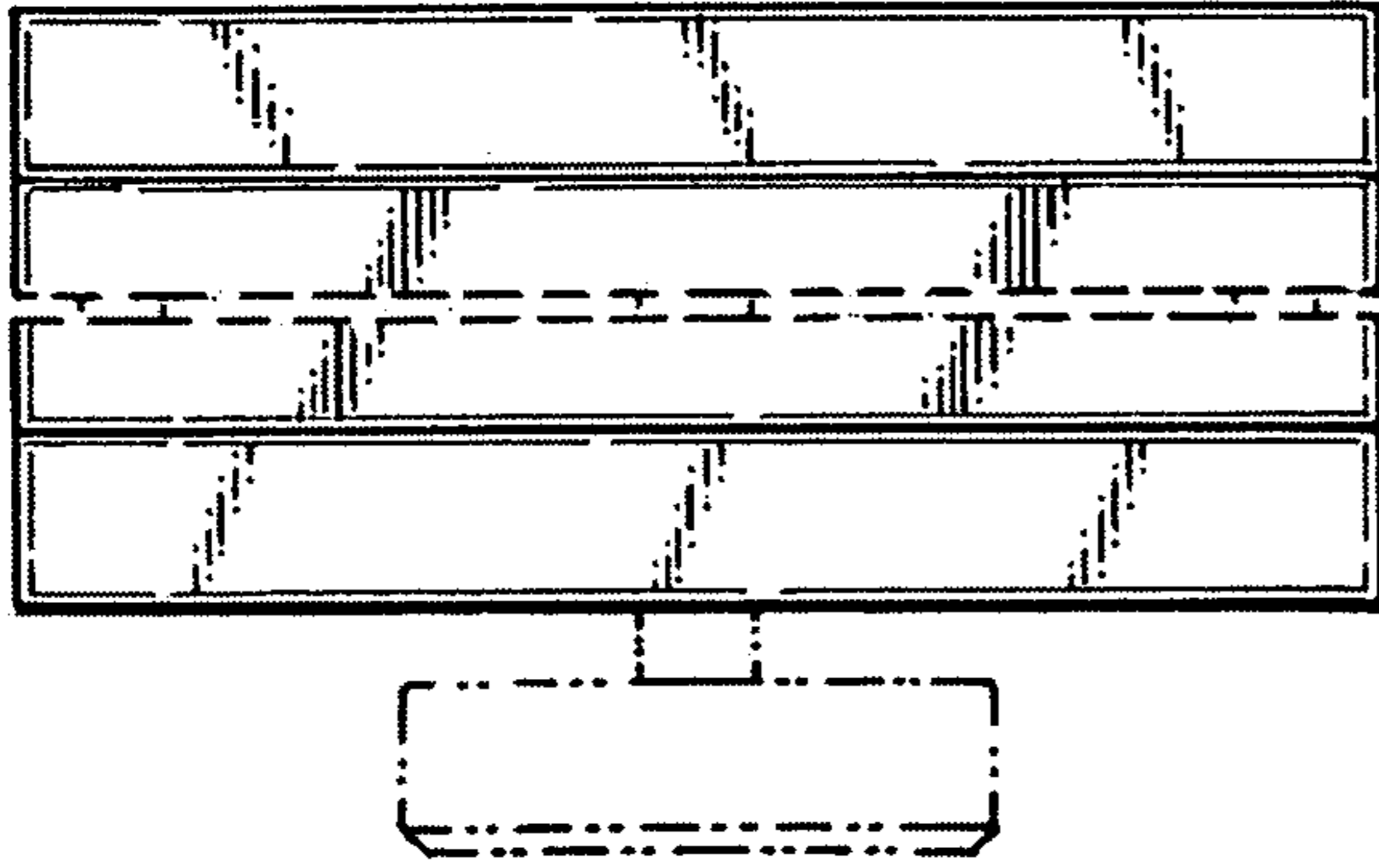


Fig. 6

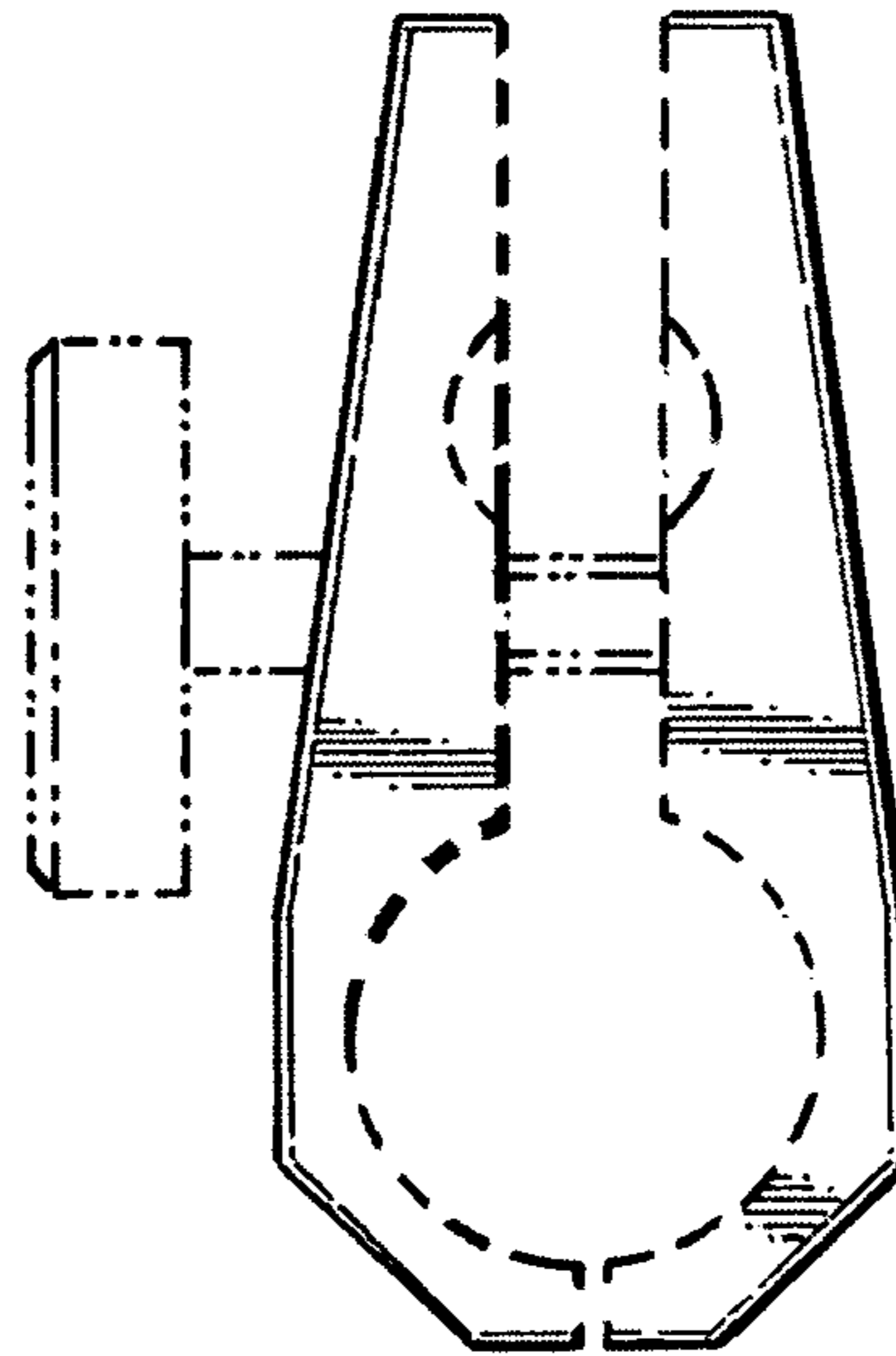


Fig. 7

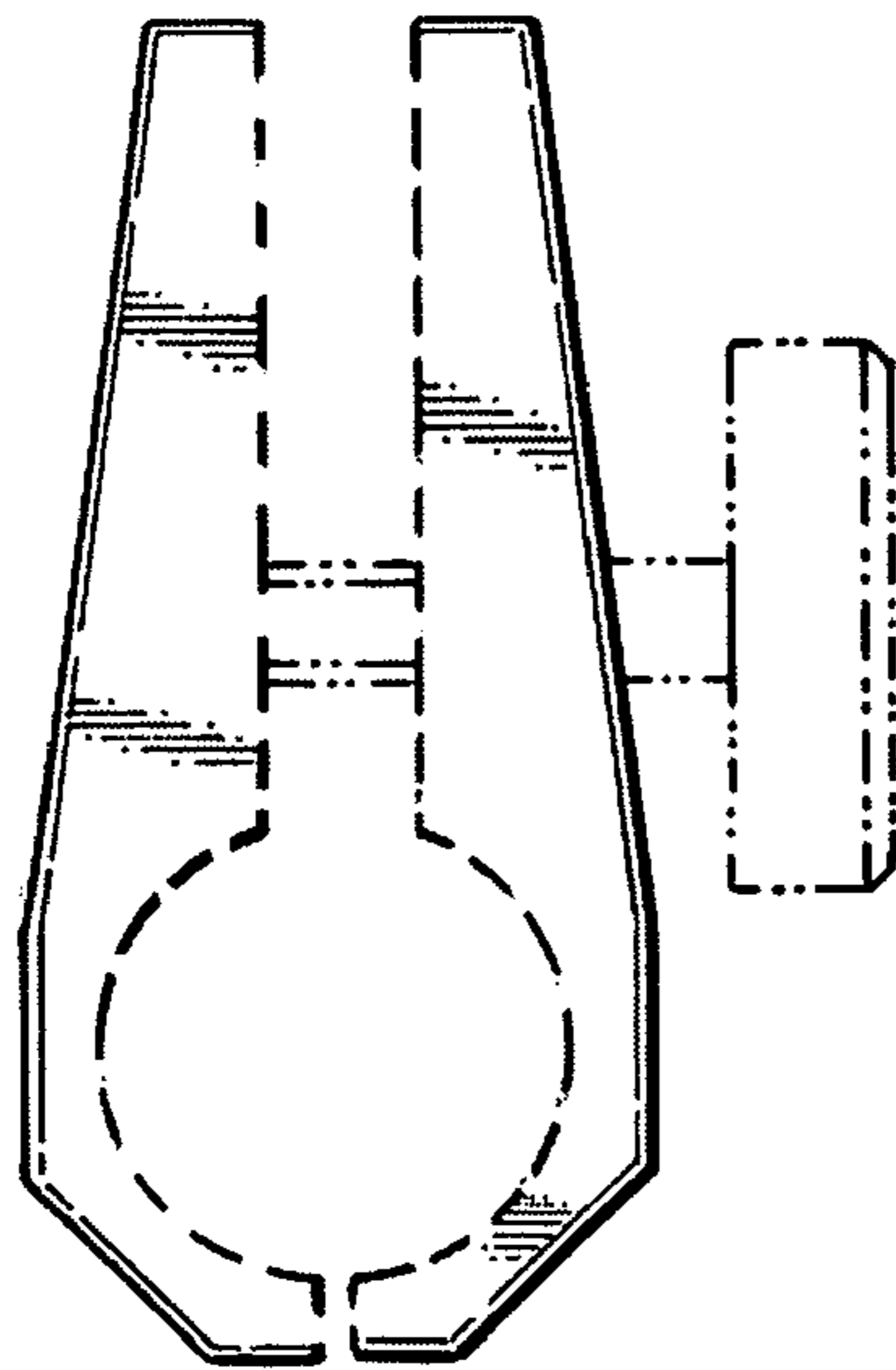


Fig. 8