

US00D595568S

(12) **United States Design Patent**
Ellwood

(10) **Patent No.:** **US D595,568 S**

(45) **Date of Patent:** **** Jul. 7, 2009**

(54) **CLIP**

(75) Inventor: **Charles William Oliver Ellwood,**
Braunschweig (DE)

(73) Assignee: **Pointflame Services Limited,**
Gloucestershire (GB)

(**) Term: **14 Years**

(21) Appl. No.: **29/261,678**

(22) Filed: **Jun. 16, 2006**

(30) **Foreign Application Priority Data**

Dec. 19, 2005 (EM) 000454137-0001-2

(51) **LOC (9) Cl.** **08-08**

(52) **U.S. Cl.** **D8/395**

(58) **Field of Classification Search** D8/356,
D8/371, 394-396; 24/570; 248/74.2, 215,
248/227.1, 49, 300, 301, 316.7, 51, 489;
D19/65, 66

See application file for complete search history.

(56) **References Cited**

U.S. PATENT DOCUMENTS

D156,659 S * 12/1949 Reed D8/395

D308,935 S * 7/1990 Leatherman D8/395
D366,410 S * 1/1996 Schlabach D8/395
D382,592 S * 8/1997 Maruchi D19/32
D503,430 S * 3/2005 Chang D19/83
D537,329 S * 2/2007 Blanton D8/395

* cited by examiner

Primary Examiner—T. Chase Nelson
Assistant Examiner—John Windmuller

(74) *Attorney, Agent, or Firm*—MacMillan, Sobanski &
Todd, LLC

(57) **CLAIM**

The ornamental design for a clip, as shown.

DESCRIPTION

FIG. 1 is a perspective view of a clip embodying my design.

FIG. 2 is a left side elevational view thereof.

FIG. 3 is a top plan view thereof.

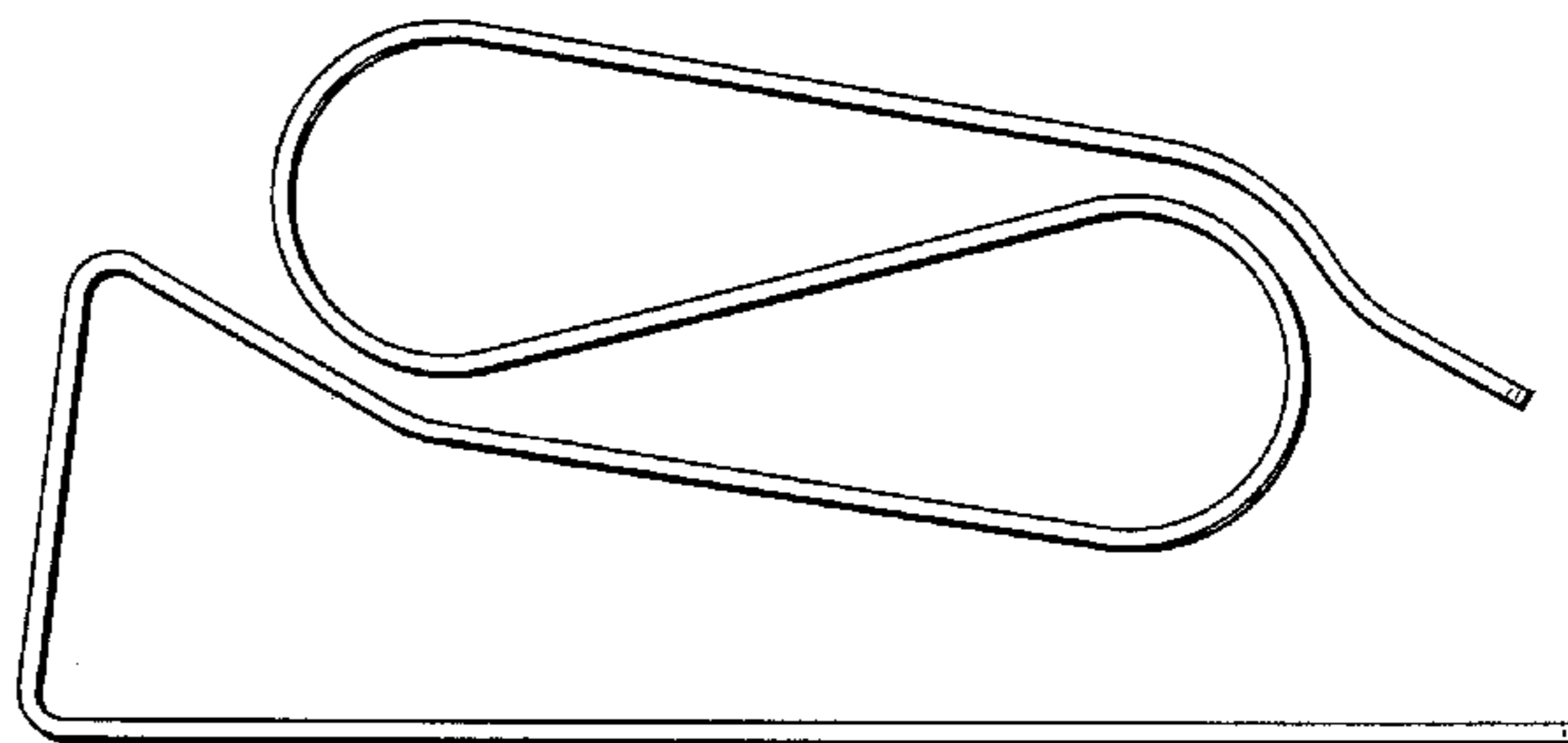
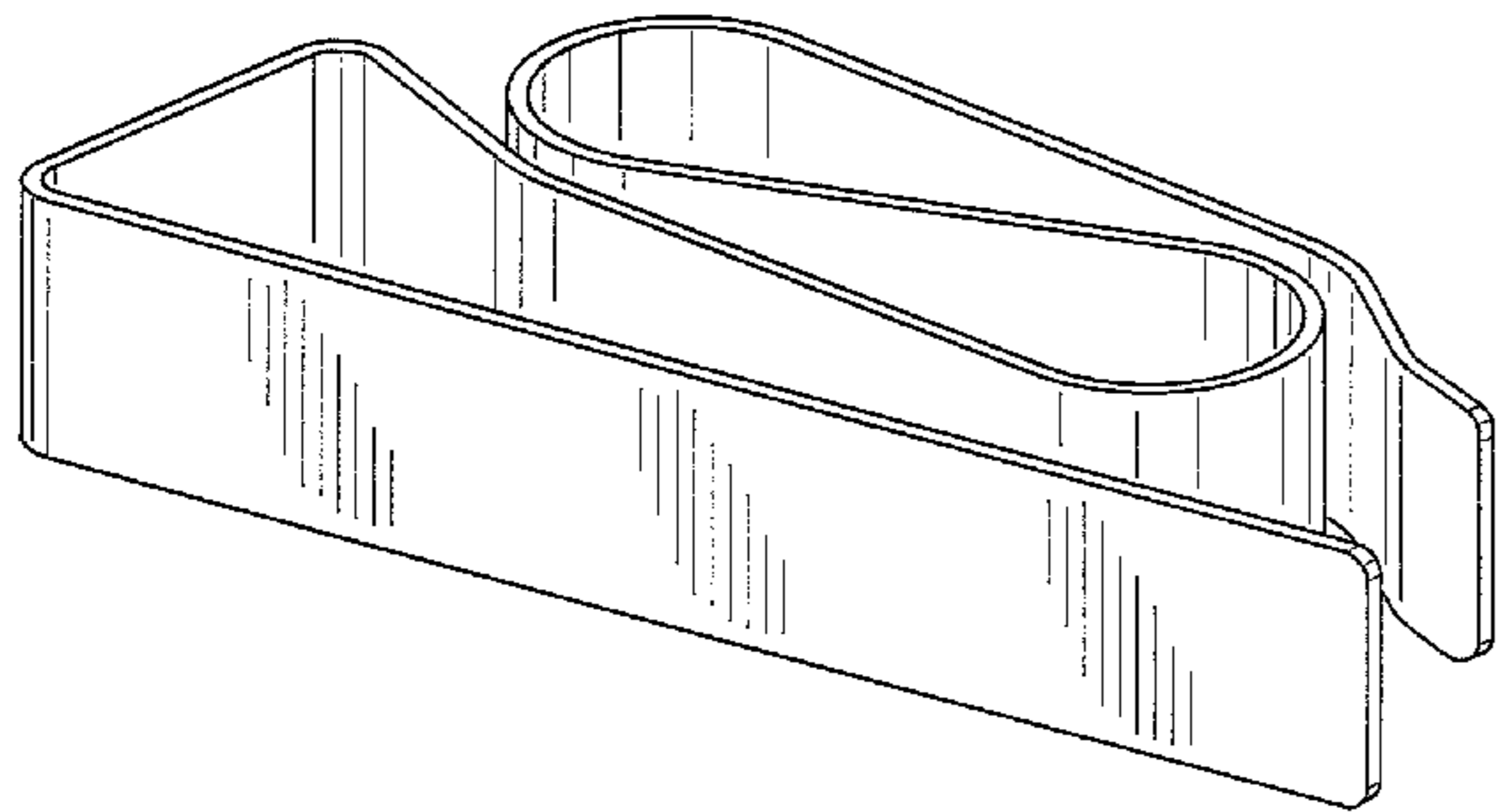
FIG. 4 is a bottom plan view thereof.

FIG. 5 is a right side elevational view thereof.

FIG. 6 is a front end elevational view thereof; and,

FIG. 7 is a rear end elevational view thereof.

1 Claim, 3 Drawing Sheets



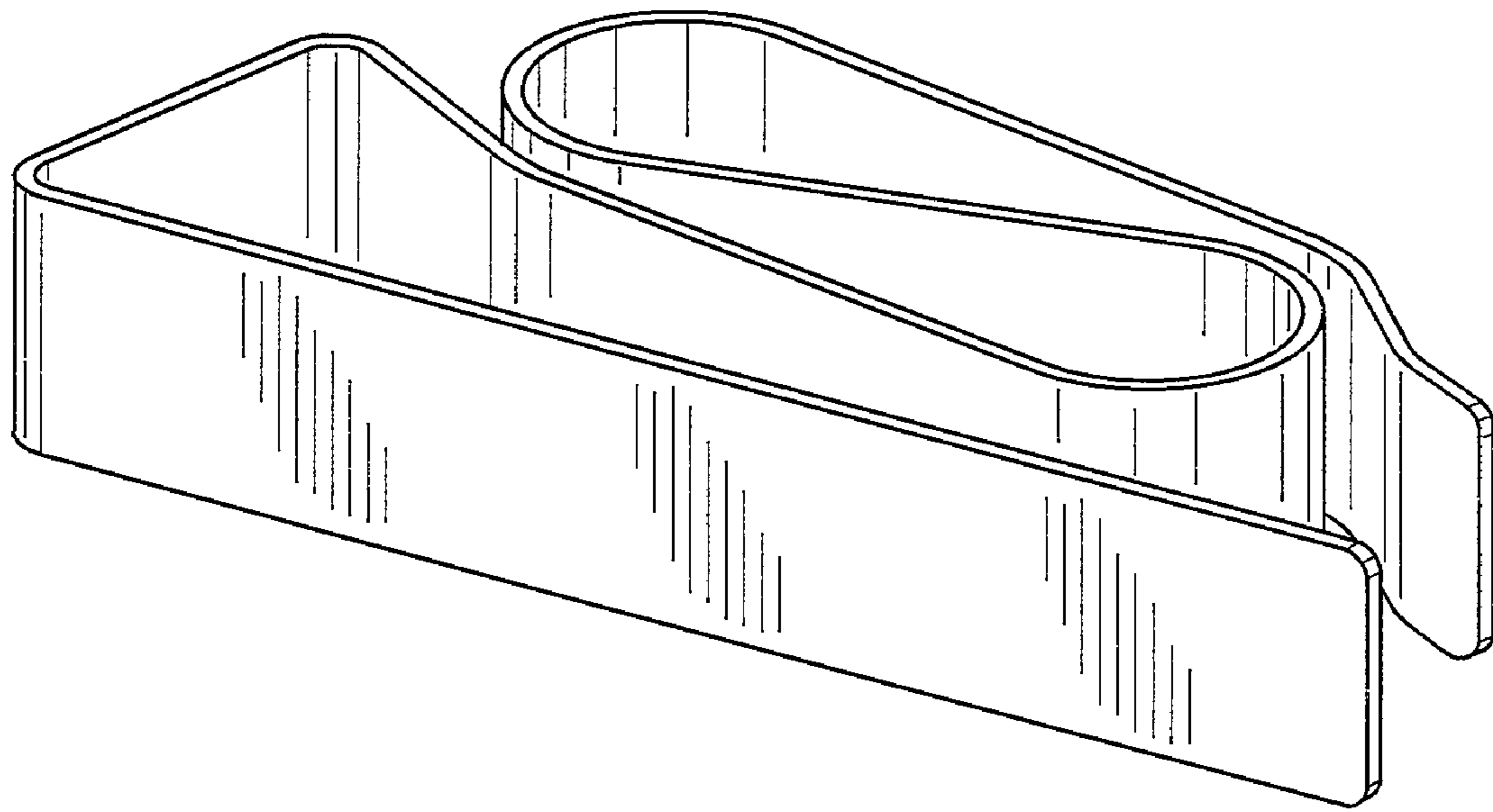


FIG. 1

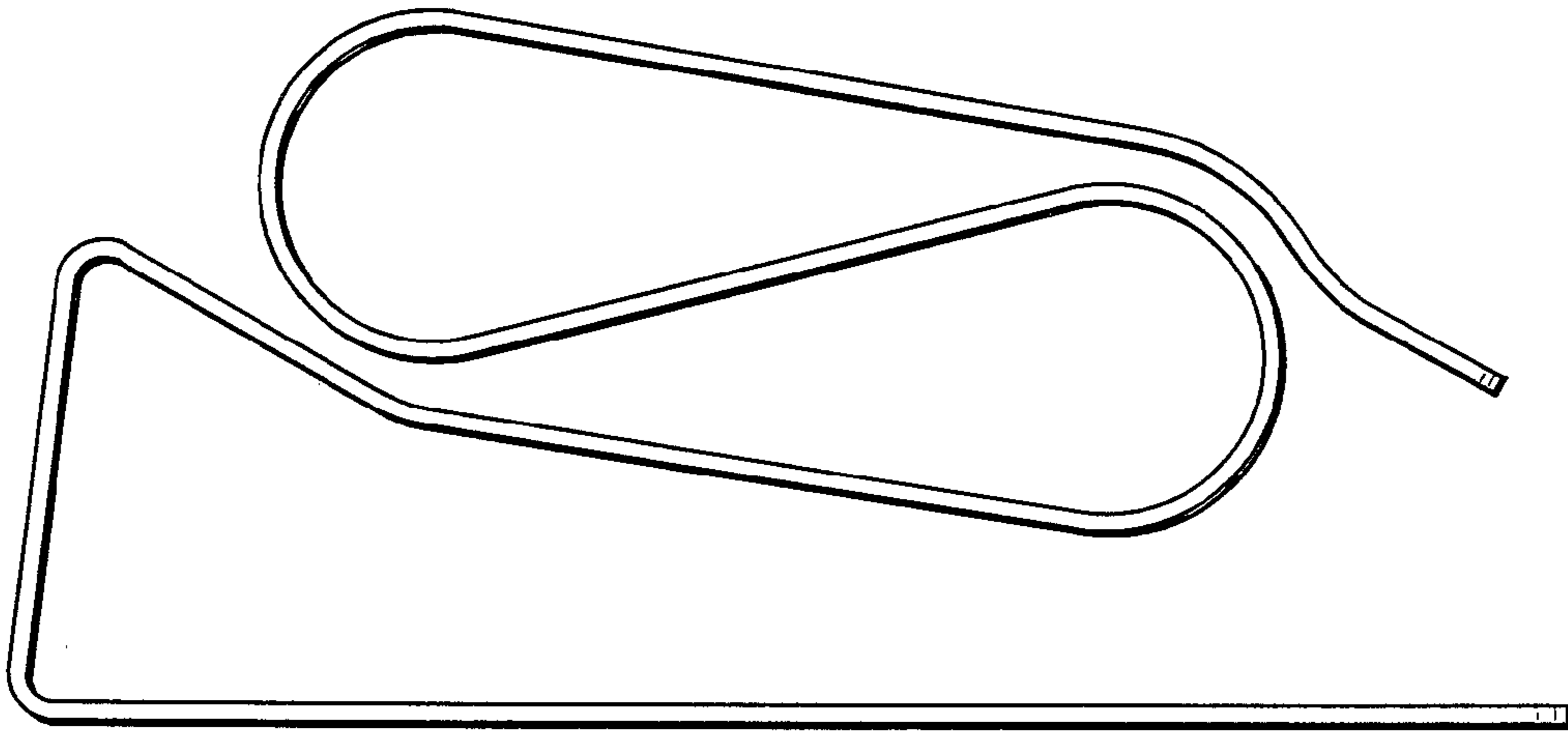


FIG. 2

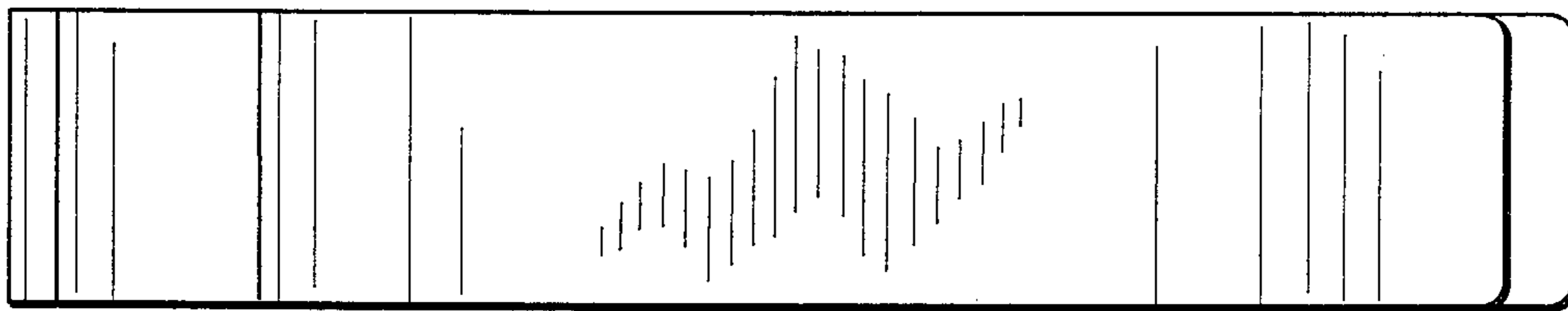


FIG. 3

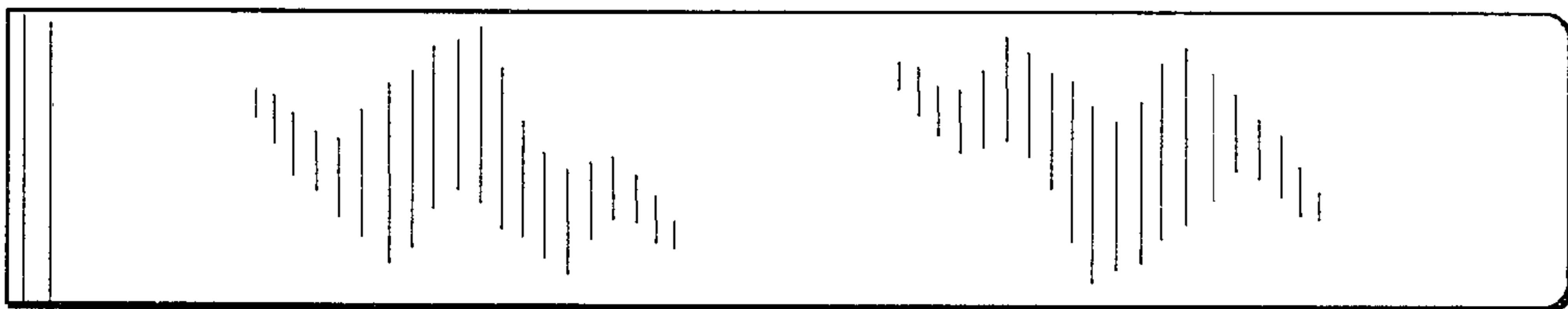


FIG. 4

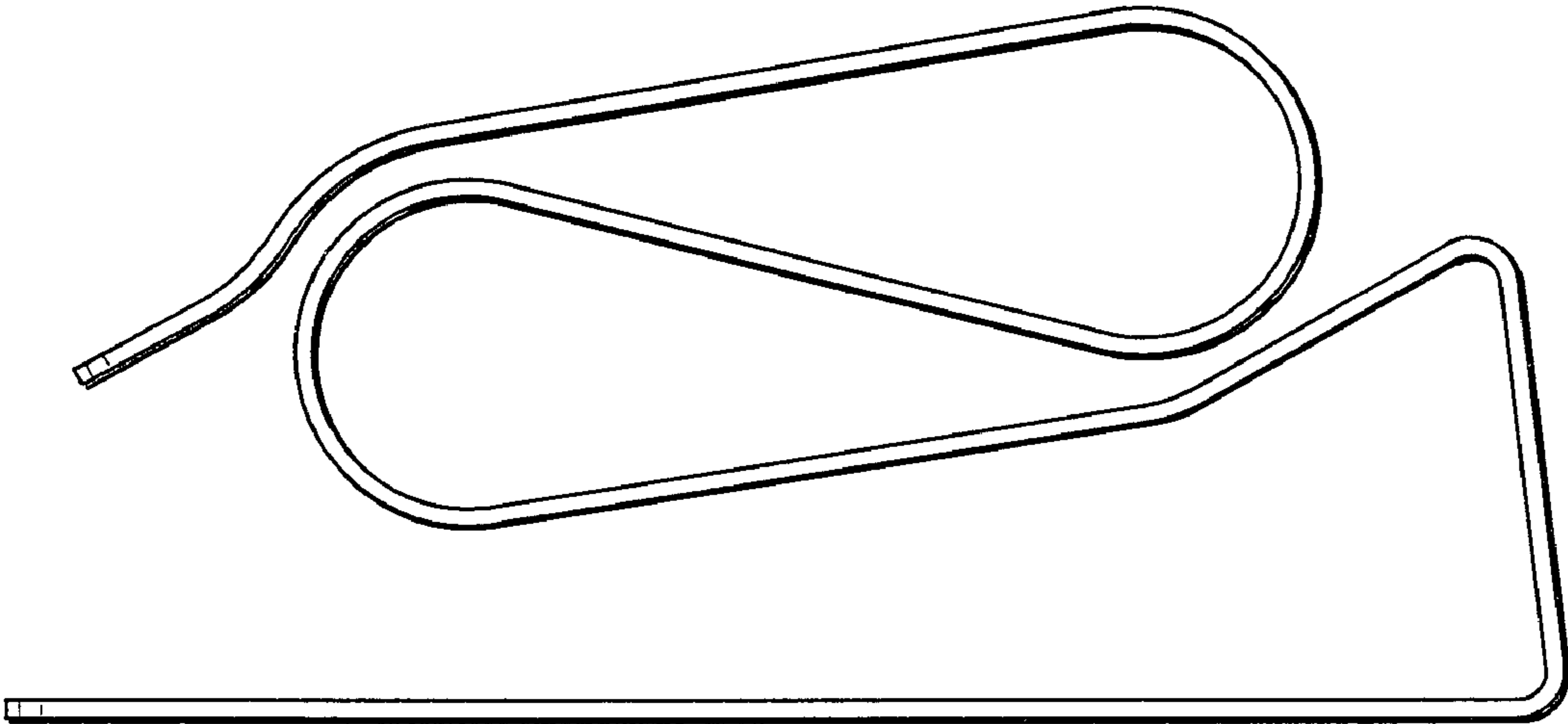


FIG. 5

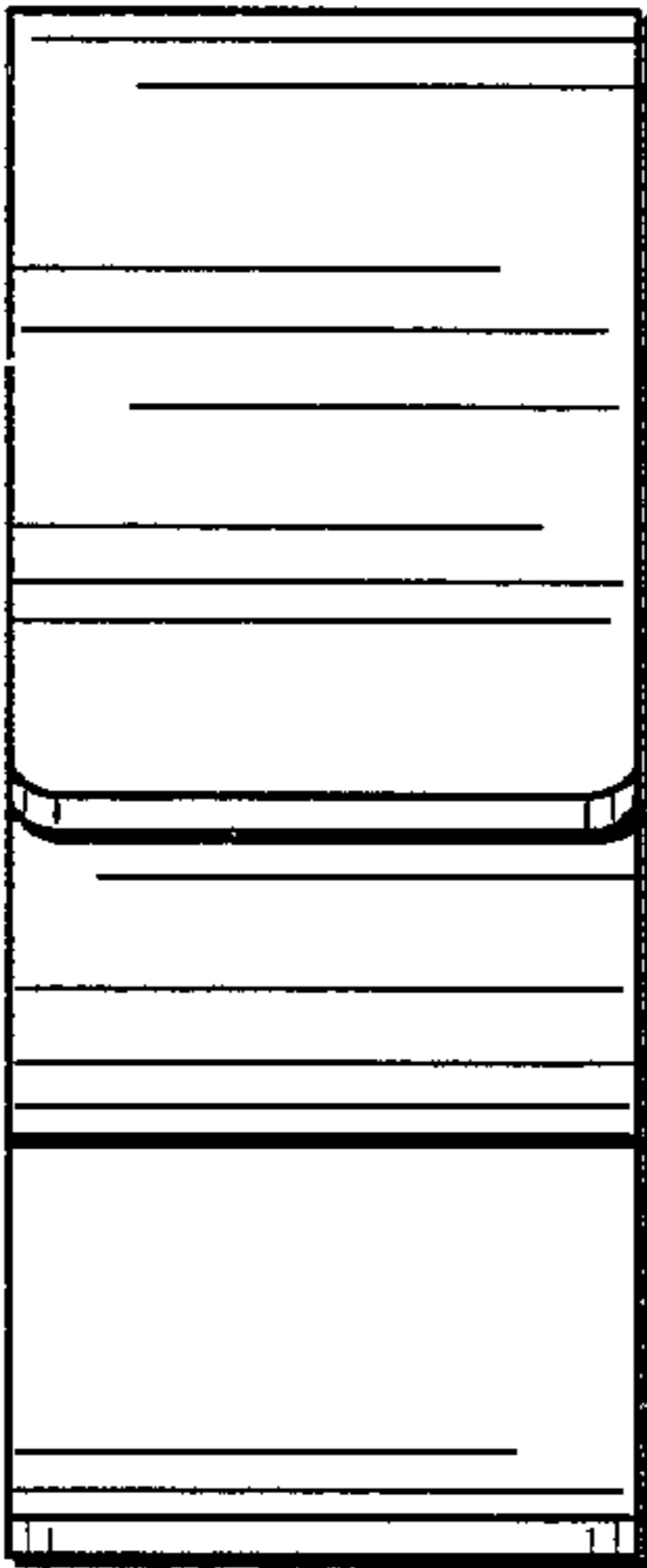


FIG. 6

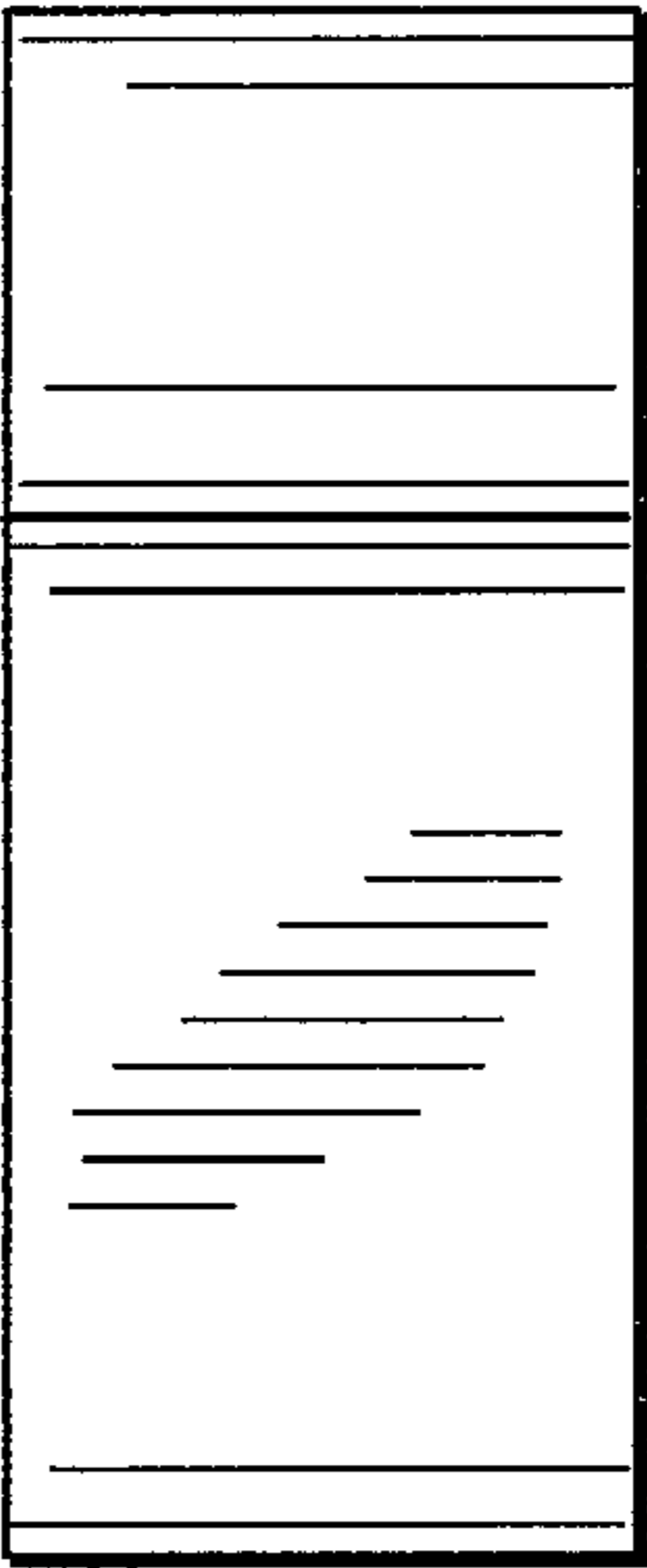


FIG. 7