



US00D595565S

(12) **United States Design Patent**
Robertson et al.

(10) **Patent No.:** **US D595,565 S**

(45) **Date of Patent:** **** Jul. 7, 2009**

(54) **SUCTION DEVICE**

(76) Inventors: **Linda Robertson**, 1912 Britannia Cir.,
Woodstock, GA (US) 30188; **Clark**
Robertson, 1912 Britannia Cir.,
Woodstock, GA (US) 30188

(**) Term: **14 Years**

(21) Appl. No.: **29/326,649**

(22) Filed: **Oct. 22, 2008**

(51) **LOC (9) Cl.** **08-05**

(52) **U.S. Cl.** **D8/354**

(58) **Field of Classification Search** D8/14,
D8/349, 154, 373, 394; D34/28, 35; 248/205.5–206.3,
248/309.3, 362, 363, 537, 683; 294/64.1;
362/397

See application file for complete search history.

(56) **References Cited**

U.S. PATENT DOCUMENTS

977,395	A *	11/1910	Norton	248/206.3
2,385,977	A *	10/1945	Farmer	248/205.5
2,910,264	A *	10/1959	Lindenberger	248/362
3,879,005	A *	4/1975	Flick	248/205.5
4,196,882	A *	4/1980	Rognon	248/205.9
4,696,447	A *	9/1987	Strecker	248/206.3
5,039,046	A *	8/1991	Brewster	248/206.3
D388,691	S *	1/1998	Adams	D8/354

D398,217	S *	9/1998	Richter	D8/349
6,325,344	B1 *	12/2001	Gary et al.	248/206.3
D452,828	S *	1/2002	Wah	D10/22
6,648,492	B1 *	11/2003	Shih	362/397
D489,966	S *	5/2004	Ho	D8/382
2002/0139911	A1 *	10/2002	Immerman	248/206.3
2008/0001047	A1 *	1/2008	Madison	248/205.5

* cited by examiner

Primary Examiner—Holly H Baynham

Assistant Examiner—Cynthia M Chin

(74) *Attorney, Agent, or Firm*—Smith Moore Leatherwood
LLP; Thomas W. Epting

(57) **CLAIM**

The ornamental design for a suction device, as shown and described.

DESCRIPTION

FIG. 1 is a perspective view of our new design;

FIG. 2 is a front elevational view thereof;

FIG. 3 is a rear elevational view thereof;

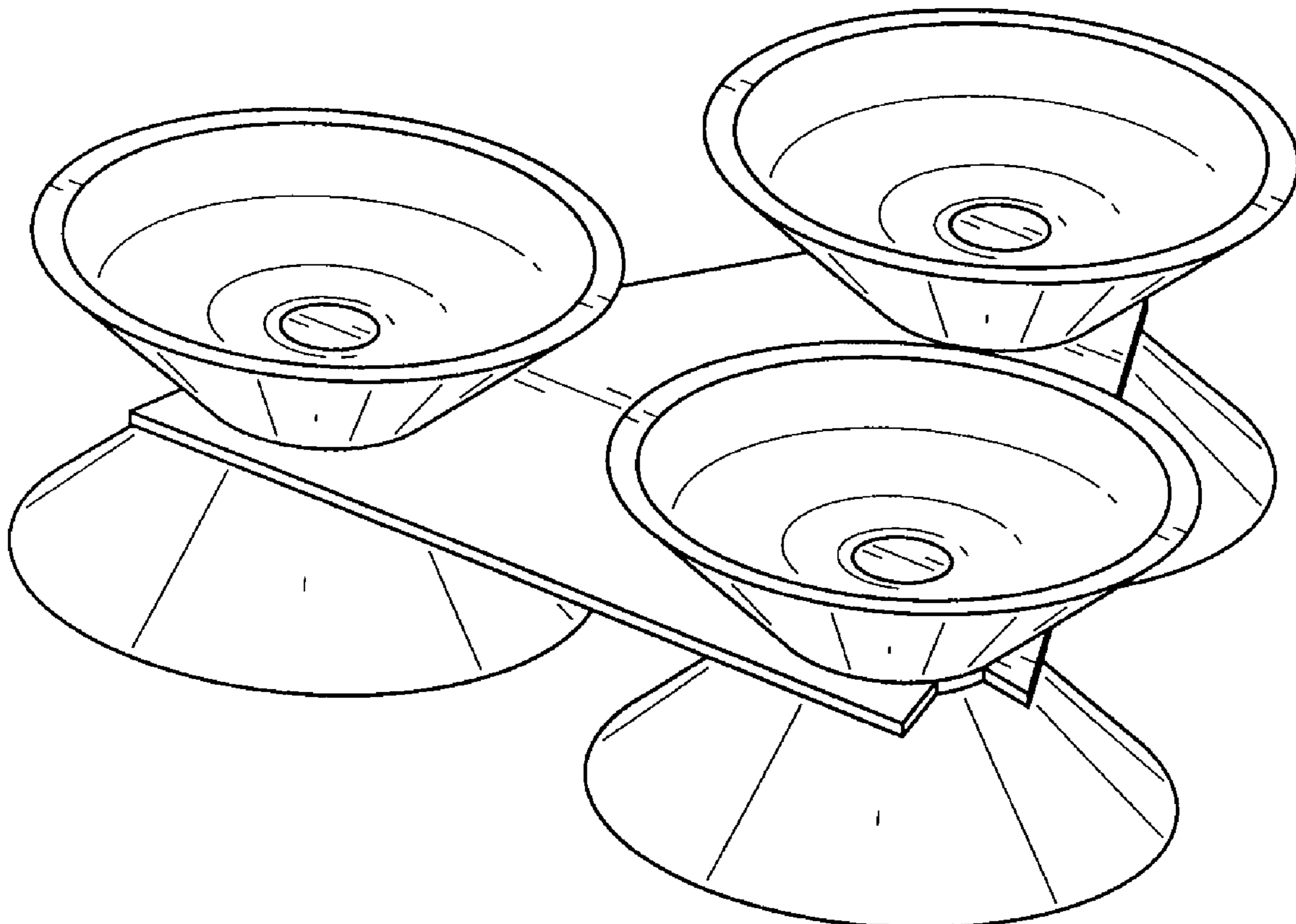
FIG. 4 is a left elevational view thereof;

FIG. 5 is a right elevational view thereof;

FIG. 6 is a top plan view thereof; and,

FIG. 7 is a bottom plan view thereof.

1 Claim, 7 Drawing Sheets



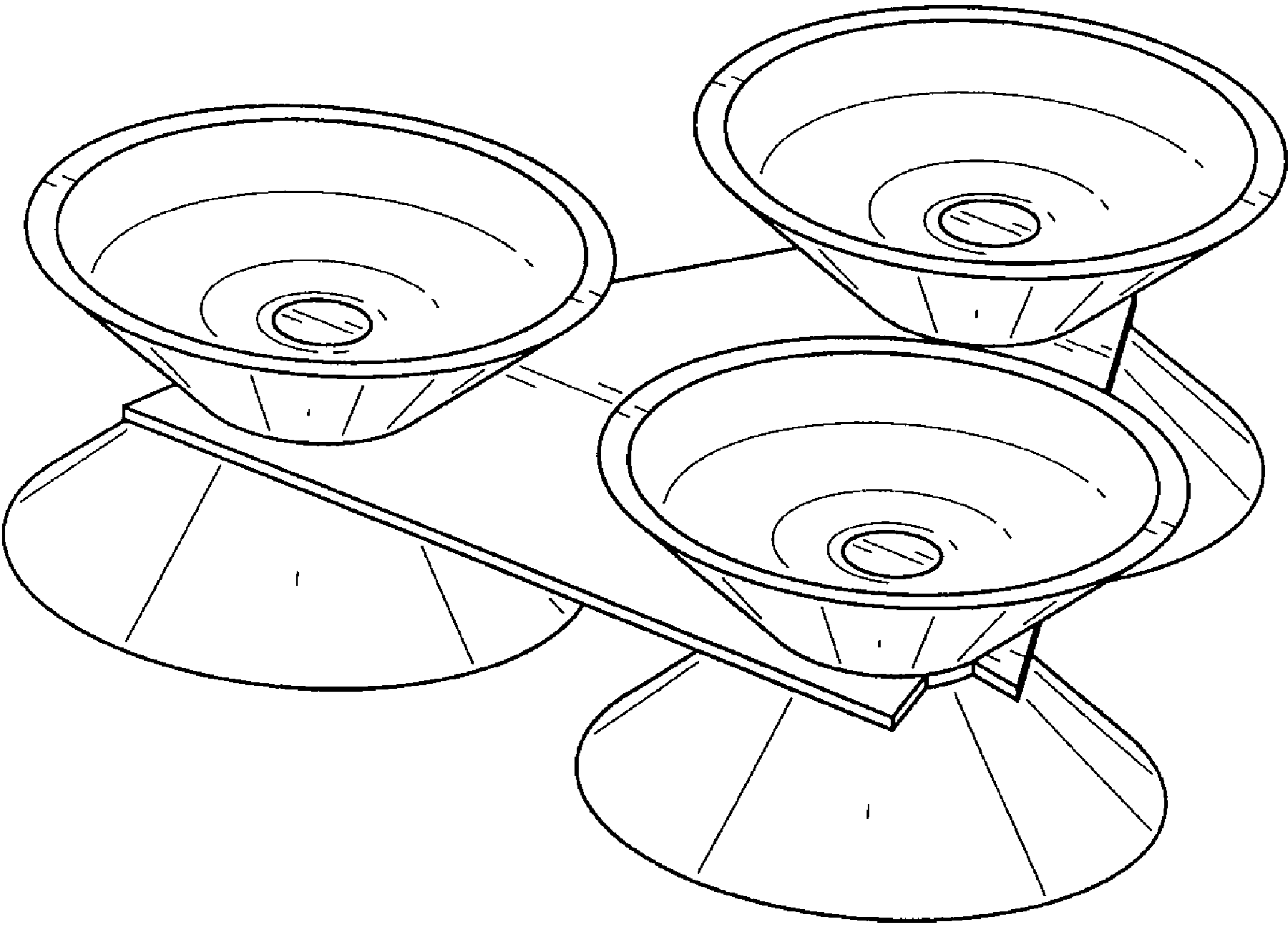


FIG. 1

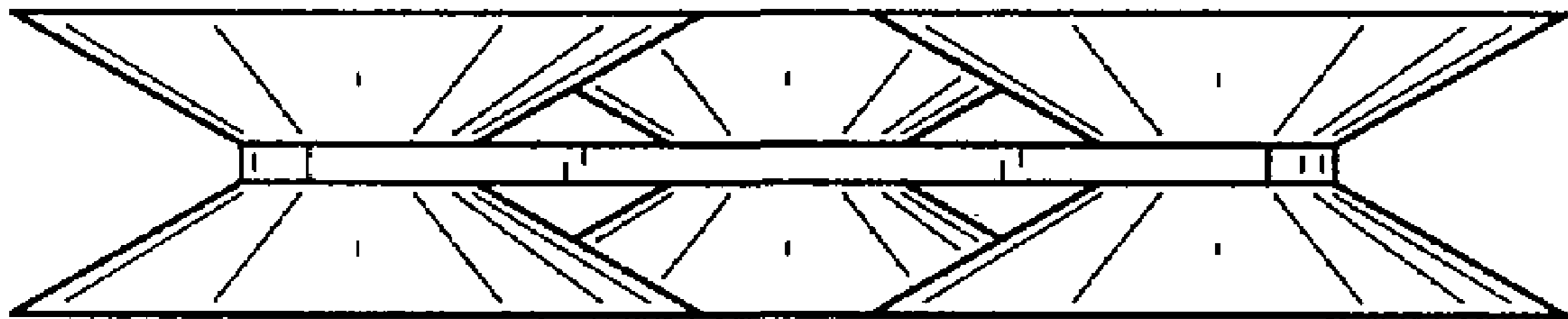


FIG. 2

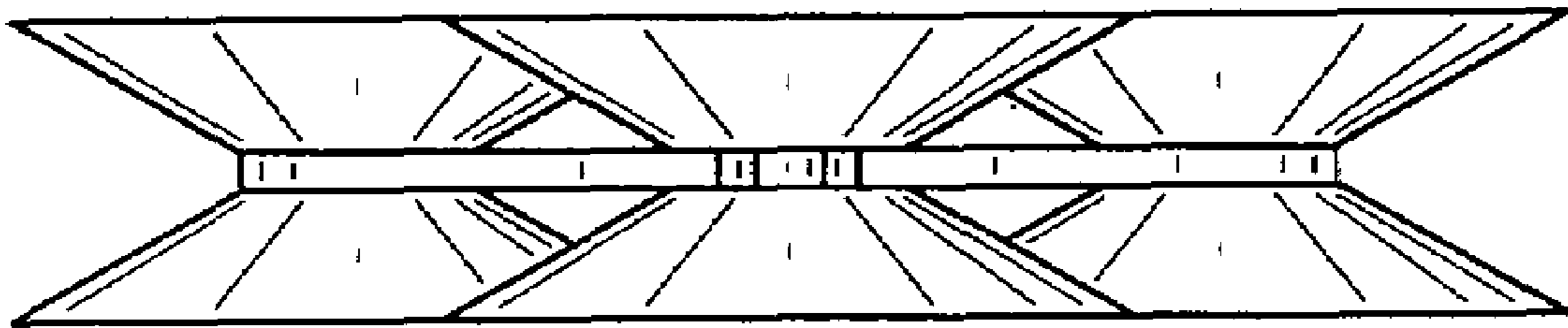


FIG. 3

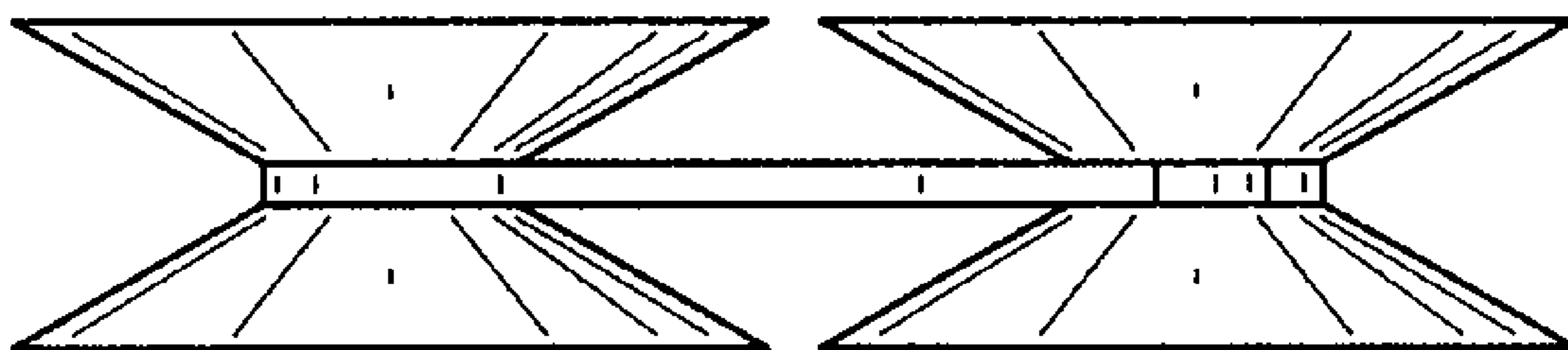


FIG. 4

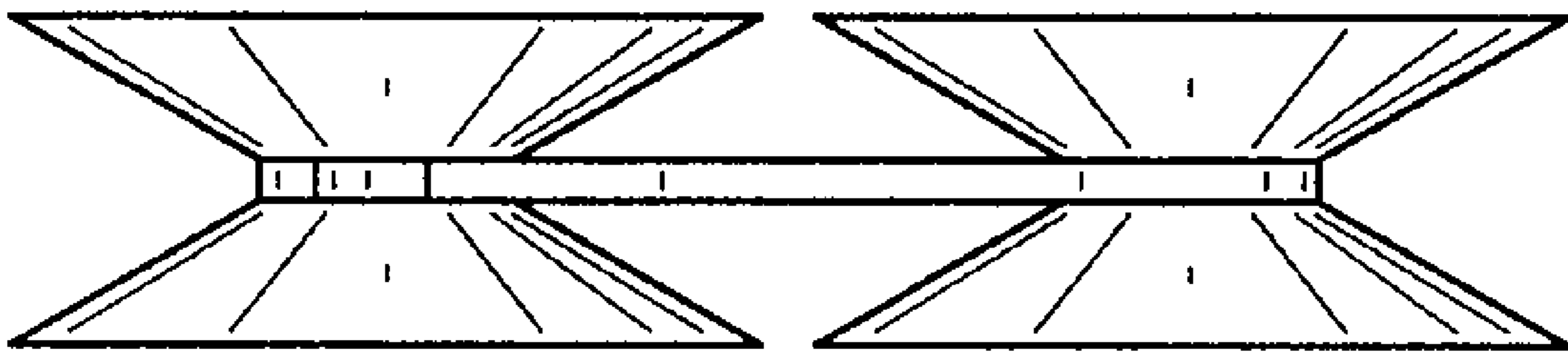


FIG. 5

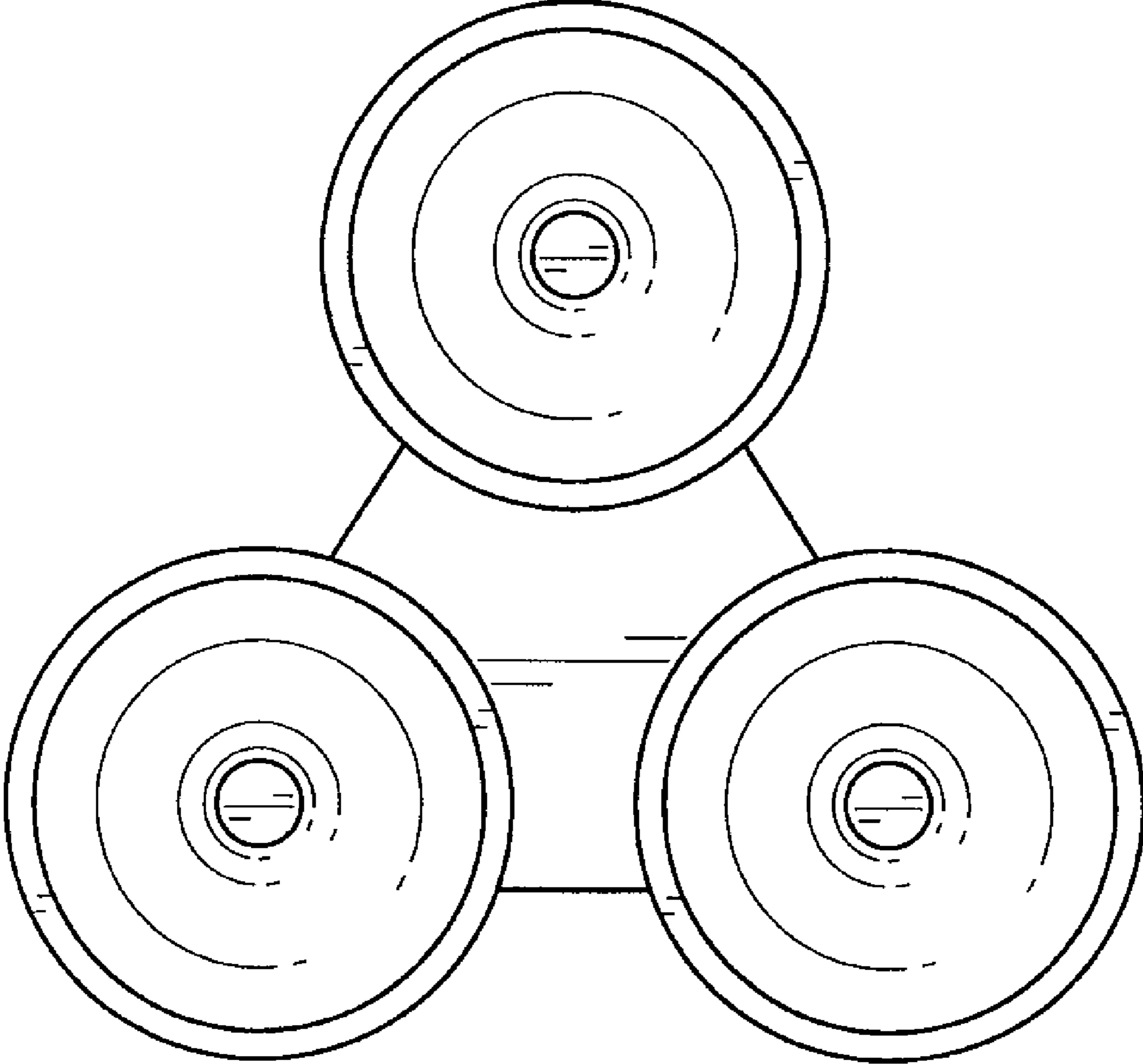


FIG. 6

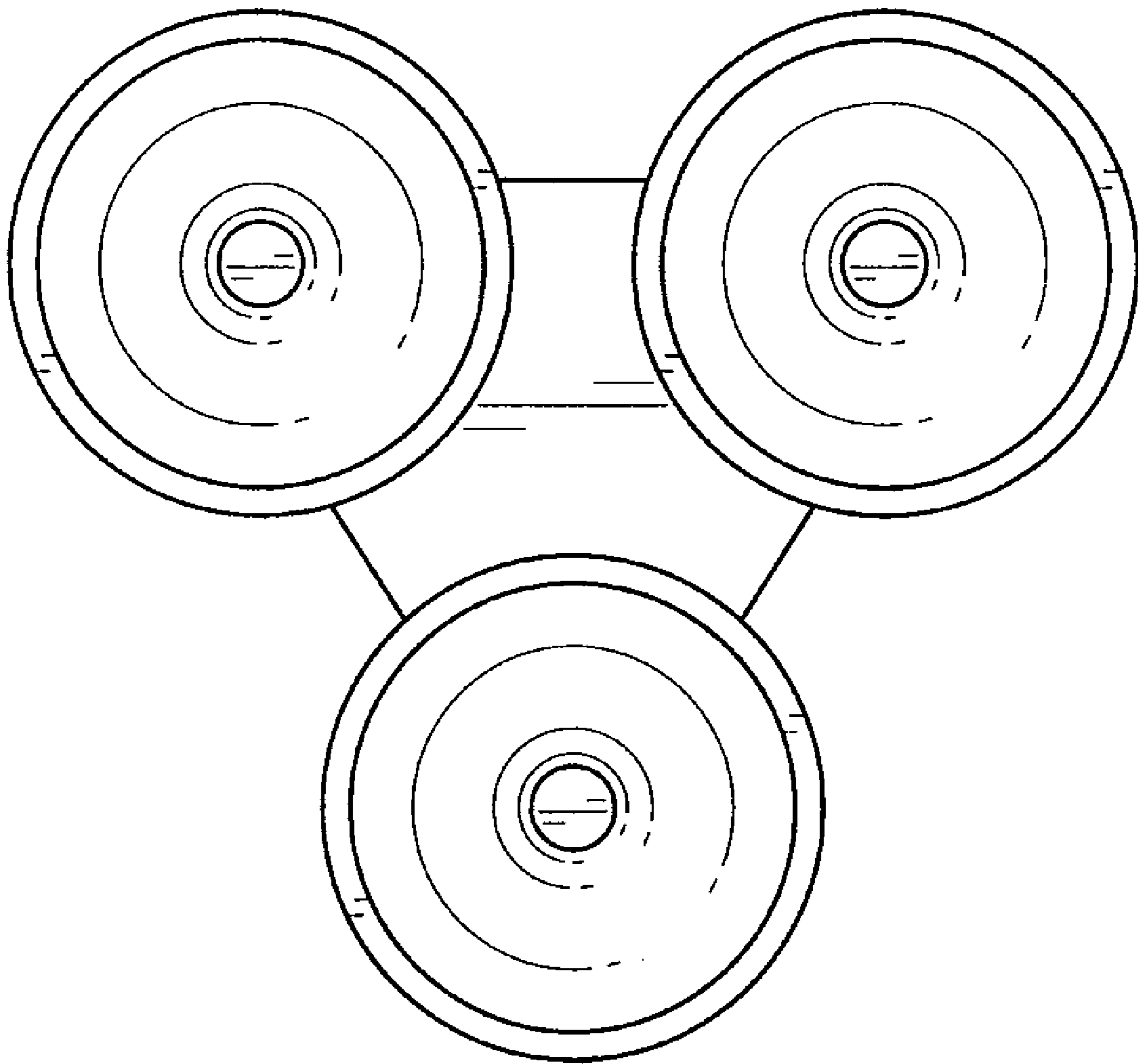


FIG. 7