



US00D595564S

(12) **United States Design Patent**
Jones et al.

(10) **Patent No.:** **US D595,564 S**
(45) **Date of Patent:** **** Jul. 7, 2009**

(54) **FINGER-LIFT HANDLE FOR A SLIDING WINDOW**

(75) Inventors: **Sherry L. Jones**, Pataskala, OH (US);
Brian Dallmann, Owatonna, MN (US)

(73) Assignee: **Truth Hardware Corporation**,
Owatonna, MN (US)

(**) Term: **14 Years**

(21) Appl. No.: **29/323,328**

(22) Filed: **Aug. 22, 2008**

(51) **LOC (9) Cl.** **08-07**

(52) **U.S. Cl.** **D8/337; D8/343**

(58) **Field of Classification Search** D8/330,
D8/331, 336-339, 343; 70/13, 141, 77, 81;
292/336.3, 347, 358, 359, 217, 224, 202,
292/204, 175, DIG. 20, DIG. 47, 228, 241,
292/242

See application file for complete search history.

(56) **References Cited**

U.S. PATENT DOCUMENTS

3,082,617	A	3/1963	Kerman	
3,768,847	A	10/1973	Buck, Jr. et al.	
3,984,136	A	10/1976	Bills	
4,063,766	A *	12/1977	Granberg	292/336
D249,017	S *	8/1978	Costello	D8/337
4,114,934	A	9/1978	Kelly	
4,284,299	A	8/1981	Kelly	
4,293,154	A	10/1981	Cassells	
D268,643	S	4/1983	Anderson	
4,699,406	A	10/1987	Swanson, Jr.	
4,736,972	A	4/1988	Mosch	
4,805,263	A	2/1989	Kurtz	
D302,651	S	8/1989	Mosch	
5,326,141	A	7/1994	Gorman	
D371,290	S	7/1996	Ozark	
D382,191	S *	8/1997	Plummer	D8/337

5,669,639	A	9/1997	Lawrence	
D408,263	S *	4/1999	Briggs	D8/337
D418,737	S	1/2000	Libby et al.	
D442,058	S	5/2001	Miller et al.	
6,485,070	B1	11/2002	Schultz	
6,634,683	B1 *	10/2003	Brannan	292/241
D483,649	S	12/2003	Linford et al.	
6,871,886	B2 *	3/2005	Coleman et al.	292/241
7,017,957	B2 *	3/2006	Murphy et al.	292/241
D520,334	S	5/2006	Christie	
D569,708	S *	5/2008	Wolf	D8/337
D571,635	S	6/2008	Liang et al.	
D583,216	S *	12/2008	Wolf	D8/343
2001/0005995	A1 *	7/2001	Subliskey	70/89
2003/0057717	A1 *	3/2003	Murphy et al.	292/241
2004/0026932	A1 *	2/2004	Coleman et al.	292/241

* cited by examiner

Primary Examiner—Prabhakar Deshmukh

(74) *Attorney, Agent, or Firm*—Patterson, Thunte, Skaar & Christensen, PA

(57) **CLAIM**

The ornamental design for a finger-lift handle for a sliding window, as shown and described.

DESCRIPTION

FIG. 1 is a perspective view of a finger-lift handle for sliding window showing our new design;

FIG. 2 is a front elevational view thereof;

FIG. 3 is a rear elevational view thereof;

FIG. 4 is a right side elevational view thereof, the left side elevational view being a mirror image thereof;

FIG. 5 is a top plan view thereof; and,

FIG. 6 is a bottom plan view thereof.

The opposing side elevation view of the finger-lift handle for a sliding window, although not depicted, is a mirror image of the view of FIG. 4.

1 Claim, 2 Drawing Sheets

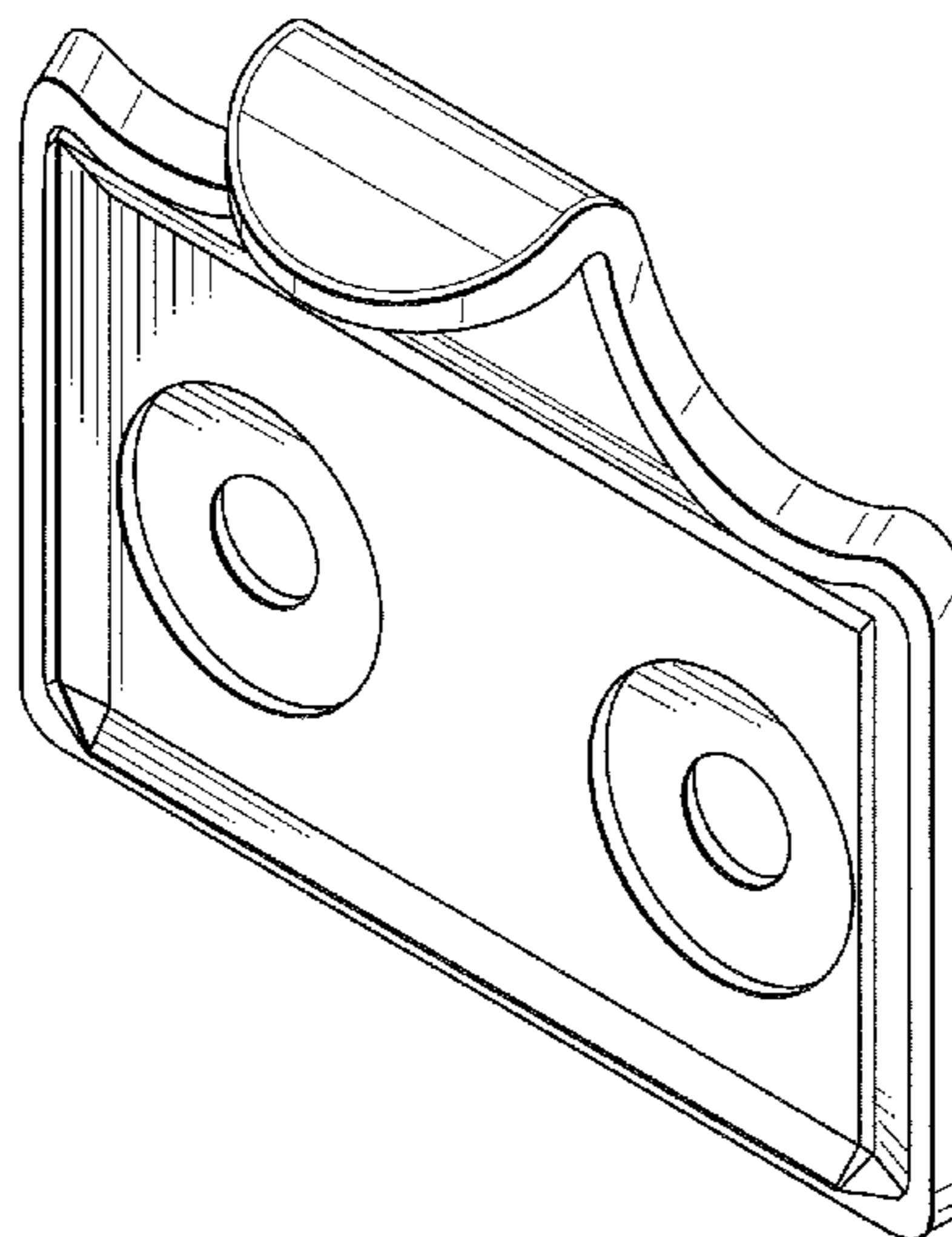


Fig. 1

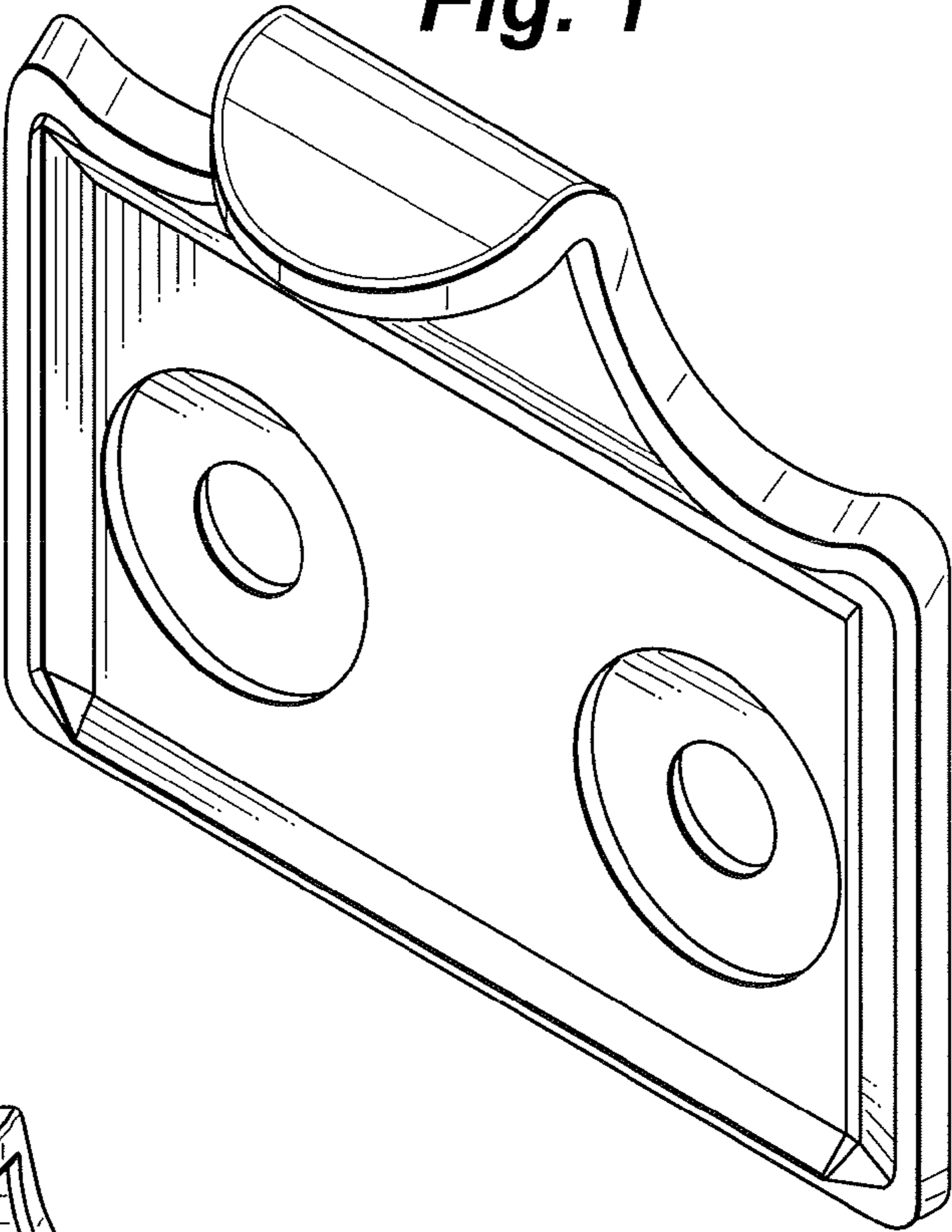


Fig. 2

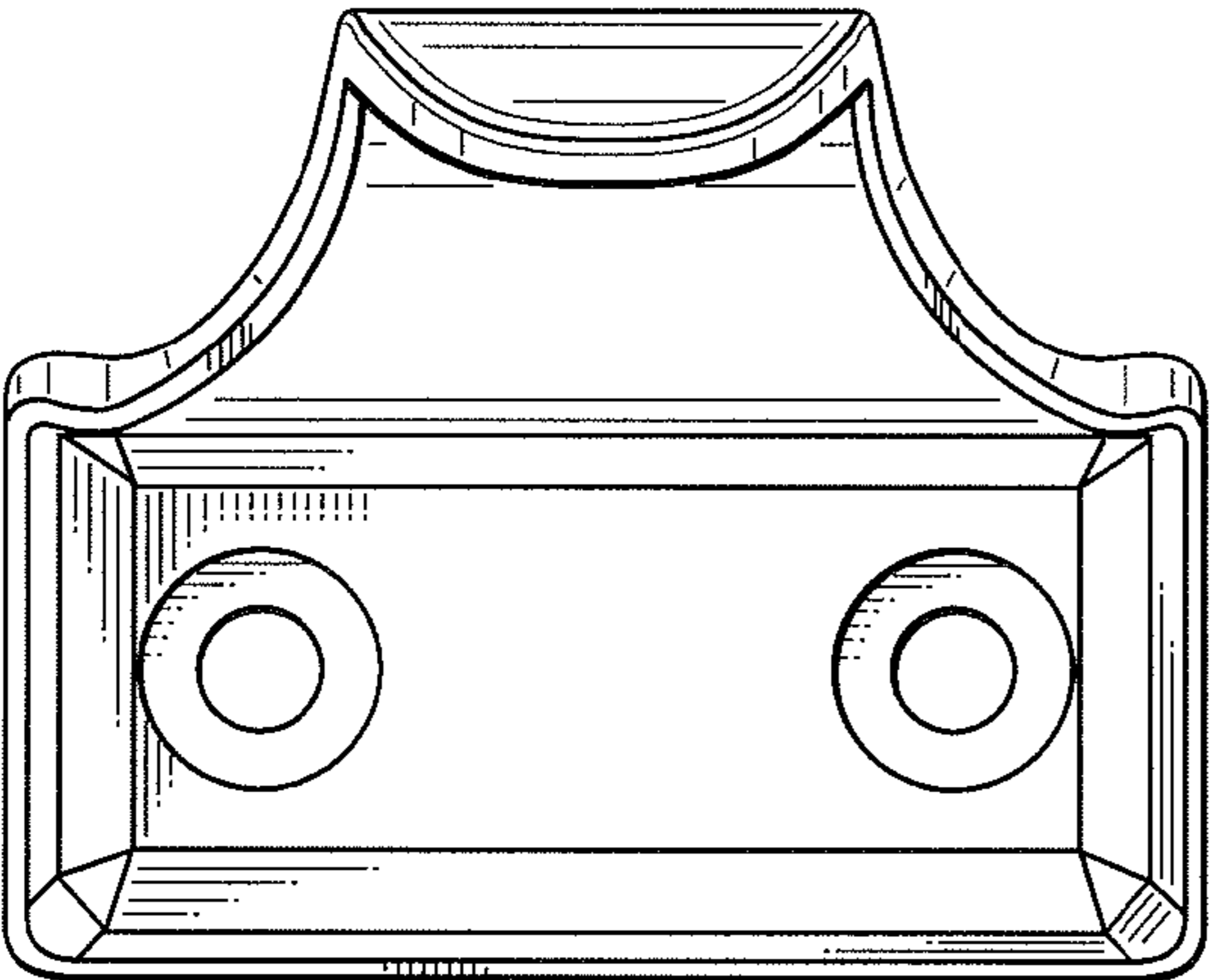


Fig. 3

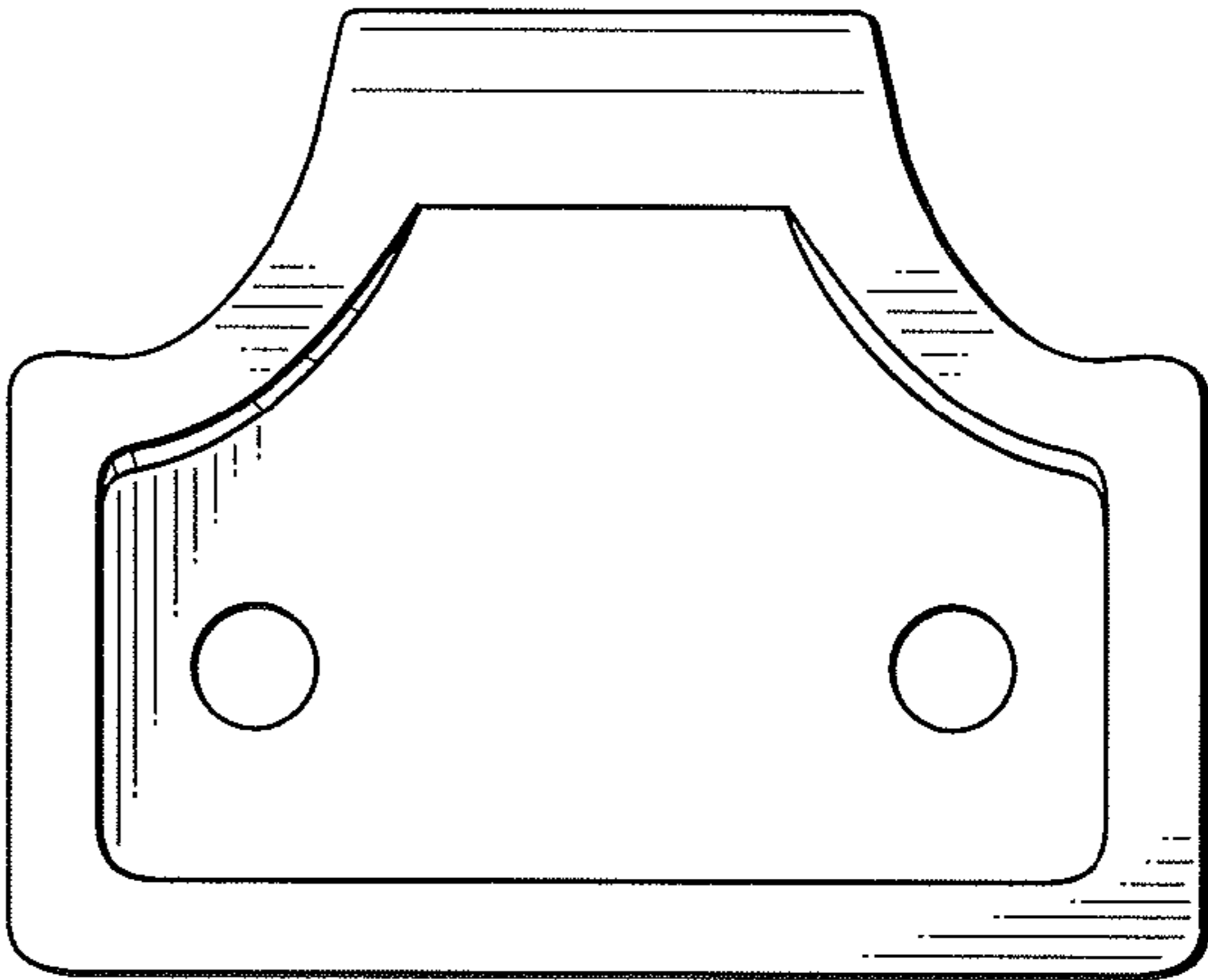


Fig. 4

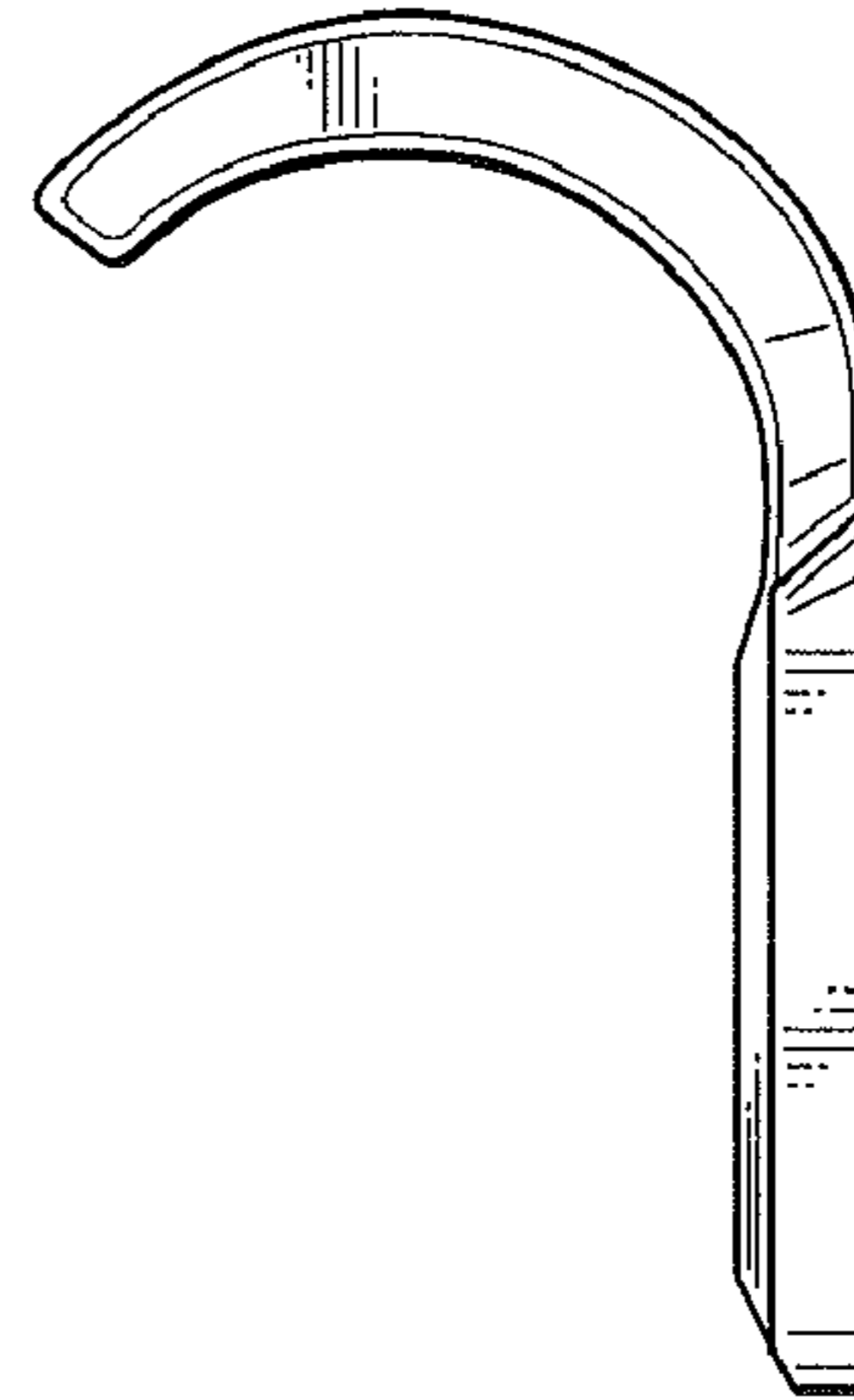


Fig. 5

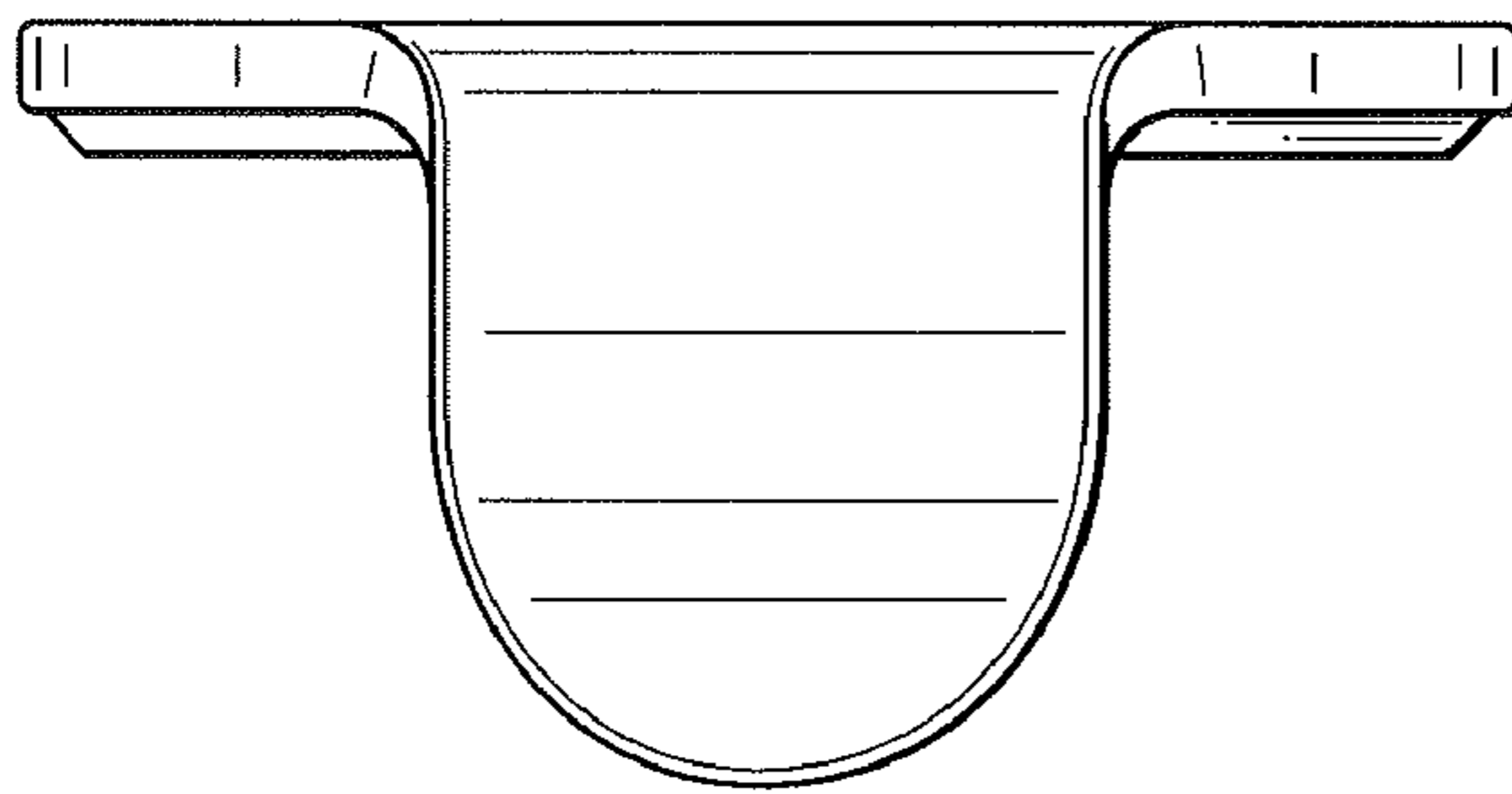


Fig. 6

