

US00D595563S

(12) **United States Design Patent**  
**Stevens**

(10) **Patent No.:** **US D595,563 S**

(45) **Date of Patent:** **\*\* Jul. 7, 2009**

(54) **LOCK**

(75) Inventor: **Scott Stevens**, Cudahy, WI (US)

(73) Assignee: **Master Lock Company LLC**, Oak Creek, WI (US)

(\*\*) Term: **14 Years**

(21) Appl. No.: **29/325,087**

(22) Filed: **Sep. 25, 2008**

(51) **LOC (9) Cl.** ..... **08-07**

(52) **U.S. Cl.** ..... **D8/334; D8/343**

(58) **Field of Classification Search** ..... D8/334,  
D8/330, 331, 333, 336, 338, 339, 343, 346;  
70/14, 20, 21, 24, 25, 31, 35, 38 A, 51-56,  
70/91, 141, 278.1, DIG. 43, DIG. 56, DIG. 76  
See application file for complete search history.

(56) **References Cited**

**U.S. PATENT DOCUMENTS**

453,082 A	5/1891	Hollyday	
952,643 A	3/1910	Roche	
1,560,868 A	11/1925	Shinn	
1,662,612 A	3/1928	Junkunc	
1,757,387 A	5/1930	Rabkin	
2,036,541 A	4/1936	Ringseis	
2,159,291 A *	5/1939	Quintal	70/21
2,733,590 A	2/1956	Crumb	
2,874,563 A	2/1959	Schlage	
2,904,985 A	9/1959	Murphy	
2,906,112 A	9/1959	Vahlstrom	
2,956,430 A	10/1960	Simmons	
3,263,463 A	8/1966	Duval	
3,400,564 A	9/1968	Glass	
3,529,456 A	9/1970	McWilliams	
3,754,419 A	8/1973	Taylor	
3,882,703 A	5/1975	Hermann	
D243,150 S	1/1977	Dykes	
4,107,965 A	8/1978	Miller et al.	
4,218,902 A	8/1980	Druschel	
4,224,813 A	9/1980	Hampton	

4,226,100 A	10/1980	Hampton
4,297,861 A	11/1981	Dykes
4,317,344 A	3/1982	Barnard
4,651,543 A	3/1987	Heald et al.
4,689,975 A	9/1987	Dunphy et al.
4,790,163 A	12/1988	Appelbaum
4,905,486 A	3/1990	Appelbaum
D315,090 S	3/1991	Pedersen
5,033,279 A	7/1991	Lebrecht

(Continued)

**FOREIGN PATENT DOCUMENTS**

GB	2246162	1/1992
JP	02164986	6/1990

*Primary Examiner*—Prabhakar Deshmukh  
*Assistant Examiner*—Derrick Holland  
(74) *Attorney, Agent, or Firm*—Calfee, Halter & Griswold LLP

(57) **CLAIM**

I claim the ornamental design for a lock, as shown and described.

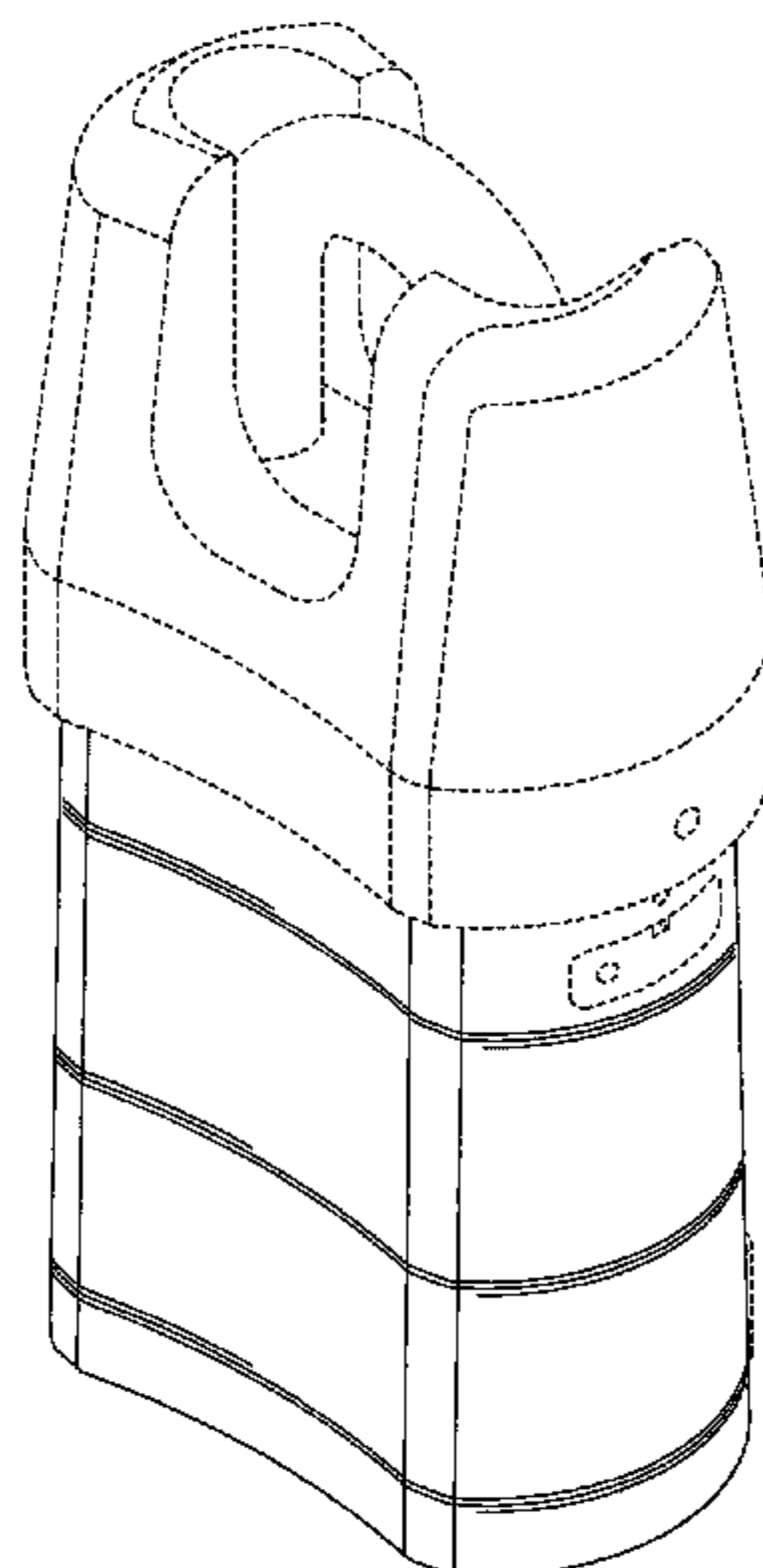
**DESCRIPTION**

FIG. 1 is a front perspective view of a lock showing my new design;  
FIG. 2 is a top plan view thereof;  
FIG. 3 is a front elevation view thereof;  
FIG. 4 is a rear elevation view thereof;  
FIG. 5 is a bottom plan view thereof;  
FIG. 6 is a right side view thereof; and,  
FIG. 7 is a left side view thereof.

The broken lines, which define the bounds of the claimed design, form no part thereof.

The broken lines shown represent unclaimed subject matter and form no part of the claimed design.

**1 Claim, 4 Drawing Sheets**



# US D595,563 S

Page 2

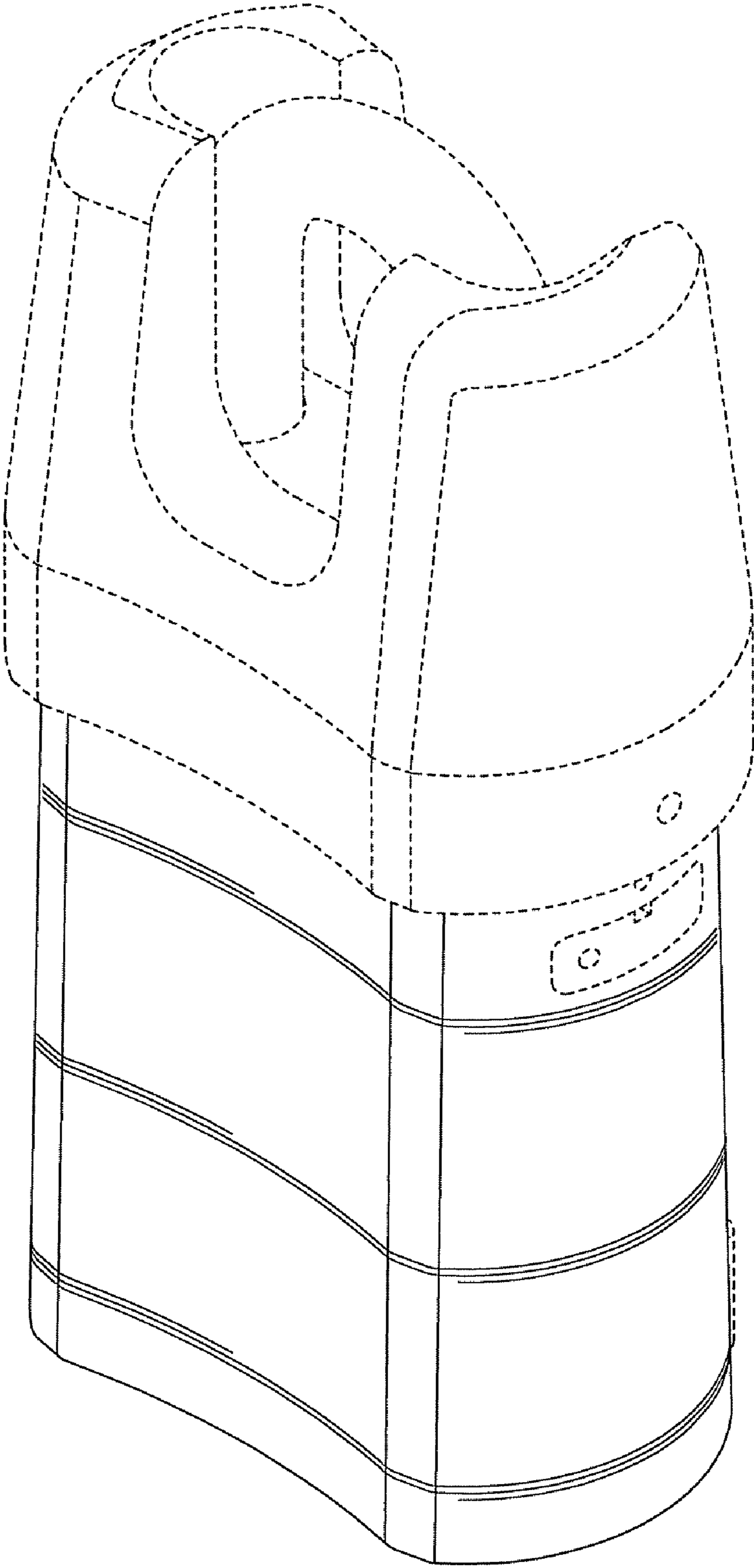
## U.S. PATENT DOCUMENTS

5,156,029 A 10/1992 Heald  
D342,010 S 12/1993 Lebrecht  
D353,089 S 12/1994 Kahonen  
5,587,702 A 12/1996 Chadfield  
5,638,707 A 6/1997 Gould  
5,761,935 A 6/1998 Adelmeyer  
D400,078 S 10/1998 Adelmeyer  
D402,878 S 12/1998 Liu  
D406,043 S 2/1999 LeClaire  
D408,262 S 4/1999 Liu  
D411,730 S \* 6/1999 Matyko ..... D8/334  
5,946,957 A 9/1999 Yamamoto  
D423,324 S 4/2000 Liu  
6,047,575 A \* 4/2000 Larson et al. .... 70/278.1  
D423,908 S 5/2000 Liu  
D425,398 S 5/2000 Fiegenger et al.  
D429,993 S 8/2000 Liu

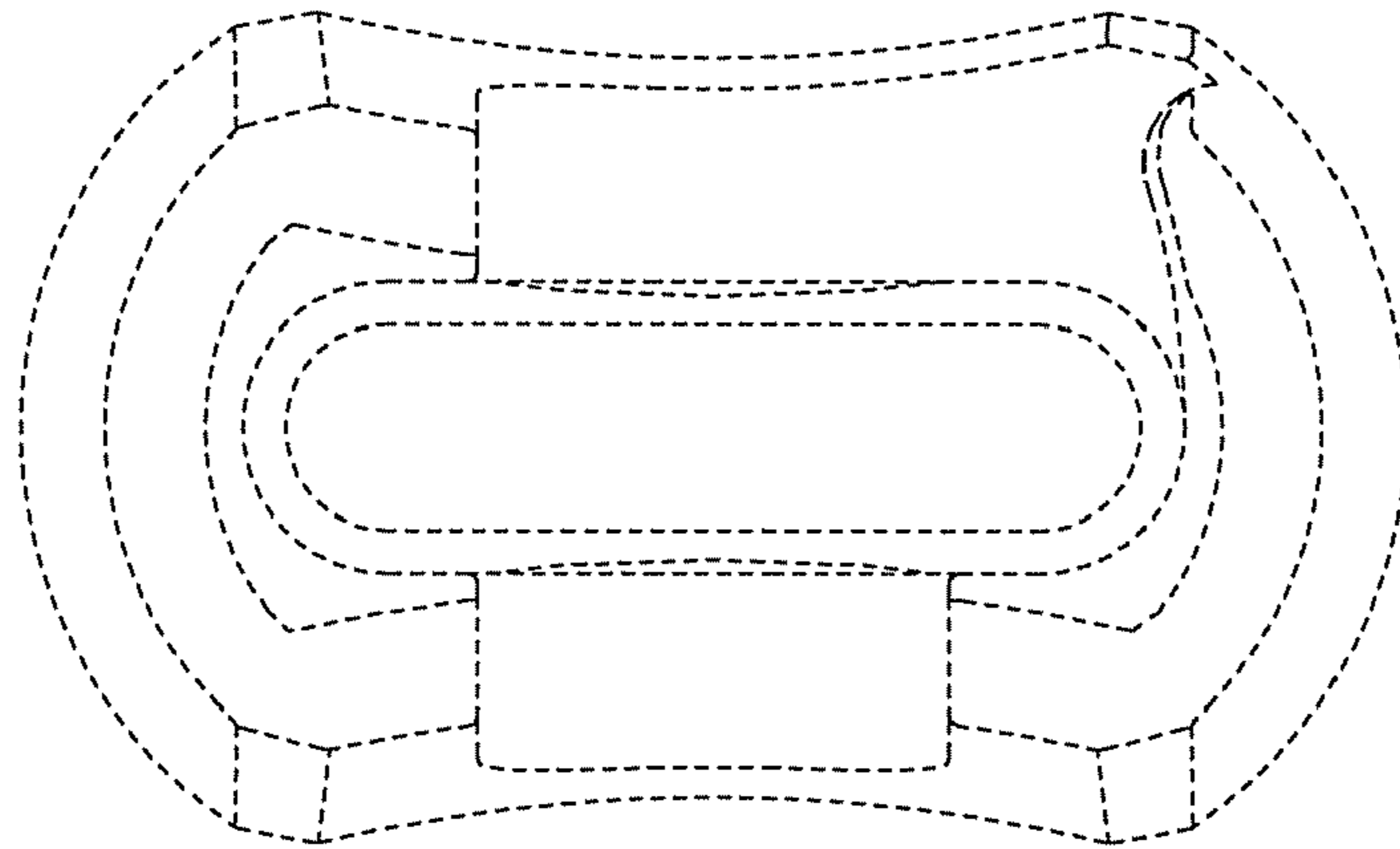
## U.S. PATENT DOCUMENTS

D432,391 S 10/2000 Heppner  
D432,393 S 10/2000 Gast  
D435,428 S 12/2000 Ling  
D449,510 S 10/2001 Liu  
D450,560 S 11/2001 Yu  
6,397,647 B1 6/2002 Kuo  
D472,129 S \* 3/2003 Hill et al. .... D8/333  
6,813,914 B2 11/2004 Chen  
D517,396 S \* 3/2006 Tarter et al. .... D8/334  
D537,704 S 3/2007 Van Handel  
D577,279 S 9/2008 Rohde et al.  
2004/0055342 A1 3/2004 Chen

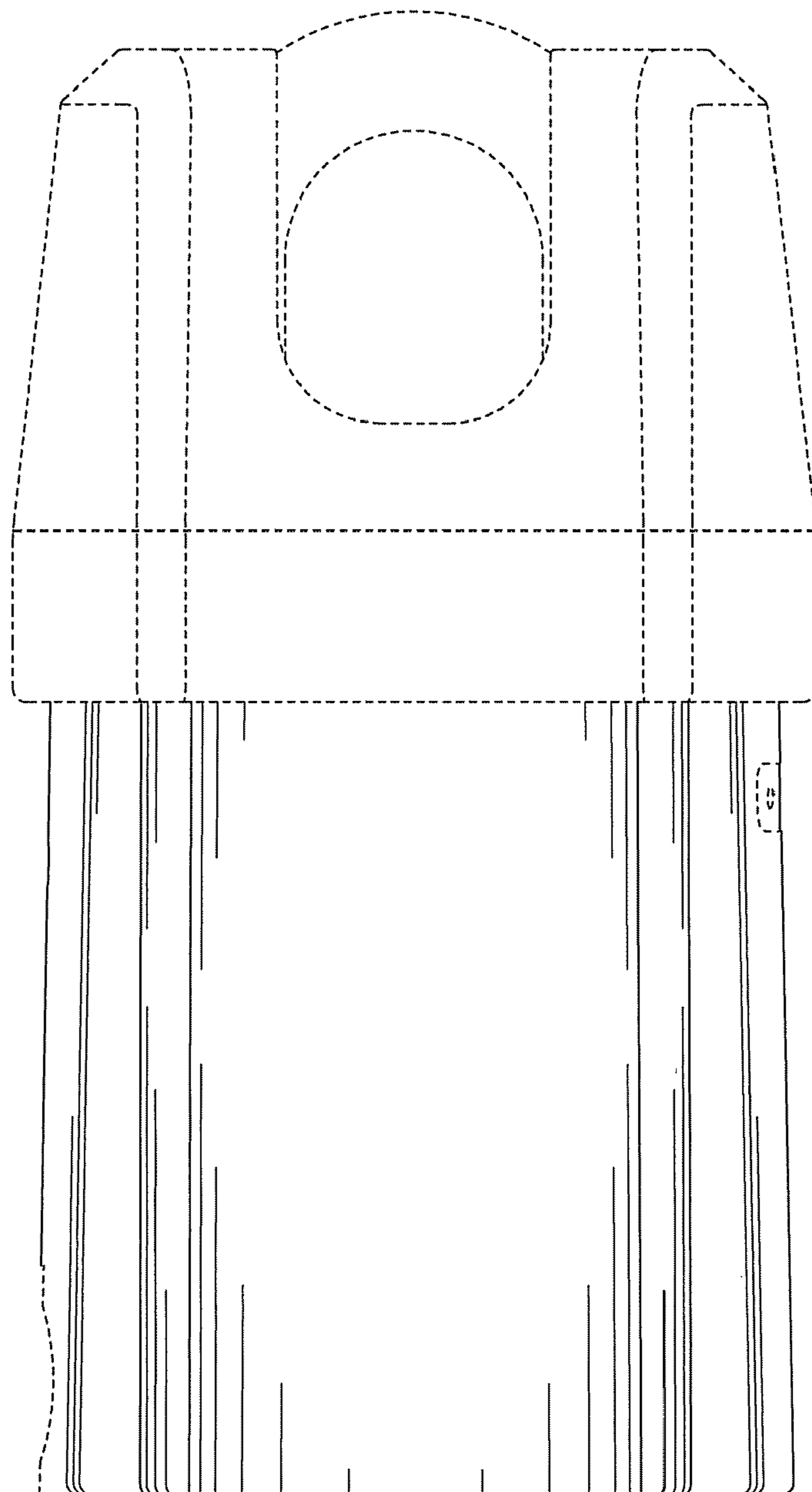
\* cited by examiner



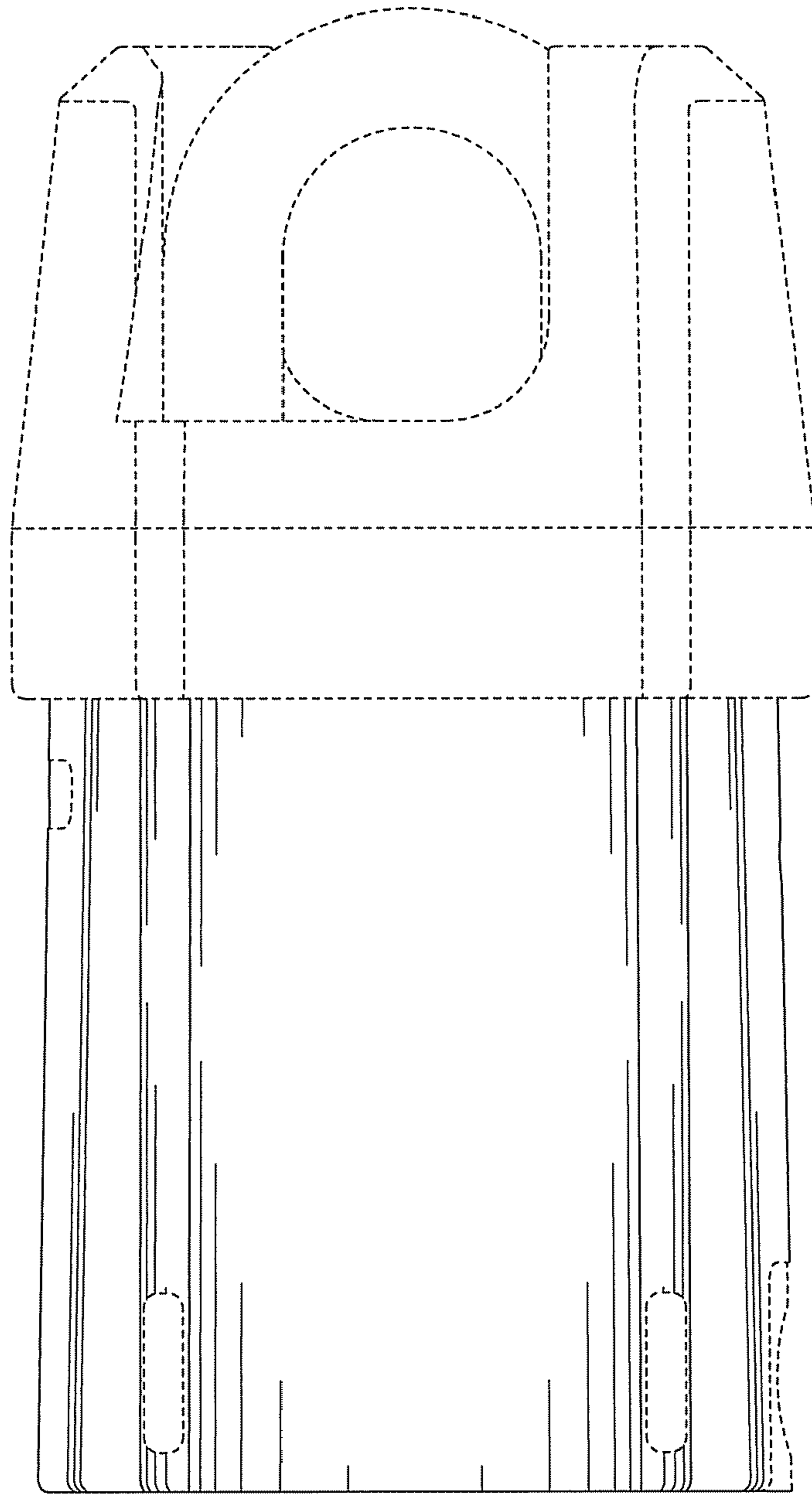
**FIG. 1**



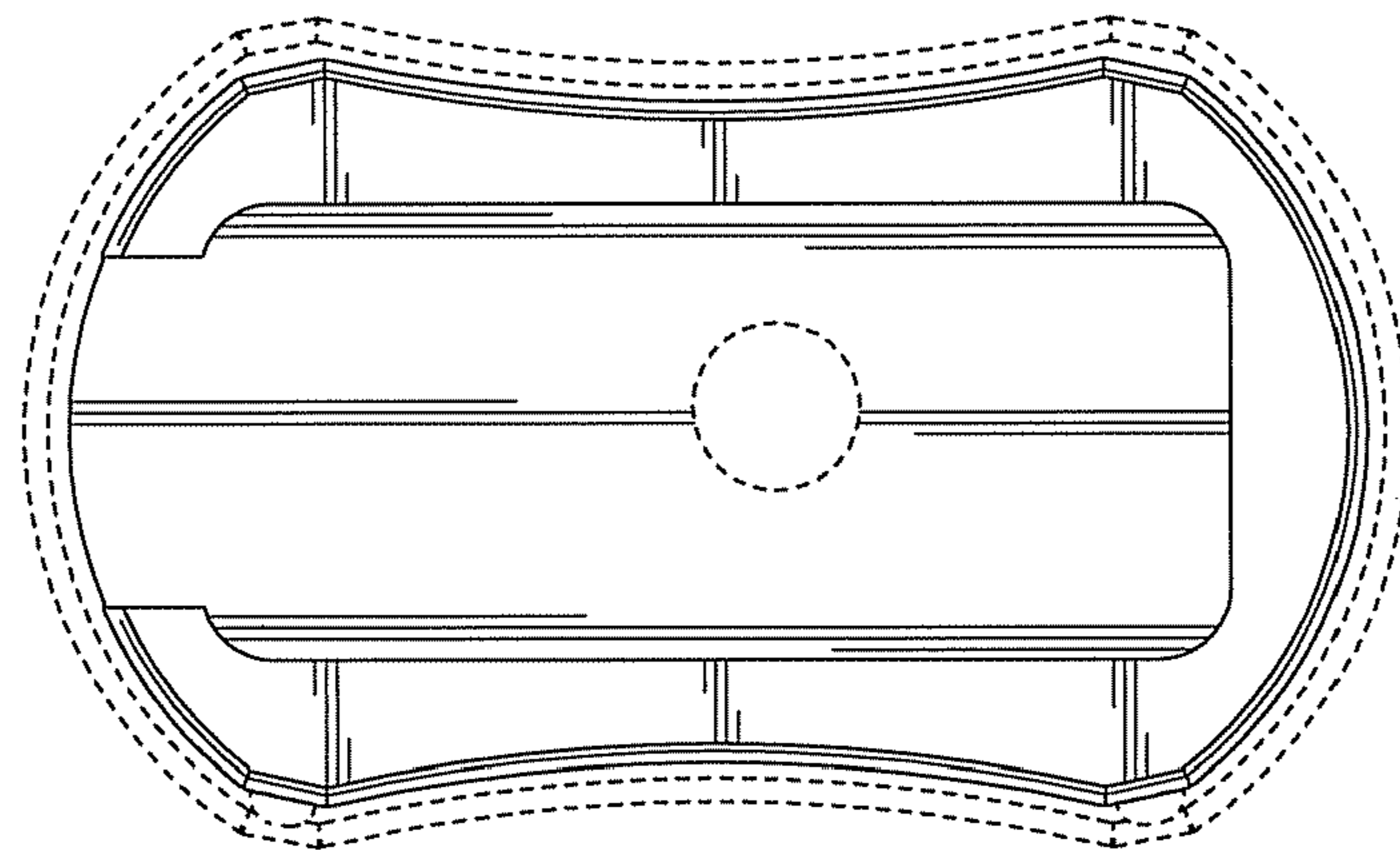
**FIG. 2**



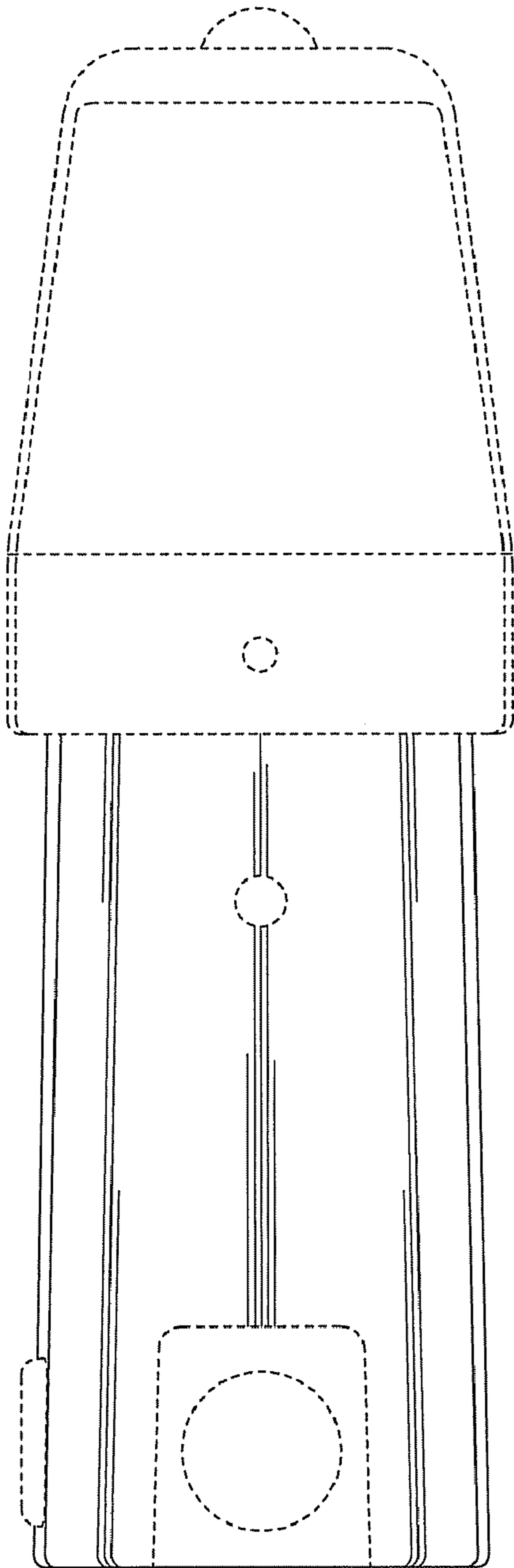
**FIG. 3**



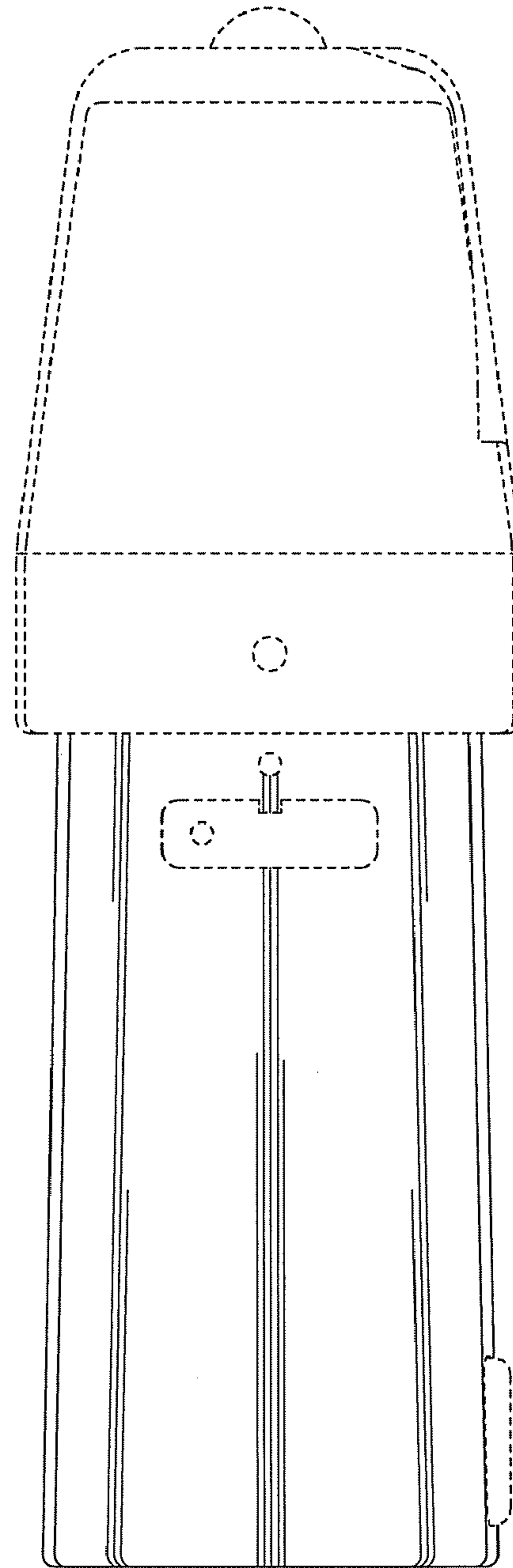
**FIG. 4**



**FIG. 5**



**FIG. 6**



**FIG. 7**