

US00D595562S

(12) **United States Design Patent**
Jones et al.

(10) **Patent No.:** **US D595,562 S**
(45) **Date of Patent:** **** Jul. 7, 2009**

(54) **WINDOW TILT LATCH**
(75) Inventors: **Sherry L. Jones**, Pataskala, OH (US);
Brian Dallmann, Owatonna, MN (US)
(73) Assignee: **Truth Hardware Corporation**,
Owatonna, MN (US)
(**) Term: **14 Years**

D416,468 S 11/1999 Schultz
D416,780 S 11/1999 Schultz
6,021,603 A 2/2000 Prete et al.
D424,405 S * 5/2000 Schlack et al. D8/331
D425,396 S * 5/2000 Schlack et al. D8/331
6,145,352 A * 11/2000 Vickers et al. 70/208
6,155,615 A 12/2000 Schultz
6,183,024 B1 2/2001 Schultz et al.
D442,847 S 5/2001 Schultz et al.
D442,848 S 5/2001 Schultz et al.

(21) Appl. No.: **29/323,327**

(Continued)

(22) Filed: **Aug. 22, 2008**

Primary Examiner—Prabhakar Deshmukh
(74) *Attorney, Agent, or Firm*—Patterson, Thunte, Skaar &
Christensen, PA

(51) **LOC (9) Cl.** **08-07**
(52) **U.S. Cl.** **D8/331**
(58) **Field of Classification Search** D8/330,
D8/331, 301, 302, 306, 308, 341, 342–346,
D8/349; 70/208, 369, 371, 421; 292/336.3,
292/DIG. 30, DIG. 31; 49/149, 159, 161,
49/175, 176

(57) **CLAIM**

The ornamental design for a window tilt latch, as shown and described.

See application file for complete search history.

DESCRIPTION

FIG. 1 is a perspective view of a window tilt latch showing our new design, shown in its environmental use;

(56) **References Cited**

U.S. PATENT DOCUMENTS

3,743,336 A * 7/1973 Andrews 292/173
4,475,311 A * 10/1984 Gibson 49/176
4,553,353 A * 11/1985 Simpson 49/161
4,640,048 A * 2/1987 Winner et al. 49/181
4,791,756 A * 12/1988 Simpson 49/175
4,901,475 A * 2/1990 Simpson 49/175
5,139,291 A 8/1992 Schultz
5,301,989 A 4/1994 Dallmann et al.
5,609,373 A * 3/1997 Gromotka 292/229
5,618,067 A 4/1997 Carlson et al.
D380,370 S * 7/1997 Carlson et al. D8/343
D396,397 S * 7/1998 Swan D8/331
D411,094 S 6/1999 Schultz
D411,095 S 6/1999 Schultz
D411,797 S 7/1999 Schultz
D414,674 S 10/1999 Schultz
D415,671 S 10/1999 Schultz

FIG. 2 is a top plan view of the window tilt latch depicted in FIG. 1;

FIG. 3 is a bottom plan view of the window tilt latch depicted in FIG. 1;

FIG. 4 is a side elevation view of the window tilt latch depicted in FIG. 1;

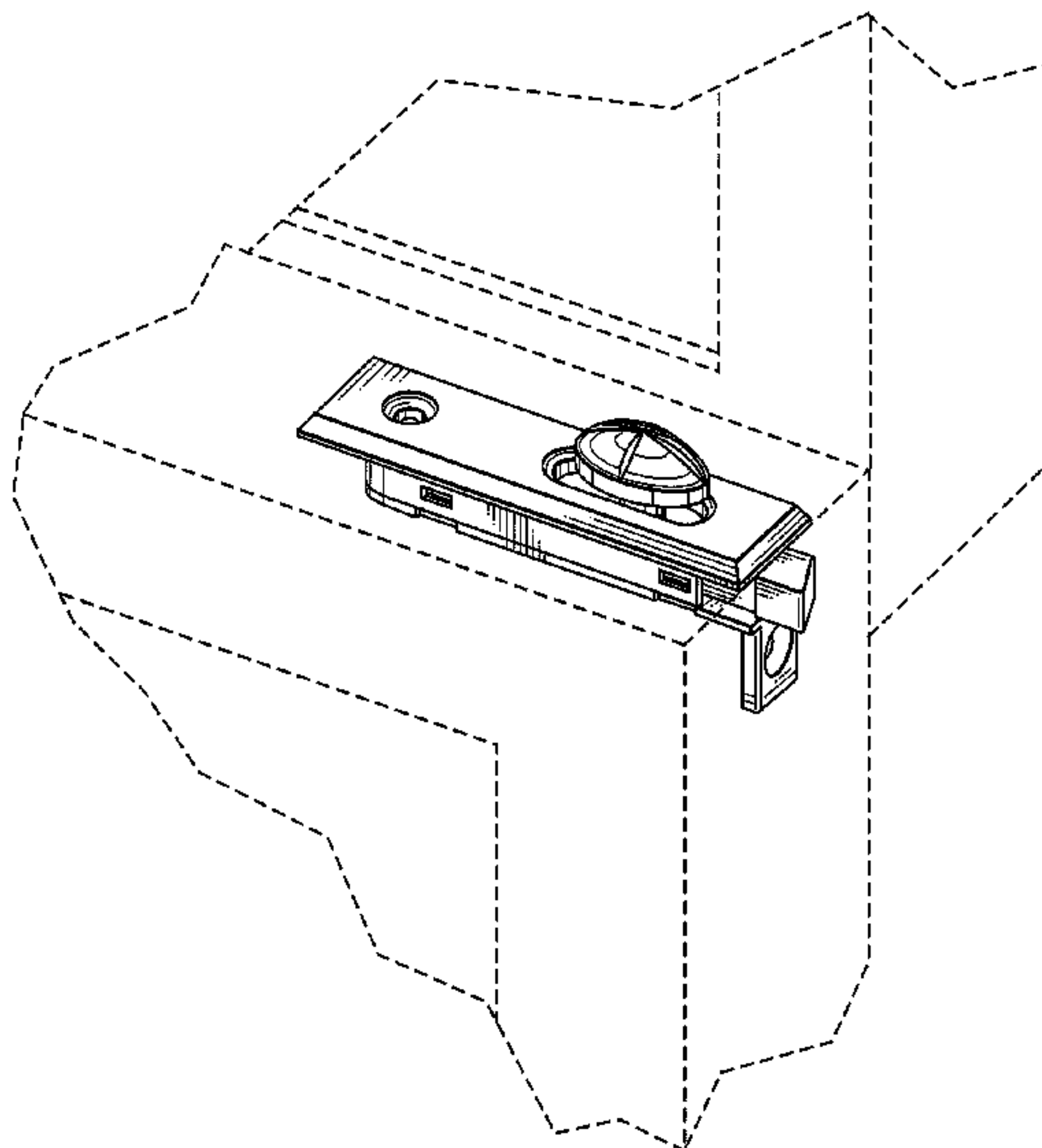
FIG. 5 is an opposing side elevation view of the window tilt latch depicted in FIG. 1;

FIG. 6 is an end elevation view of the window tilt latch depicted in FIG. 1; and,

FIG. 7 is an opposing end elevation view of the window tilt latch depicted in FIG. 1.

The broken lines are included for the purpose of illustration and form no part of the claimed design.

1 Claim, 3 Drawing Sheets



US D595,562 S

Page 2

U.S. PATENT DOCUMENTS

D444,373 S	7/2001	Schultz et al.	7,222,458 B2	5/2007	Polowinczak et al.
D456,688 S	5/2002	Polowinczak et al.	D554,473 S	11/2007	Flory
D465,401 S	11/2002	Polowinczak	7,322,619 B2	1/2008	Nolte et al.
6,485,070 B1	11/2002	Schultz	D570,669 S *	6/2008	Le et al. D8/331
6,718,693 B2	4/2004	Gleason	7,415,797 B2	8/2008	Dotson et al.
6,722,712 B2	4/2004	Schultz	2005/0156434 A1	7/2005	Polowinczak et al.
6,874,826 B1	4/2005	Polowinczak et al.	2006/0254143 A1	11/2006	Pettit et al.
6,877,784 B2	4/2005	Kelley et al.	2007/0029810 A1	2/2007	Nolte et al.
6,948,278 B1	9/2005	Schultz	2007/0056217 A1	3/2007	Silverman
D514,426 S	2/2006	Eenigenburg	2007/0137109 A1	6/2007	Tremble et al.
D520,341 S	5/2006	Eenigenburg	2008/0022728 A1	1/2008	Flory et al.
7,171,784 B2	2/2007	Eenigenburg	2008/0163551 A1	7/2008	Nolte et al.

* cited by examiner

Fig. 1

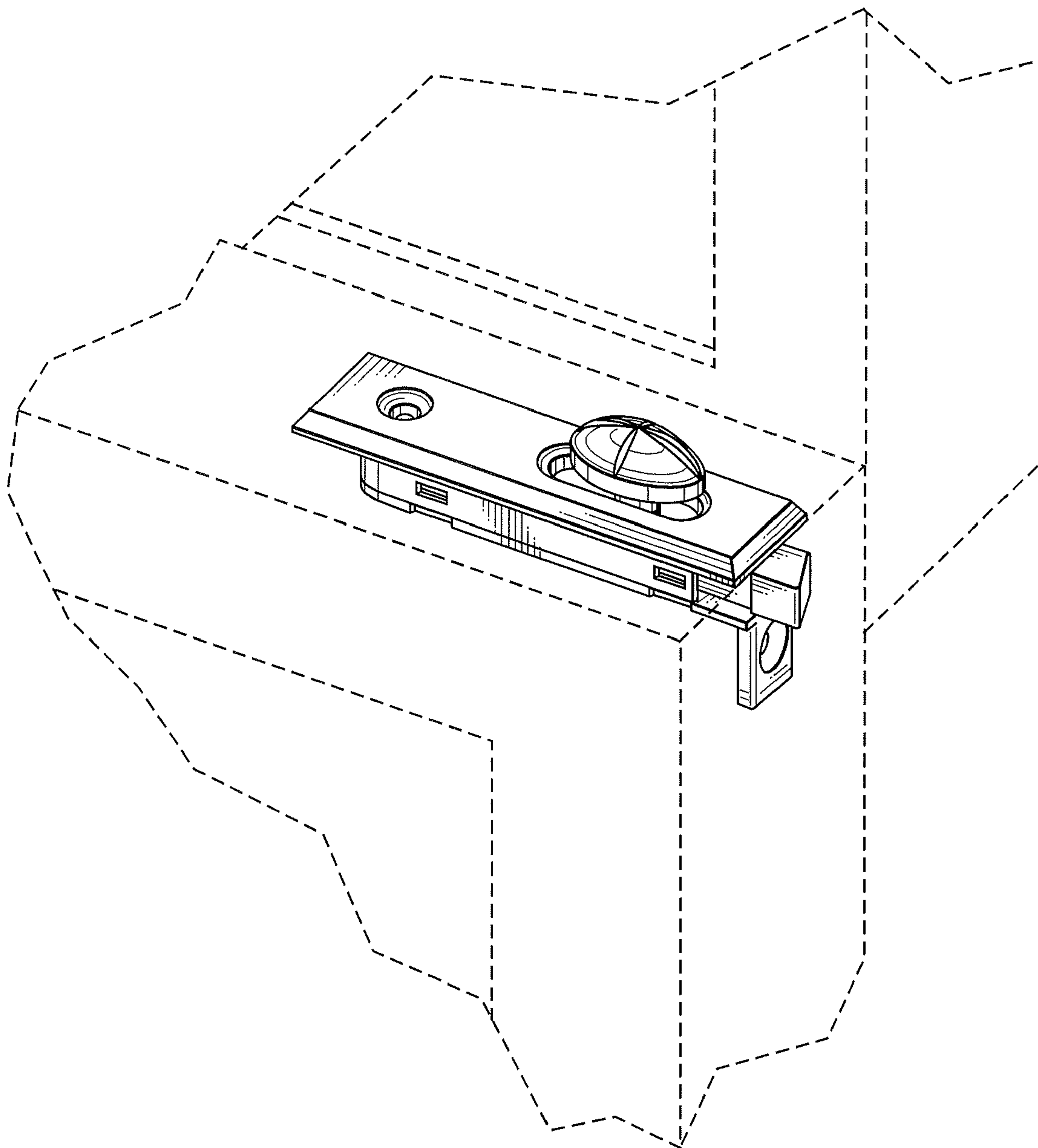


Fig. 2

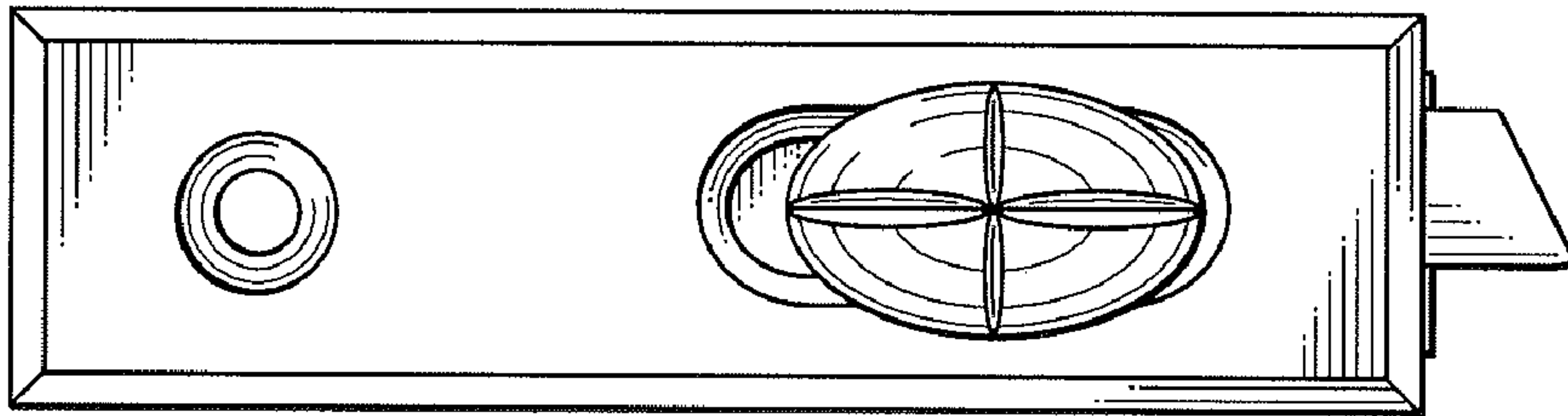


Fig. 3

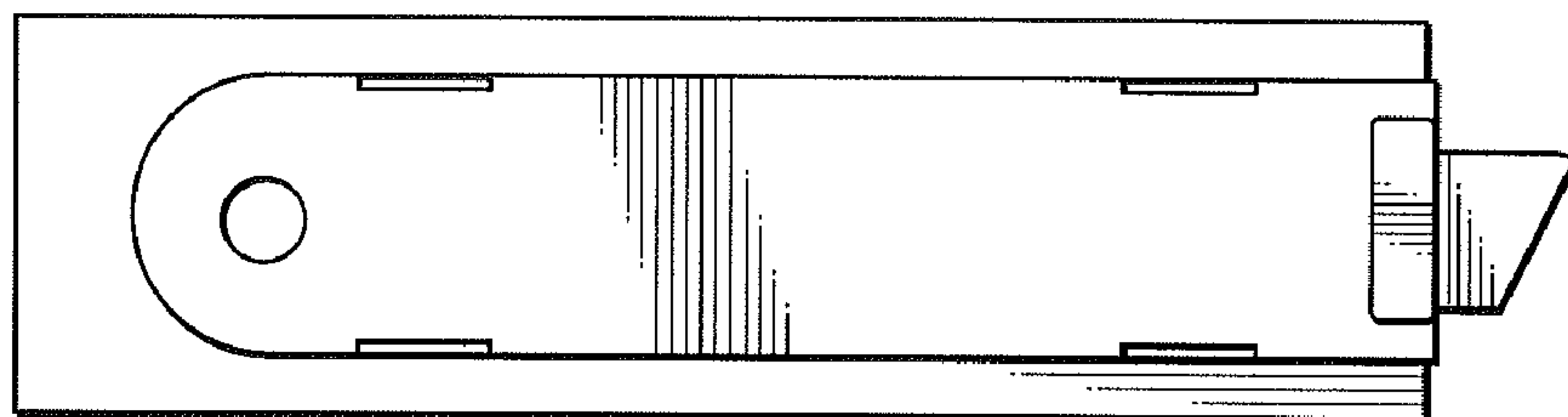


Fig. 4

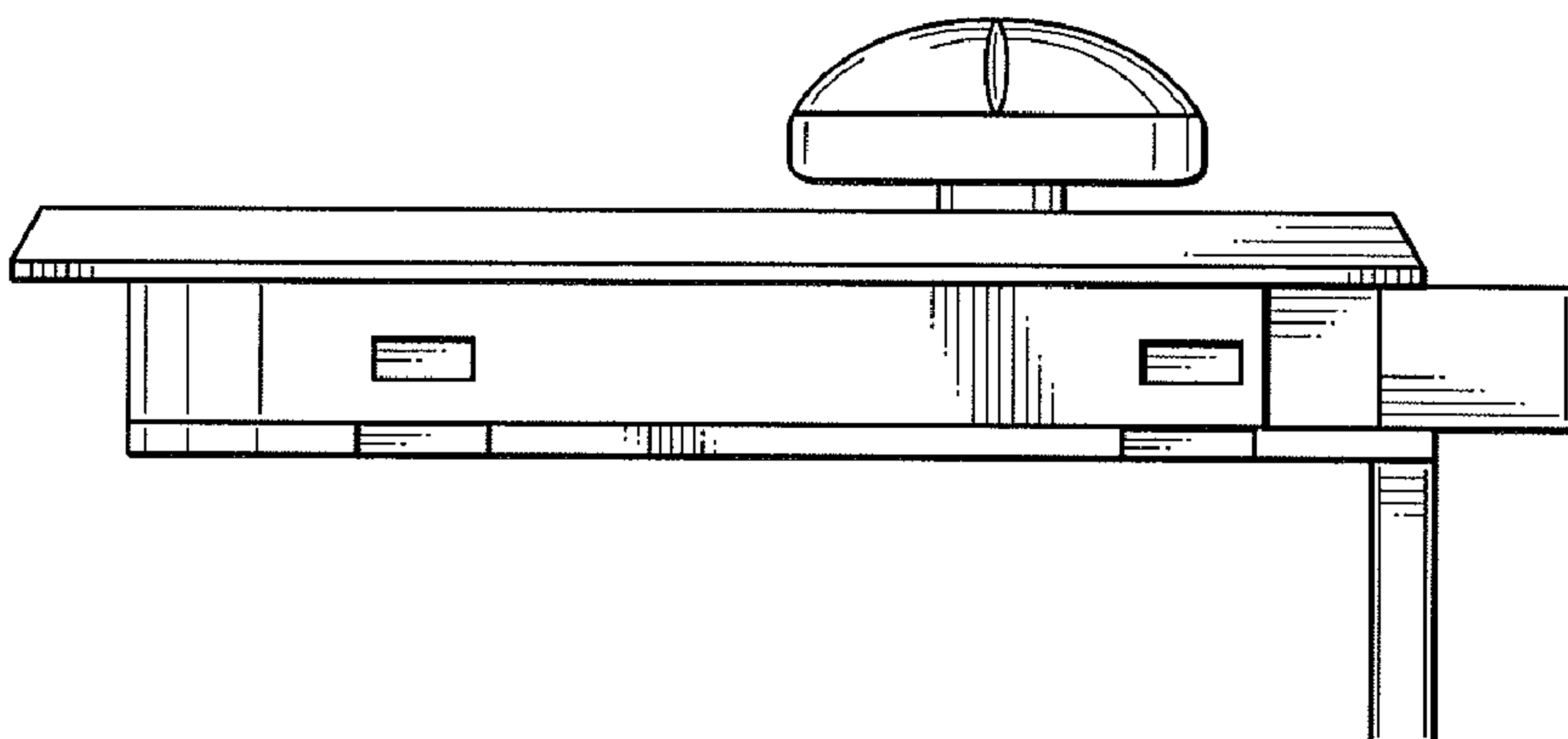


Fig. 5

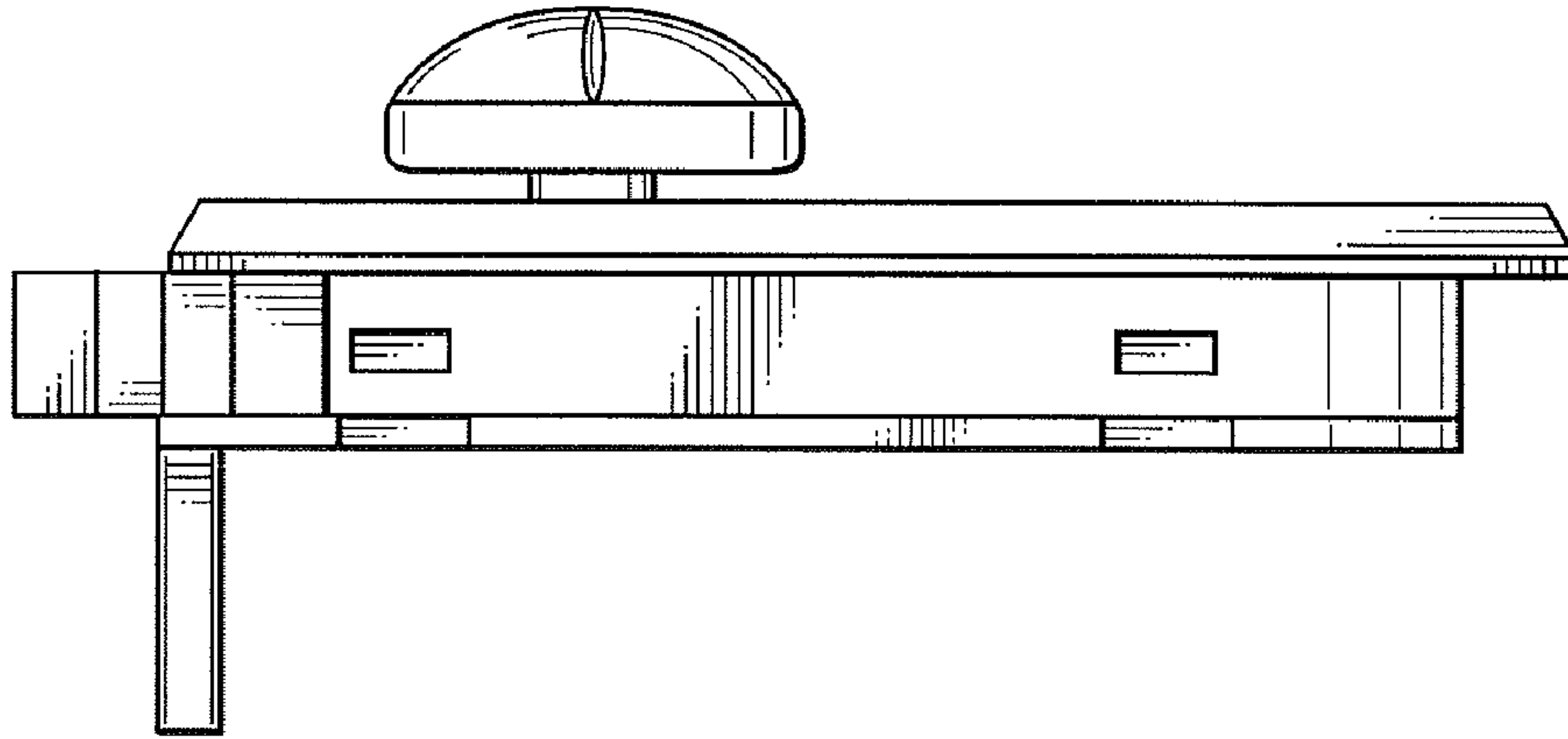


Fig. 6

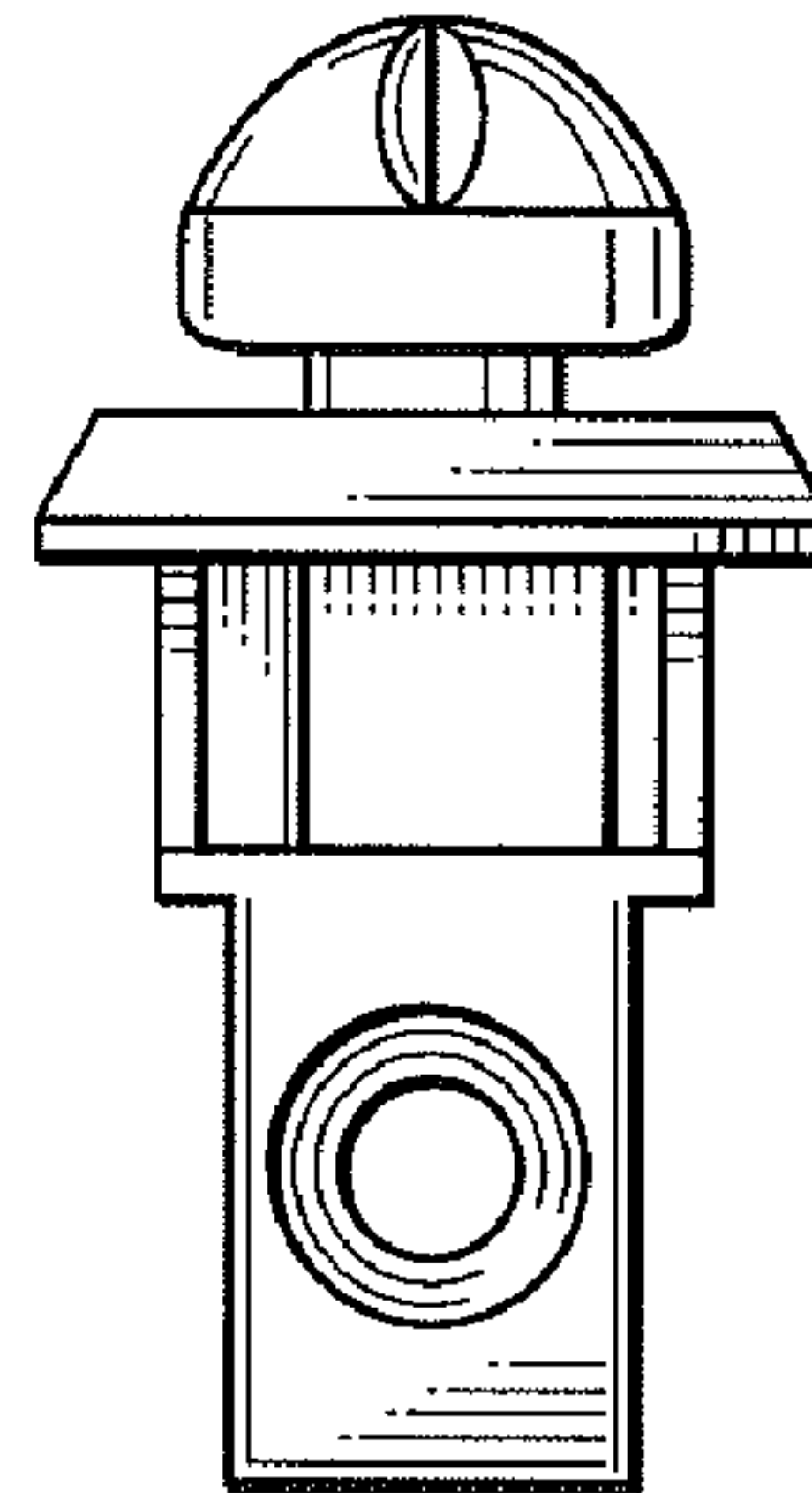


Fig. 7

