

US00D595561S

(12) **United States Design Patent**
Simpson

(10) **Patent No.:** **US D595,561 S**

(45) **Date of Patent:** **** Jul. 7, 2009**

(54) **SHACKLE**

(75) Inventor: **Martin Charles Simpson**, Glenella (AU)

(73) Assignee: **CQM Pty. Ltd.**, Mackay, Queensland (AU)

(**) Term: **14 Years**

(21) Appl. No.: **29/322,665**

(22) Filed: **Aug. 8, 2008**

(51) **LOC (9) Cl.** **08-07**

(52) **U.S. Cl.** **D8/330; D8/343**

(58) **Field of Classification Search** D8/330, D8/331, 336, 339, 343, 344; 70/207, 209, 70/210, 225, 226, 227, 233, 234, 237, 252, 70/431, 446, 51-54

See application file for complete search history.

(56) **References Cited**

U.S. PATENT DOCUMENTS

- 4,060,978 A * 12/1977 McBain et al. 59/78
- 4,134,258 A * 1/1979 Hobo et al. 60/790
- 4,676,080 A * 6/1987 Schwarz 70/59
- 5,904,112 A * 5/1999 Tylaska et al. 114/108
- 6,701,737 B2 * 3/2004 Ohama et al. 62/262

- D490,688 S * 6/2004 Vito D8/343
- D491,043 S * 6/2004 Vito D8/343
- D494,042 S * 8/2004 Wright D8/354
- 6,829,915 B1 * 12/2004 Li 70/18
- 7,134,268 B2 * 11/2006 Siappas 59/86
- D548,045 S * 8/2007 Heppner D8/343
- D587,094 S * 2/2009 Fonk et al. D8/330

* cited by examiner

Primary Examiner—Prabhakar Deshmukh

(74) *Attorney, Agent, or Firm*—Wong, Cabello, Lutsch, Rutherford & Brucculeri, L.L.P.

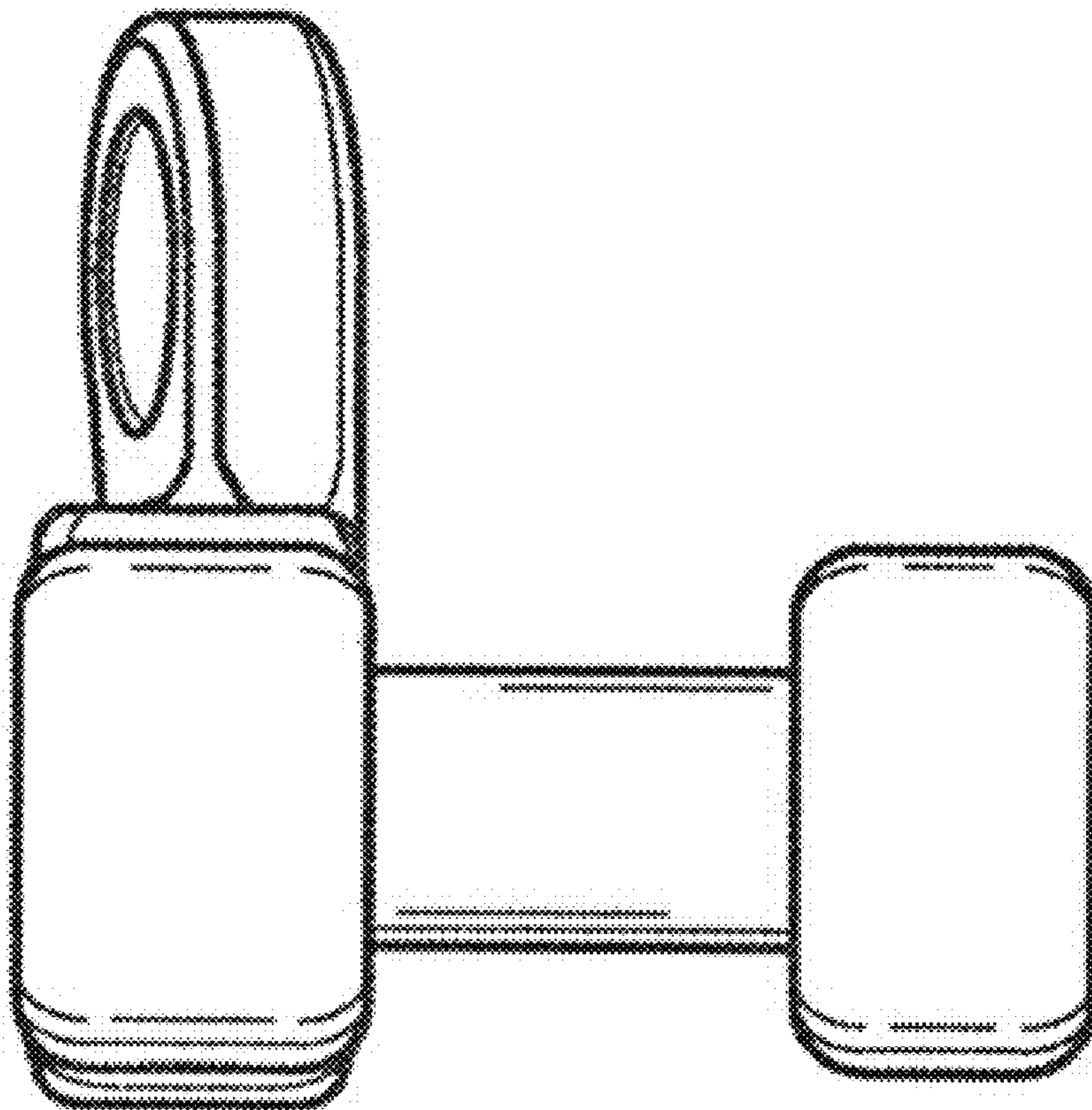
(57) **CLAIM**

The ornamental design for a shackle, as shown and described.

DESCRIPTION

FIG. 1 is a front view of a shackle showing my new design;
 FIG. 2 is a left side view thereof;
 FIG. 3 is a top view thereof;
 FIG. 4 is a rear view thereof;
 FIG. 5 is a right side view thereof;
 FIG. 6 is a bottom view thereof; and,
 FIG. 7 is a perspective view thereof.

1 Claim, 1 Drawing Sheet



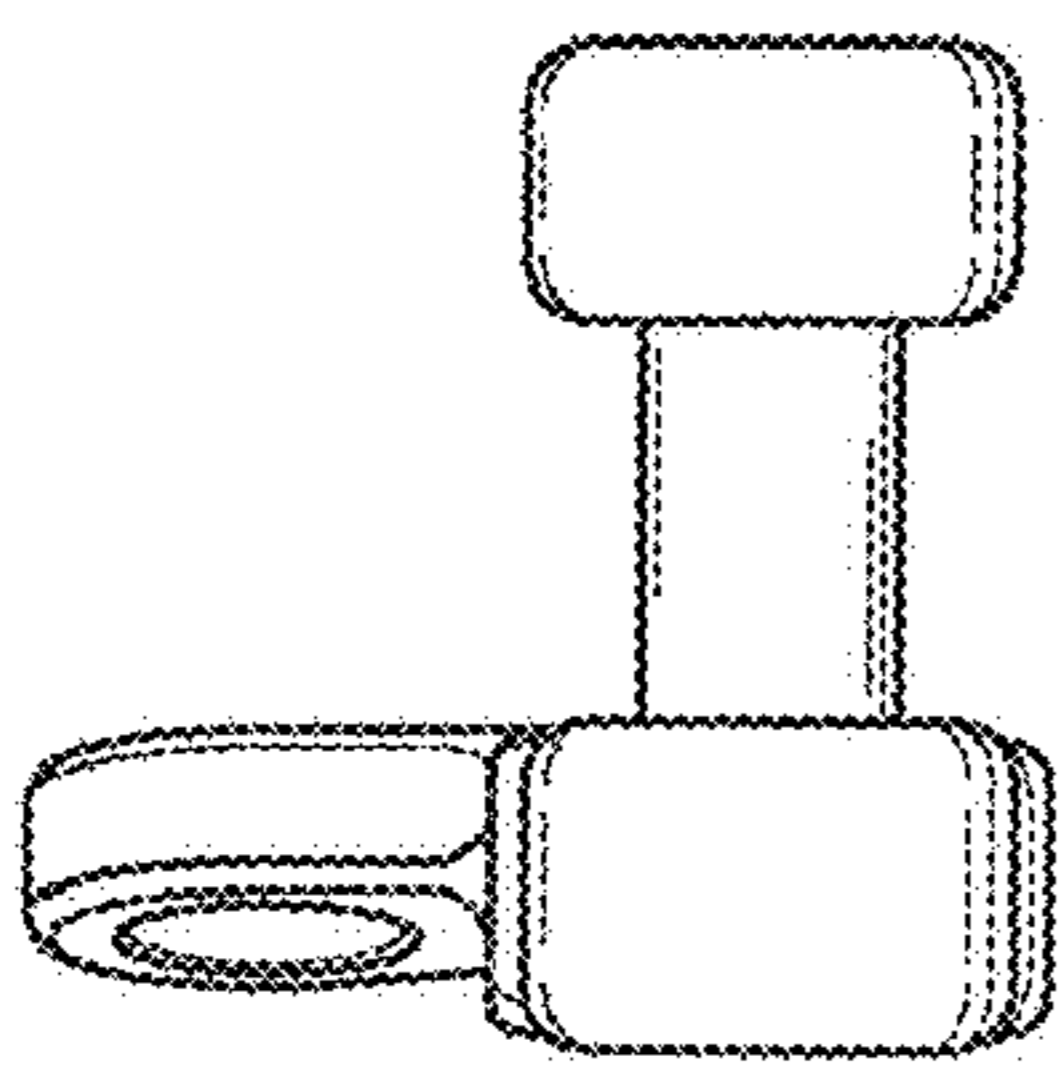


FIG. 1

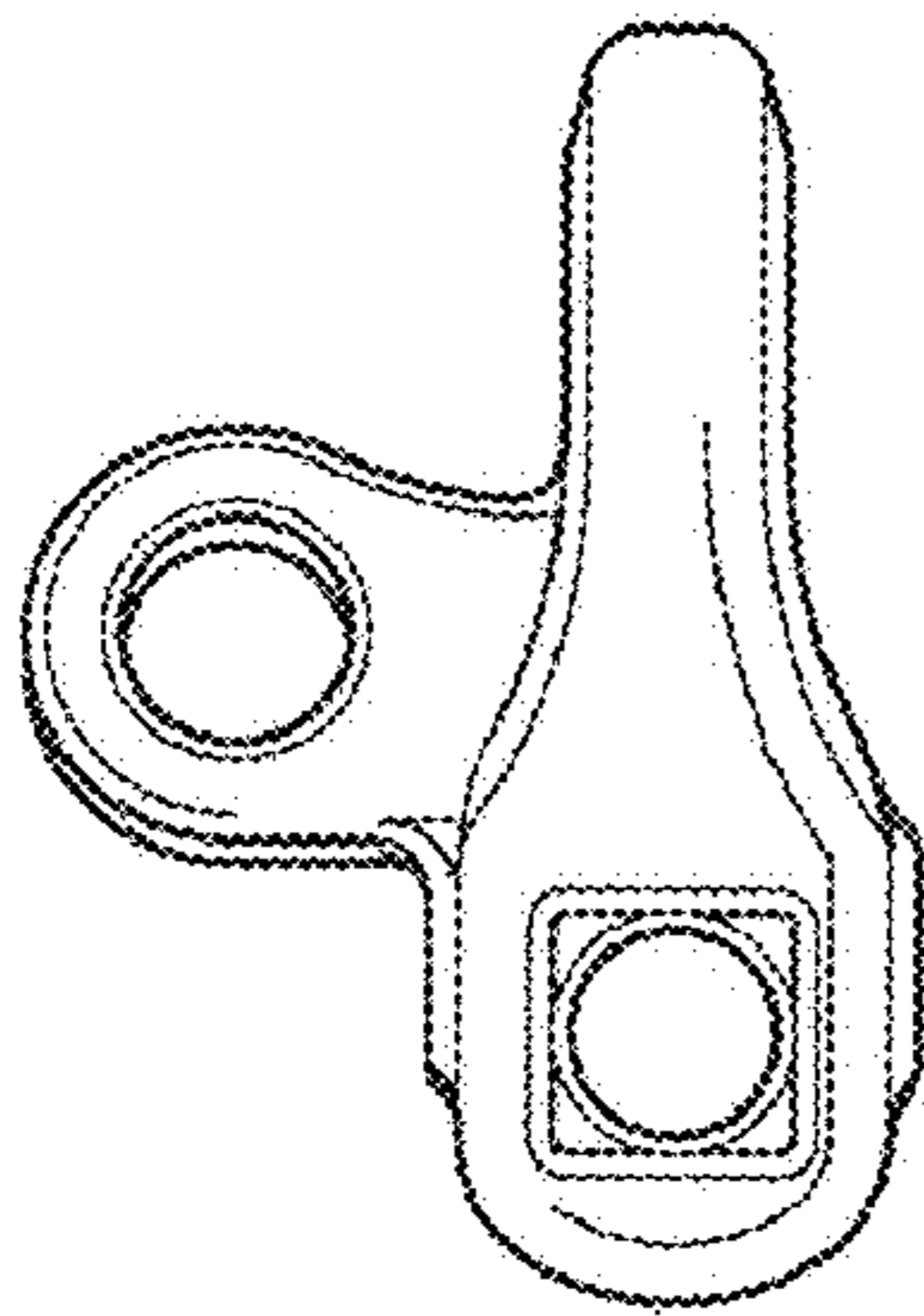


FIG. 2

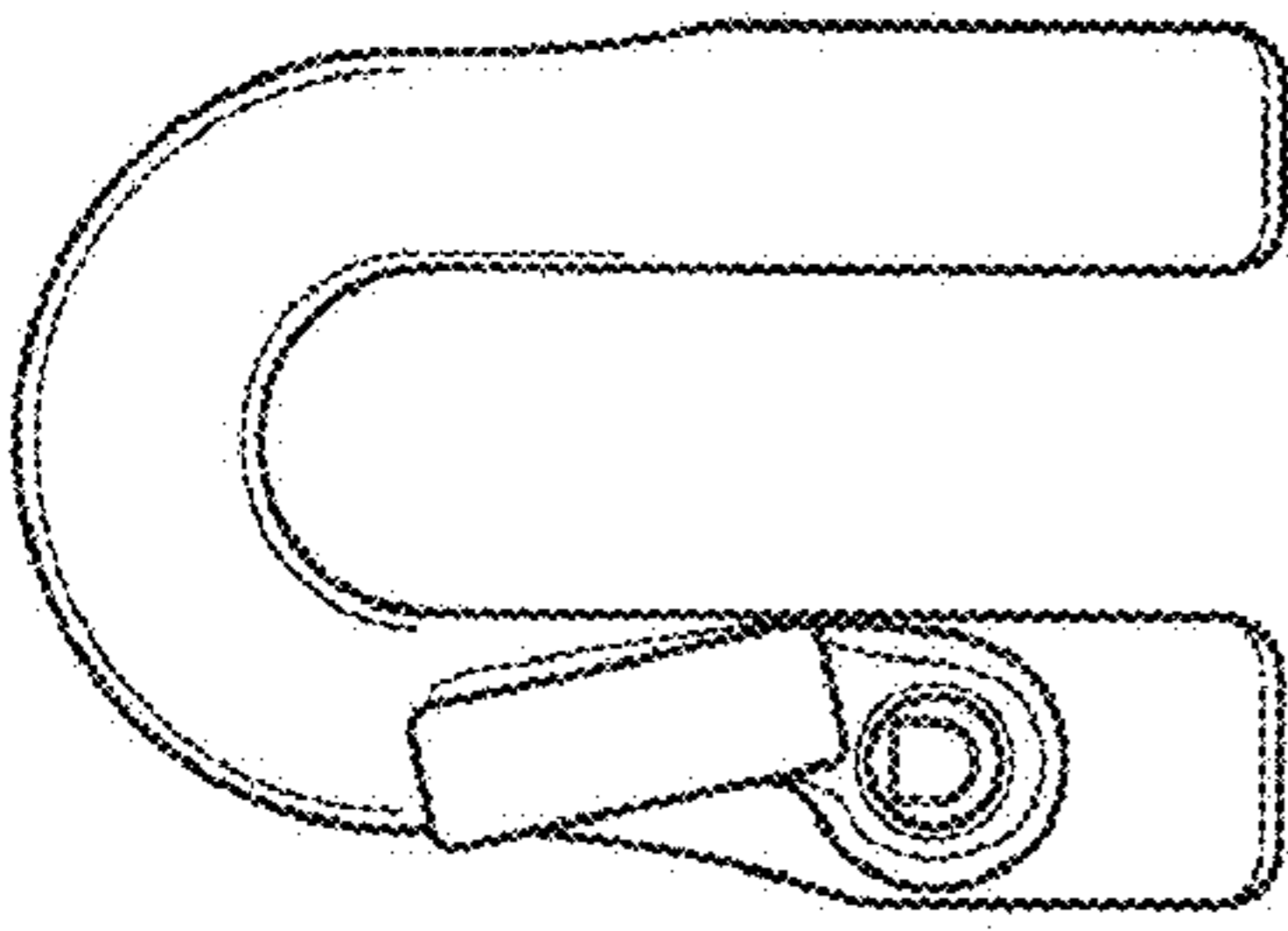


FIG. 3

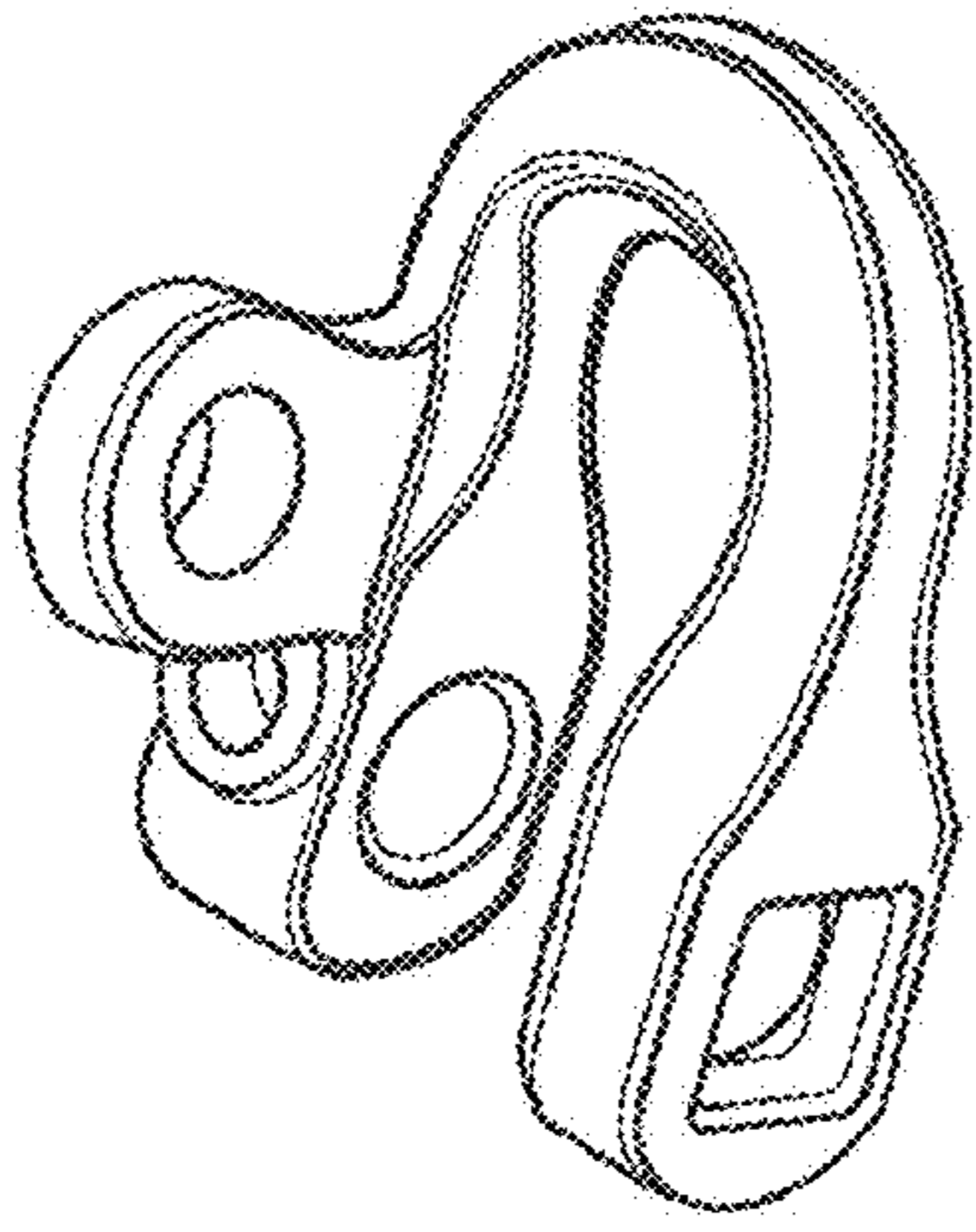


FIG. 4

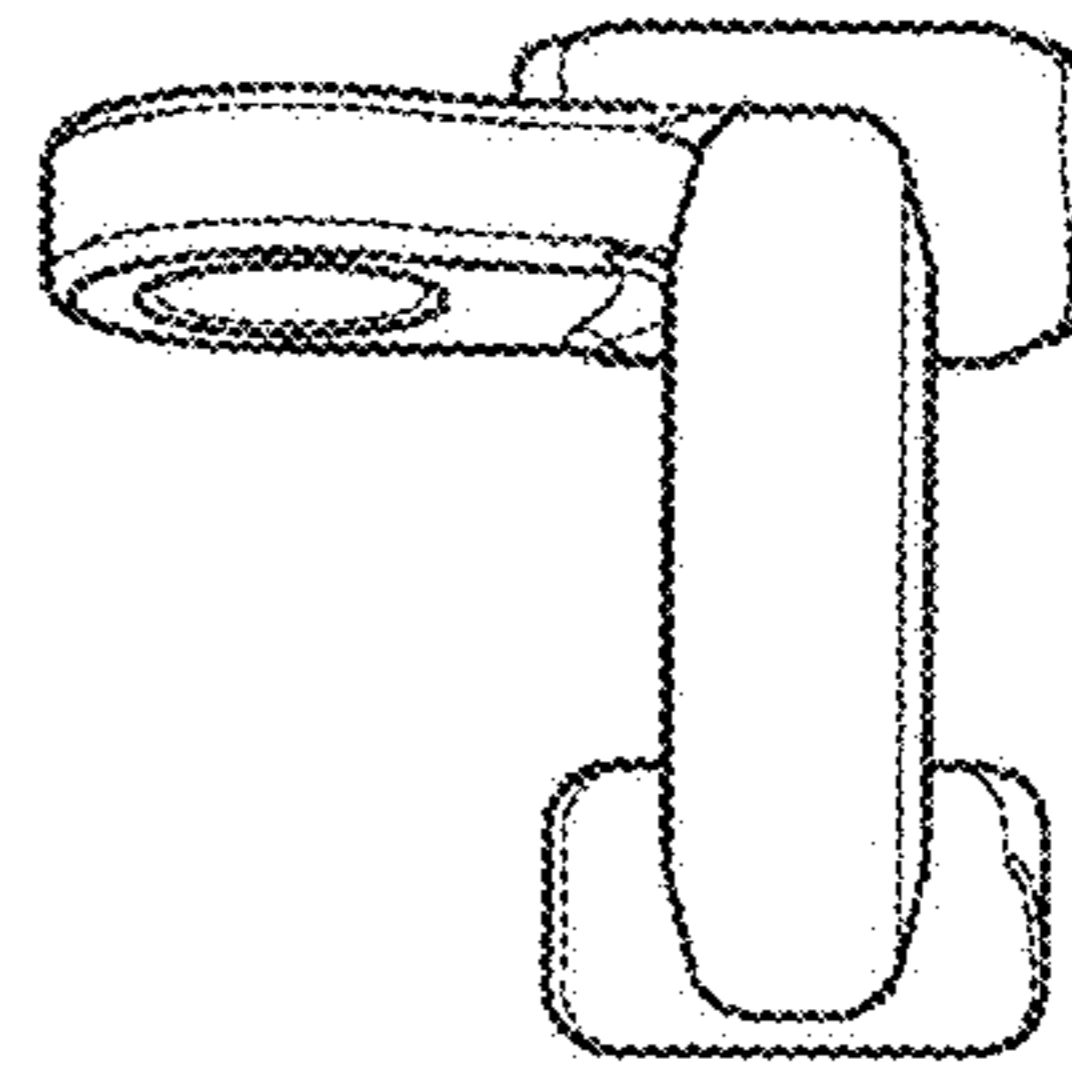


FIG. 5

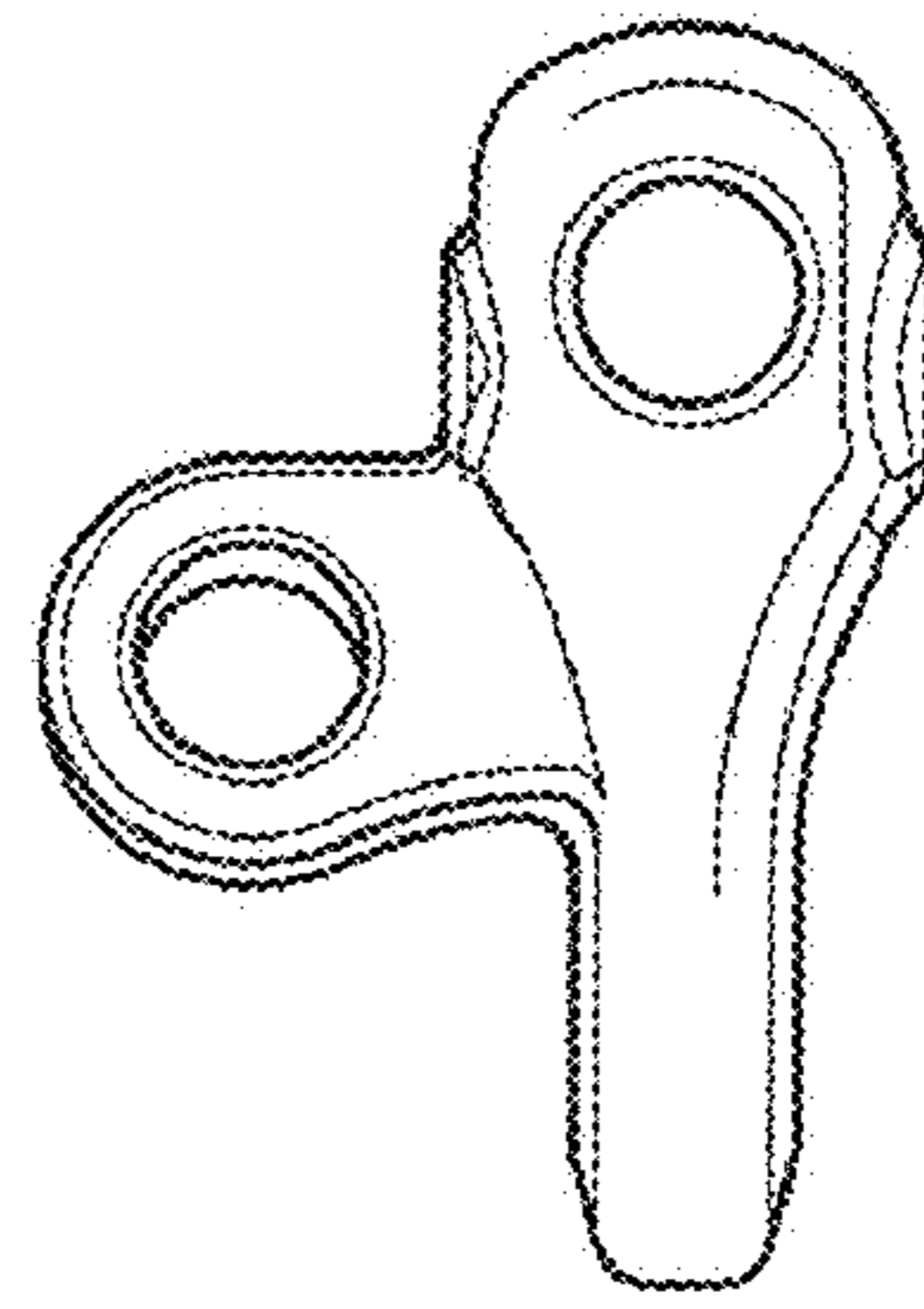


FIG. 6

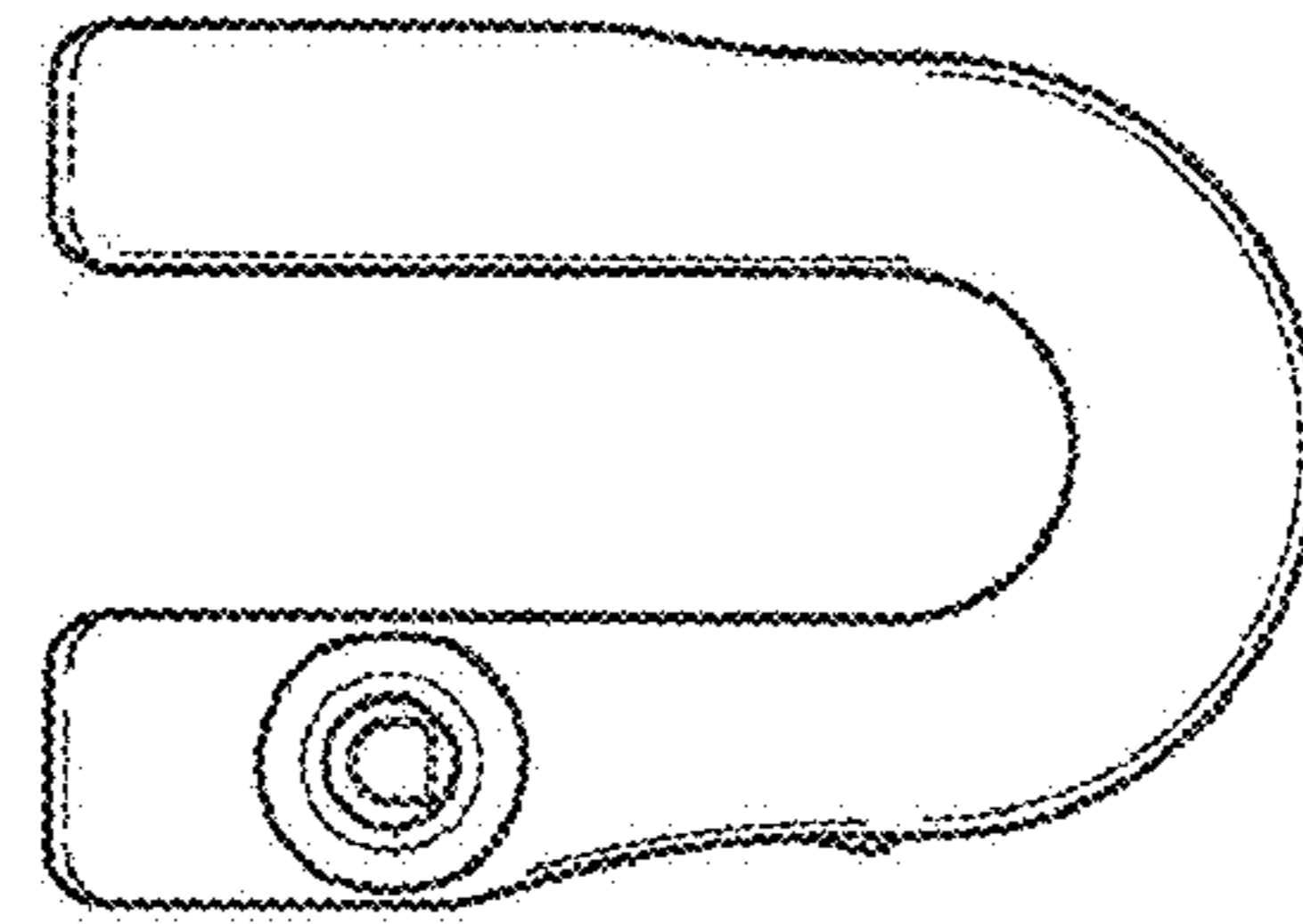


FIG. 7

UNITED STATES PATENT AND TRADEMARK OFFICE
CERTIFICATE OF CORRECTION

PATENT NO. : Des. 595,561 S
APPLICATION NO. : 29/322665
DATED : July 7, 2009
INVENTOR(S) : Martin Charles Simpson

Page 1 of 1

It is certified that error appears in the above-identified patent and that said Letters Patent is hereby corrected as shown below:

On the Title Page, Item (73):

Correct Assignee information from - "CQM Pty. Ltd." to --CQMS Pty Ltd--

Signed and Sealed this

Twenty-seventh Day of October, 2009



David J. Kappos
Director of the United States Patent and Trademark Office

UNITED STATES PATENT AND TRADEMARK OFFICE
CERTIFICATE OF CORRECTION

PATENT NO. : D595,561 S
APPLICATION NO. : 29/322665
DATED : July 7, 2009
INVENTOR(S) : Martin Charles Simpson

Page 1 of 1

It is certified that error appears in the above-identified patent and that said Letters Patent is hereby corrected as shown below:

On the Title Page insert item (30):

--Foreign Application Priority Data
February 8, 2008 (AU) 10565/2008--

Signed and Sealed this
Twentieth Day of March, 2012



David J. Kappos
Director of the United States Patent and Trademark Office