



US00D595559S

(12) **United States Design Patent**
Banjo et al.

(10) **Patent No.:** **US D595,559 S**

(45) **Date of Patent:** **** Jul. 7, 2009**

(54) **SPINNER KNOB**

(75) Inventors: **Daniel Brian Banjo**, Boulder, CO (US);
Jonathan Harrach-Salazar, Erie, CO
(US); **Steve VanderBurgh**, Golden, CO
(US)

(73) Assignee: **Special Products Co.**, Golden, CO (US)

(**) Term: **14 Years**

(21) Appl. No.: **29/324,563**

(22) Filed: **Sep. 15, 2008**

(51) **LOC (9) Cl.** **08-06**

(52) **U.S. Cl.** **D8/312; D8/300; D12/179**

(58) **Field of Classification Search** D8/312,
D8/300-303; D12/179; 74/471 XY, 473.35,
74/489, 523, 543, 551.9, 553, 557; 16/110.1,
16/421, 422, 441, DIG. 12

See application file for complete search history.

(56) **References Cited**

U.S. PATENT DOCUMENTS

232,086	A	9/1880	Stockwell et al.	
2,101,519	A *	12/1937	Thorp	74/557
2,432,262	A *	12/1947	Thorp	74/557
D148,914	S	3/1948	Daubenberger	
2,441,061	A *	5/1948	Deer	74/557
2,579,165	A *	12/1951	Woodruff	74/557
2,716,903	A *	9/1955	Hansen	74/557
2,729,116	A *	1/1956	Arnold	74/557
2,790,330	A *	4/1957	Sinko	74/557
2,932,982	A *	4/1960	Enders	74/557
D214,618	S	7/1969	Waitman-Warner	
3,484,808	A	12/1969	Conterno	
3,554,052	A	1/1971	Mross	
3,899,934	A	8/1975	Froumajou	

5,289,736	A *	3/1994	Fujimori	74/557
5,870,800	A	2/1999	Chao	
D424,401	S *	5/2000	Ziemer	D8/312
6,108,871	A	8/2000	Weakland et al.	
6,151,987	A	11/2000	Porter	
D485,795	S *	1/2004	Murray	D12/179
7,263,911	B2	9/2007	Kindred	
D569,216	S	5/2008	Muchin et al.	

OTHER PUBLICATIONS

“Anchor Points and Spinner Knobs”, John Deere Catalog, 1 page, date unknown.

* cited by examiner

Primary Examiner—Stella M Reid

Assistant Examiner—Mark A Goodwin

(74) *Attorney, Agent, or Firm*—Sheridan Ross P.C.

(57) **CLAIM**

The ornamental design for a spinner knob, as shown and described.

DESCRIPTION

FIG. 1 is a perspective view of a spinner knob showing our new design,

FIG. 2 is a front elevation view thereof;

FIG. 3 is a rear elevation view thereof;

FIG. 4 is a left elevation view thereof;

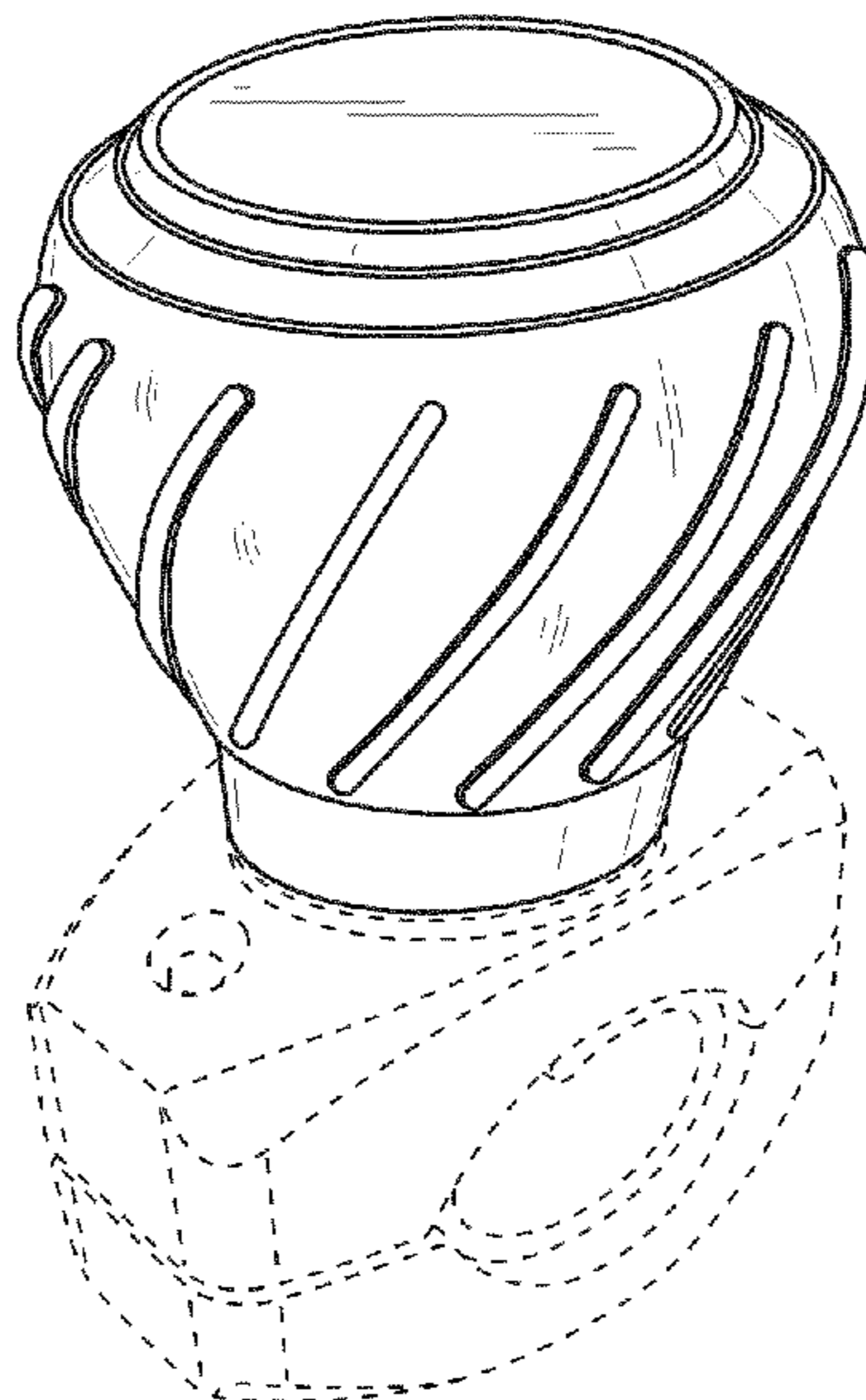
FIG. 5 is a right elevation view thereof;

FIG. 6 is a top plan view thereof; and,

FIG. 7 is a bottom plan view thereof.

The broken line showing of a mounting bracket in FIGS. 1-7 is included for the purpose of illustrating environmental structure and forms no part of the claimed design.

1 Claim, 4 Drawing Sheets



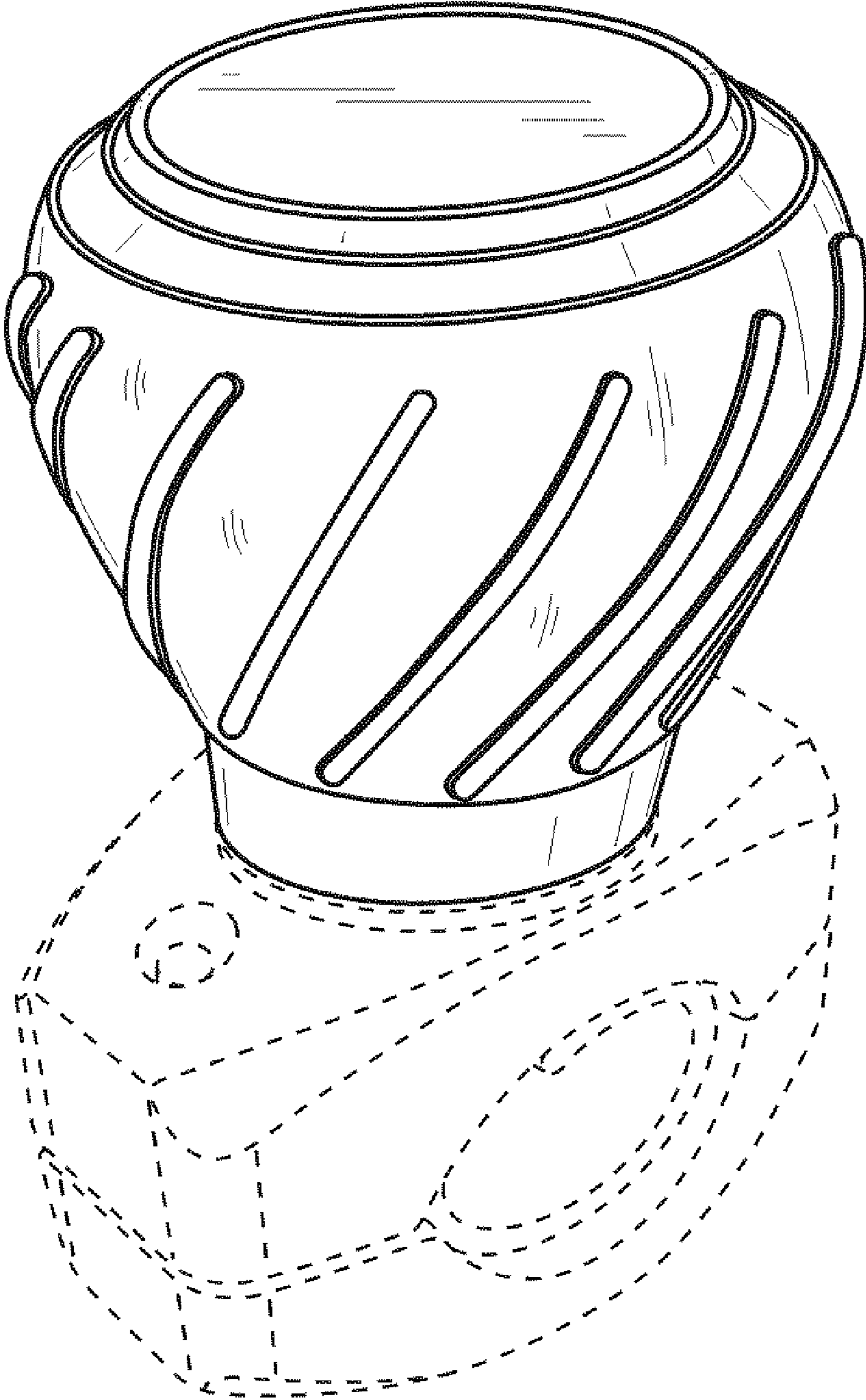


FIG. 1

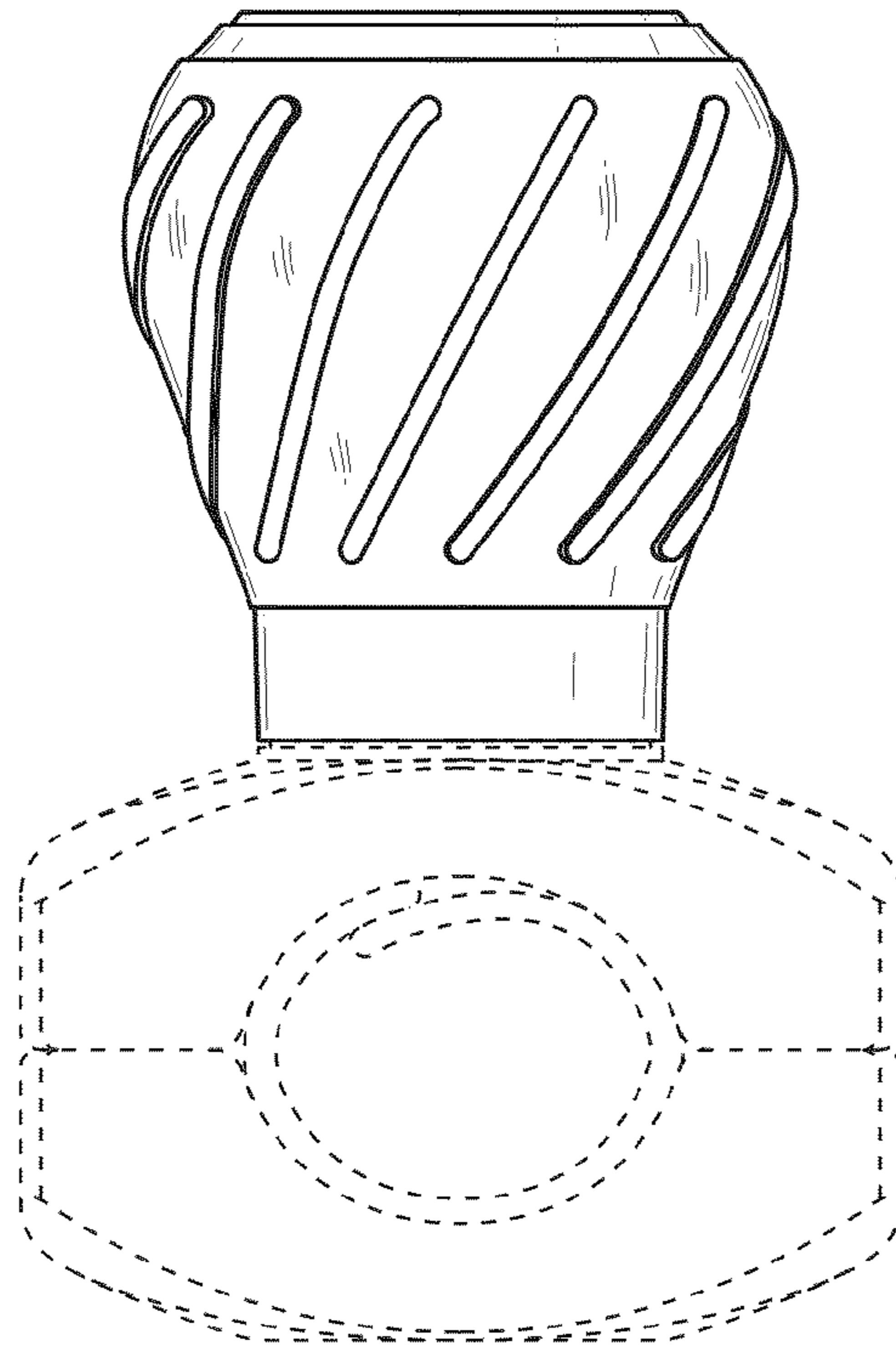


FIG. 2

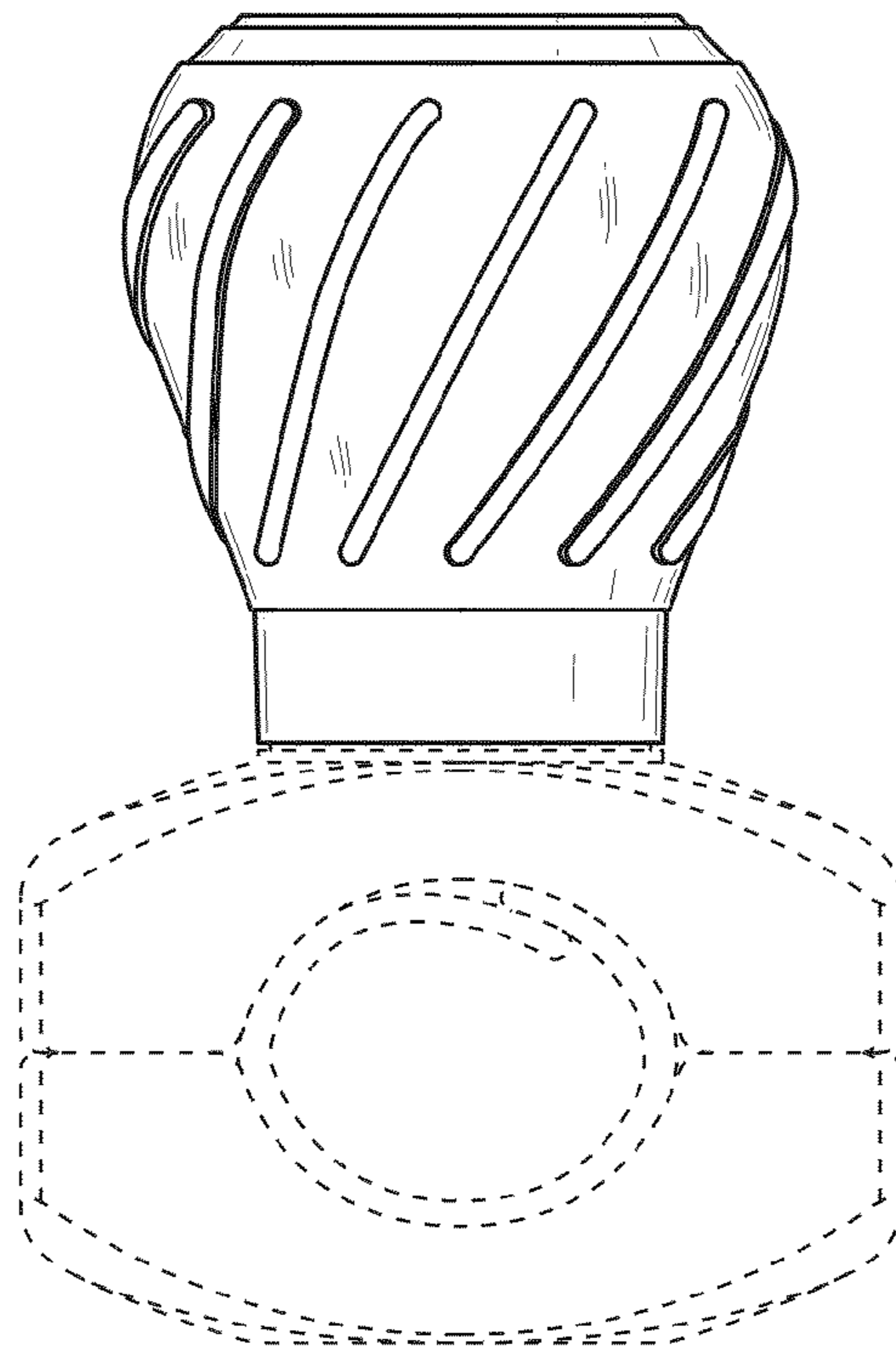


FIG. 3

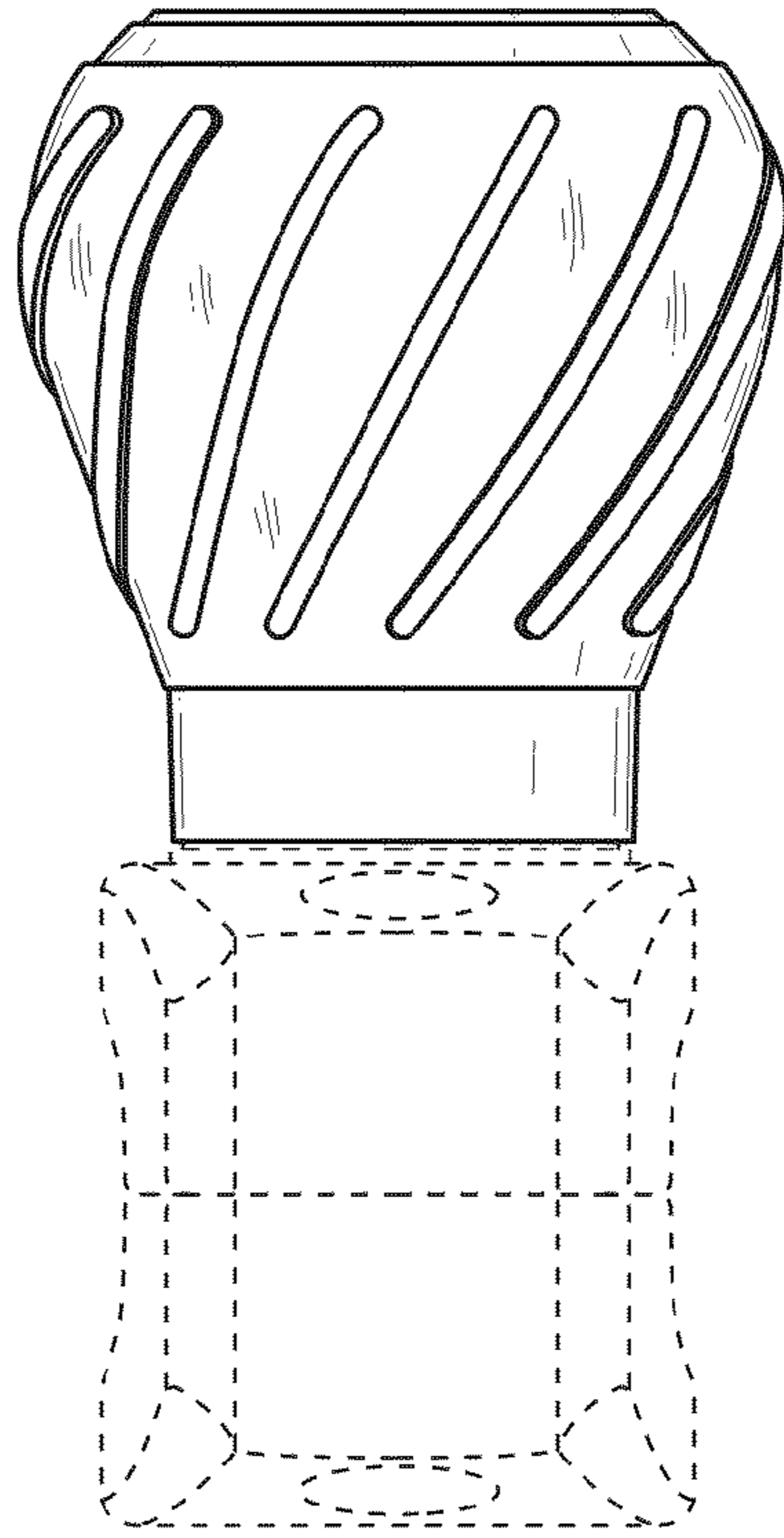


FIG.4

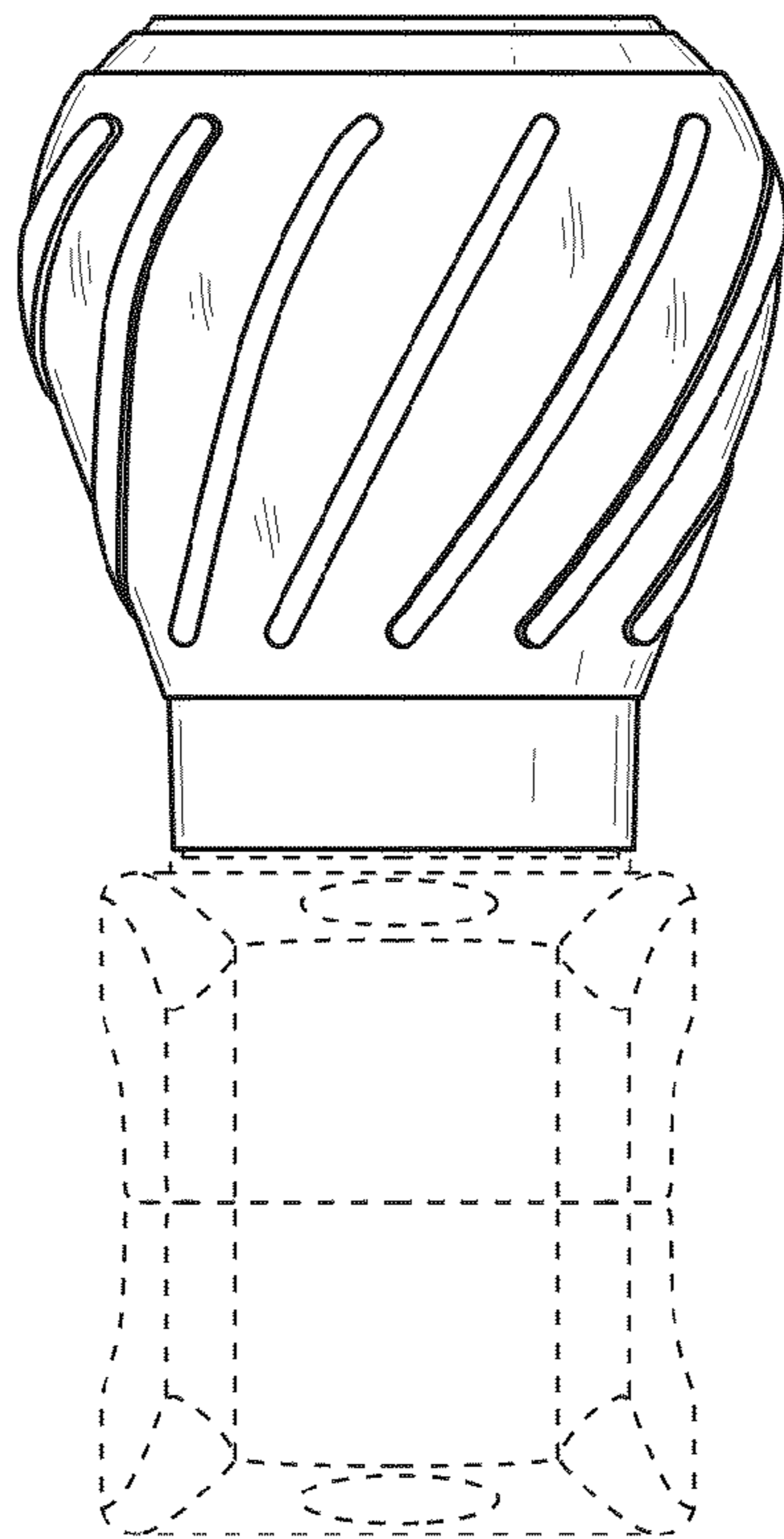


FIG.5

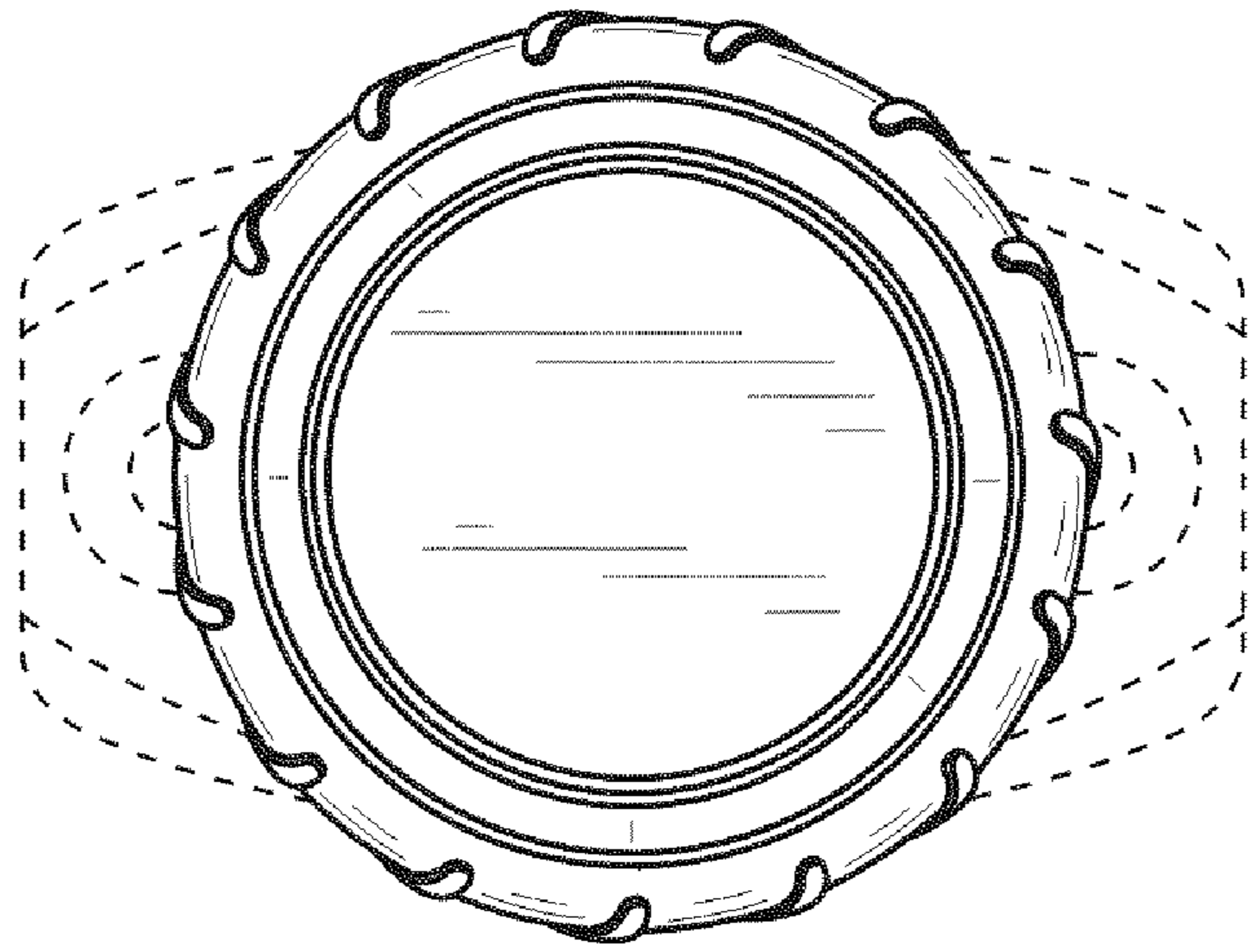


FIG. 6

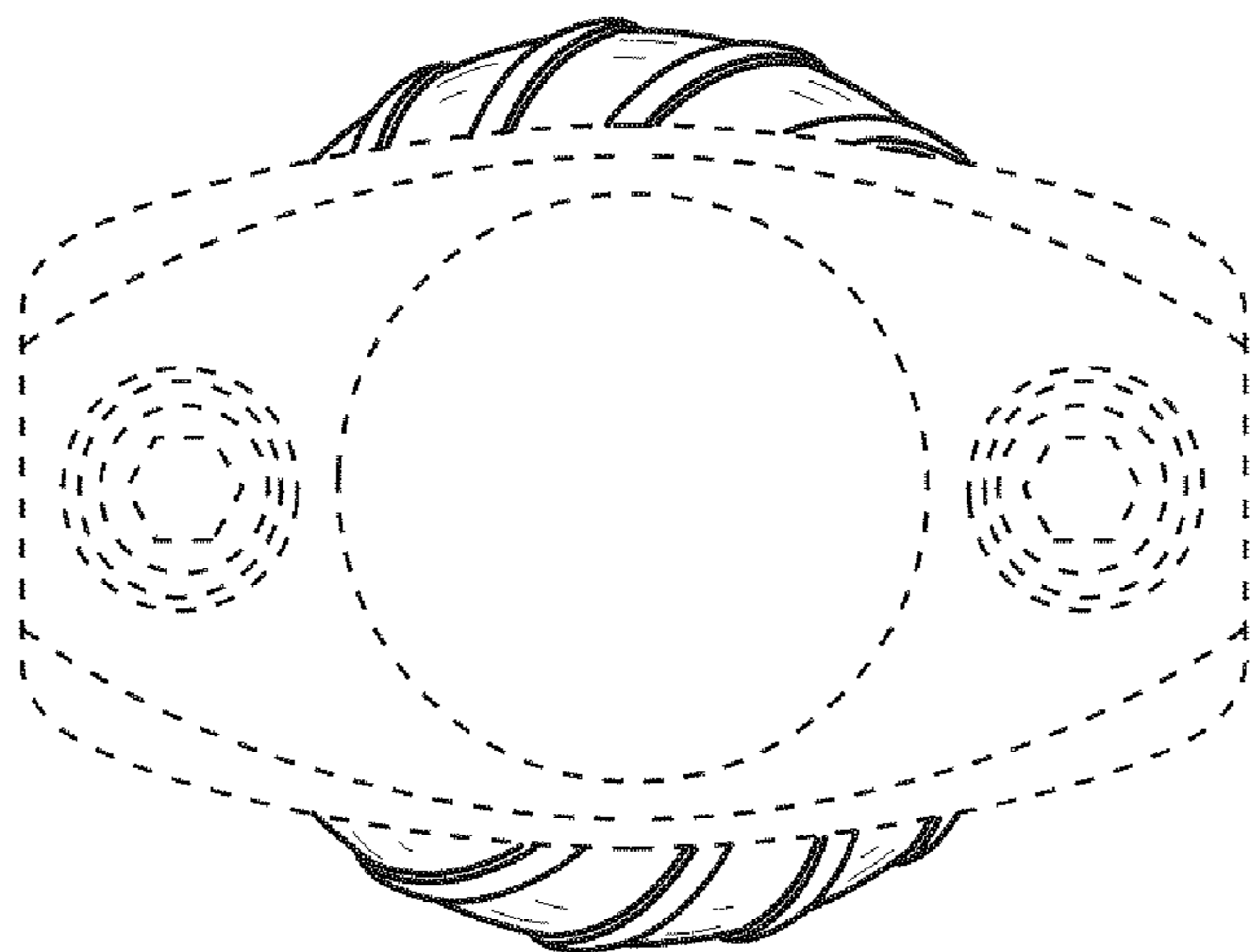


FIG. 7