



US00D595558S

(12) **United States Design Patent**
Saunders

(10) **Patent No.:** **US D595,558 S**

(45) **Date of Patent:** **** Jul. 7, 2009**

(54) **SKEW RABBIT PLANE**

OTHER PUBLICATIONS

(75) Inventor: **Terry R. Saunders**, North Gower (CA)

“#140 Rabbet and Block Plane, 7"L, 1¾"W (1½, 1936 on), 1½lbs, 1896-1944”, *The Superior Works—Patrick's Blood and Gore: Planes #90-#100* <http://www.supertool.com/St StanleyBG/stan12.htm>.

(73) Assignee: **Lee Valley Tools, Ltd.**, Ottawa, ON (CA)

(Continued)

(**) Term: **14 Years**

(21) Appl. No.: **29/308,228**

Primary Examiner—Philip S Hyder

(22) Filed: **Jun. 4, 2008**

(74) *Attorney, Agent, or Firm*—Kilpatrick Stockton LLP; John S. Pratt; Camilla C. Williams

(51) **LOC (9) Cl.** **08-03**

(52) **U.S. Cl.** **D8/101**

(58) **Field of Classification Search** D8/101, D8/51, 14, 98; 30/484, 491, 487, 488, 490
See application file for complete search history.

(57) **CLAIM**

The ornamental design for skew rabbet plane, as shown and described.

(56) **References Cited**

DESCRIPTION

U.S. PATENT DOCUMENTS

13,381	A	8/1855	Bailey
97,833	A	12/1869	Tanner et al.
135,341	A	1/1873	Jones
274,600	A	3/1883	Hegglund
296,207	A	4/1884	Mosher et al.
305,603	A	9/1884	Keiser
306,877	A	10/1884	Traut
315,014	A	4/1885	Duncan et al.
323,804	A	4/1885	Gage
368,003	A	8/1887	Polhemus
528,829	A	11/1894	Traut
636,830	A	11/1899	Miller
645,220	A	3/1900	Traut
744,411	A	11/1903	Sarasin
749,827	A	1/1904	Sjolander

FIG. 1 is a perspective view of the skew rabbet plane of this invention.

FIG. 2 is a left side elevation view of the design for the skew rabbet plane shown in FIG. 1.

FIG. 3 is a right side elevation view of the design for the skew rabbet plane shown in FIG. 1.

FIG. 4 is a top plan view of the design for the skew rabbet plane shown in FIG. 1.

FIG. 5 is a bottom plan view of the design for the skew rabbet plane shown in FIG. 1.

FIG. 6 is a front end elevation view of the design for the skew rabbet plane shown in FIG. 1; and,

FIG. 7 is a back end elevation view of the design for the skew rabbet plane shown in FIG. 1.

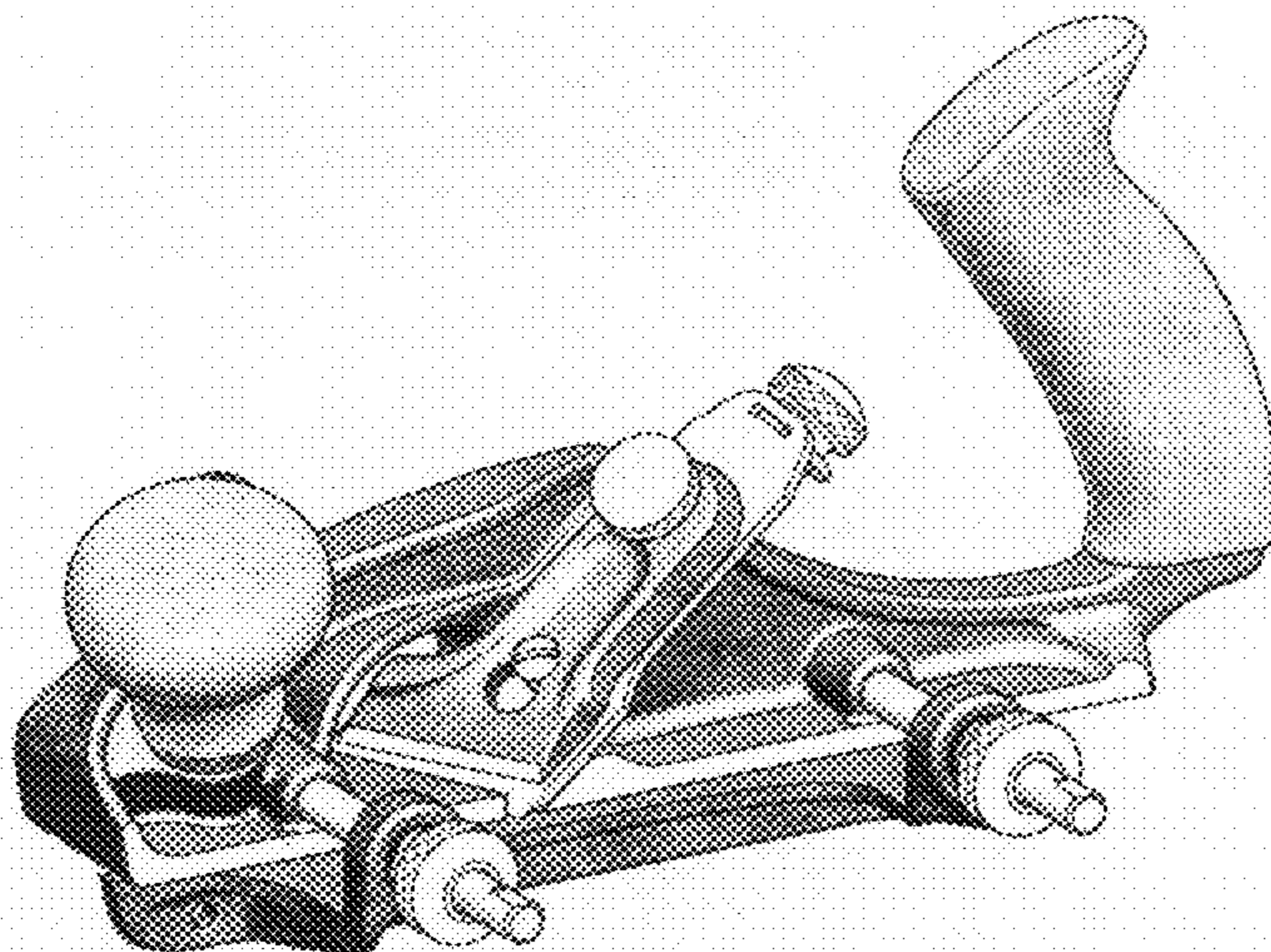
(Continued)

FOREIGN PATENT DOCUMENTS

CA 554421 3/1958

(Continued)

1 Claim, 4 Drawing Sheets



U.S. PATENT DOCUMENTS

779,392	A	1/1905	Bjordal	
781,771	A	2/1905	Gardner	
821,525	A	5/1906	Nordquist	
837,978	A	12/1906	Traut	
917,568	A	4/1909	Ekman	
960,256	A	6/1910	Bodmer	
968,508	A	8/1910	Bodmer	
1,090,225	A	3/1914	Page	
1,098,706	A	6/1914	Bodmer	
1,221,436	A	4/1917	Gaede	
1,264,350	A	4/1918	Unsinger	
1,332,919	A	3/1920	Ritter	
1,399,631	A	12/1921	Lofdahl et al.	
1,417,857	A	5/1922	Pfeiffer	
1,448,775	A	3/1923	Trump	
1,567,342	A	12/1925	Szako	
1,618,604	A	2/1927	Riggs	
1,726,124	A	8/1929	Rodionoff	
1,914,609	A	6/1933	MacAller	
D137,230	S	2/1944	Oxhandler	
2,347,570	A	4/1944	Lavietes	
2,371,946	A	3/1945	Benn	
D141,110	S	5/1945	Doniger	
D159,339	S	7/1950	Huxtable	
2,550,377	A *	4/1951	Pratt	30/478
2,550,766	A	5/1951	Bryant	
2,568,665	A	9/1951	Shaler	
2,570,980	A *	10/1951	Powell	30/481
2,645,259	A	7/1953	Ackland	
2,648,363	A	8/1953	Weber	
2,655,721	A	10/1953	Einhorn	
2,682,699	A	7/1954	Merrill	
2,693,029	A	11/1954	Kass	
2,758,619	A	8/1956	Swanson et al.	
2,839,109	A	6/1958	Wilson et al.	
2,969,097	A *	1/1961	Kulbersh et al.	30/489
3,523,348	A	8/1970	Nilsson	
3,710,467	A	1/1973	Coon et al.	
3,763,531	A	10/1973	Dancsik	
3,983,595	A	10/1976	Knudsen et al.	
4,015,649	A *	4/1977	Gilbert	30/487
4,027,388	A	6/1977	Fletcher	
4,088,165	A *	5/1978	Andersson	30/478
D260,728	S *	9/1981	Breger	D8/101
4,492,260	A	1/1985	Whiteford	
4,498,513	A	2/1985	Derivaz	
4,589,209	A *	5/1986	Zarges et al.	30/478
5,459,928	A	10/1995	Lynn et al.	
5,694,696	A *	12/1997	Lee et al.	30/488
D435,777	S	1/2001	Jones et al.	

6,615,497	B1	9/2003	Saunders et al.	
D481,288	S *	10/2003	Saunders	D8/101
7,117,602	B2	10/2006	Saunders	
D563,190	S	3/2008	Lee et al.	
7,444,750	B2 *	11/2008	Saunders	30/488
2003/0037446	A1	2/2003	Saunders et al.	
2004/0068878	A1	4/2004	Lin	
2004/0074098	A1	4/2004	Schwarz et al.	
2005/0061398	A1	3/2005	Saunders	
2005/0229409	A1 *	10/2005	Lee et al.	30/478
2007/0044328	A1 *	3/2007	Economaki	30/478

FOREIGN PATENT DOCUMENTS

DE	0046033	12/1887
DE	20215203 U1	11/2002
GB	2280868 A	2/1995
GB	2391828	4/2005
SE	149704	12/1951
SE	134377	1/1952

OTHER PUBLICATIONS

“#289 Filletster and Rabbet Plane, 8½"L, 1¾"W (17/8"W, 1936 on), 3¾lbs, 1911-1948”, *The Superior Works—Patrick's Blood and Gore: Planes #90-#100* <http://www.supertool.com/St StanleyBG/stan14.htm>.
 “#78 Duplex Filletster and Rabbet Plane, 8½"L (8¼", 1936on) 1½"W, 3lbs, 1885-1973”, *The Superior Works: Stanley Blood and Gore Planes #71-#87* <http://www.supertool.com/St StanleyBG/stan10.htm>.
 “12-052-10 Blade Plough Combination Plane”.
 “1998/1999 Issue of Lee Valley & Veritas(4) Catalog”, Copyright 1998, Items H, J, K, and L, Items C & H , 26 & 27.
 “Highland Hardware Catalog titled Woodworking Tools, Books & Supplies”, *Fall 91/Winter 92 Catalog* Item numbered “U” , 83.
 “Highland Hardware Catalog titled Woodworking Tools, Books & Supplies”, *Fall 91/Winter 92 Catalog* Item numbered “T” , 83.
 “Highland Hardware Catalog Titled Woodworking Tools, Books & Supplies”, *Fall 91/Winter 92 Catalog* Item numbered “V” , 83.
 “Picture of Stanley 112 Cabinet Scraper Plane”, <http://www.goantiques.com/scripts/images/id,823461.html>.
 “Shop Solutions, Scraper Holder”, *Shopnotes, Issue 3* , 26.
 “VarvillSkew Mouth Rabbet Plane”, Old Tools.co.uk and Collectables.http://oldtools.co.uk/tools/planes/_scrapers/wooden_planes/wooden_plane.p1814.php.
 “Veritas Small Plow Plane”, *Lee Valey and Veritas* <http://www.leevalley.com/wood/page.aspx?c=57678&cat=1,41182>.
 Leonard, Lee “The Complete Guide to Sharpening, A Fine Woodworking Book”, 229-233.
 Walter, John “Antique & Collectible Stanley Tools Guide to Identity and Value”, #112 *Cabinet Scraper Plane, The Tool Merchant, Marietta, Ohio* Sep. 1996.

* cited by examiner

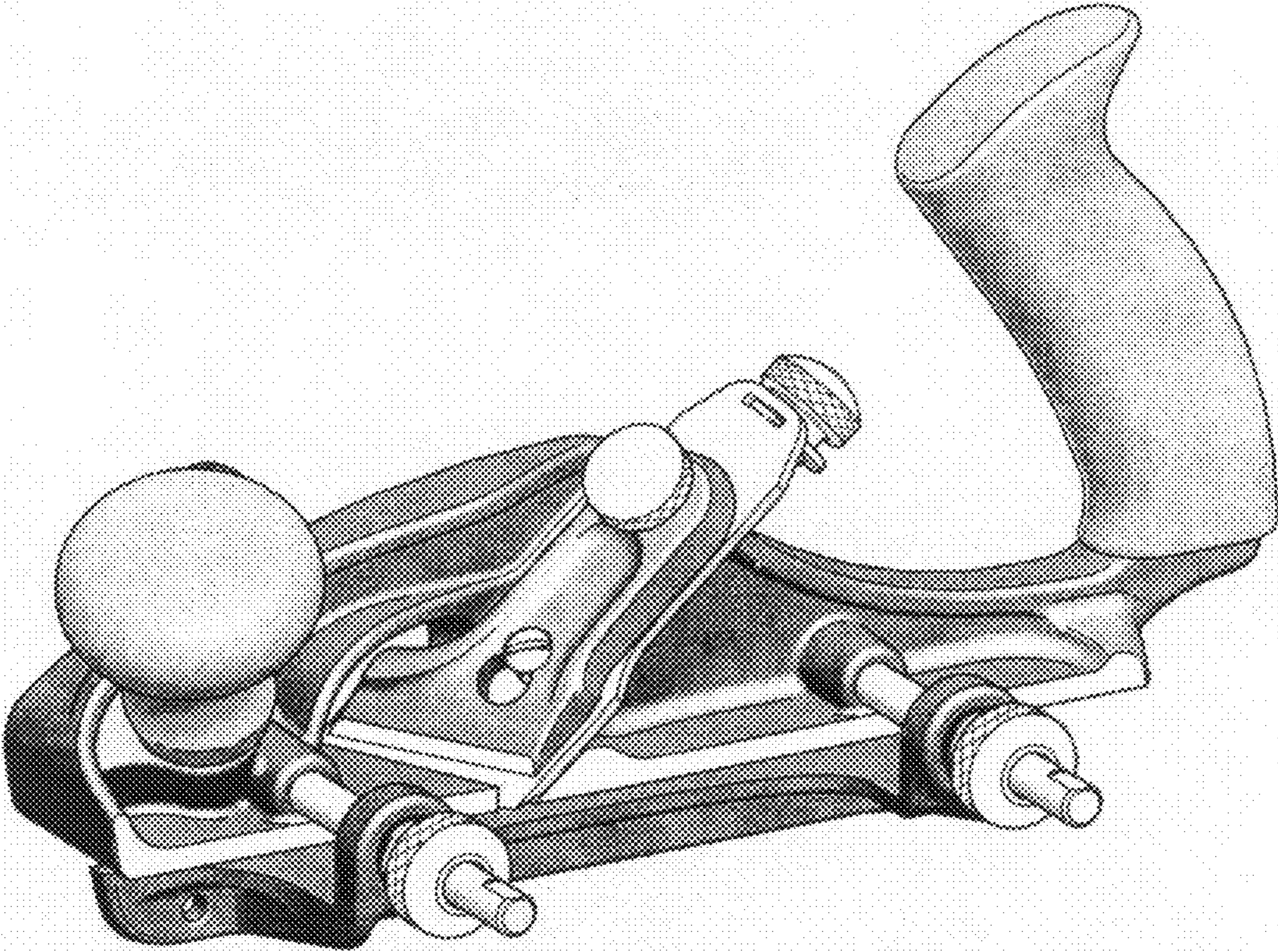


FIG. 1

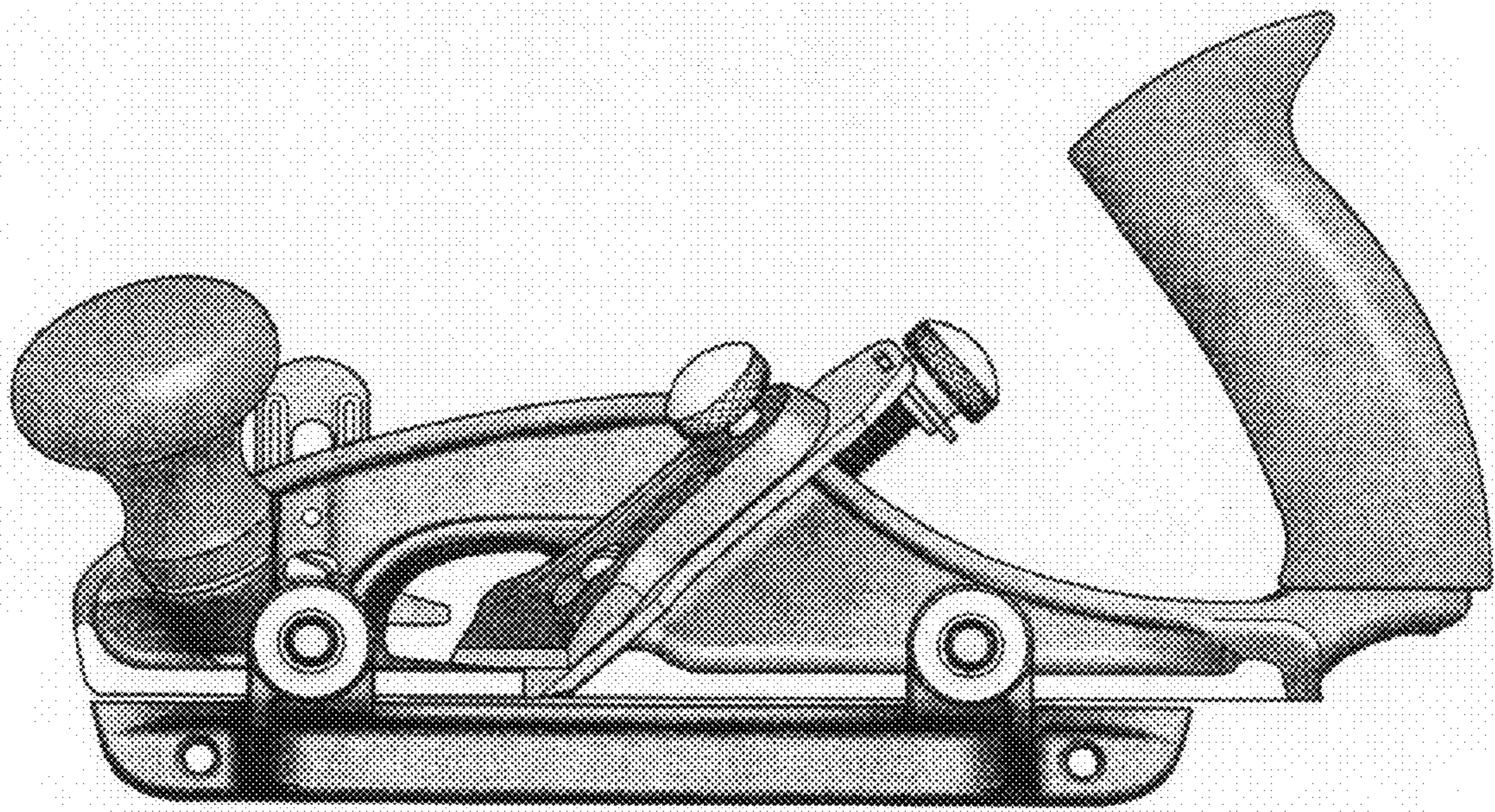


FIG. 2

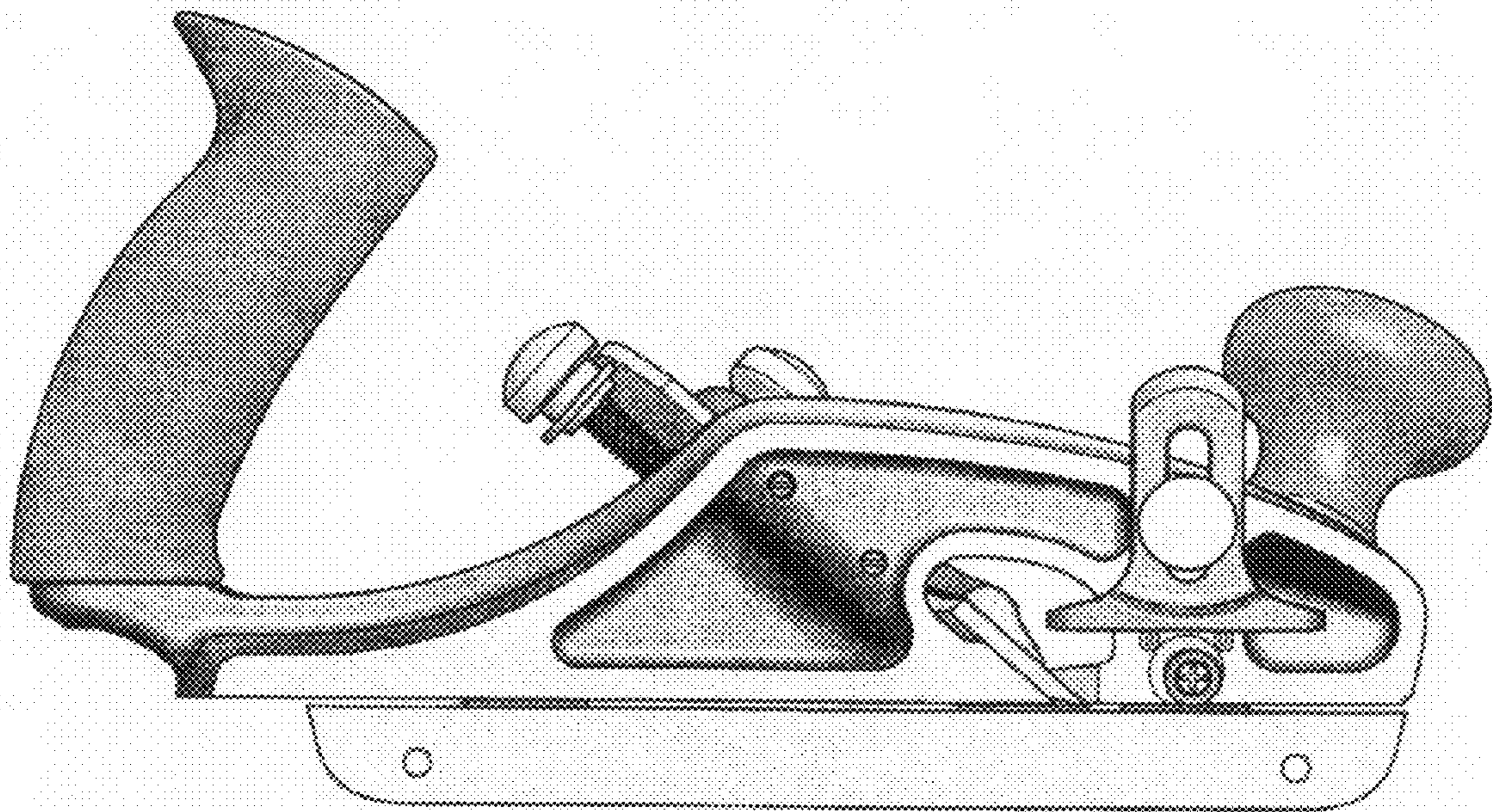


FIG. 3

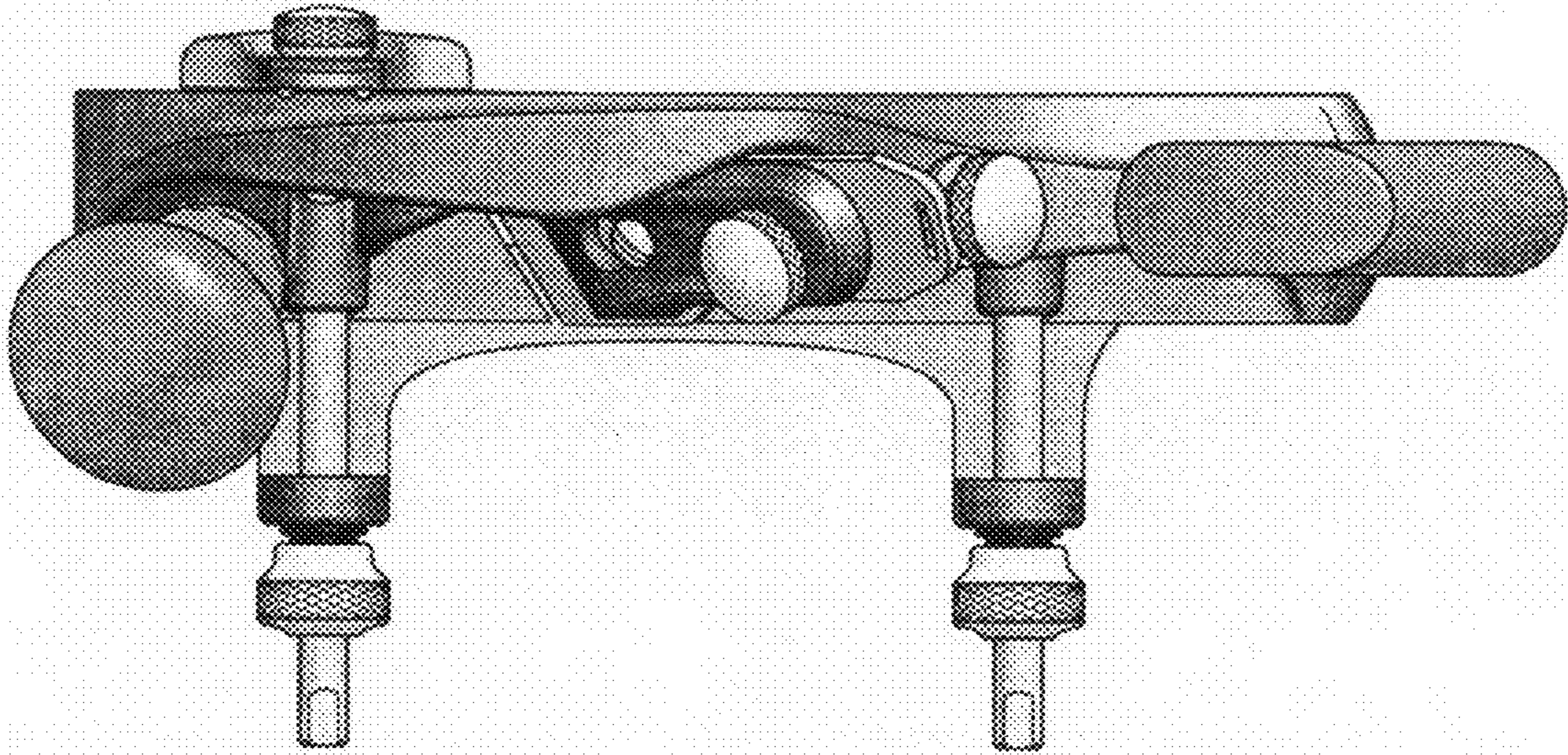


FIG. 4

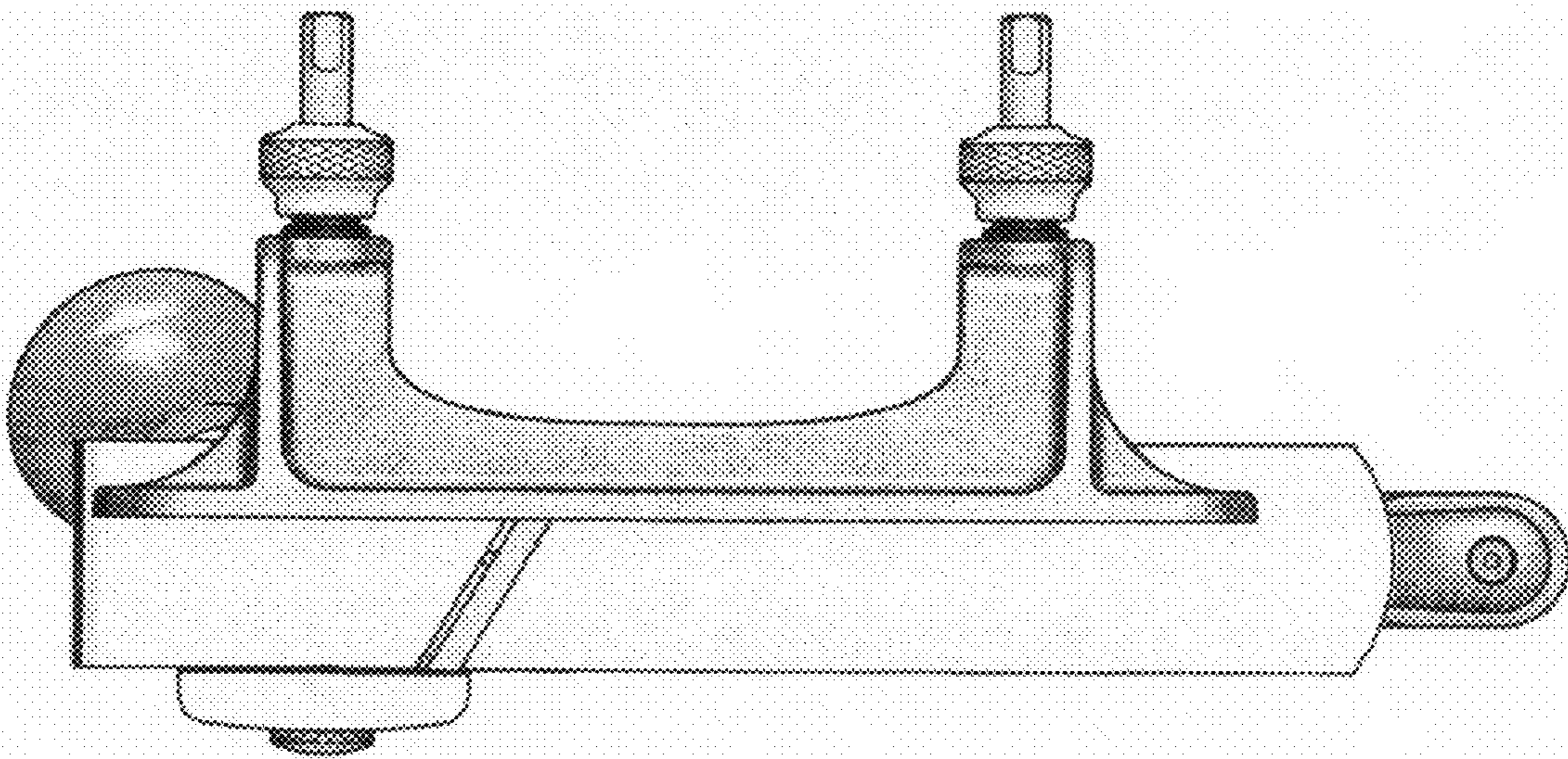


FIG. 5

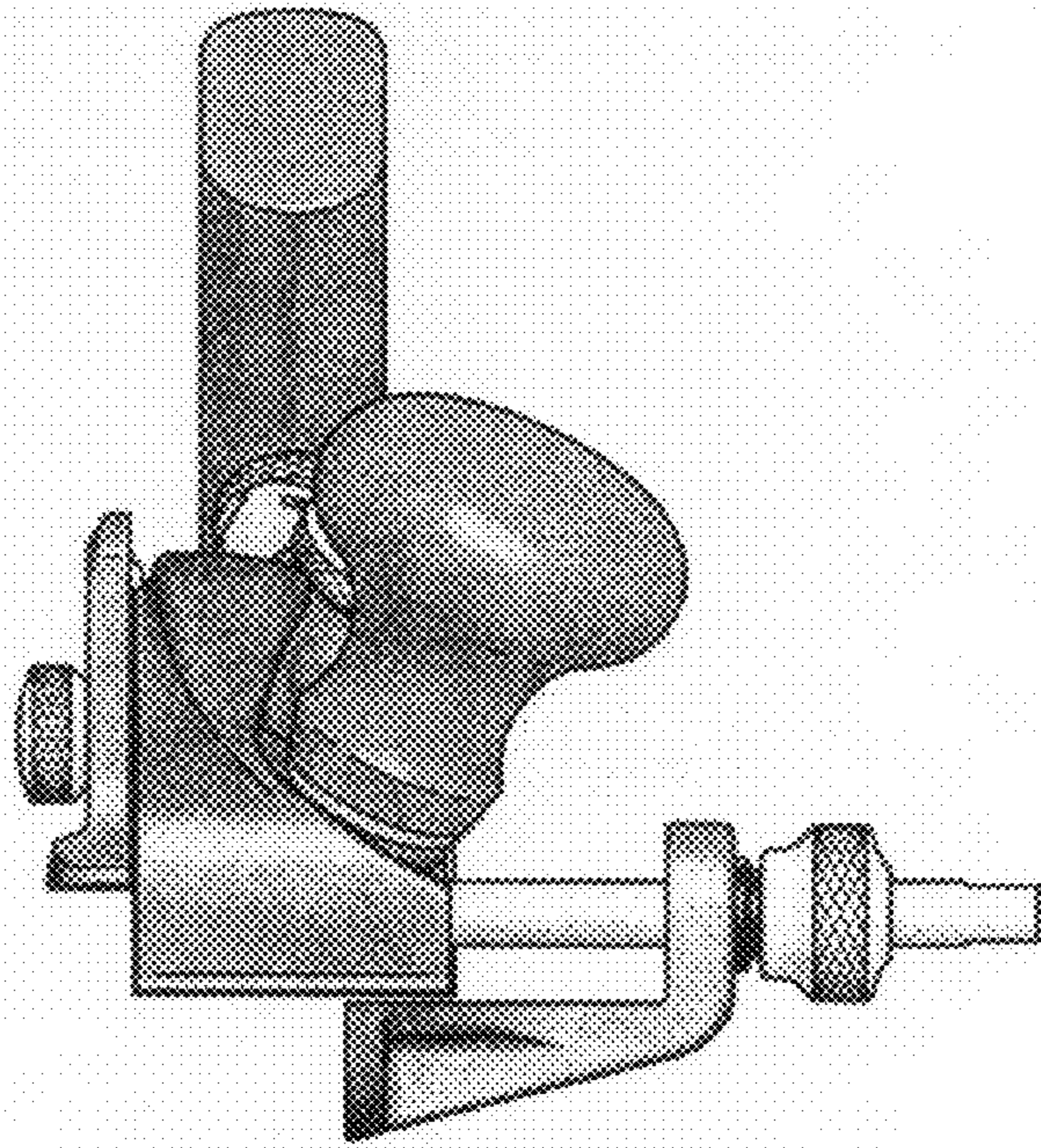


FIG. 6

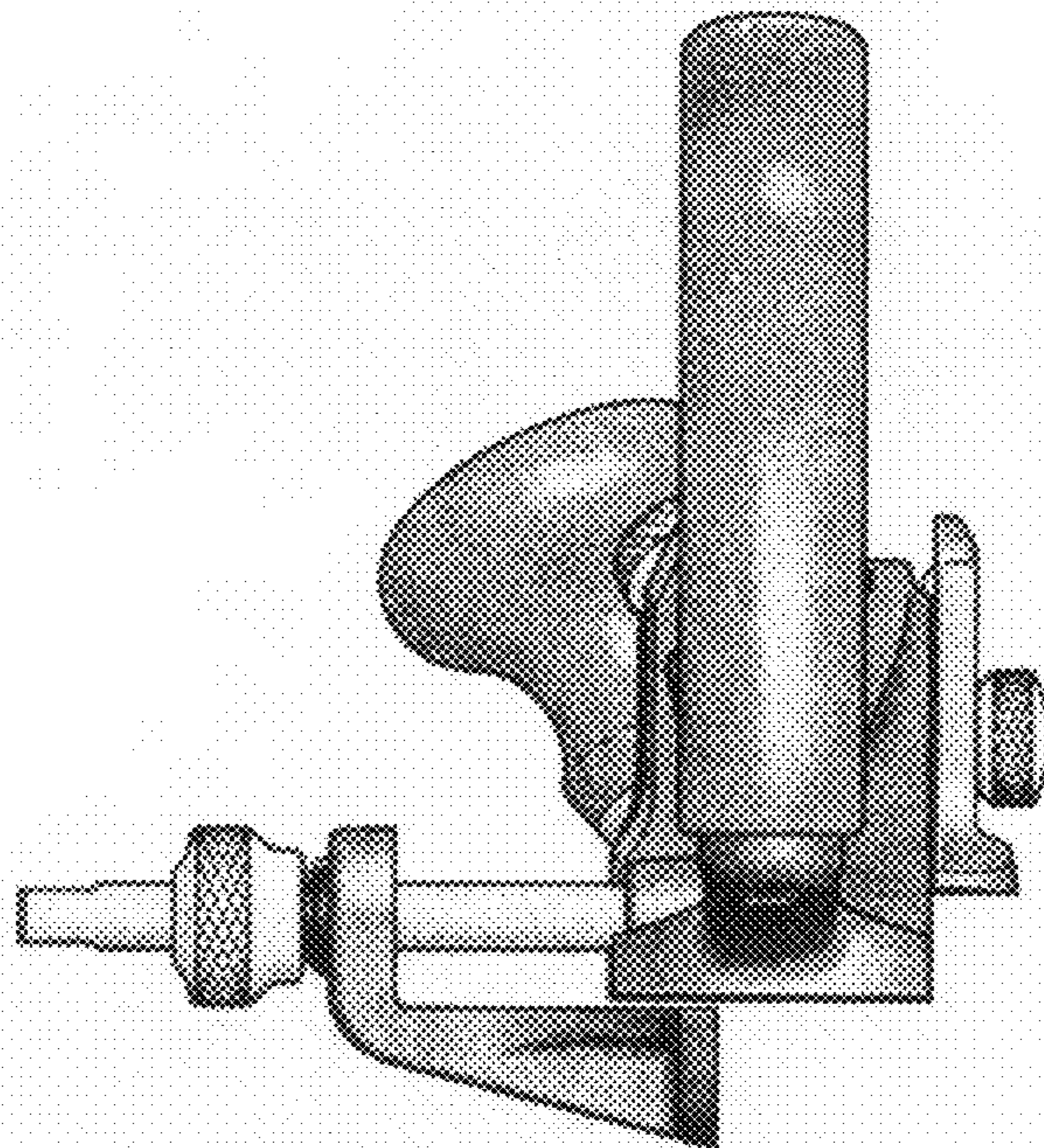


FIG. 7