



US00D595557S

(12) **United States Design Patent**
Hawk et al.

(10) **Patent No.:** **US D595,557 S**

(45) **Date of Patent:** **** Jul. 7, 2009**

(54) **FOLDING KNIFE**

(75) Inventors: **Grant W. Hawk**, Idaho City, ID (US);
Gavin D. Hawk, Idaho City, ID (US)

(73) Assignee: **Kai U.S.A., Ltd.**, Tualatin, OR (US)

(**) Term: **14 Years**

(21) Appl. No.: **29/318,874**

(22) Filed: **May 29, 2008**

(51) **LOC (9) Cl.** **08-03**

(52) **U.S. Cl.** **D8/99**

(58) **Field of Classification Search** D8/98,
D8/99; D22/118; 30/155, 156, 157, 158,
30/159, 160, 161

See application file for complete search history.

(56) **References Cited**

U.S. PATENT DOCUMENTS

5,819,414	A *	10/1998	Marifone	30/160
D422,871	S *	4/2000	Terzuola	D8/99
D435,421	S *	12/2000	Strider et al.	D8/99
6,427,334	B2 *	8/2002	Onion	30/161
D473,917	S *	4/2003	Carter, III	D22/118
D494,440	S *	8/2004	Carter, III	D8/107
D495,940	S *	9/2004	Keppel et al.	D8/99
D497,531	S *	10/2004	Carter, III	D8/99
7,086,157	B2 *	8/2006	Vallotton	30/159
D560,997	S *	2/2008	Onion	D8/99
D572,562	S *	7/2008	Hawk et al.	D8/99
D576,466	S *	9/2008	Onion	D8/99

D578,856 S * 10/2008 Martin D8/99
2007/0180702 A1 8/2007 Hawk et al. 30/161

* cited by examiner

Primary Examiner—Philip S Hyder

(74) *Attorney, Agent, or Firm*—Seed IP Law Group PLLC

(57) **CLAIM**

The ornamental design for a folding knife, substantially as shown and described.

DESCRIPTION

FIG. 1 is a perspective view of a folding knife, with the blade in an open position, showing our new design.

FIG. 2 is a perspective view thereof, showing the blade in a closed position.

FIG. 3 is a rear elevational view thereof.

FIG. 4 is a right side elevational view thereof.

FIG. 5 is a front elevational view thereof.

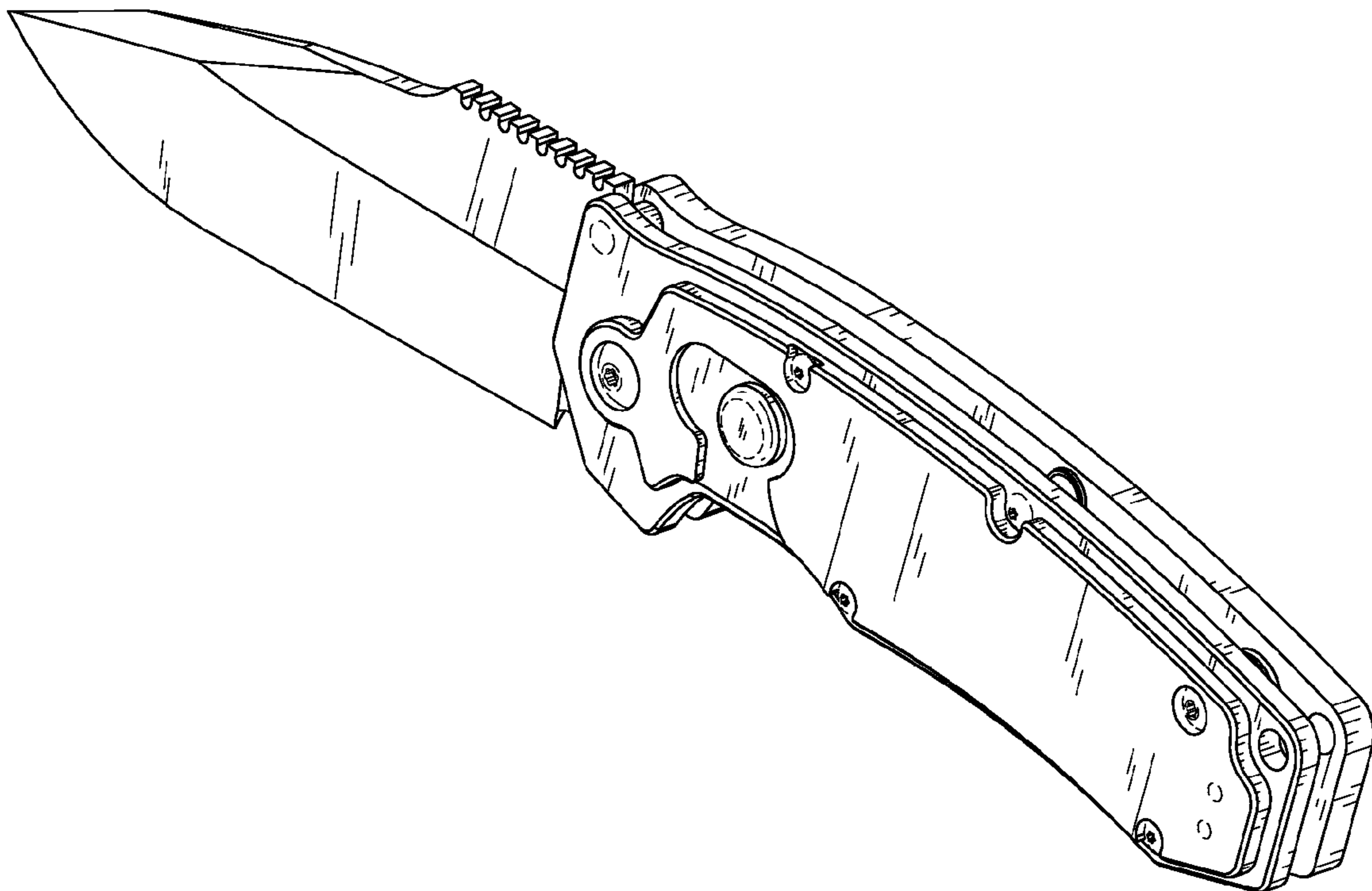
FIG. 6 is a left side elevational view thereof.

FIG. 7 is a bottom plan view thereof; and,

FIG. 8 is a top plan view thereof.

Stippling and shading lines shown in the drawings are intended to represent the approximate three-dimensional contour of the design, and are not intended to indicate surface decoration. The broken lines in the figures illustrate unclaimed portions of the design.

1 Claim, 4 Drawing Sheets



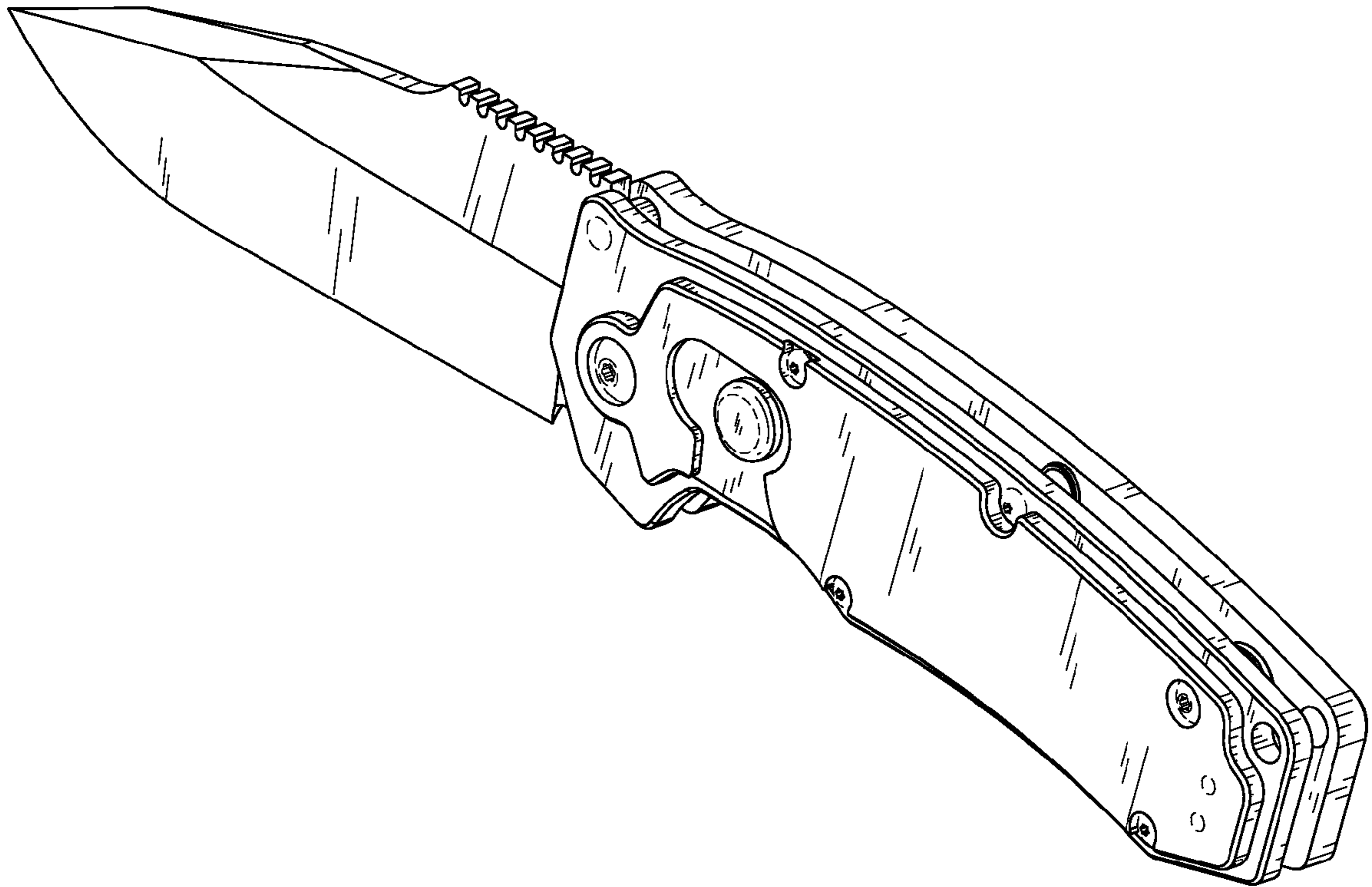


FIG. 1

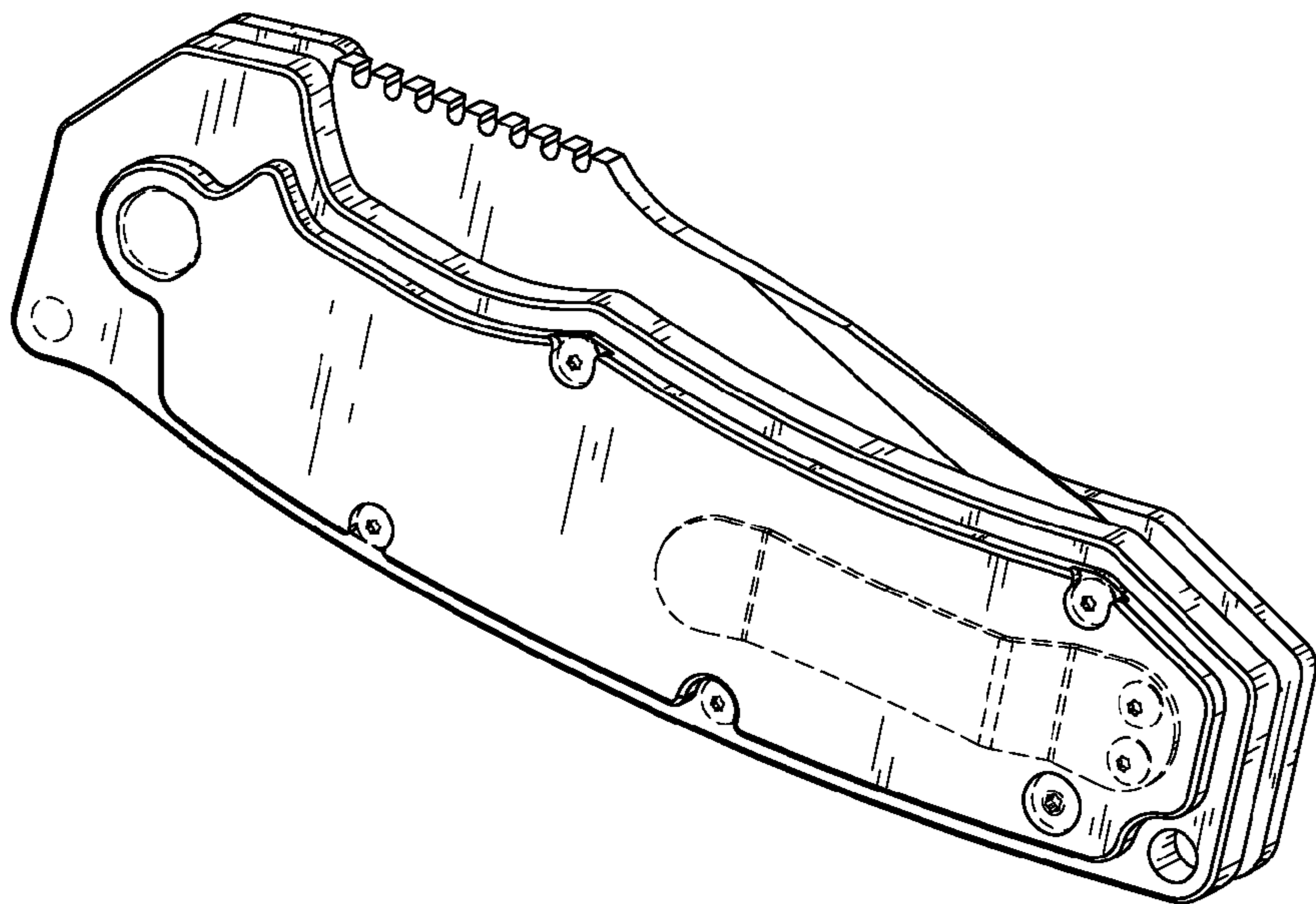


FIG. 2

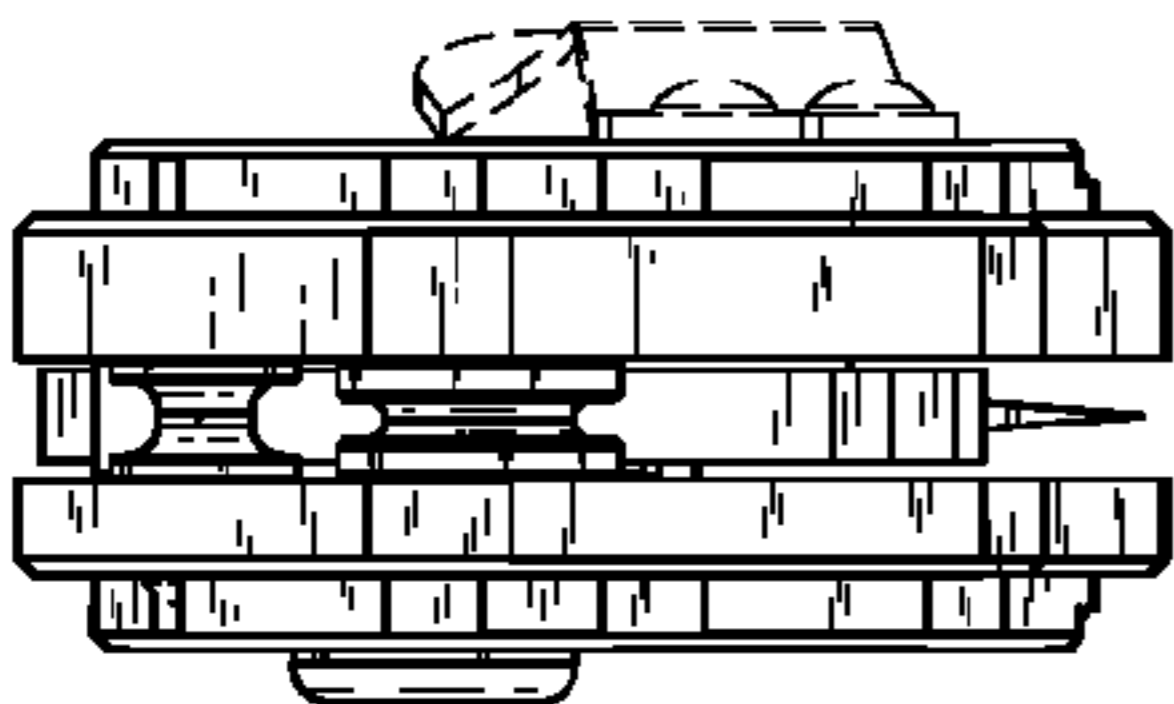


FIG. 3

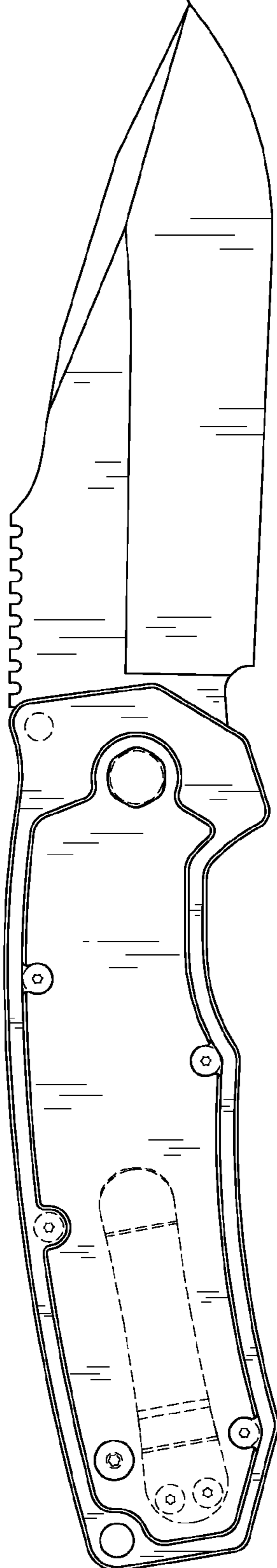


FIG. 4

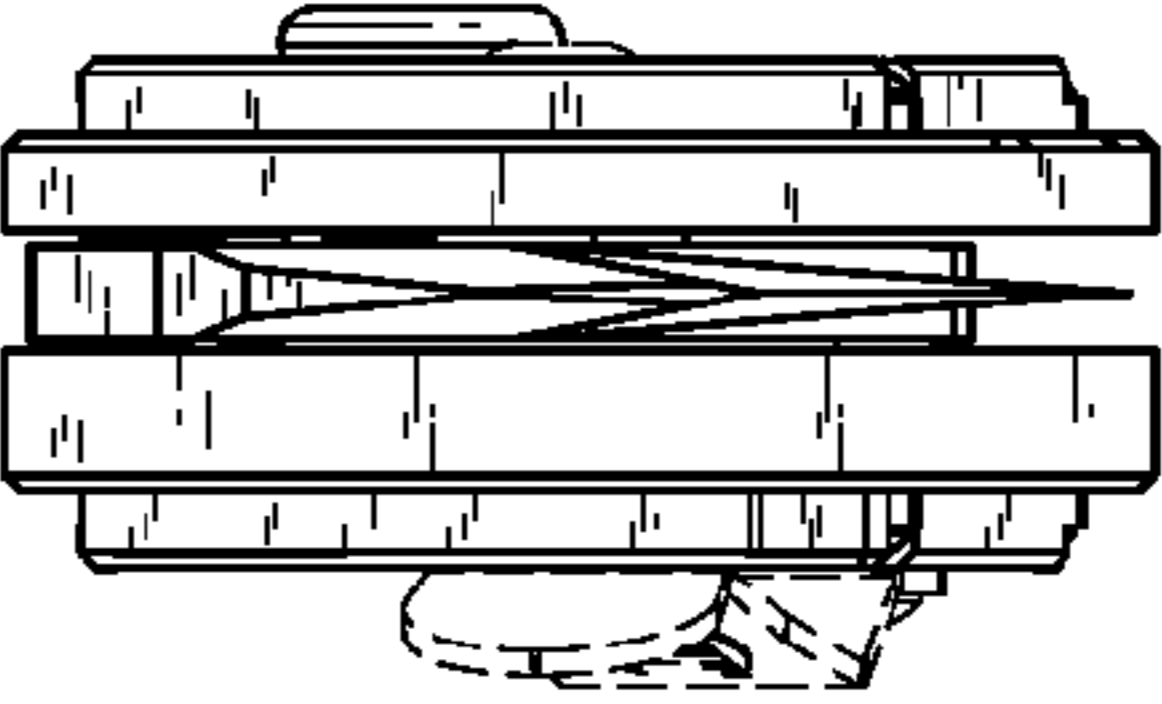


FIG. 5

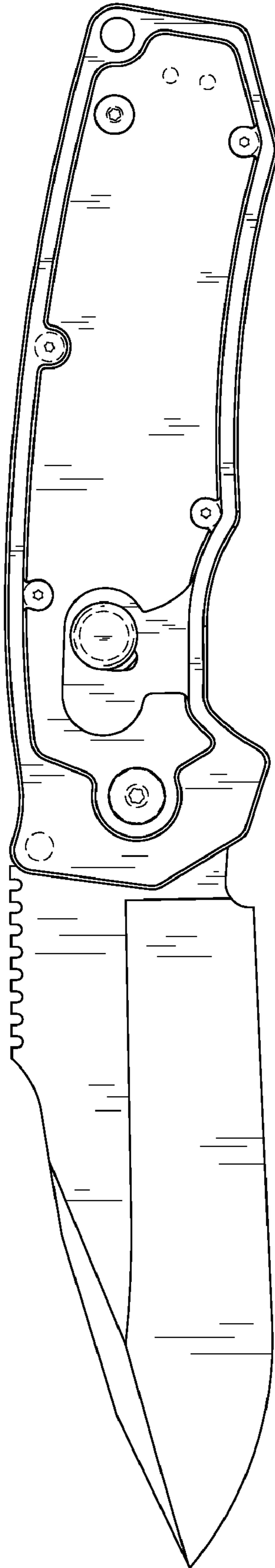


FIG. 6

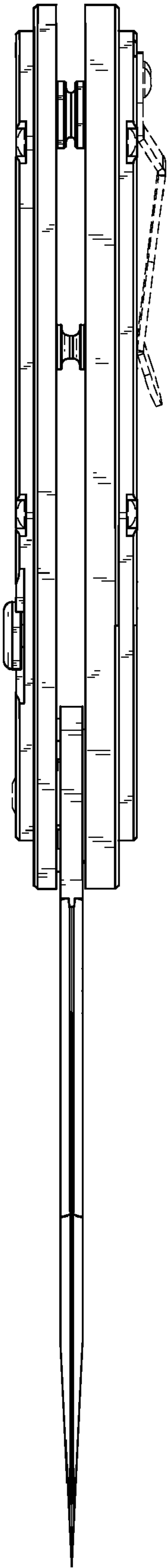


FIG. 7

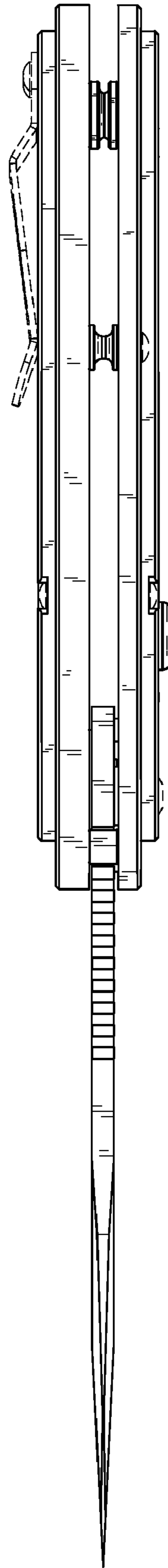


FIG. 8