



US00D595554S

(12) **United States Design Patent**  
**Hardinge et al.**

(10) **Patent No.:** **US D595,554 S**  
(45) **Date of Patent:** **\*\* Jul. 7, 2009**

(54) **AXE BLADE**

(75) Inventors: **Hal Hardinge**, Tigard, OR (US); **John Nason**, Keizer, OR (US); **Juan Cagampang**, Portland, OR (US)

(73) Assignee: **Fiskars Brands, Inc.**, Madison, WI (US)

(\*\*) Term: **14 Years**

(21) Appl. No.: **29/321,373**

(22) Filed: **Jul. 15, 2008**

(51) **LOC (9) Cl.** ..... **08-02**

(52) **U.S. Cl.** ..... **D8/78; D8/76**

(58) **Field of Classification Search** ..... D8/75,  
D8/76, 77, 78, 79, 80, 81, 47; D22/118;  
30/308.1, 308.2; 7/143, 144, 145; 81/20,  
81/21

See application file for complete search history.

(56) **References Cited**

**U.S. PATENT DOCUMENTS**

2,329,424	A *	9/1943	Steiner	.....	30/308.2
2,793,664	A *	5/1957	Warrington, Sr.	.....	30/308.2
2,989,100	A	6/1961	Burdis et al.		
D243,314	S *	2/1977	Hedvall	.....	D8/76
4,106,539	A	8/1978	Petrich		
D278,967	S *	5/1985	Hewitt	.....	D8/76
D302,235	S *	7/1989	Giordano	.....	D8/76
D336,601	S *	6/1993	Crawford	.....	D8/98
5,347,718	A *	9/1994	Turner	.....	30/122
D356,480	S *	3/1995	Ronnholm et al.	.....	D8/76
D362,795	S *	10/1995	Ronnholm	.....	D8/76
5,771,588	A *	6/1998	Petrich	.....	30/308.2
D402,874	S *	12/1998	Hall et al.	.....	D8/76
6,792,683	B1 *	9/2004	Nordstrom et al.	.....	30/308.2
D519,813	S *	5/2006	Hung	.....	D8/76

**OTHER PUBLICATIONS**

Gator™ Axe, printed from website [www.gerbergear.com/product.php?model=9469](http://www.gerbergear.com/product.php?model=9469) on Aug. 19, 2008, 1 page.

Splitting Axe, printed from website [www.gerbergear.com/product.php?model=2763](http://www.gerbergear.com/product.php?model=2763) on Aug. 19, 2008, 1 page.

Sport Axe, printed off website [www.gerbergear.com/product.php?model=5907](http://www.gerbergear.com/product.php?model=5907) on Aug. 19, 2008, 1 page.

Camp Axe, printed off website [www.gerbergear.com/product.php?model=5905](http://www.gerbergear.com/product.php?model=5905) on Aug. 19, 2008, 1 page.

Extra Large Axe, printed off website [www.gerbergear.com/product.php?model=2730](http://www.gerbergear.com/product.php?model=2730) on Aug. 19, 2008, 1 page.

Back Pax™, printed off website [www.gerbergear.com/product.php?model=5912](http://www.gerbergear.com/product.php?model=5912) on Aug. 19, 2008, 1 page.

Ax International Pac-Ax, printed off website <http://aqdwr.org/knives/bob/tool/pac-ax.html> on Aug. 19, 2008, 1 page.

\* cited by examiner

Primary Examiner—Philip S Hyder

(74) Attorney, Agent, or Firm—Foley & Lardner LLP

(57) **CLAIM**

We claim the ornamental design for an axe blade, as shown and described.

**DESCRIPTION**

FIG. 1 is a perspective view of the claimed design.

FIG. 2 is a front elevation view of the claimed design.

FIG. 3 is a rear elevation view of the claimed design.

FIG. 4 is a left side elevation view of the claimed design.

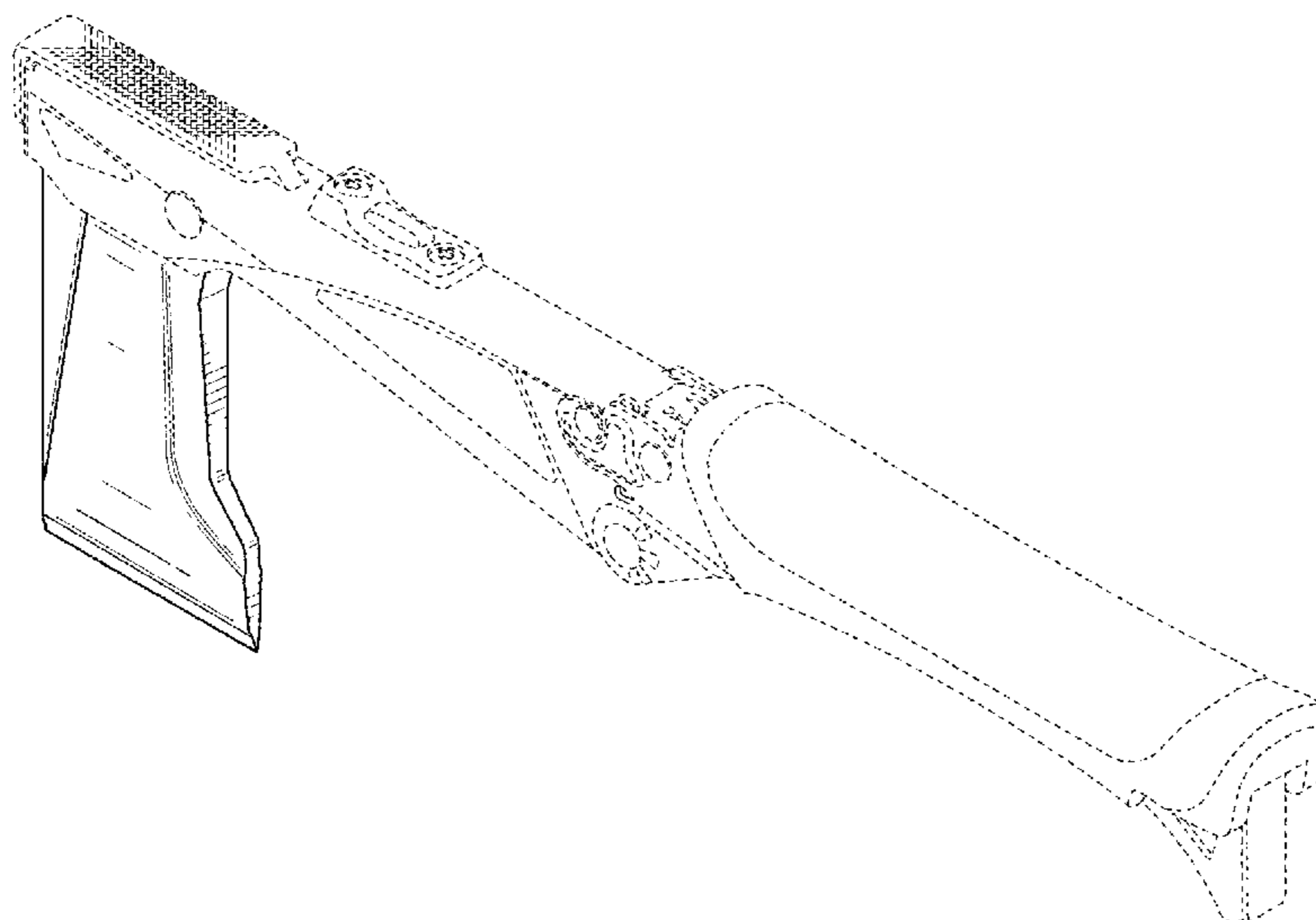
FIG. 5 is a top plan view of the claimed design.

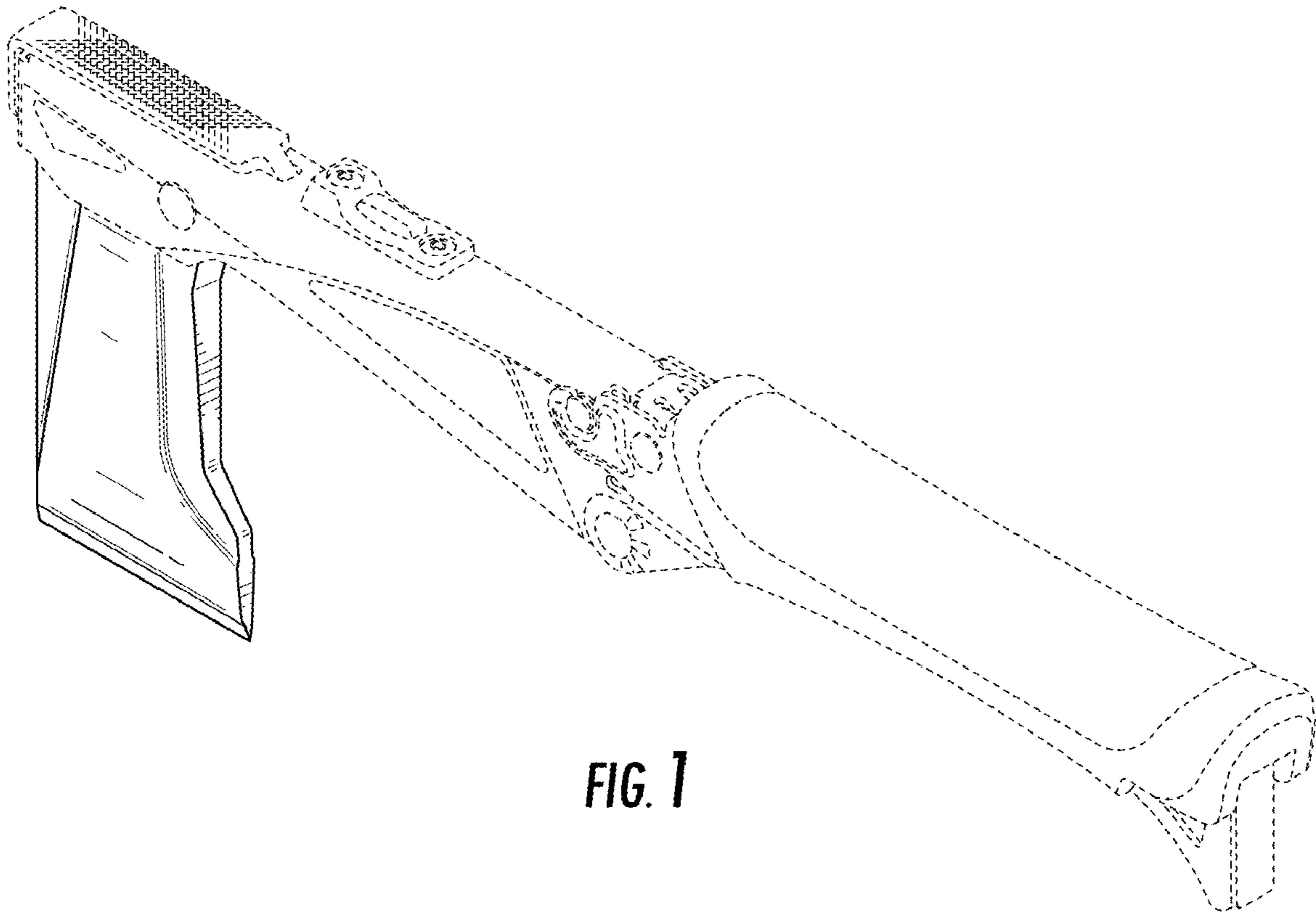
FIG. 6 is a right side elevation view of the claimed design; and,

FIG. 7 is a bottom plan view of the claimed design.

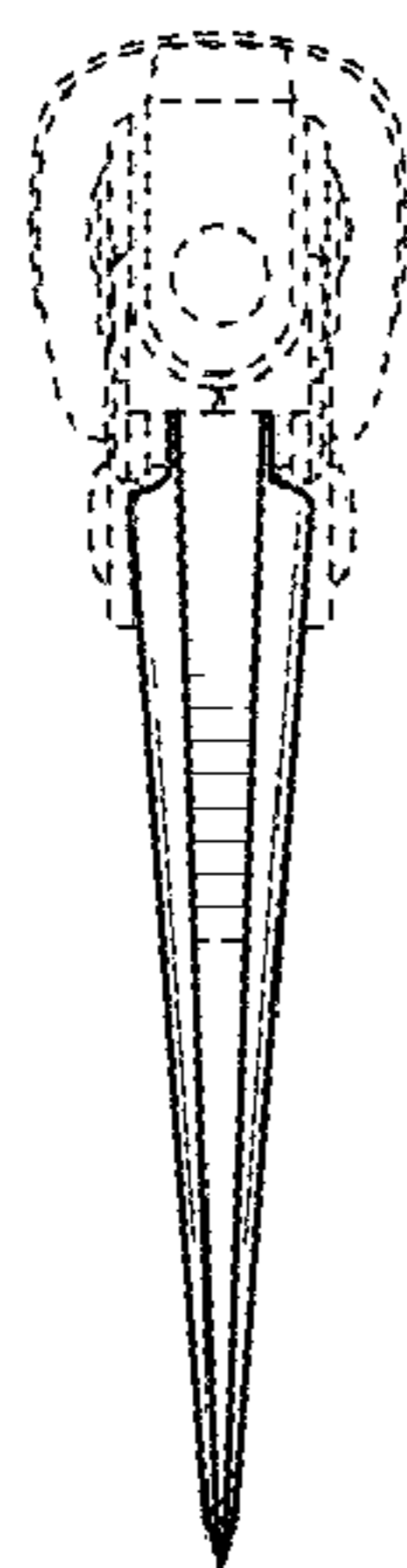
The ornamental design which is claimed is shown in solid lines in the drawings. The broken lines in the drawings are for environmental purposes only and form no part of the claimed design.

**1 Claim, 2 Drawing Sheets**

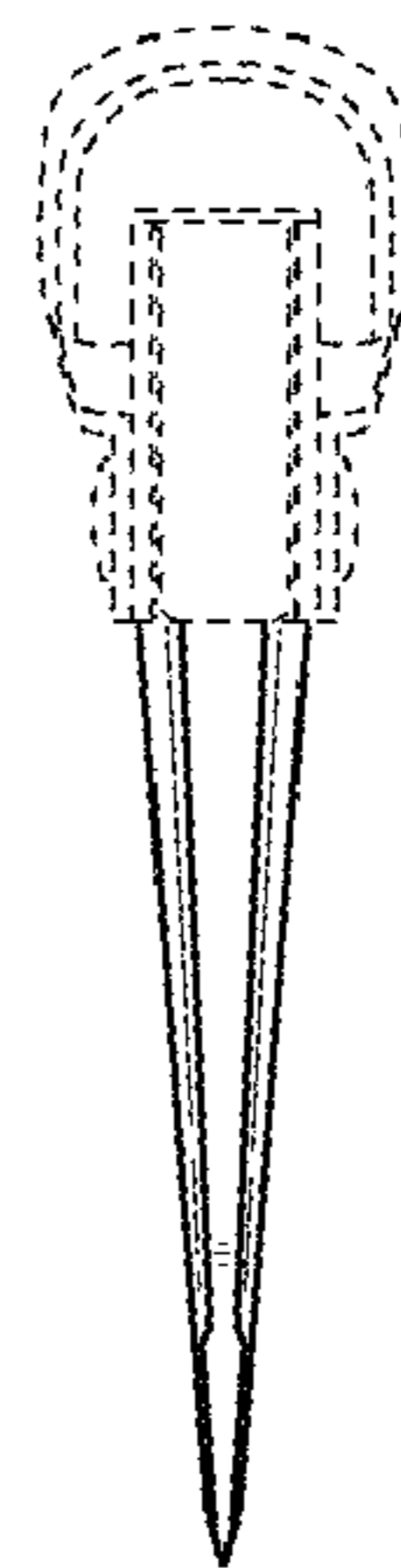




**FIG. 1**



**FIG. 2**



**FIG. 3**

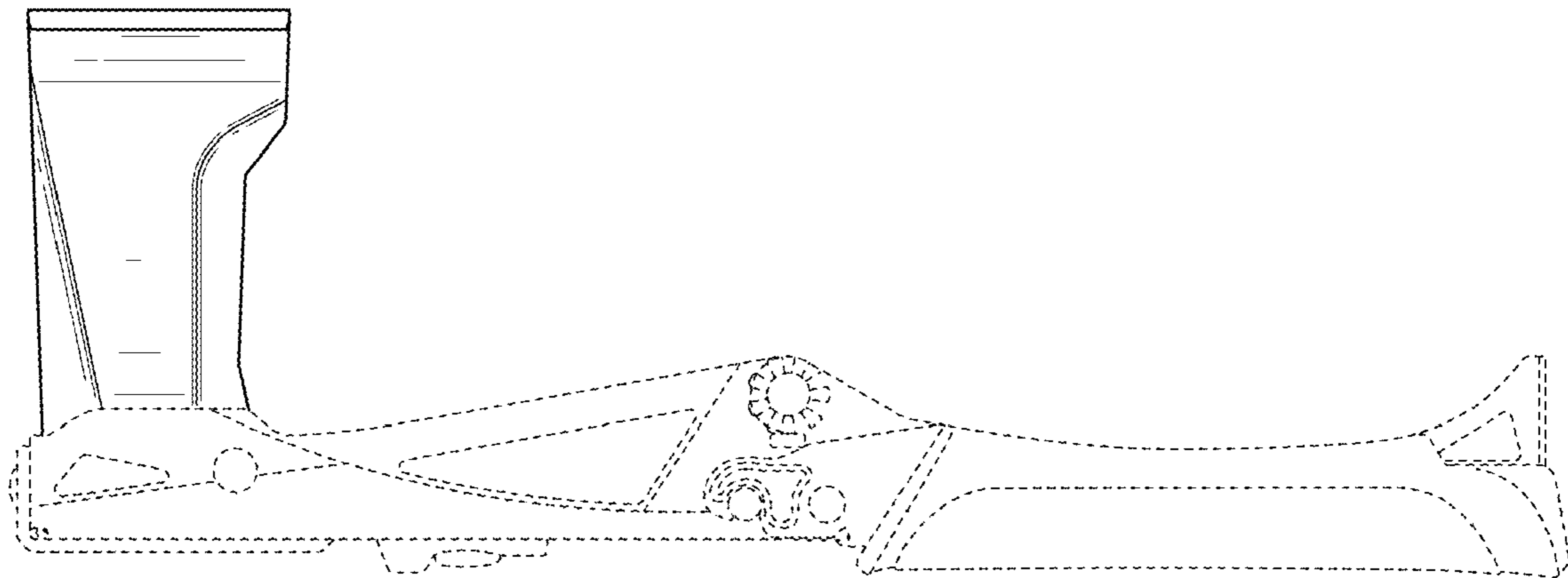


FIG. 4

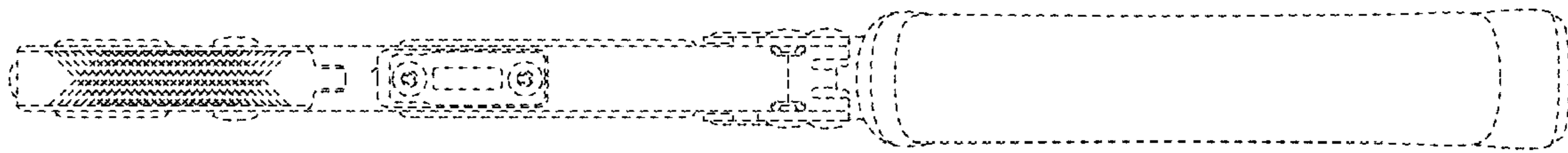


FIG. 5

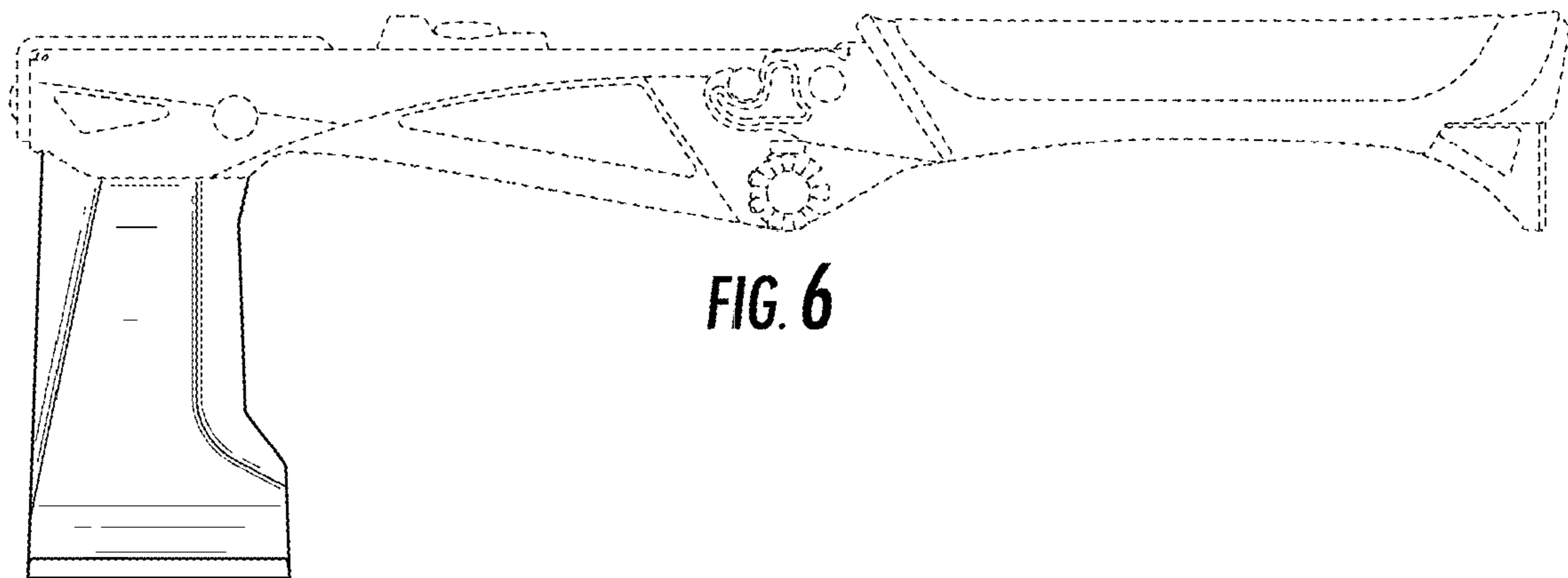


FIG. 6

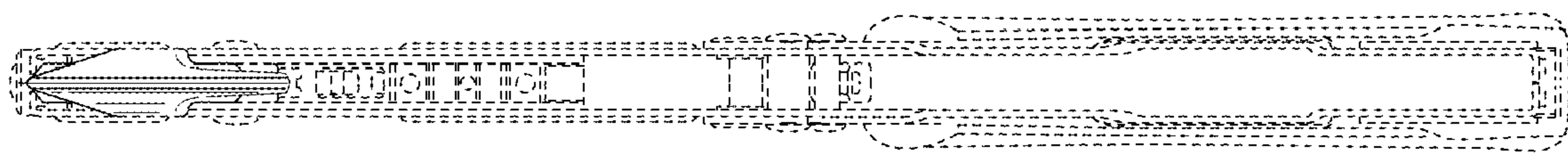


FIG. 7