



US00D595552S

(12) **United States Design Patent**
Taniguchi et al.

(10) **Patent No.:** **US D595,552 S**

(45) **Date of Patent:** **** Jul. 7, 2009**

(54) **PORTABLE ELECTRIC SAW**

(75) Inventors: **Takeshi Taniguchi**, Hitachinaka (JP);
Hitoshi Tsuzuki, Hitachinaka (JP);
Tomoyuki Kawahara, Hitachinaka (JP)

(73) Assignee: **Hitachi Koki Co., Ltd.**, Tokyo (JP)

(**) Term: **14 Years**

(21) Appl. No.: **29/327,818**

(22) Filed: **Nov. 13, 2008**

(30) **Foreign Application Priority Data**

May 16, 2008 (JP) 2008-012279

(51) **LOC (9) Cl.** **08-03**

(52) **U.S. Cl.** **D8/64**

(58) **Field of Classification Search** D8/69,
D8/68, 67, 66, 65, 64, 62, 61; 30/92, 394,
30/393, 392, 377, 376, 371; 74/50, 49; 173/217,
173/216; 83/699.21; 446/145

See application file for complete search history.

(56) **References Cited**

U.S. PATENT DOCUMENTS

D401,128 S * 11/1998 Zurwelle D8/64
D428,786 S * 8/2000 Hayakawa et al. D8/64
D434,627 S * 12/2000 Buck D8/64
D440,849 S * 4/2001 Sakai et al. D8/64
D456,233 S * 4/2002 Main D8/64

D471,417 S * 3/2003 Chunn et al. D8/64
D473,771 S * 4/2003 Hayakawa et al. D8/64
6,568,089 B1 * 5/2003 Popik et al. 30/392
D480,616 S * 10/2003 Welsh D8/64
D534,778 S * 1/2007 Chu D8/64
2004/0098870 A1 * 5/2004 Nemazi et al. 30/392
2005/0022395 A1 * 2/2005 Hirabayashi 30/392
2005/0257382 A1 * 11/2005 Lui et al. 30/392

* cited by examiner

Primary Examiner—Cathron C Brooks

Assistant Examiner—Austin Murphy

(74) *Attorney, Agent, or Firm*—Sughrue Mion, PLLC

(57) **CLAIM**

The ornamental design for a portable electric saw, as shown and described.

DESCRIPTION

FIG. 1 is a left side perspective view of the portable electric saw according to the present invention;

FIG. 2 is a right side perspective view thereof;

FIG. 3 is a left side view thereof;

FIG. 4 is a right side view thereof;

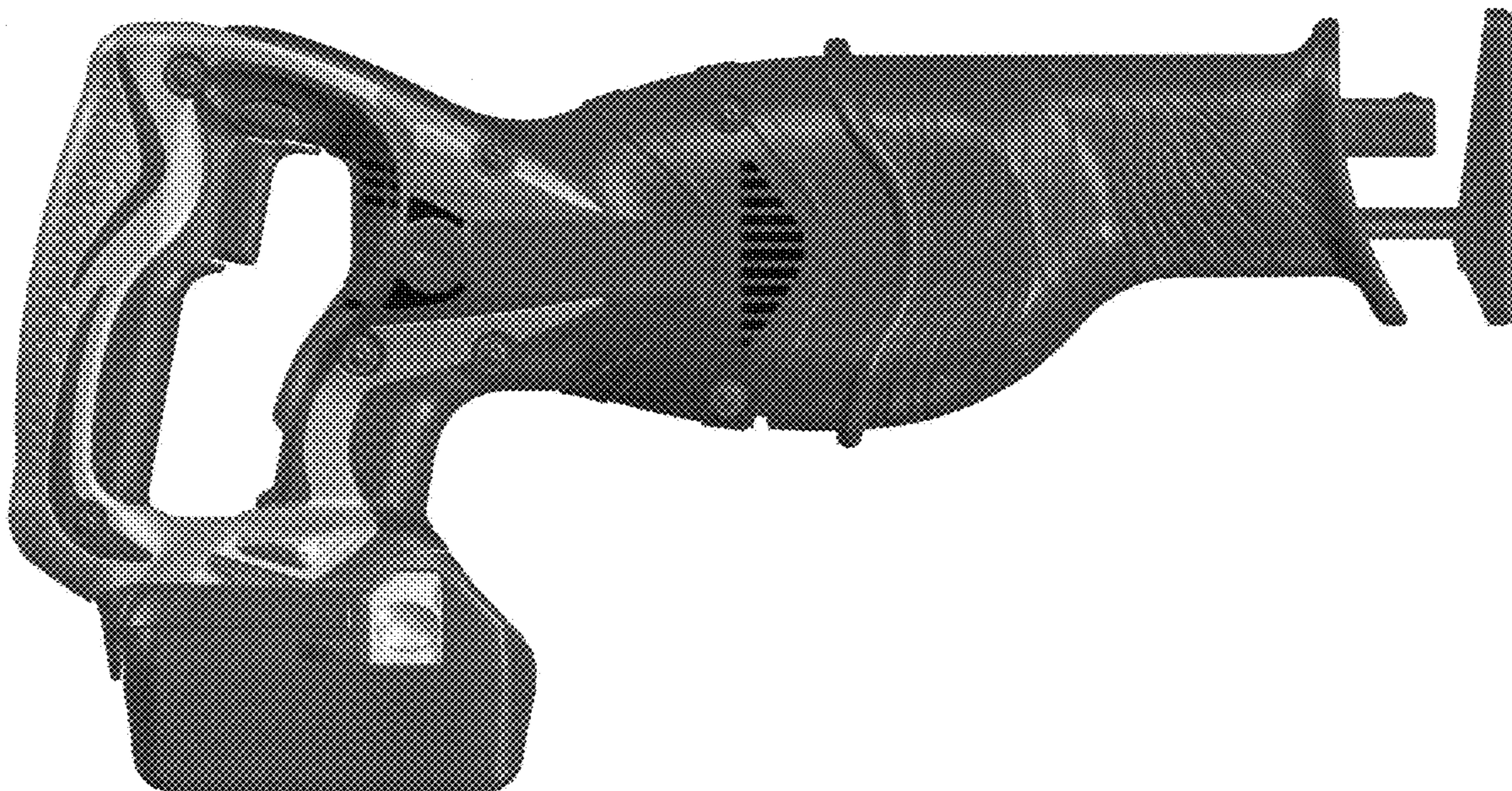
FIG. 5 is a front end view thereof;

FIG. 6 is a rear end view thereof;

FIG. 7 is a top view thereof; and,

FIG. 8 is a bottom view thereof.

1 Claim, 6 Drawing Sheets



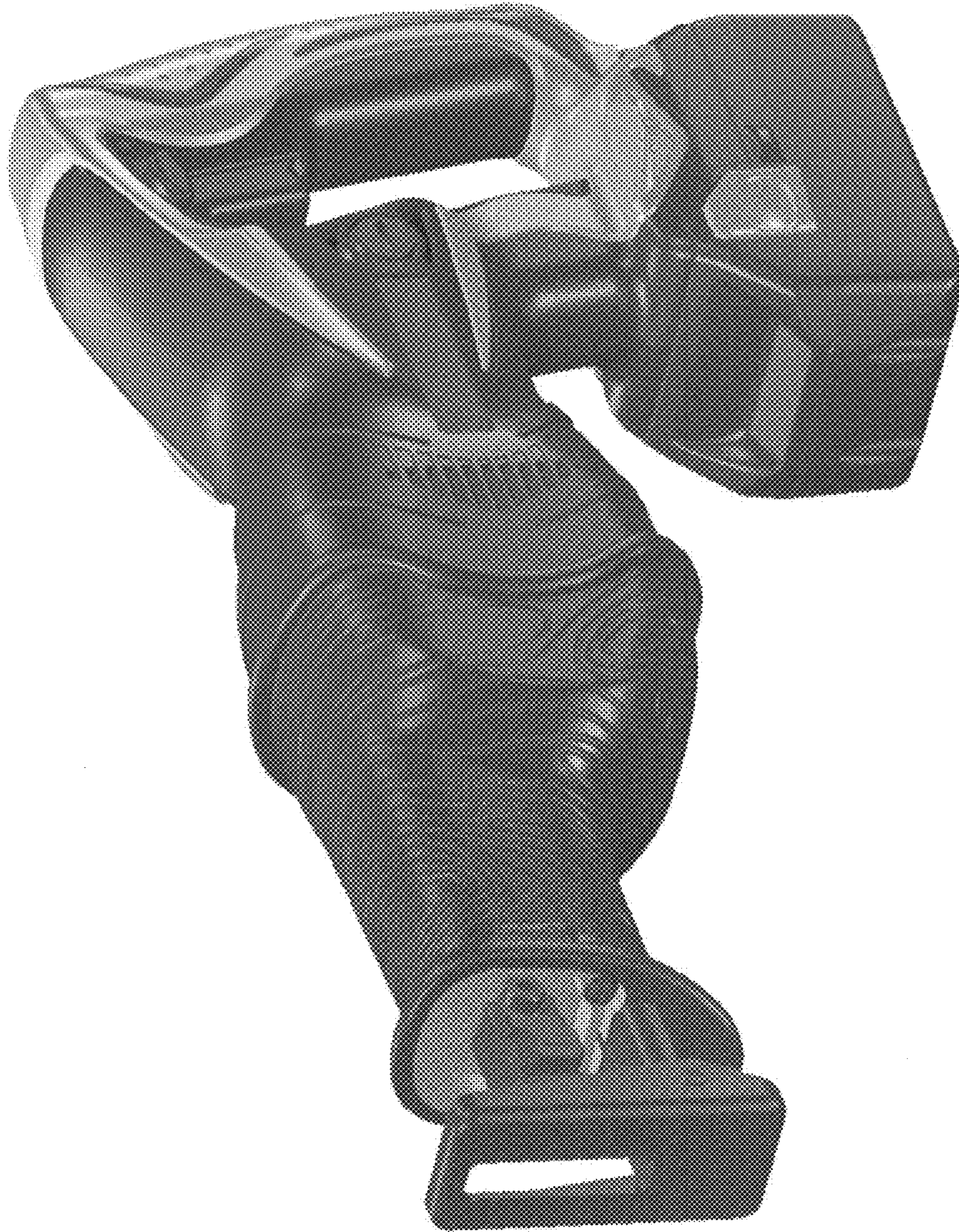


FIG. 1



FIG. 2



FIG. 3

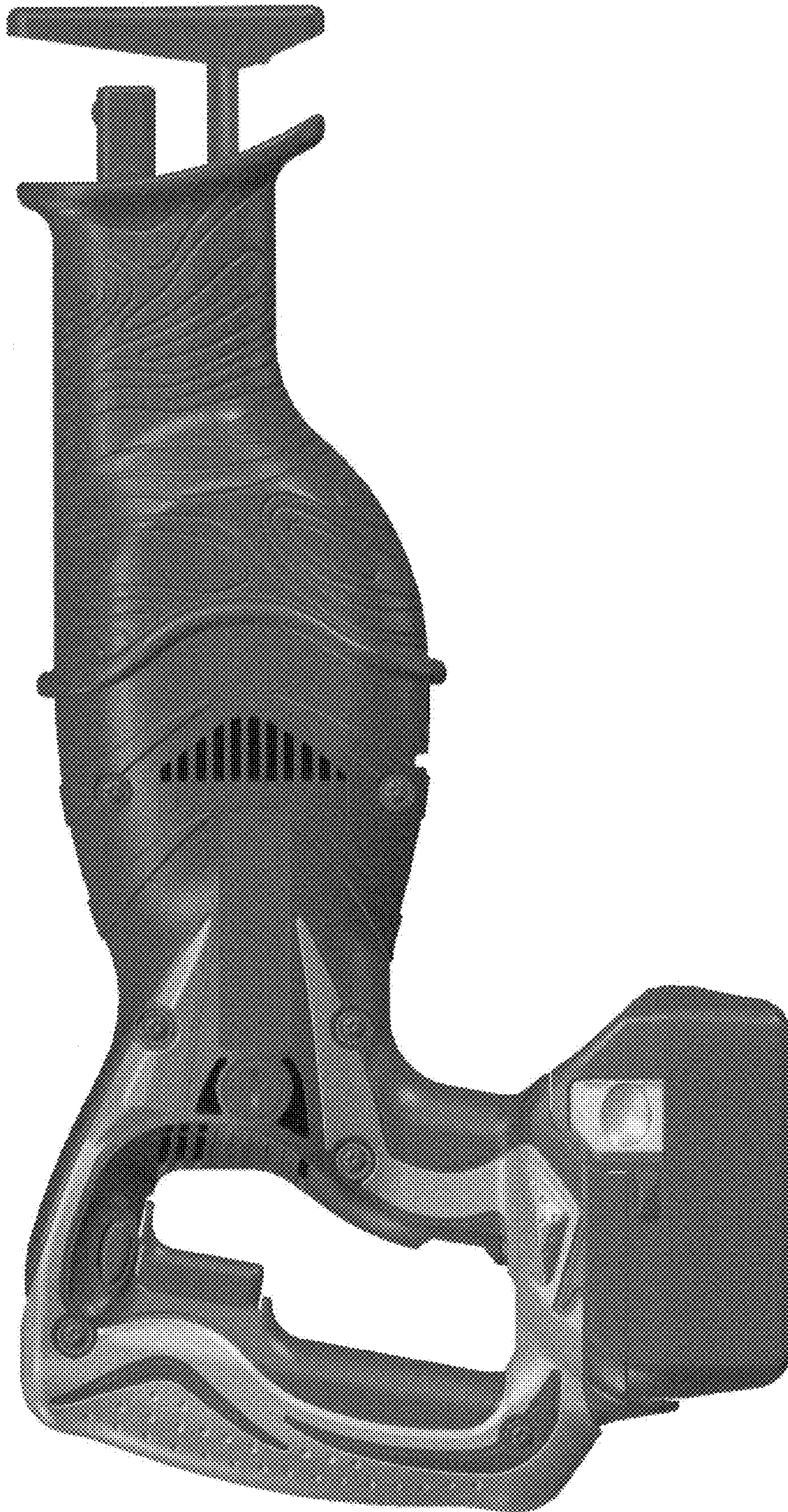


FIG. 4

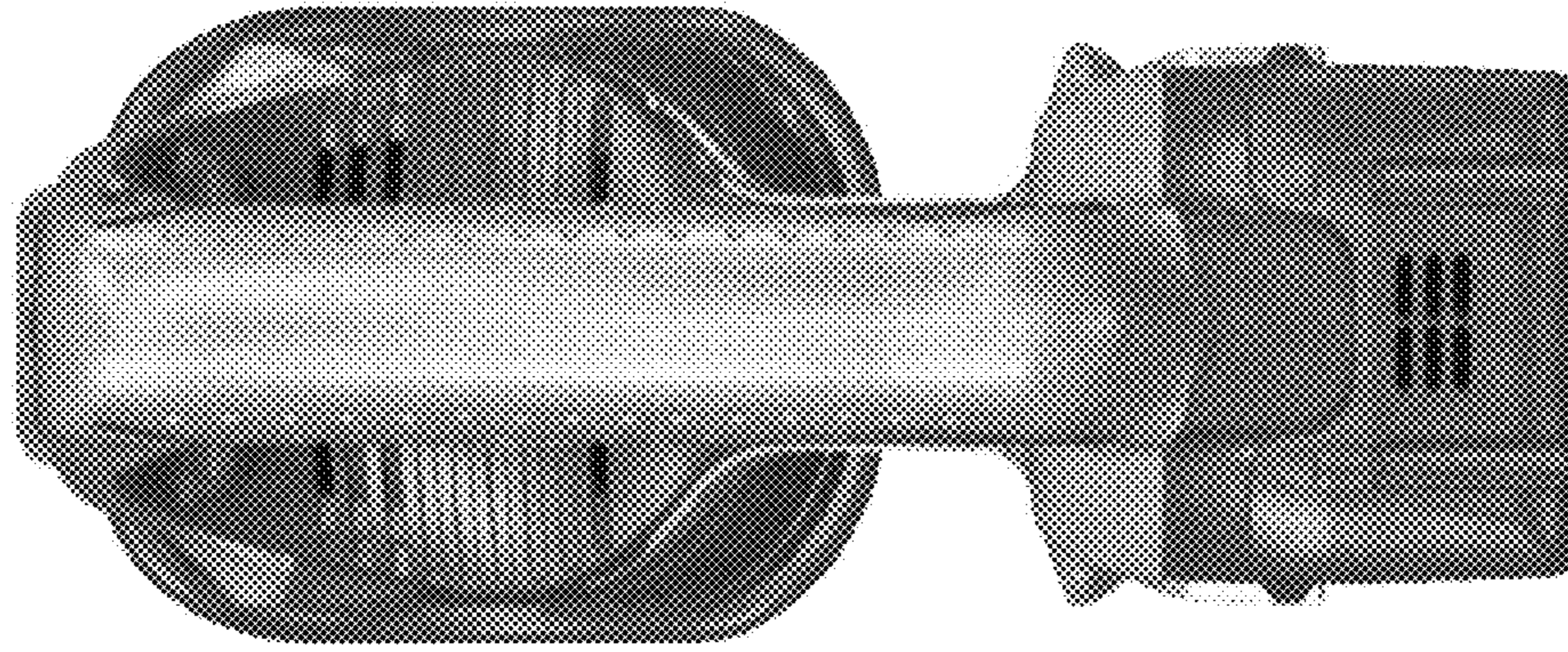


FIG. 6

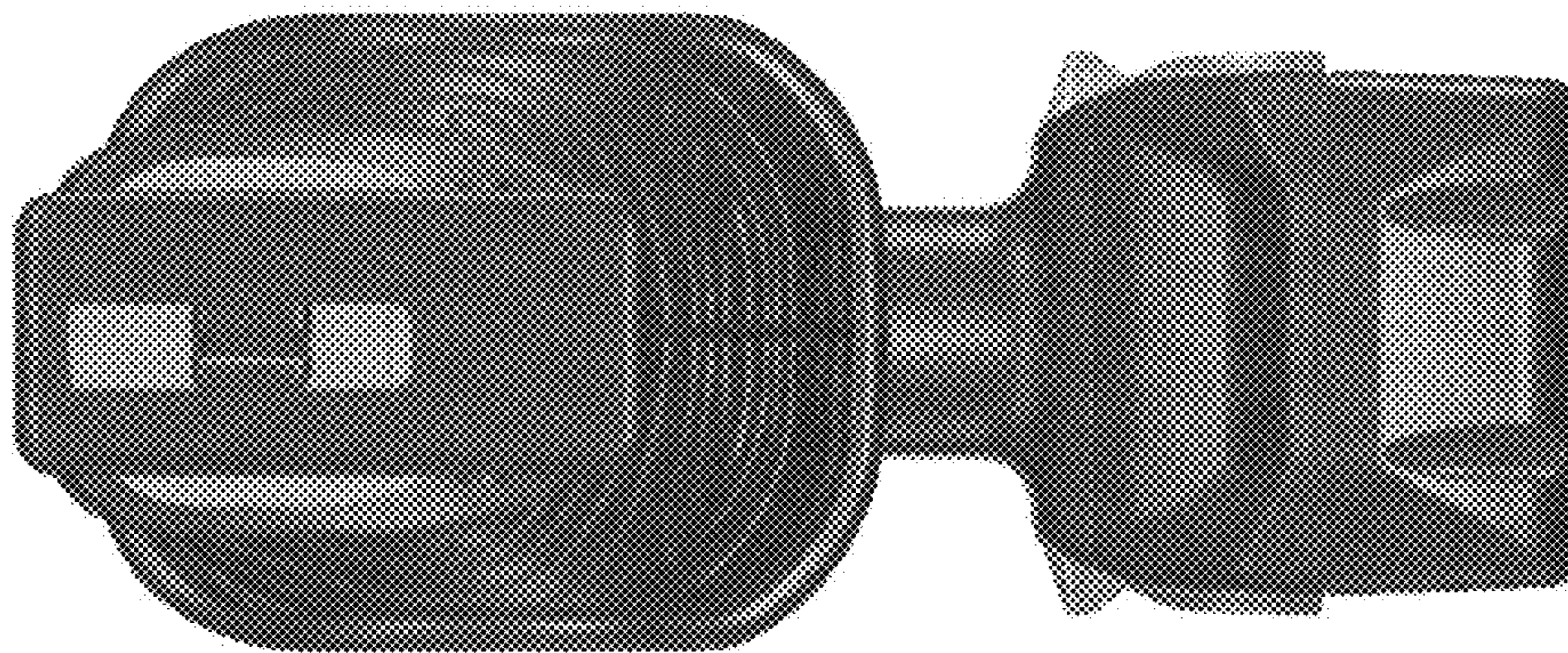


FIG. 5

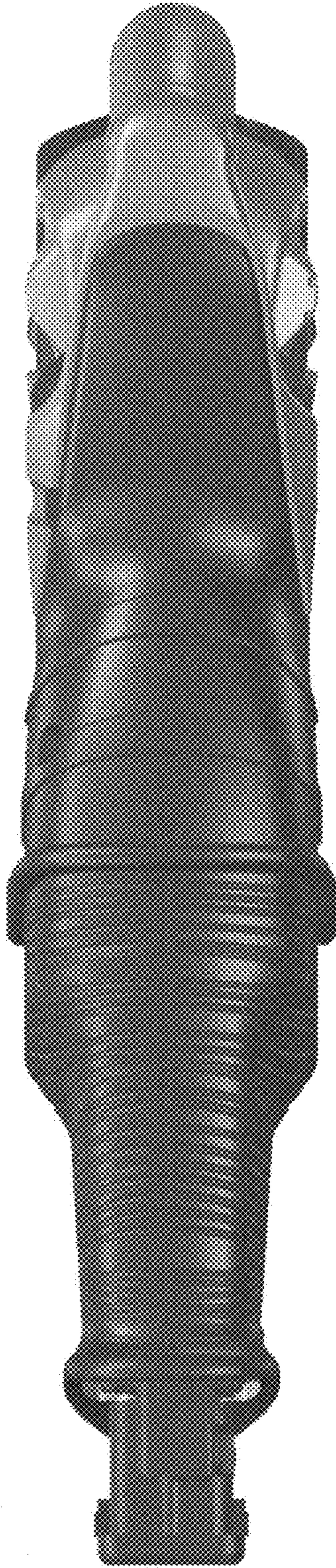


FIG. 7

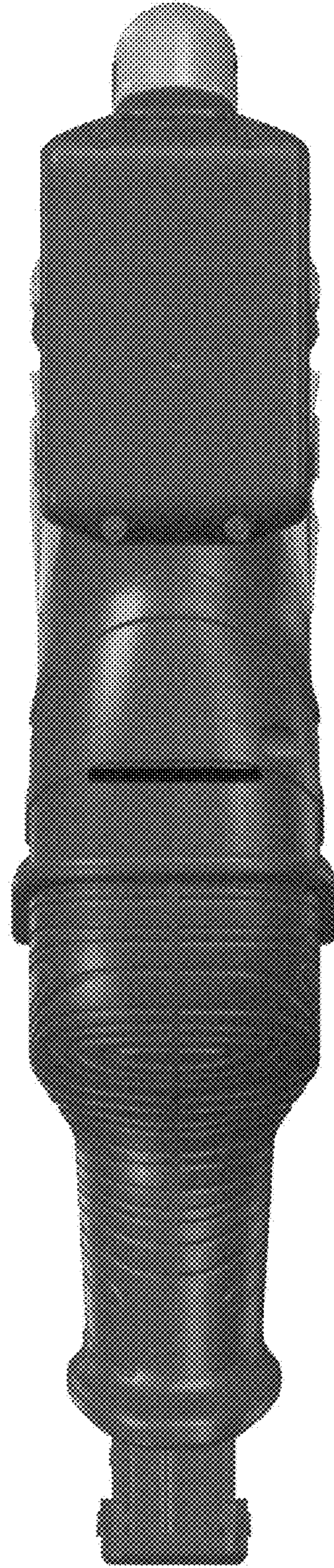


FIG. 8