



US00D595547S

(12) **United States Design Patent**
Sanchez et al.

(10) **Patent No.:** **US D595,547 S**
(45) **Date of Patent:** **** Jul. 7, 2009**

(54) **VEGETABLE PEELING APPARATUS**

(75) Inventors: **Annette Sanchez**, Roseville, CA (US);
Daniel Bizzell, Davidson, NC (US)

(73) Assignee: **Hometiquette Inc.**, Roseville, CA (US)

(**) Term: **14 Years**

(21) Appl. No.: **29/297,136**

(22) Filed: **Nov. 5, 2007**

(51) **LOC (9) Cl.** **07-02**

(52) **U.S. Cl.** **D7/693**

(58) **Field of Classification Search** D7/360,
D7/392.1, 538, 542, 545, 546, 555, 560, 601,
D7/602, 543, 548, 552.1-554.4, 584, 586-588,
D7/394, 585, 571; D9/430, 431, 433, 702,
D9/703, 655-657; 220/608, 574; 211/74;
229/106

See application file for complete search history.

(56) **References Cited**

U.S. PATENT DOCUMENTS

265,748	A	10/1882	Brock	
918,893	A	4/1909	Nielsen	
2,912,755	A	11/1959	Twyman	
4,369,574	A	1/1983	Hsien-Sen	
D332,034	S *	12/1992	Viemeister	D7/695
5,251,377	A	10/1993	Ho	
5,471,746	A	12/1995	Agrimis	
D373,506	S *	9/1996	Viemeister	D7/395
D390,428	S *	2/1998	Chen	D7/695

D446,428	S *	8/2001	Stewart et al.	D7/695
D451,772	S *	12/2001	Tseng	D7/695
D461,691	S *	8/2002	Huang et al.	D7/693
D488,683	S *	4/2004	Overthun et al.	D7/695
6,834,579	B2	12/2004	Kuan	
D509,712	S *	9/2005	Lee	D7/695
D573,854	S *	7/2008	Dunne et al.	D7/693

FOREIGN PATENT DOCUMENTS

JP	2004-174177	6/2004
WO	WO2006131005	12/2006

* cited by examiner

Primary Examiner—Ian Simmons

Assistant Examiner—Charles D Hanson

(74) *Attorney, Agent, or Firm*—Law Offices of David M. Lang; David M. Lang

(57) **CLAIM**

The ornamental design for vegetable peeling apparatus, as shown and described.

DESCRIPTION

FIG. 1 is a front perspective view of a vegetable peeling apparatus showing our new design;

FIG. 2 is a rear perspective view thereof;

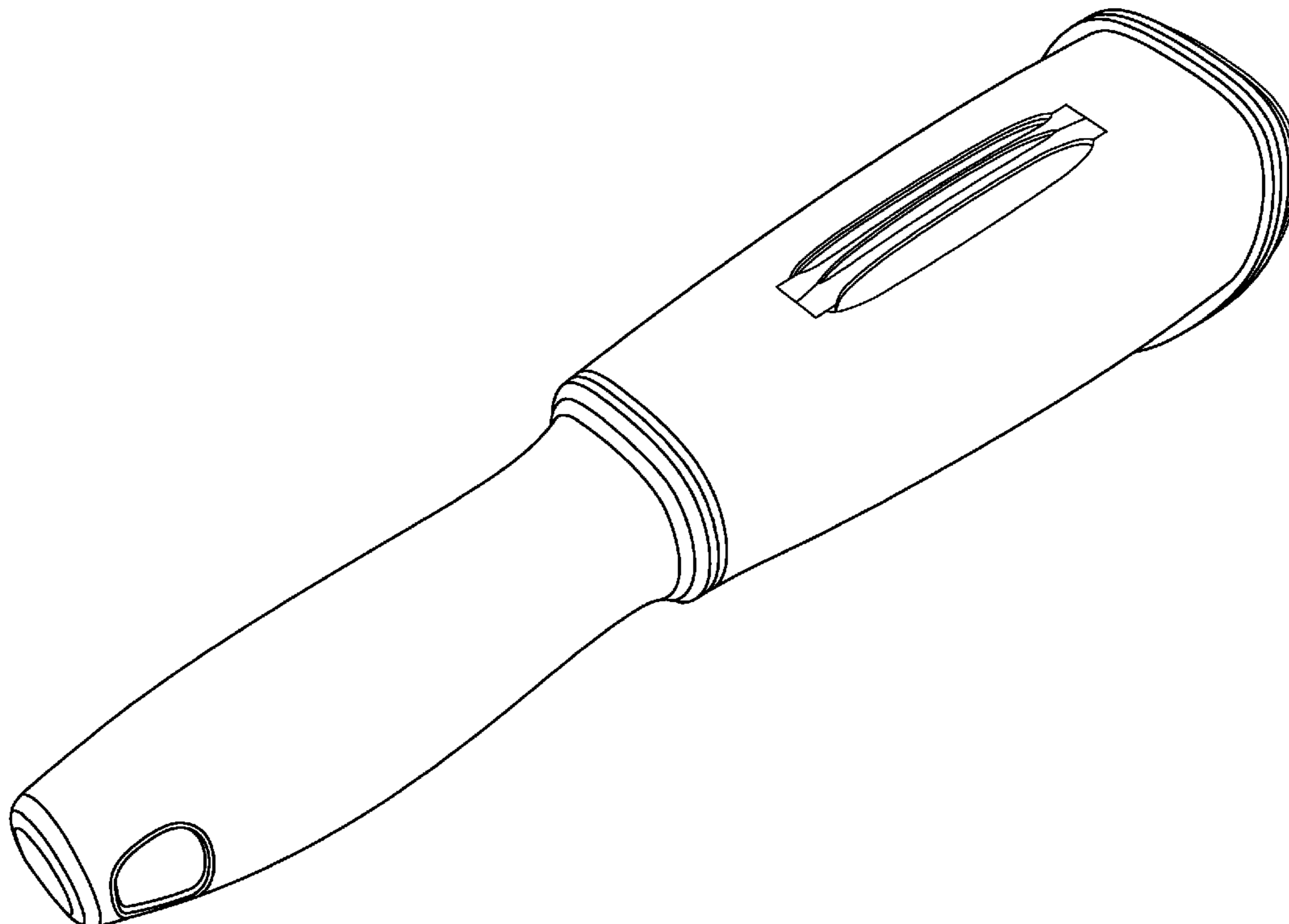
FIG. 3 is a side perspective view thereof;

FIG. 4 is a top view thereof;

FIG. 5 is a front elevation view thereof; and,

FIG. 6 is a side elevation view thereof.

1 Claim, 6 Drawing Sheets



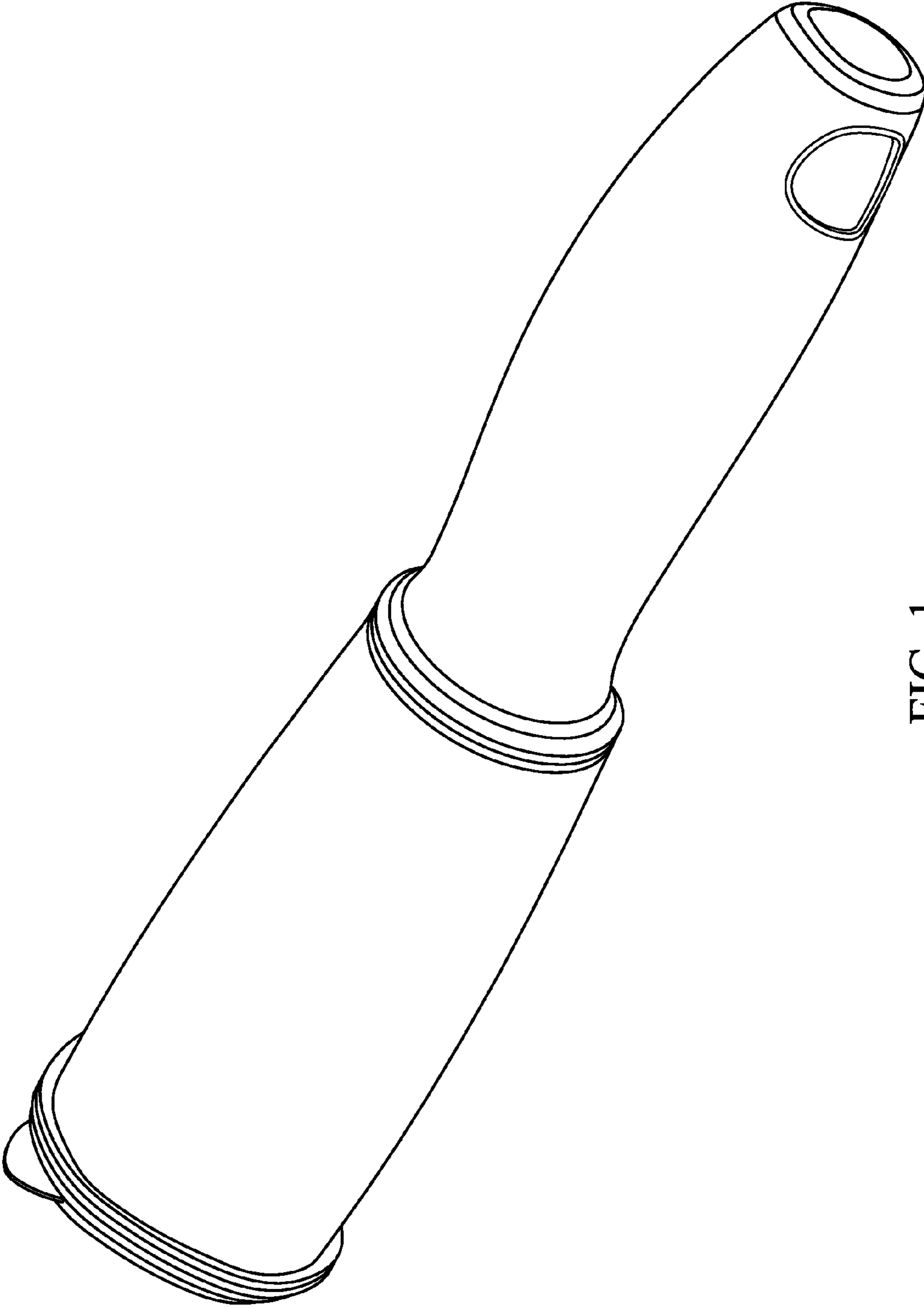


FIG. 1

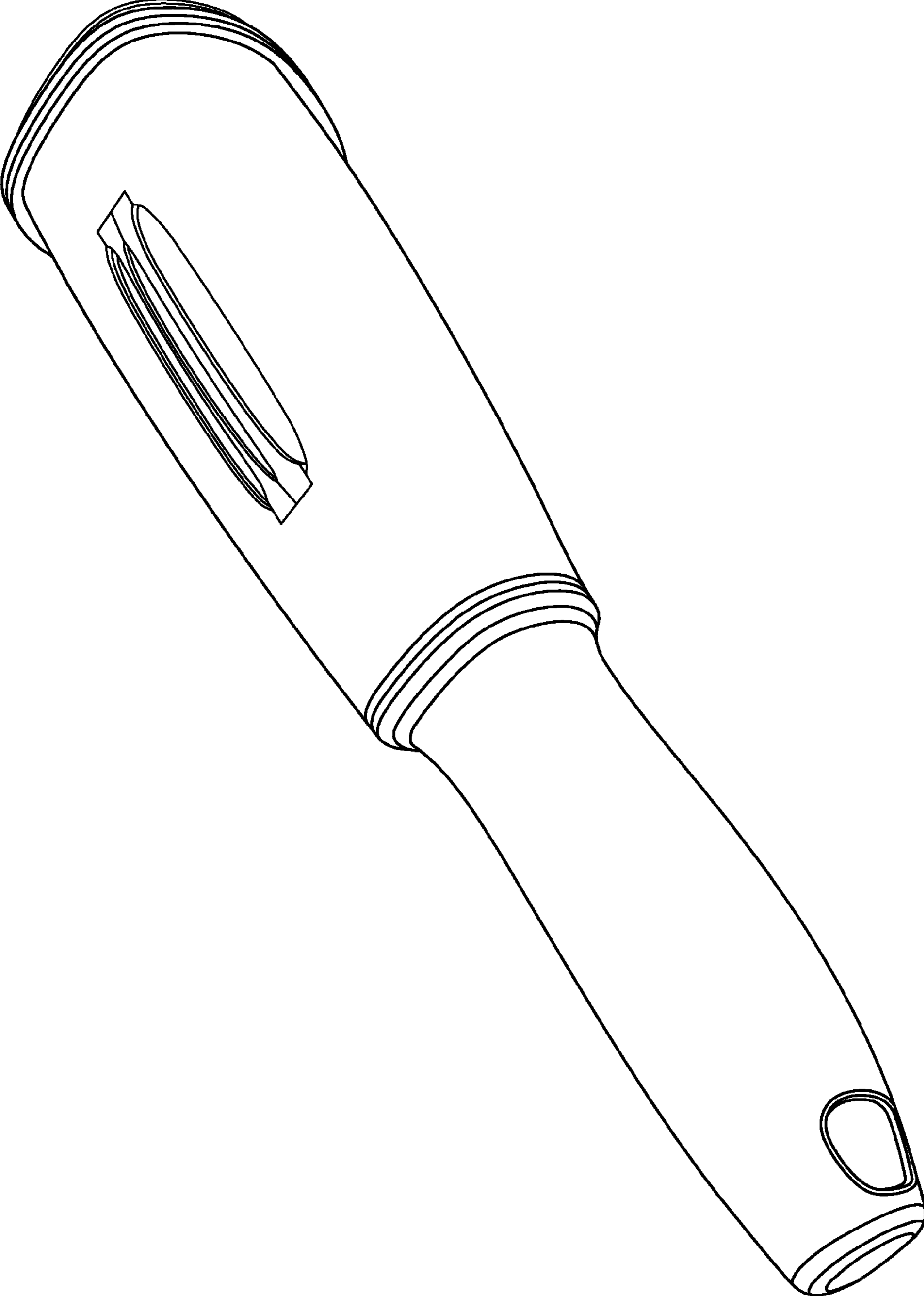


FIG. 2

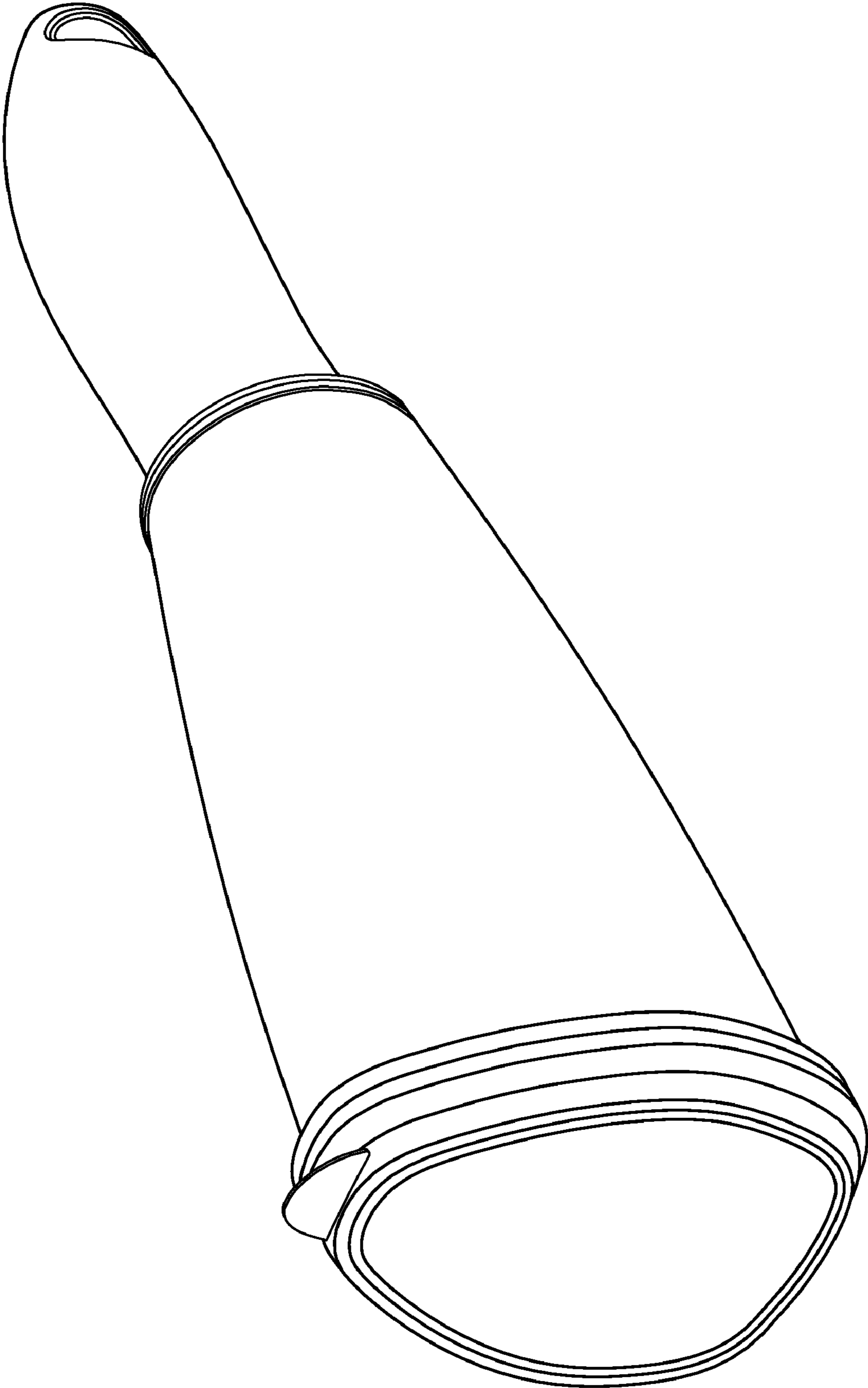


FIG. 3

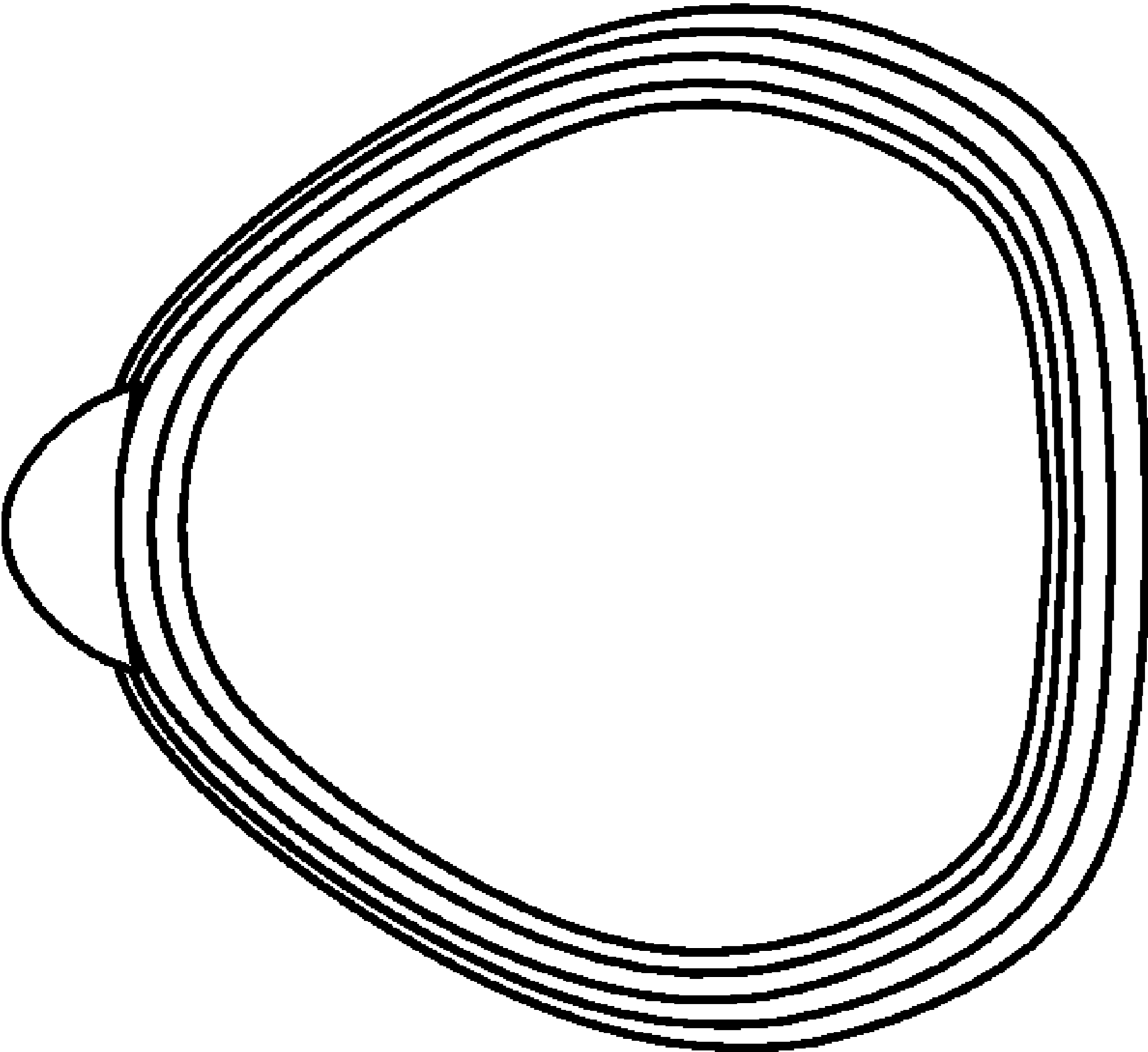


FIG. 4

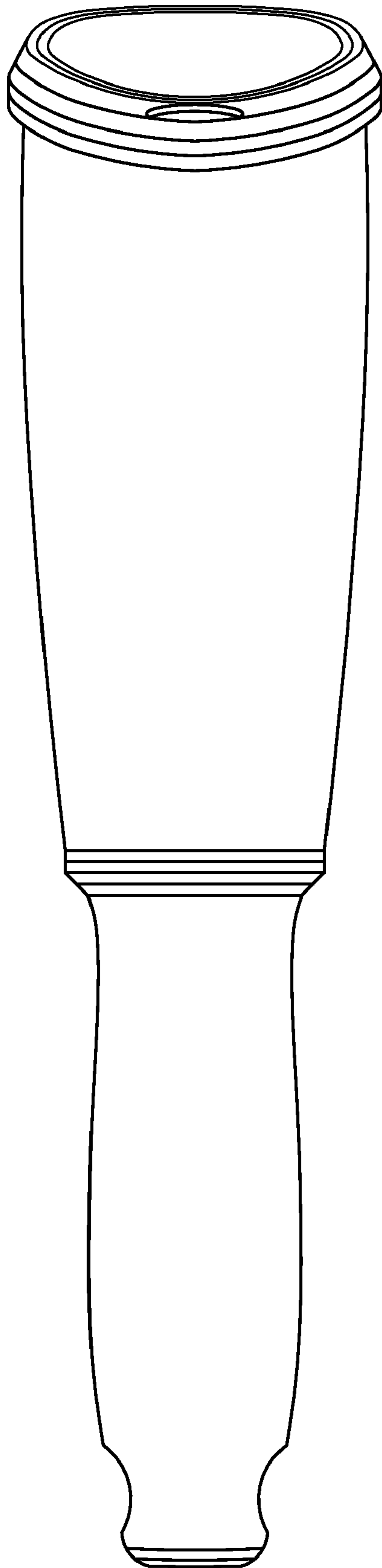


FIG. 5

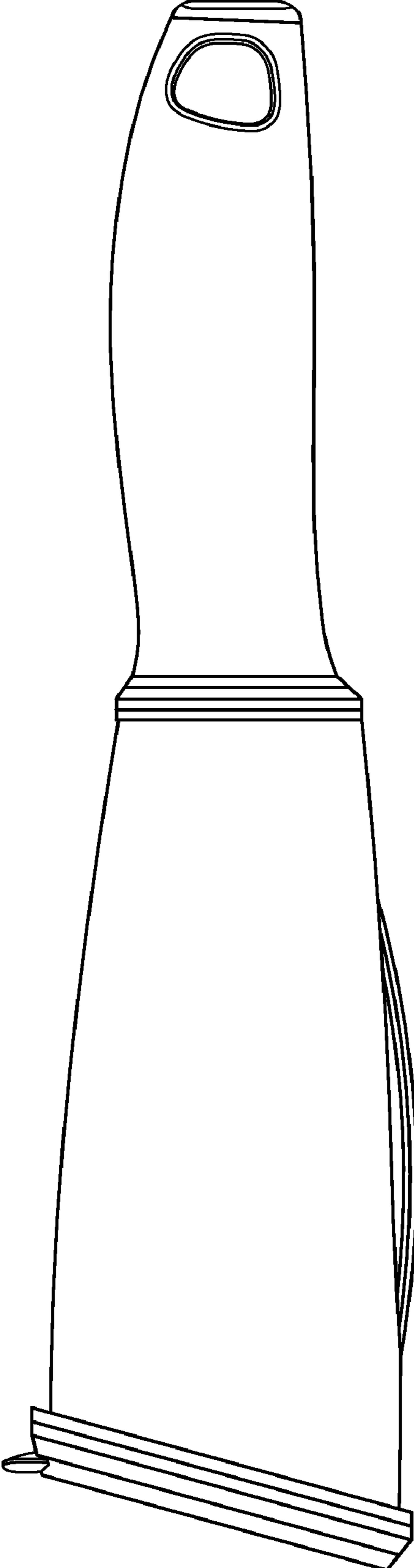


FIG. 6