



US00D595539S

(12) **United States Design Patent**
Starck

(10) **Patent No.:** **US D595,539 S**
(45) **Date of Patent:** **** Jul. 7, 2009**

- (54) **CUP**
- (75) Inventor: **Philippe Starck, Paris (FR)**
- (73) Assignee: **International Plastic Industrie (FR)**
- (**) Term: **14 Years**
- (21) Appl. No.: **29/292,836**
- (22) Filed: **Oct. 30, 2007**

Related U.S. Application Data

- (62) Division of application No. 29/263,654, filed on Jul. 27, 2006, now Pat. No. Des. 566,467.

Foreign Application Priority Data

- (30) Jan. 30, 2006 (EM) 000470943

- (51) **LOC (9) Cl.** **07-01**
- (52) **U.S. Cl.** **D7/509; D7/523; D7/624.1**
- (58) **Field of Classification Search** **D7/523, D7/509, 624.2, 619.1, 316, 300, 387, 392.1, D7/305, 400, 538; 220/737, 630, 23.83; 248/311.2; 215/395; D24/121; D9/423-431**
See application file for complete search history.

References Cited

U.S. PATENT DOCUMENTS

- D192,814 S * 5/1962 Sinalko D7/624.2
- D217,781 S * 6/1970 Stone D7/523
- D222,375 S * 10/1971 Boncik D7/523
- D224,797 S * 9/1972 Thrub D7/523
- D242,200 S * 11/1976 Ashton D7/523
- D246,086 S * 10/1977 Graves D7/624.2
- D274,695 S * 7/1984 Kennedy D9/503
- D282,997 S * 3/1986 Miller D7/523

- D298,719 S * 11/1988 Beckerer, Jr. D7/624.2
- D303,199 S * 9/1989 Parsons D7/624.1
- 5,088,673 A * 2/1992 Chandler 248/311.2
- 5,174,534 A * 12/1992 Mitchell 248/311.2
- D332,891 S * 2/1993 Cumberland D7/619.1
- D361,017 S * 8/1995 Keven D7/619.1
- D370,392 S * 6/1996 Flanagan D7/619.1
- D377,091 S * 12/1996 Scott, Sr. D24/121
- D397,915 S * 9/1998 McNaughton D7/619.1
- D400,398 S * 11/1998 McNaughton D7/513
- D400,763 S * 11/1998 Taylor et al. D7/619.1
- D467,044 S * 12/2002 Tangolics D30/129
- 6,543,637 B1 * 4/2003 Osborn 220/737
- D543,790 S * 6/2007 Szymanski D7/607
- D555,979 S * 11/2007 Mansfield D7/523
- D568,685 S * 5/2008 Bodum D7/523

* cited by examiner

Primary Examiner—Marianne Pandozzi
(74) *Attorney, Agent, or Firm*—Gerald E. Hespos; Anthony J. Casella

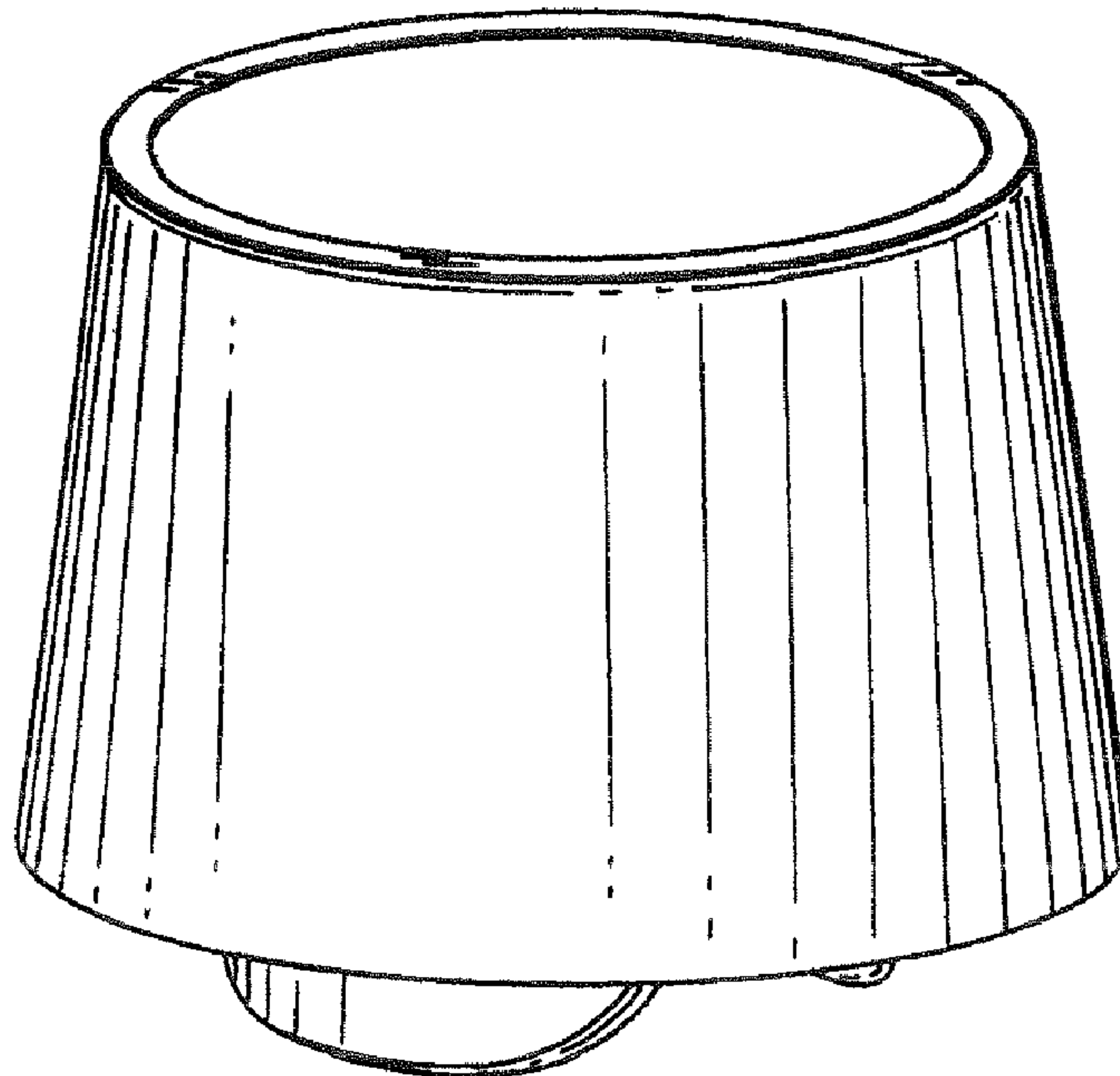
(57) **CLAIM**

The ornamental design for a cup, as shown and described.

DESCRIPTION

- FIG. 1 is a perspective view of a cup in accordance with the invention.
- FIG. 2 is a front elevational view of the cup;
- FIG. 3 is a rear elevational view of the cup;
- FIG. 4 is a right side elevational view of the cup;
- FIG. 5 is a left side elevational view of the cup;
- FIG. 6 is a bottom plan view of the cup; and,
- FIG. 7 is a top plan view of the cup.

1 Claim, 3 Drawing Sheets



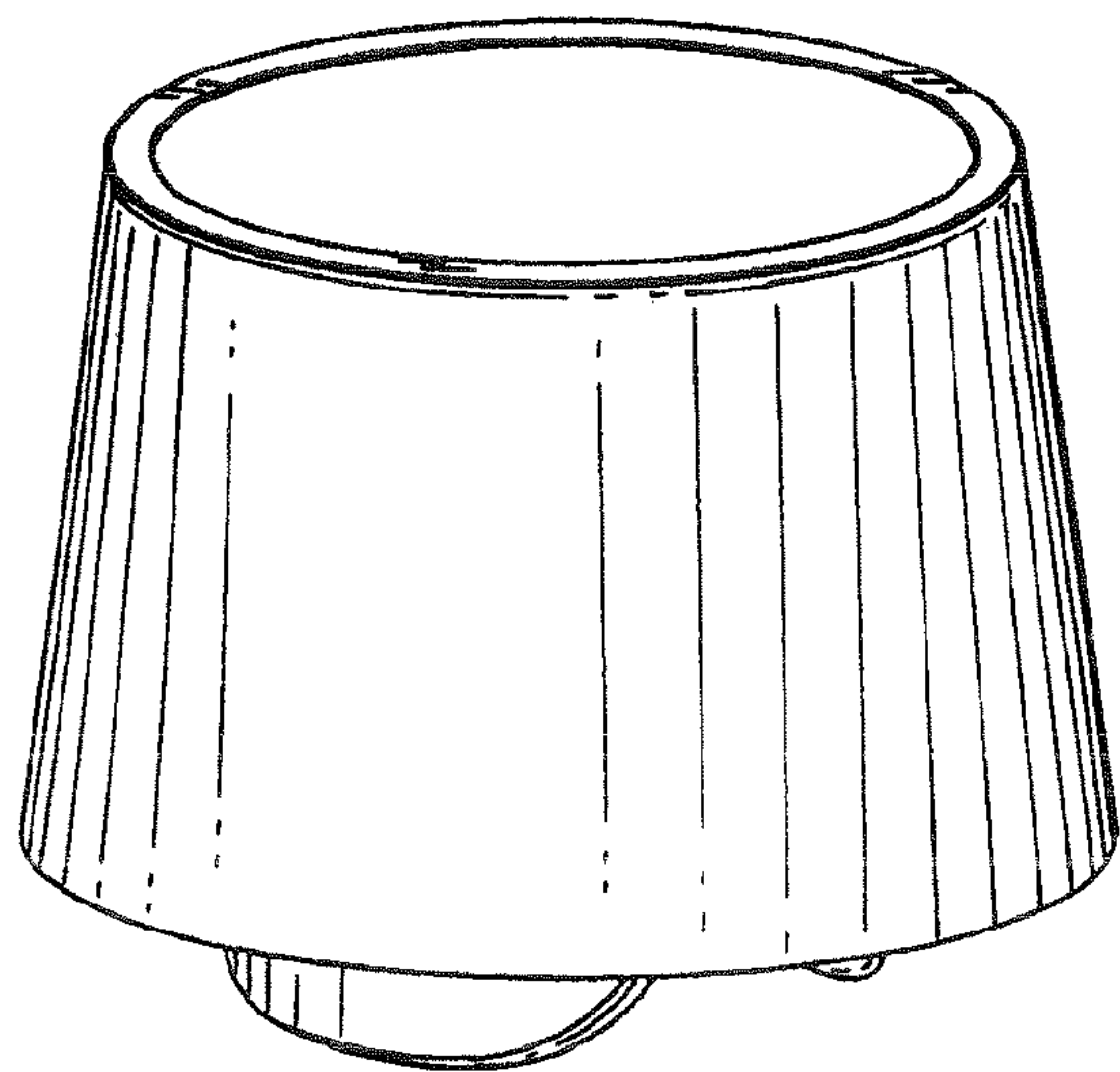


FIG. 1

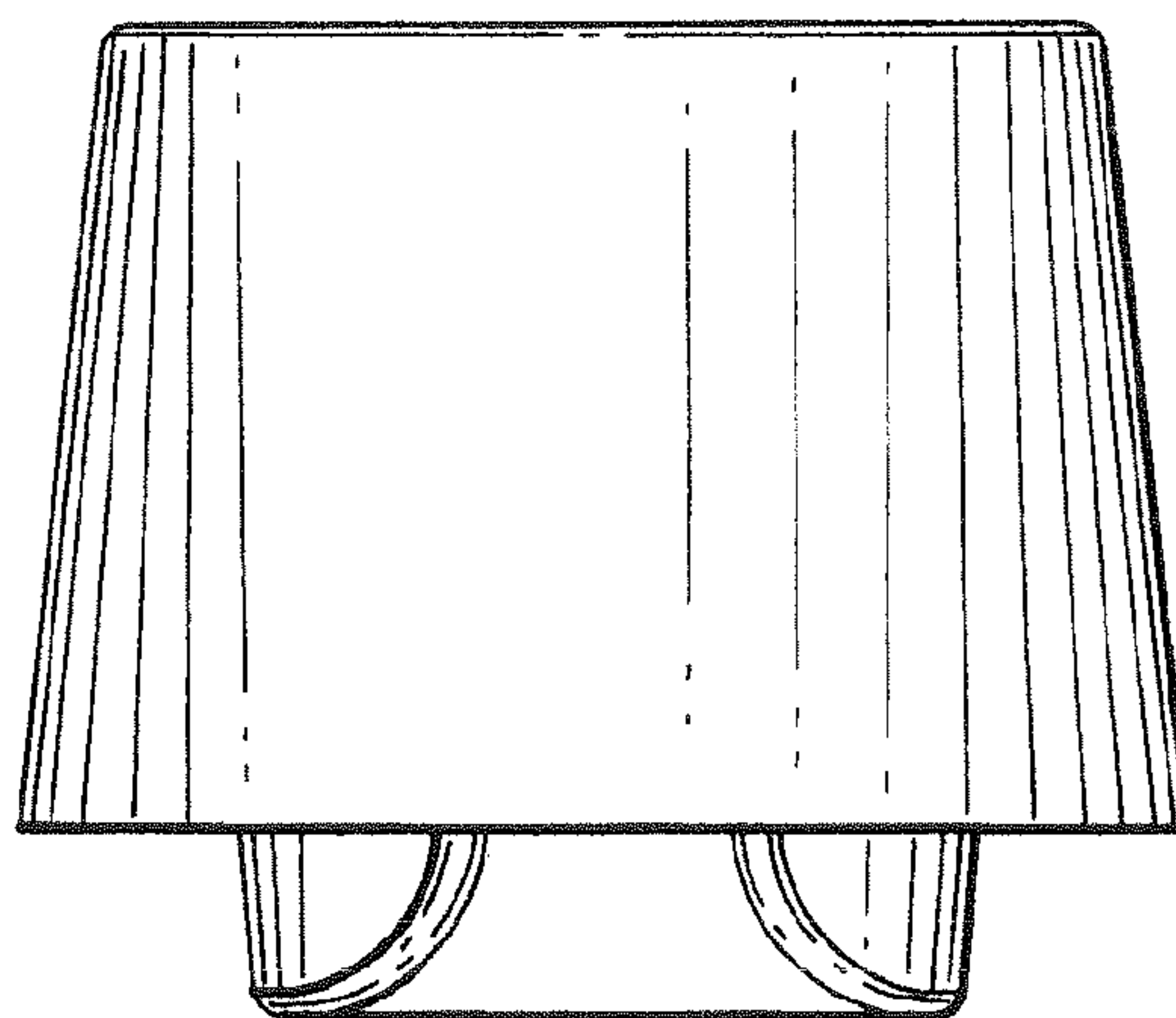


FIG. 2

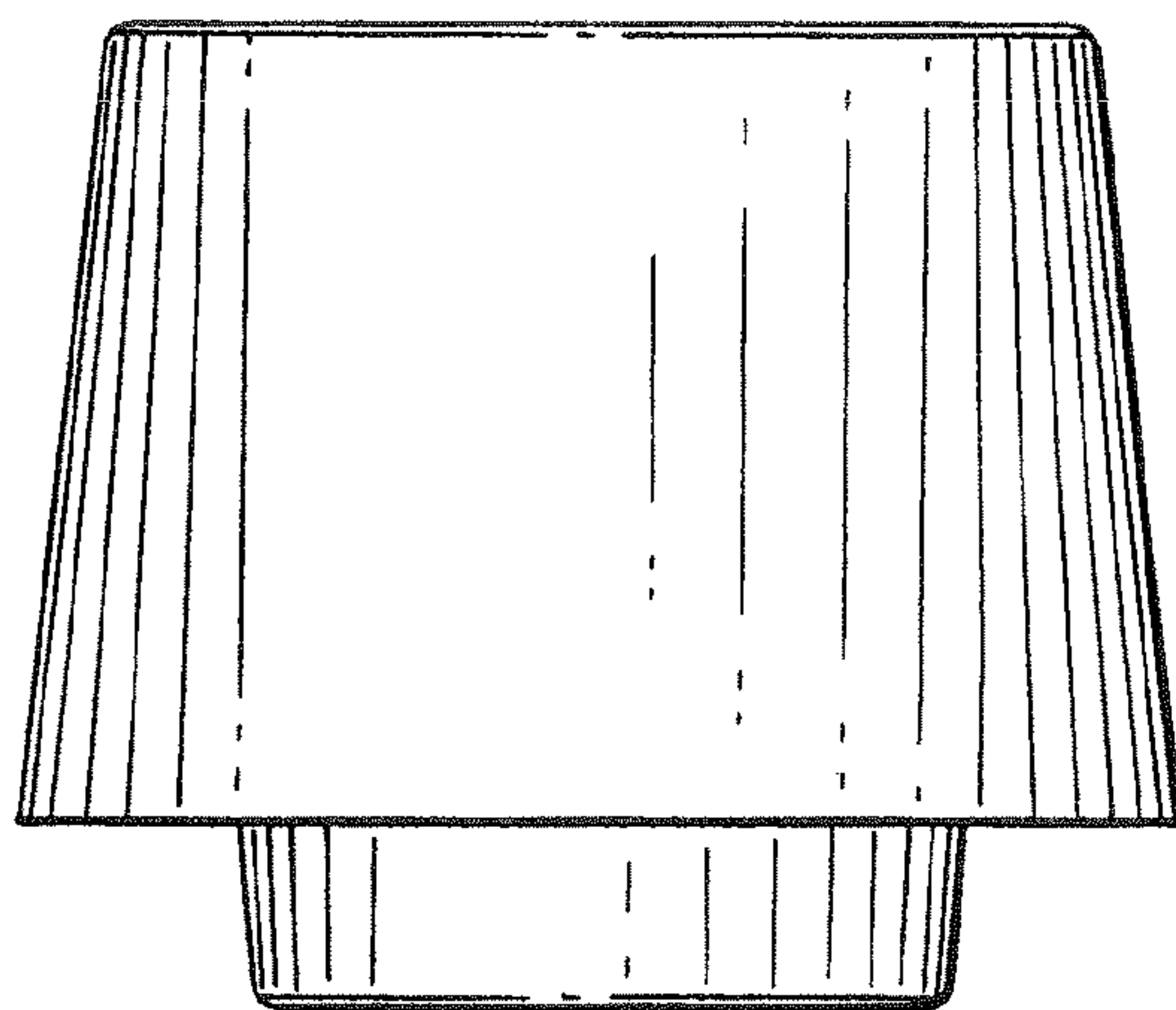


FIG. 3

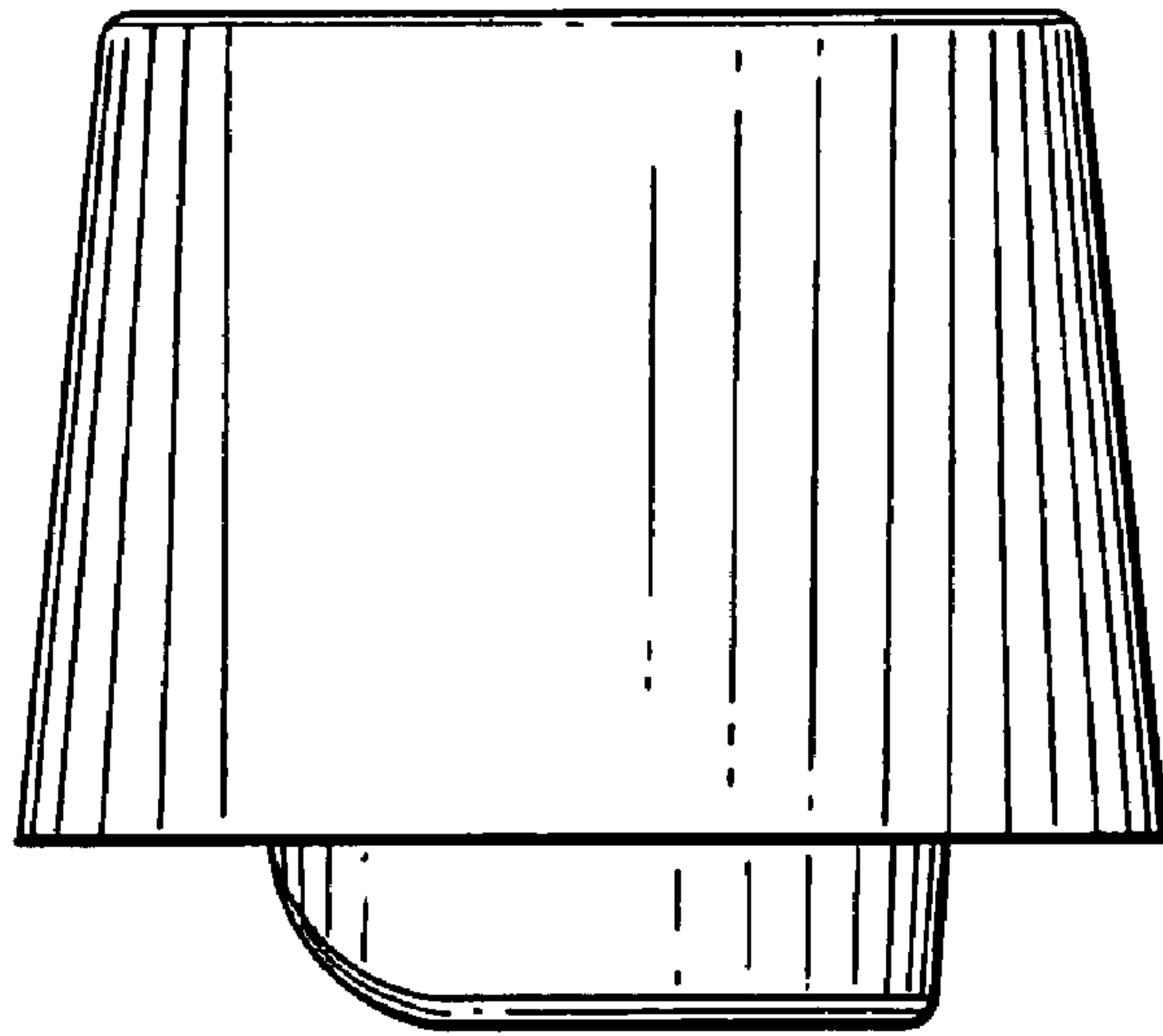


FIG. 4

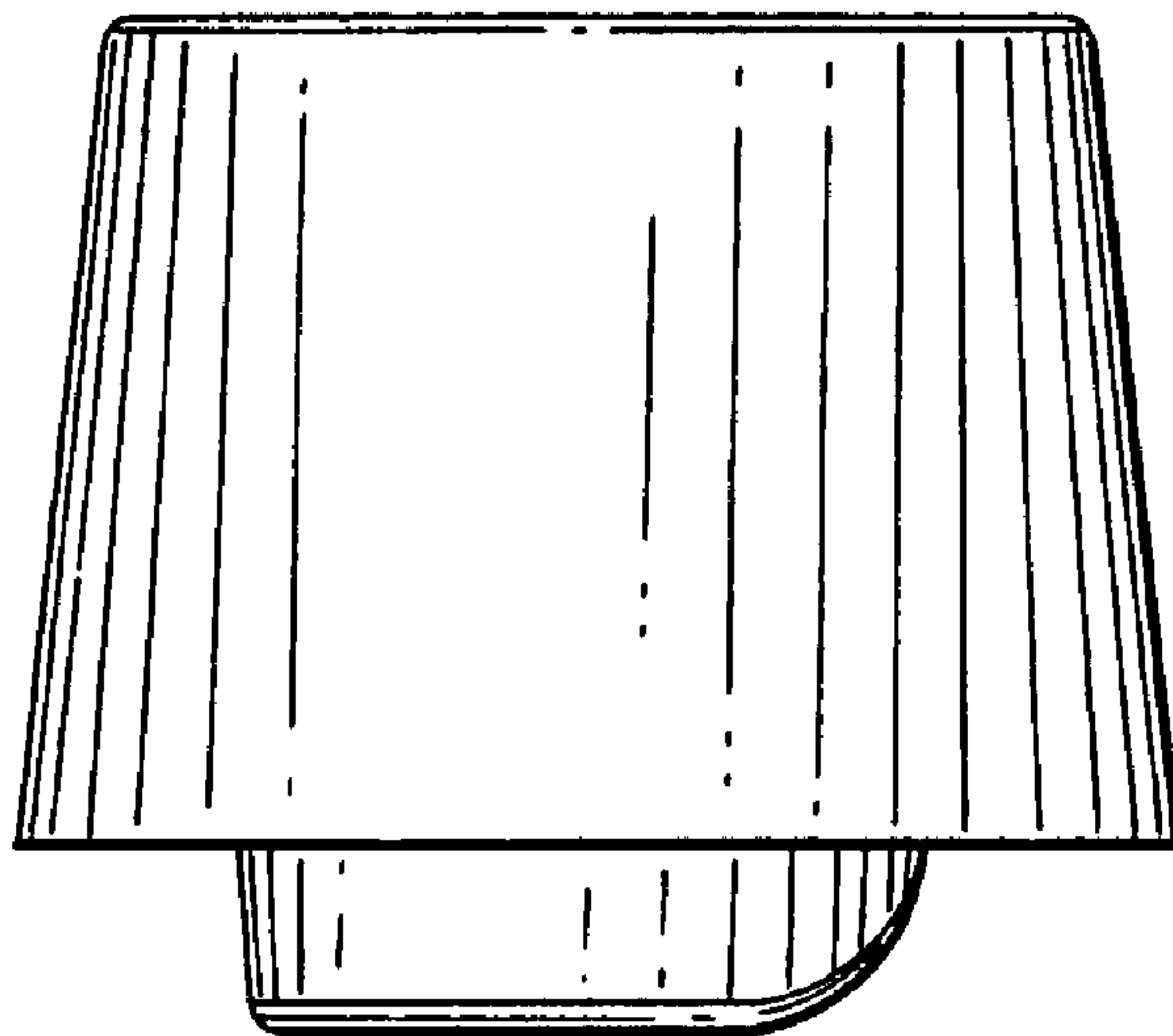


FIG. 5

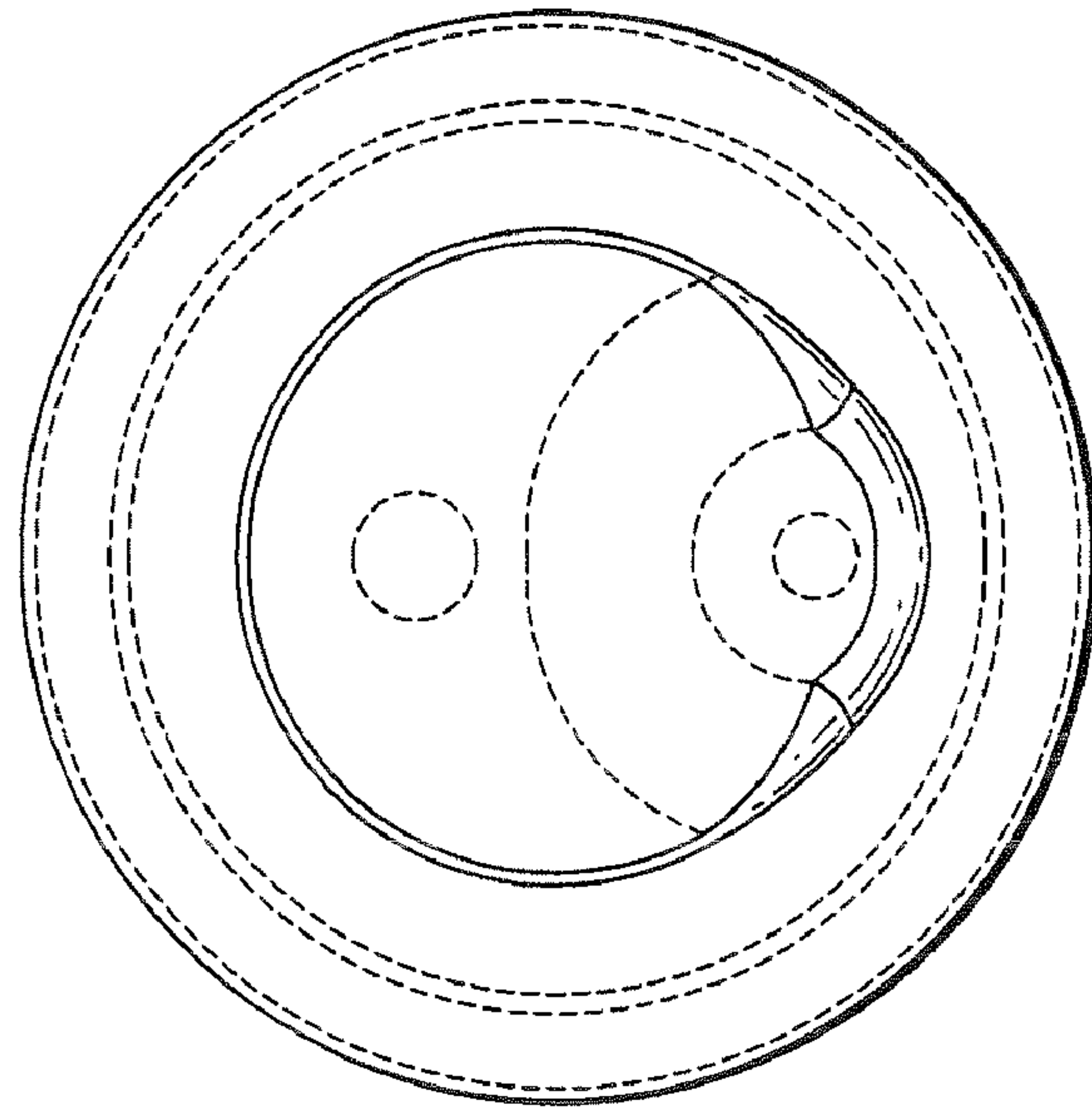


FIG. 6

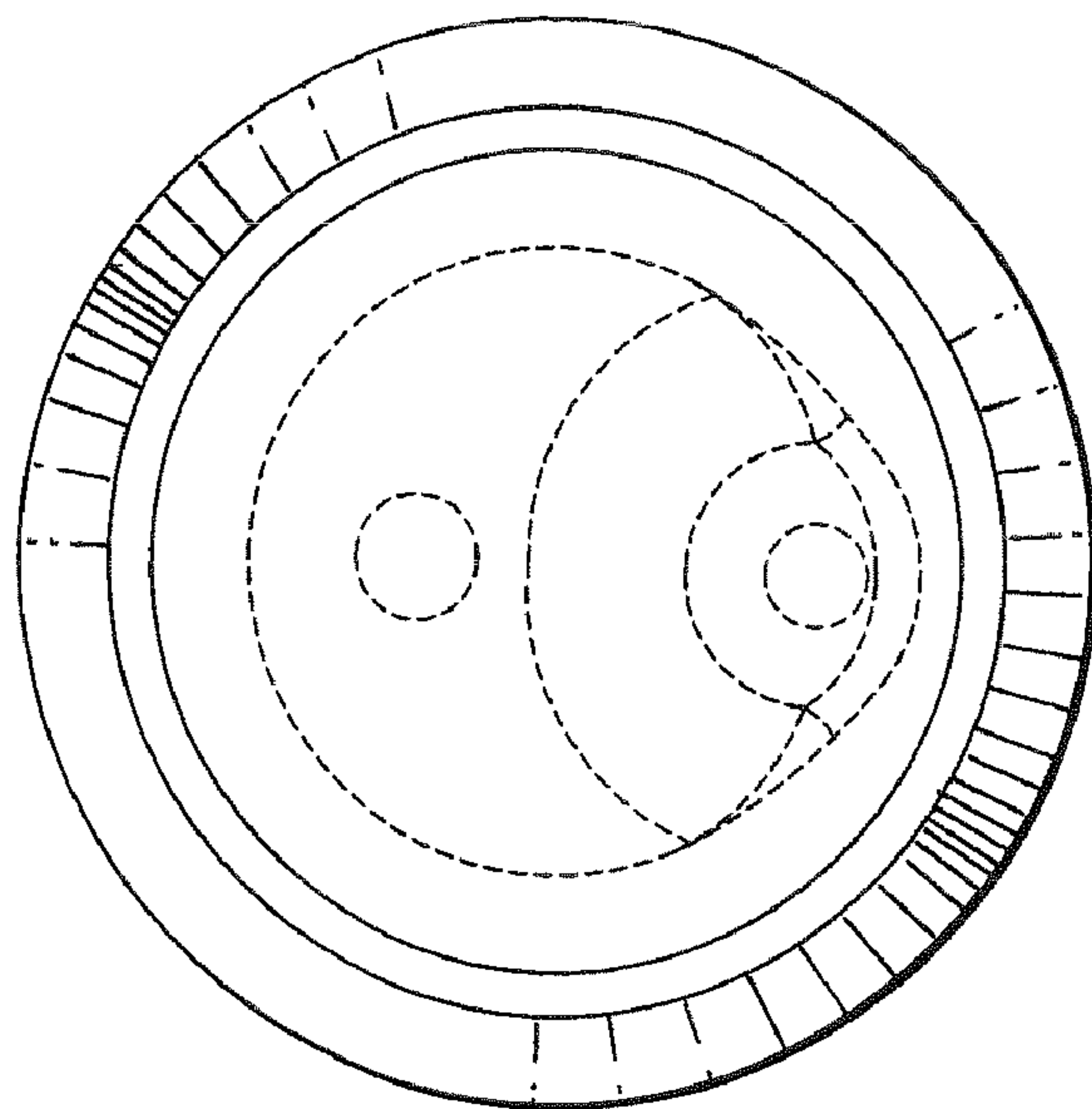


FIG. 7