



US00D595536S

(12) **United States Design Patent**  
**Fabbri**

(10) **Patent No.:** **US D595,536 S**

(45) **Date of Patent:** **\*\* Jul. 7, 2009**

(54) **DRINKING MUG HANDLE**

(76) **Inventor:** **Joseph J. Fabbri**, 5937 Northern Blvd.,  
Muttontown, NY (US) 11732

(\*\*) **Term:** **14 Years**

(21) **Appl. No.:** **29/298,476**

(22) **Filed:** **Dec. 5, 2007**

(51) **LOC (9) Cl.** ..... **07-02**

(52) **U.S. Cl.** ..... **D7/394**

(58) **Field of Classification Search** ..... D7/393,  
D7/394, 514, 515, 533, 536; D11/44, 48,  
D11/61, 116, 157, 223; D1/114; D5/30;  
D6/307; D3/211; D18/24-30; D20/29;  
D21/400; D24/102; D26/7, 16; D28/22;  
40/324; 206/217; 220/592.17, 703, 710.5,  
220/771; 431/126; 434/193

See application file for complete search history.

(56) **References Cited**

**U.S. PATENT DOCUMENTS**

|               |         |             |       |         |
|---------------|---------|-------------|-------|---------|
| D56,871 S *   | 1/1921  | Heathcote   | ..... | D11/116 |
| D66,600 S *   | 2/1925  | Baughan     | ..... | D11/116 |
| D102,810 S *  | 1/1937  | Aitchison   | ..... | D18/24  |
| D155,232 S *  | 9/1949  | Price       | ..... | D18/30  |
| D159,724 S *  | 8/1950  | Glass       | ..... | D7/515  |
| D175,884 S *  | 10/1955 | Fishchett   | ..... | D26/12  |
| 3,093,093 A * | 6/1963  | Ryan et al. | ..... | 249/117 |
| 3,827,162 A * | 8/1974  | Moesser     | ..... | 434/193 |
| 3,918,178 A * | 11/1975 | Riley       | ..... | 434/193 |
| 3,934,357 A * | 1/1976  | Couvillion  | ..... | 434/193 |
| D255,584 S *  | 6/1980  | Brentini    | ..... | D18/29  |
| 4,382,794 A * | 5/1983  | Preus       | ..... | 434/193 |
| D304,458 S *  | 11/1989 | Mowry, Jr.  | ..... | D18/24  |
| D338,032 S *  | 8/1993  | Wagers      | ..... | D18/24  |

|                   |         |                      |       |           |
|-------------------|---------|----------------------|-------|-----------|
| D382,086 S *      | 8/1997  | Peoples-Allen et al. | ..... | D1/114    |
| 5,709,923 A *     | 1/1998  | Ciaramitaro          | ..... | 428/195.1 |
| 5,865,627 A *     | 2/1999  | Foresman             | ..... | 434/193   |
| D407,834 S *      | 4/1999  | Lane                 | ..... | D26/16    |
| D419,374 S *      | 1/2000  | Marck                | ..... | D7/394    |
| D432,353 S *      | 10/2000 | Marck                | ..... | D7/394    |
| 6,491,219 B2 *    | 12/2002 | Brentini             | ..... | 235/383   |
| D497,515 S *      | 10/2004 | Bydalek              | ..... | D7/394    |
| D532,254 S *      | 11/2006 | Norris et al.        | ..... | D7/394    |
| D535,146 S *      | 1/2007  | Grundmann            | ..... | D7/394    |
| 7,361,013 B2 *    | 4/2008  | Xu                   | ..... | 431/153   |
| 2006/0275722 A1 * | 12/2006 | Xu                   | ..... | 431/132   |

\* cited by examiner

*Primary Examiner*—Holly H Baynham

*Assistant Examiner*—Cynthia M Chin

(57) **CLAIM**

The ornamental design for a drinking mug handle, as shown and described.

**DESCRIPTION**

FIG. 1 is a perspective view of a drinking mug handle showing my new design;

FIG. 2 is a top plan view thereof;

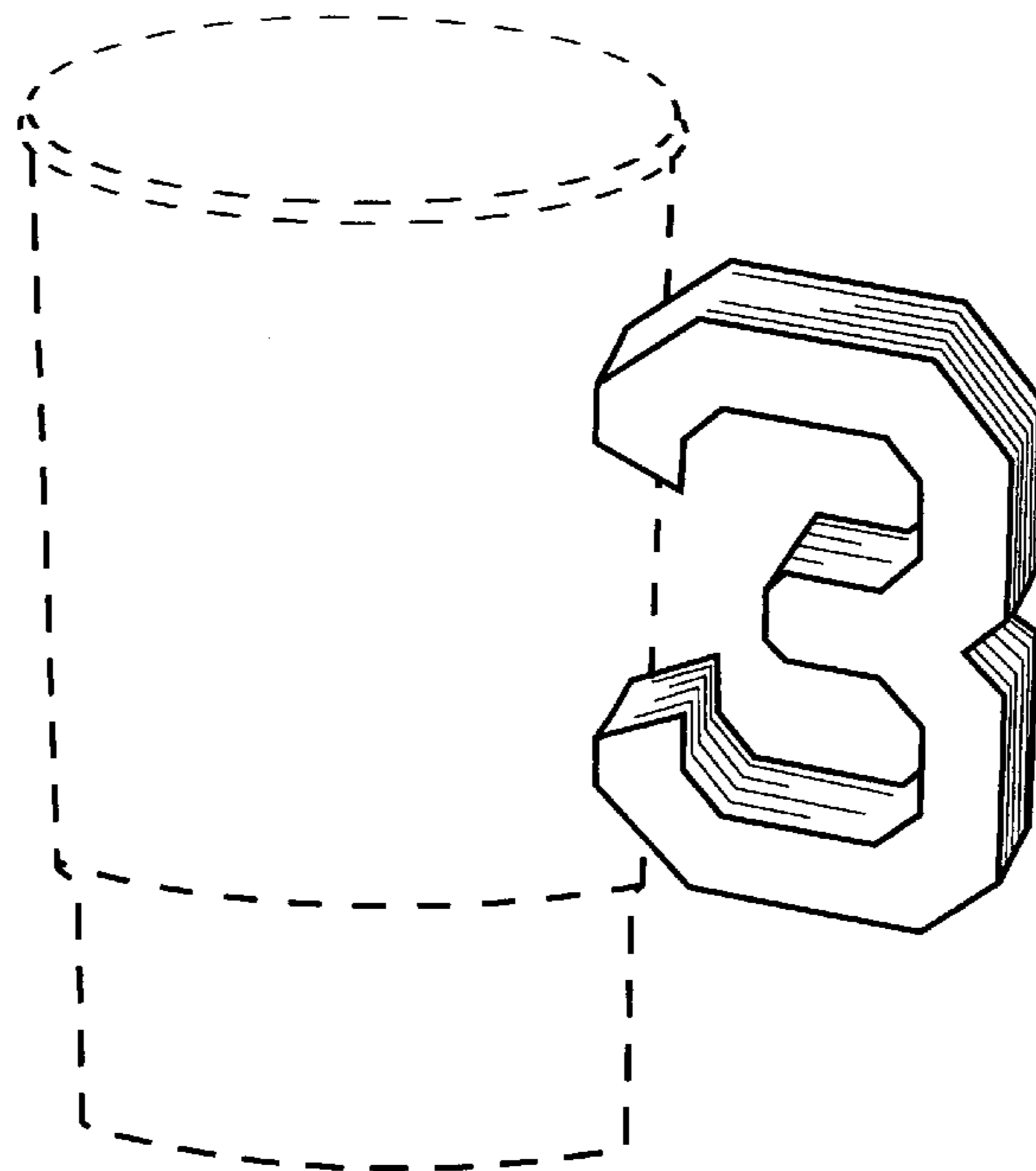
FIG. 3 is a front elevational view thereof, the rear elevational view being a mirror image thereof;

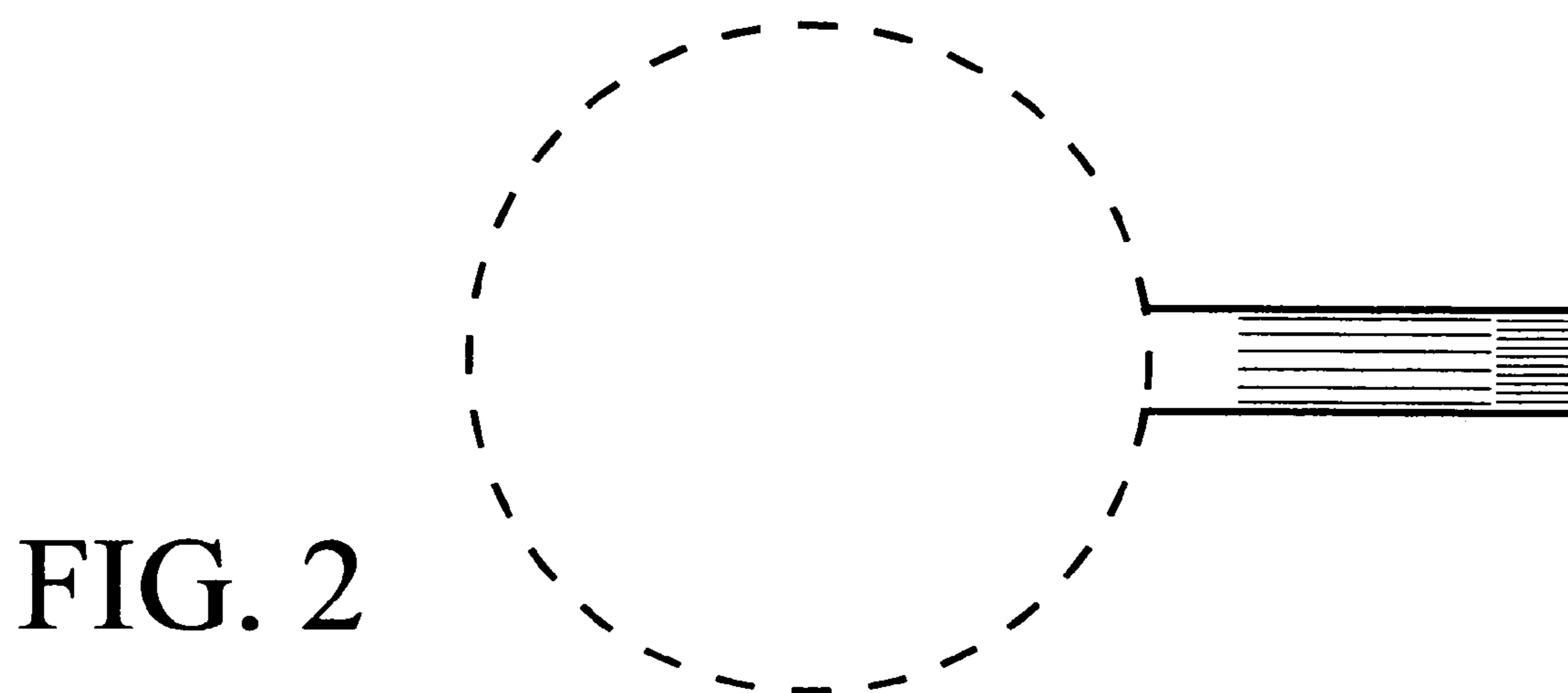
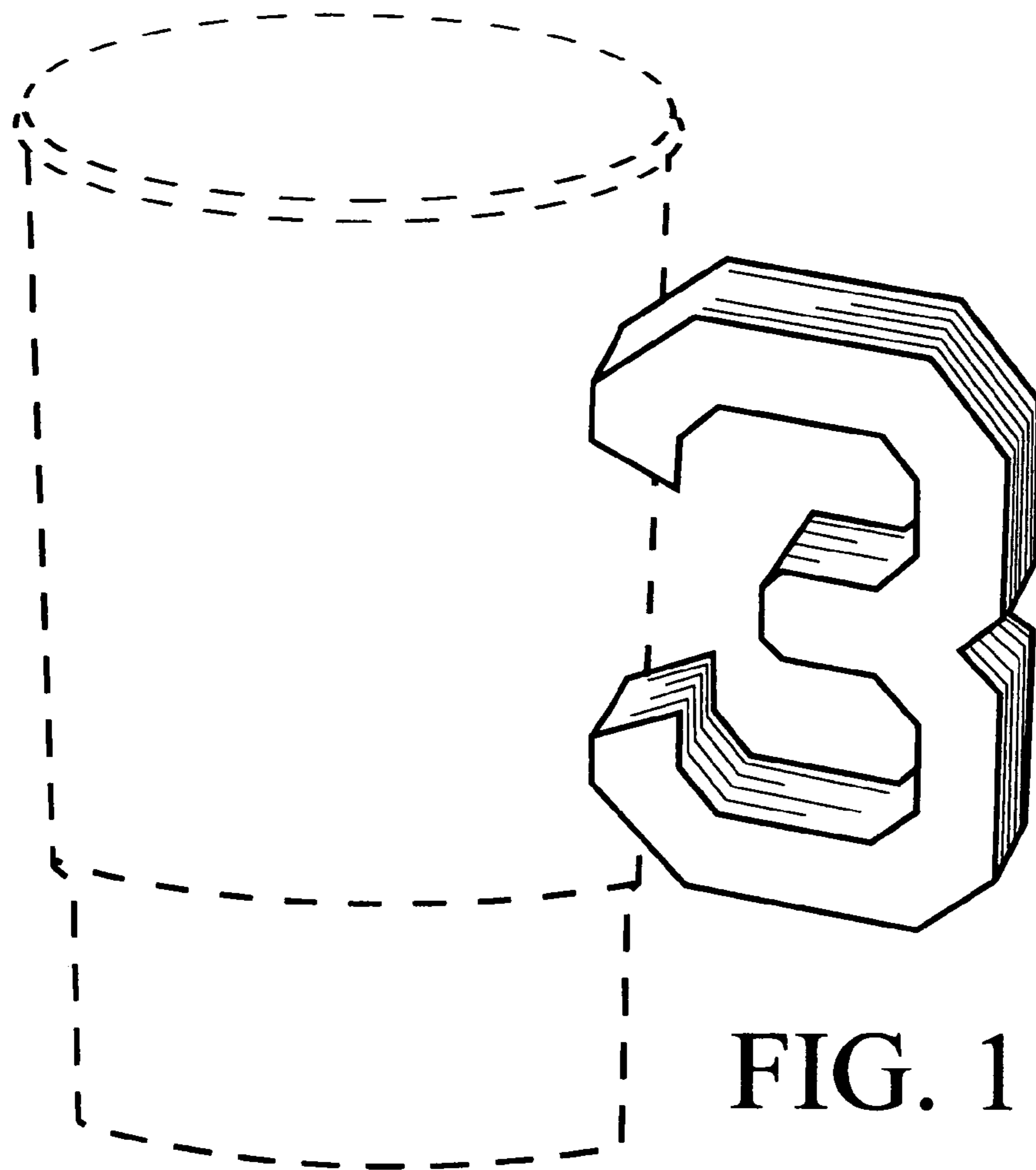
FIG. 4 is a top plan view thereof, the bottom view being an identical view thereof; and,

FIG. 5 is a side elevational view thereof.

The broken line illustration of the mug in FIGS. 1-3 and 5 depict the environment in which the design resides and forms no part of the claim.

**1 Claim, 2 Drawing Sheets**





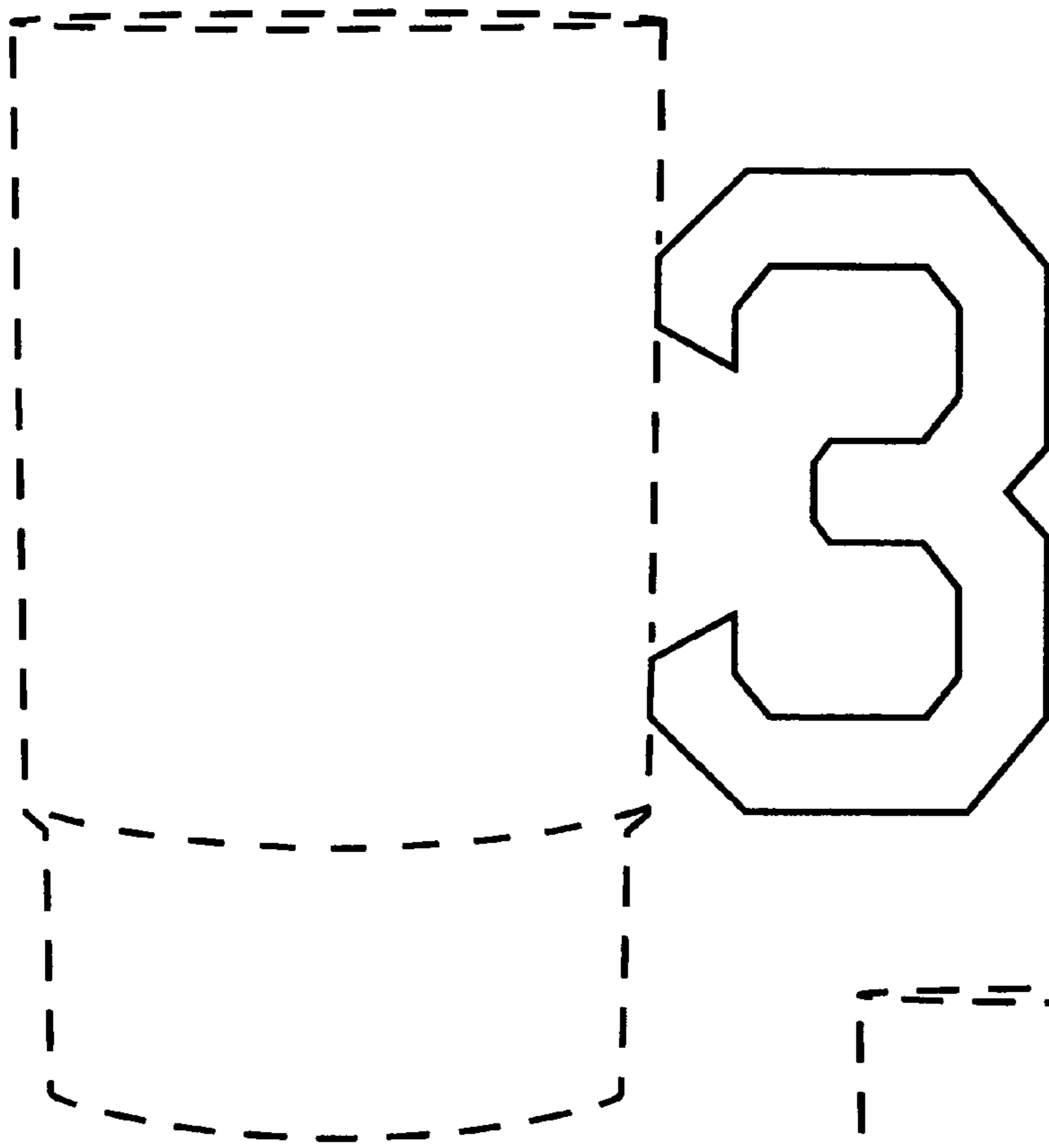


FIG. 3

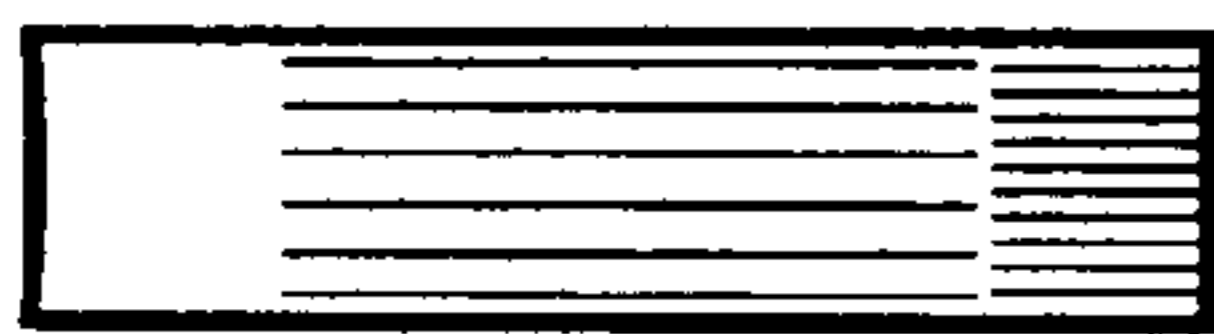


FIG. 4

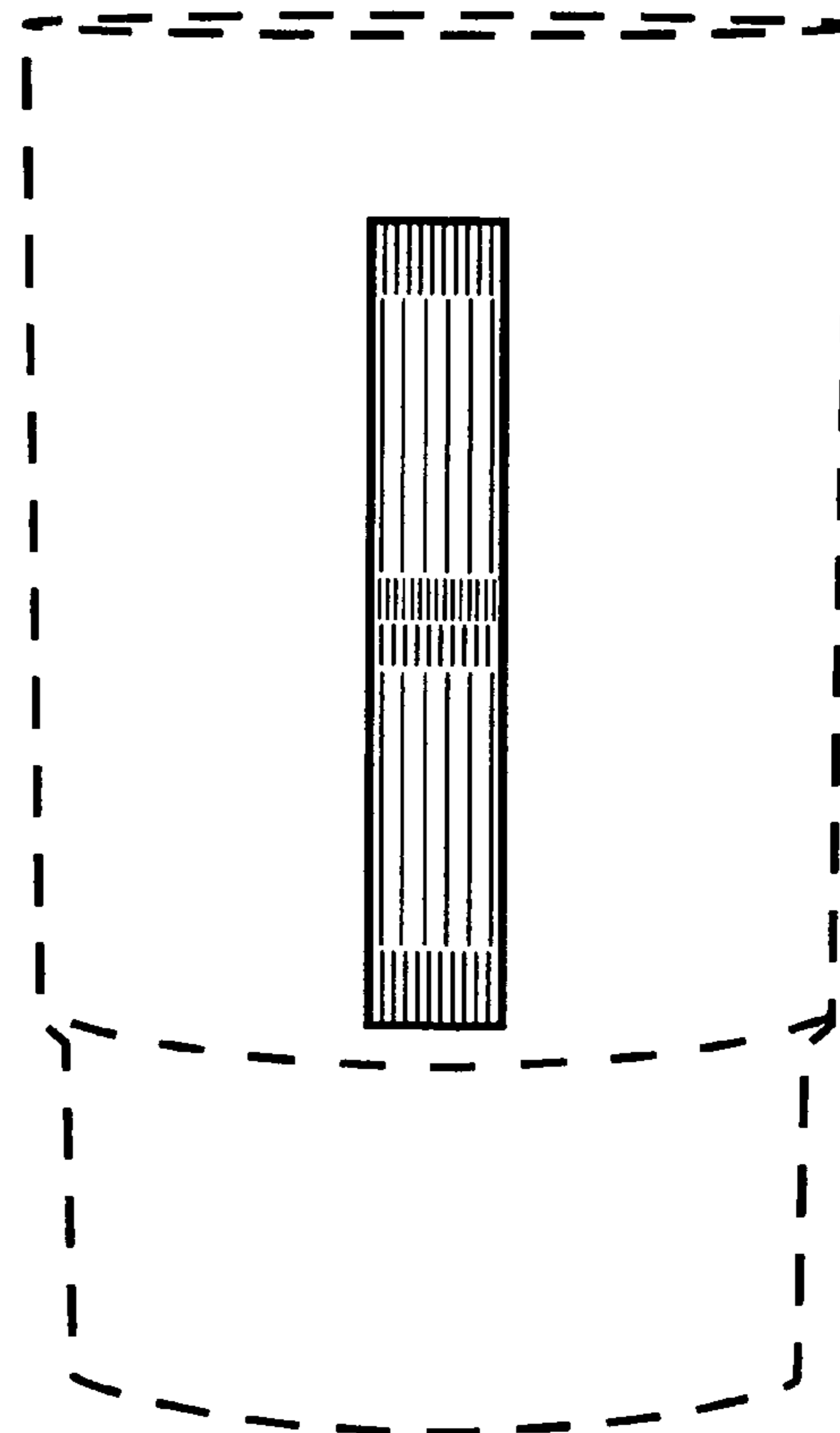


FIG. 5