



US00D595535S

(12) **United States Design Patent**
Emmons

(10) **Patent No.:** **US D595,535 S**
(45) **Date of Patent:** **** Jul. 7, 2009**

(54) **COOKING PLATFORM FOR ATV**

Primary Examiner—Catherine R Oliver

(76) Inventor: **Clyde Emmons**, 80 Hanson Rd.,
Sanbornville, NH (US) 03872

(57) **CLAIM**

(**) Term: **14 Years**

I claim, the ornamental design for the cooking platform for
ATV, as shown and described.

(21) Appl. No.: **29/326,106**

DESCRIPTION

(22) Filed: **Oct. 11, 2008**

FIG. 1 is a front elevational view of the cooking platform for
ATV showing my new design;

(51) **LOC (9) Cl.** **07-02**

FIG. 2 is a rear elevational view of the cooking platform for
ATV thereof;

(52) **U.S. Cl.** **D7/323**

(58) **Field of Classification Search** D7/323,
D7/327, 330, 332, 334, 367, 402; 99/327,
99/339, 340, 348, 410

FIG. 3 is a left-side elevational view of the cooking platform
for ATV thereof;

See application file for complete search history.

FIG. 4 is right side elevational view of the cooking platform
for ATV thereof;

(56) **References Cited**

U.S. PATENT DOCUMENTS

D396,379 S *	7/1998	Stoetzl	D7/335
D444,340 S *	7/2001	Wang	D7/323
D450,524 S *	11/2001	Measom	D7/332
D457,393 S *	5/2002	Lewis	D7/402

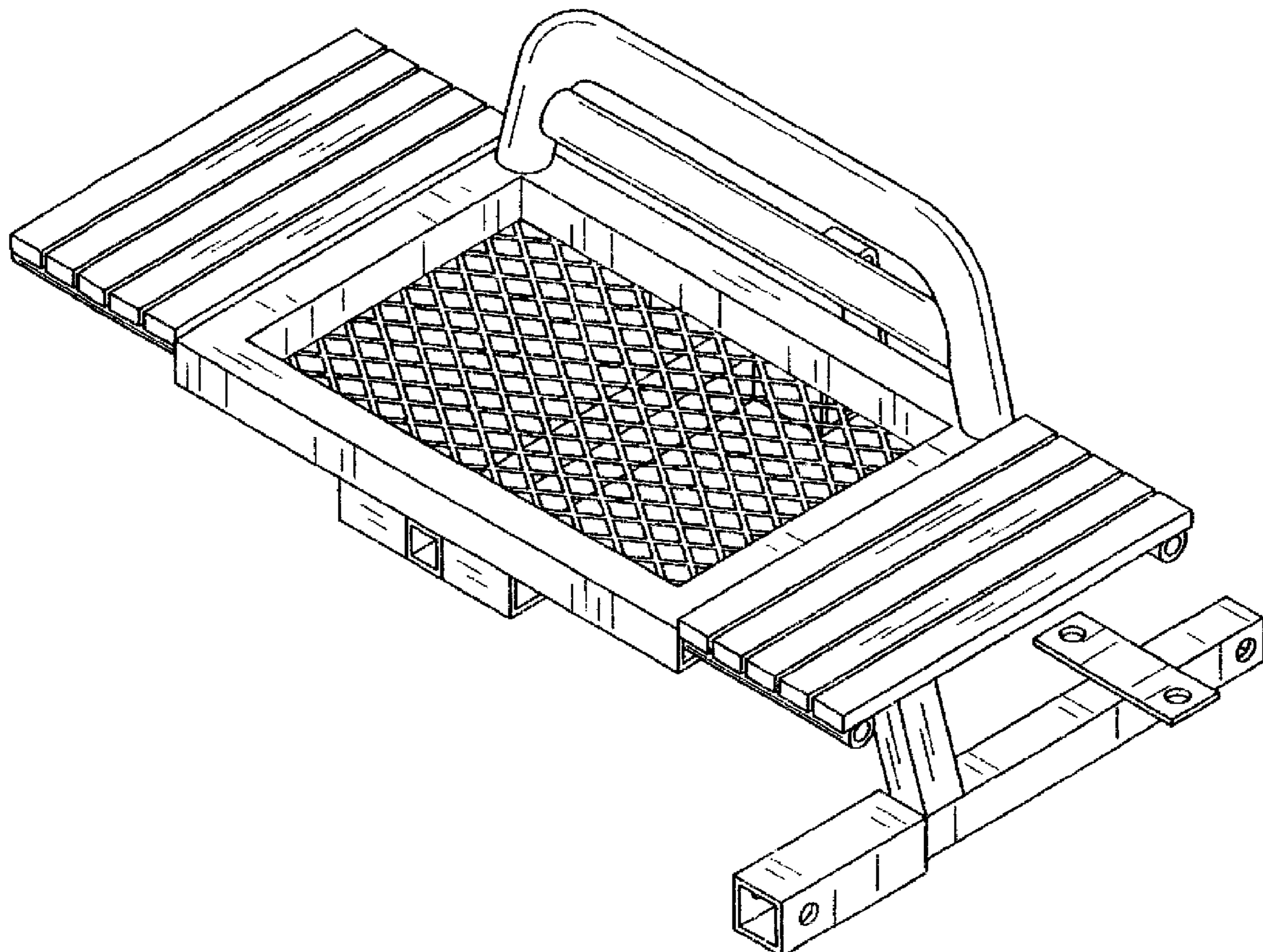
FIG. 5 is a top plan view of the cooking platform for ATV
thereof;

FIG. 6 is a bottom plan view of the cooking platform for ATV
thereof; and,

FIG. 7 is a perspective view of the cooking platform for ATV
thereof.

* cited by examiner

1 Claim, 7 Drawing Sheets



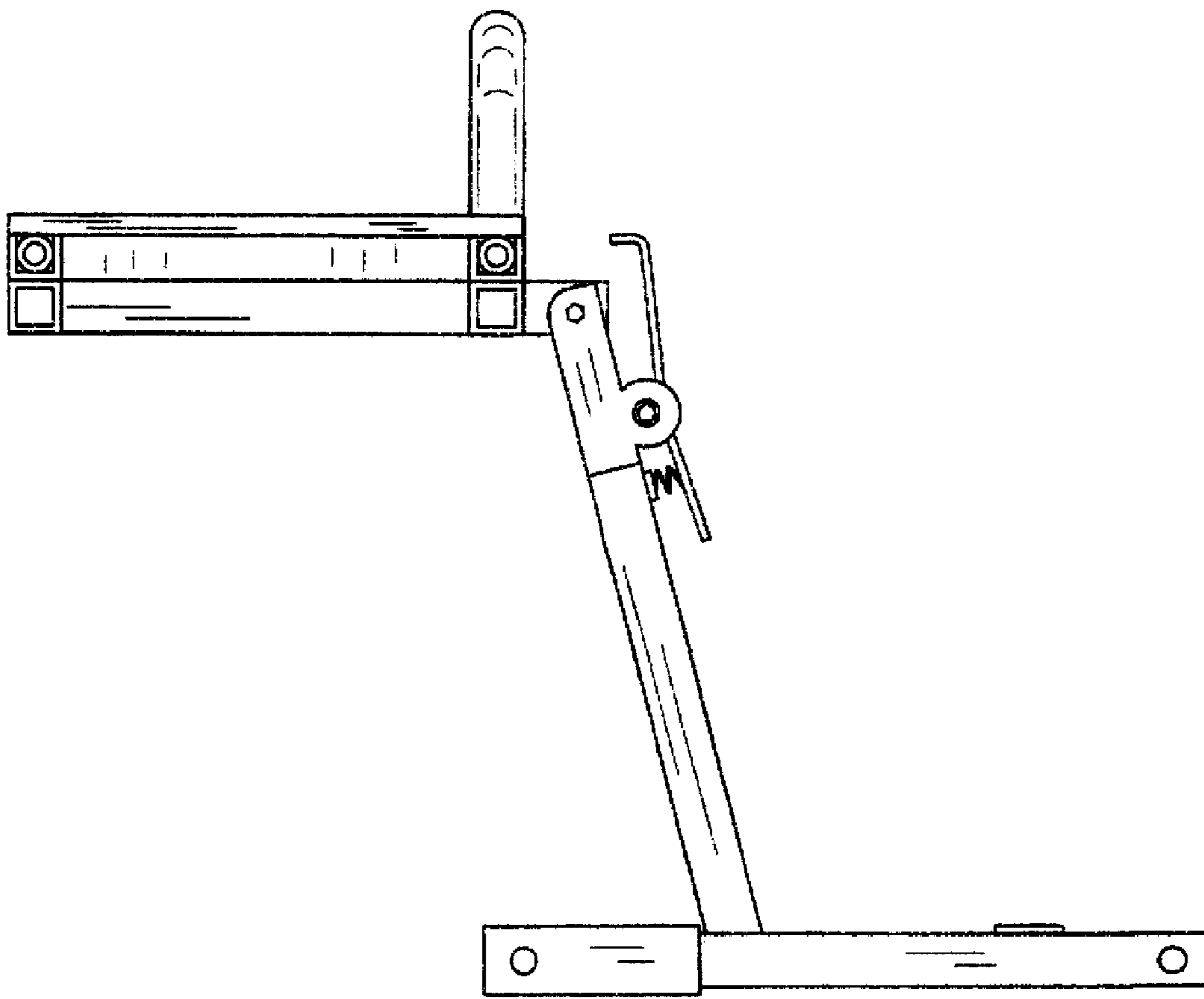


FIG. 1

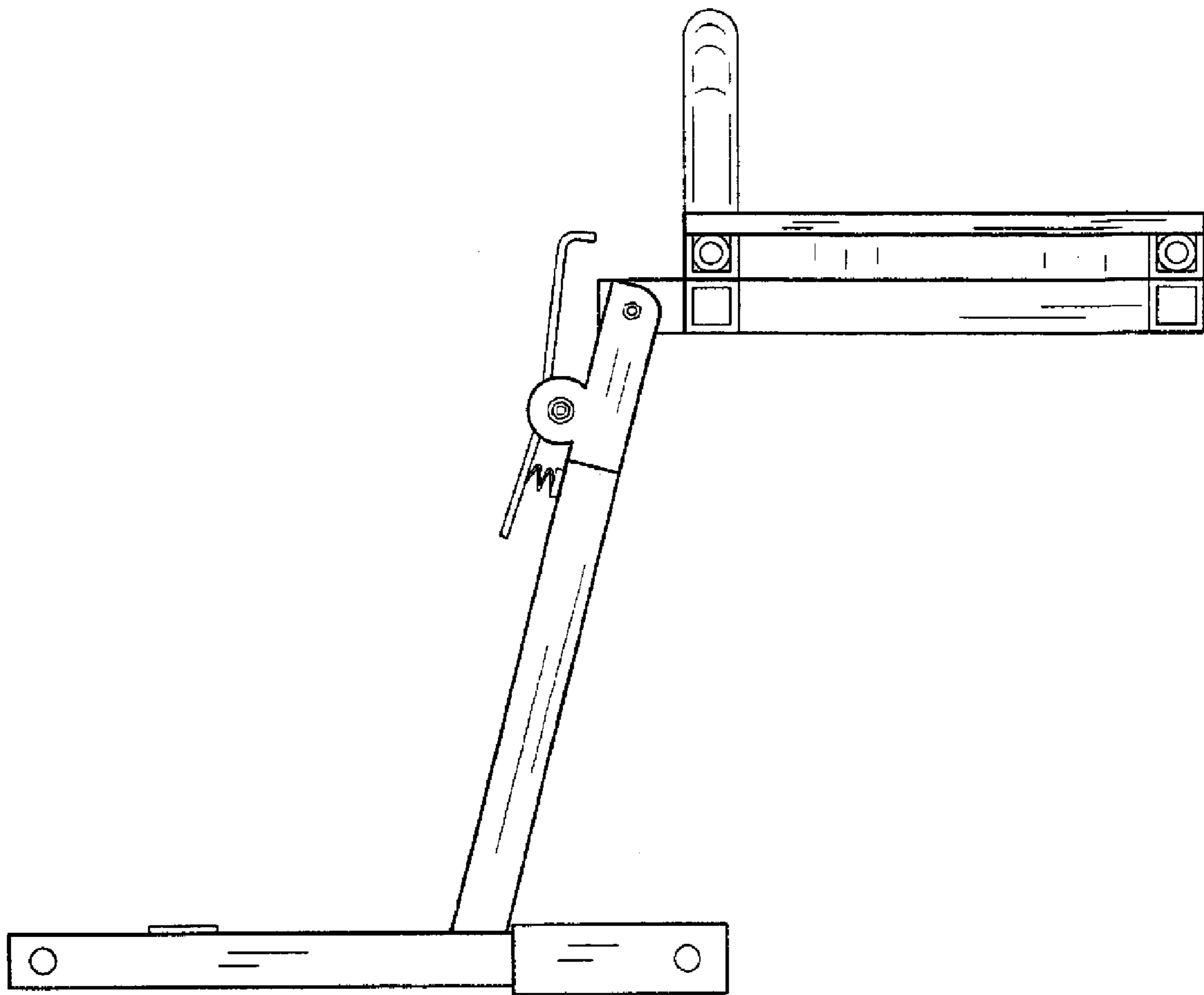


FIG. 2

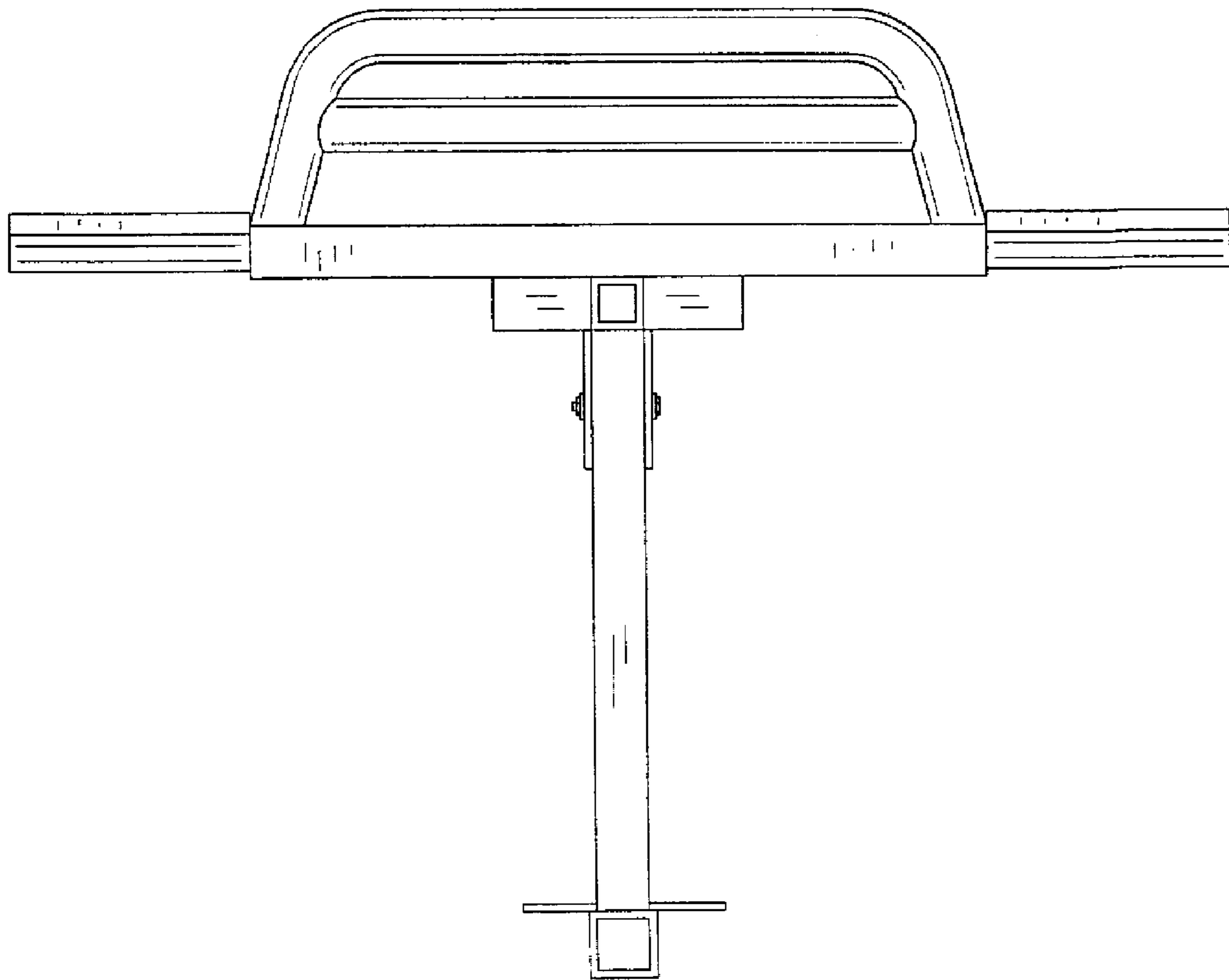


FIG. 3

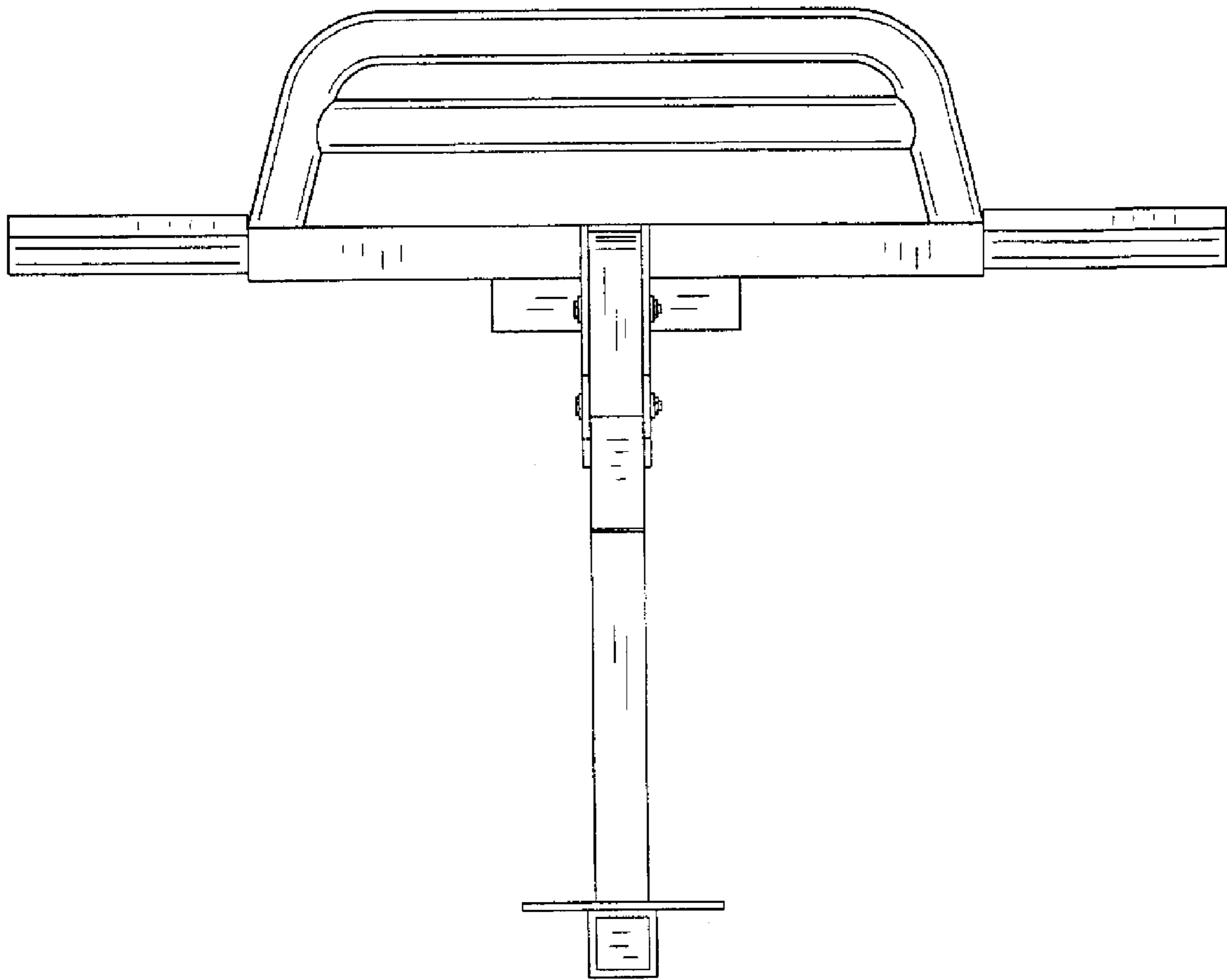


FIG. 4

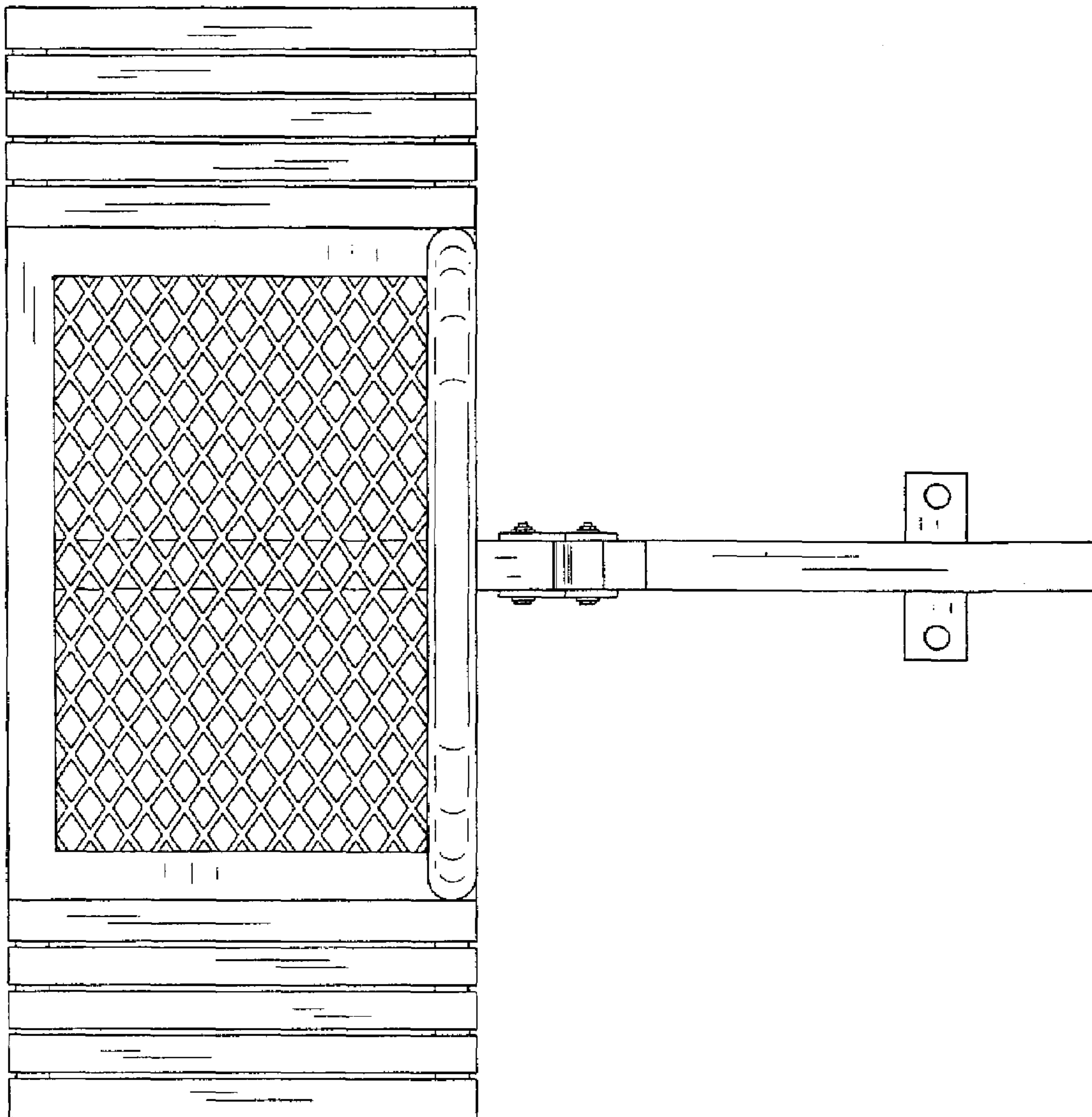


FIG. 5

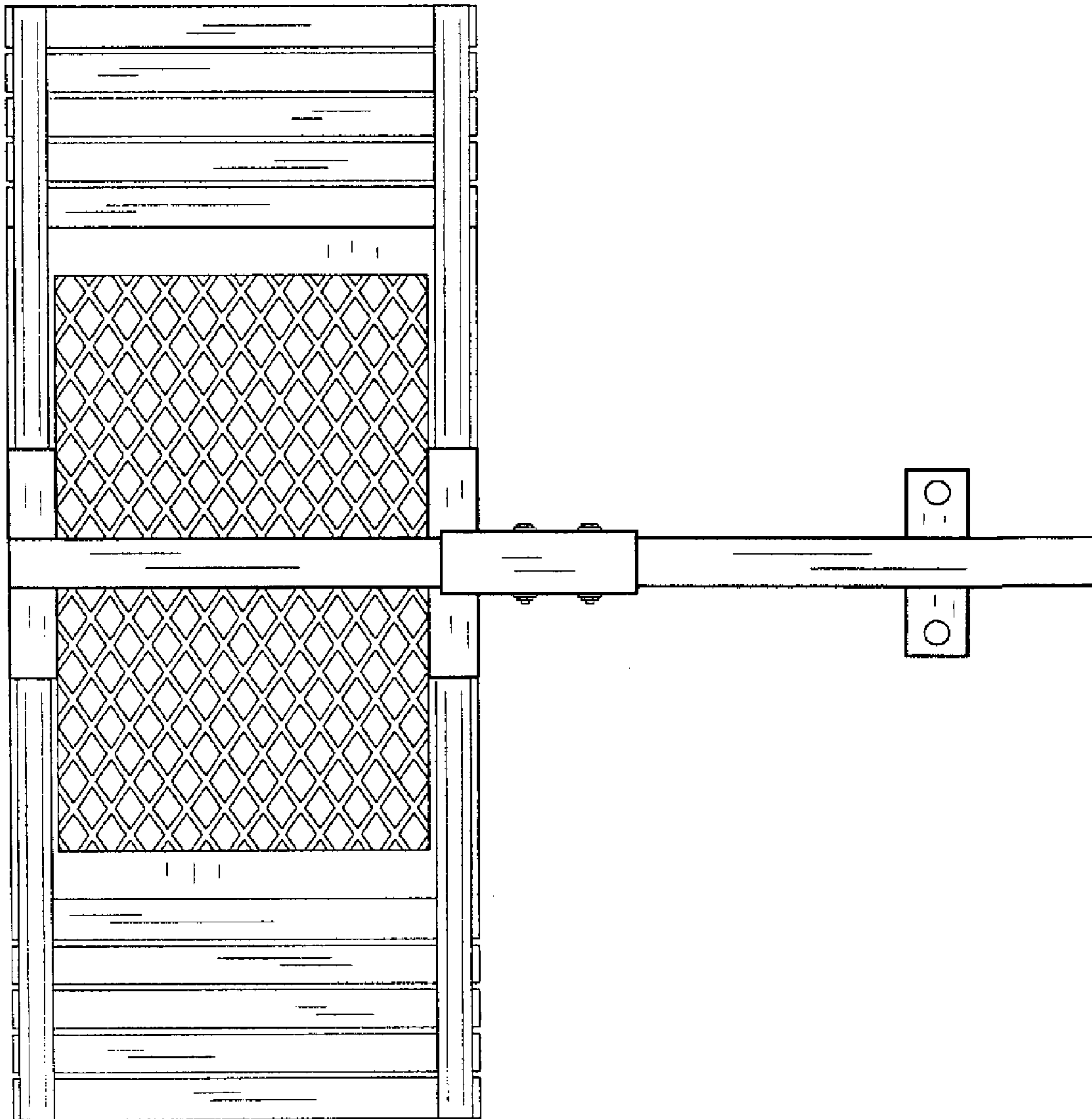


FIG. 6

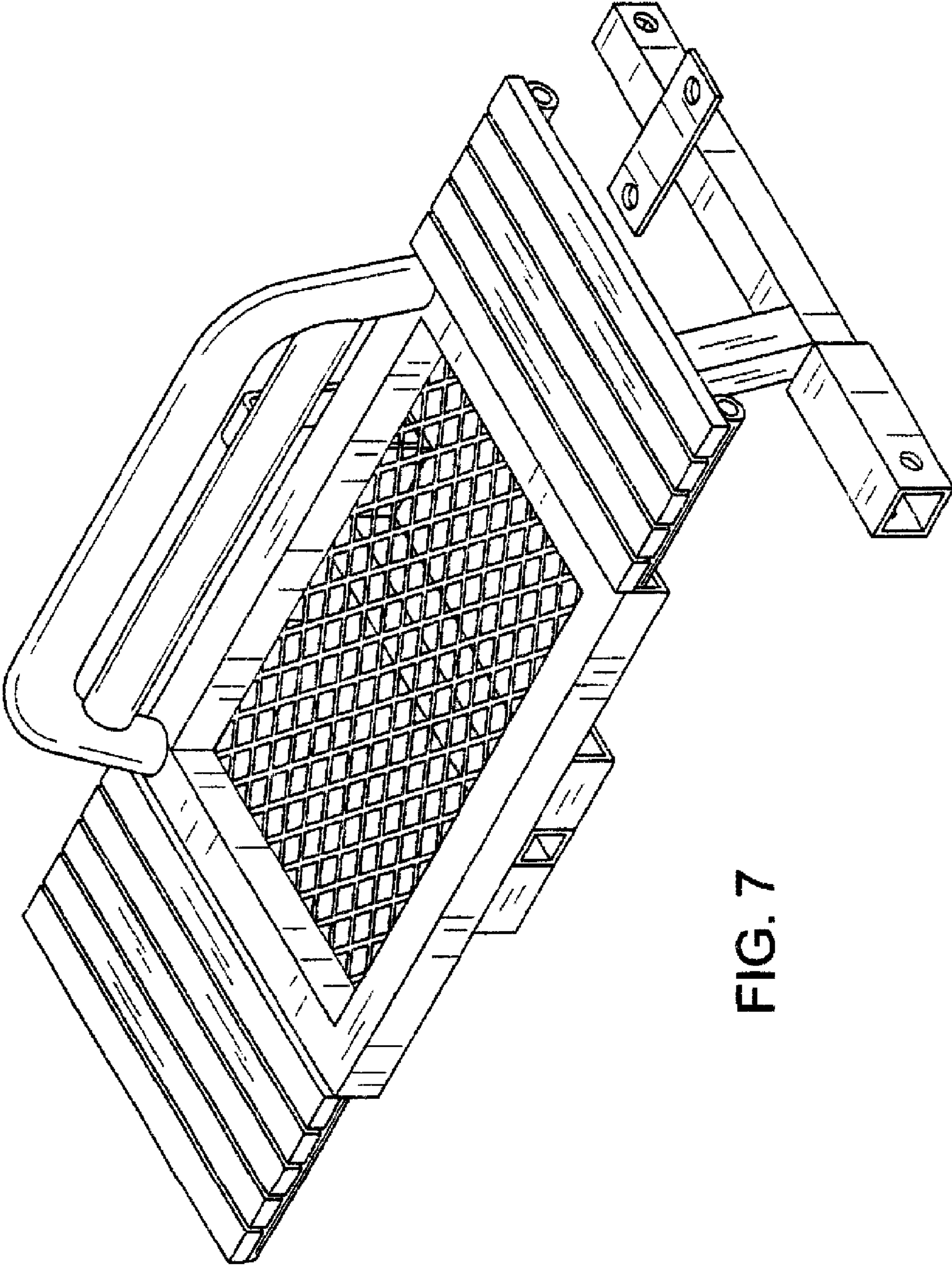


FIG. 7