



US00D595534S

(12) **United States Design Patent**  
**Mankowitz**

(10) **Patent No.:** **US D595,534 S**

(45) **Date of Patent:** **\*\* Jul. 7, 2009**

(54) **PITCHER WITH A LID**

(75) Inventor: **Perry Mankowitz**, Lidingö (SE)

(73) Assignee: **Coolinvent AB**, Stockholm (SE)

(\*\*) Term: **14 Years**

(21) Appl. No.: **29/274,902**

(22) Filed: **Jun. 6, 2007**

(30) **Foreign Application Priority Data**

Feb. 22, 2007 (EM) ..... 000675764

(51) **LOC (9) Cl.** ..... **07-01**

(52) **U.S. Cl.** ..... **D7/317; D7/319**

(58) **Field of Classification Search** ..... D7/300-322,  
D7/516, 533, 536, 600, 691, 698; D23/207,  
D23/209; 99/297, 319; 210/282, 635; 222/164,  
222/165, 465.1, 466; 215/12.1; 206/515;  
220/4.01

See application file for complete search history.

(56) **References Cited**

**U.S. PATENT DOCUMENTS**

3,357 A \* 11/1843 Atterbury et al. .... 223/12  
D74,713 S \* 3/1928 Beam ..... D7/319

D184,814 S \* 4/1959 James ..... D7/319  
D250,869 S \* 1/1979 Boelter ..... D7/319  
D377,436 S \* 1/1997 Poly ..... D7/319  
6,295,831 B1 \* 10/2001 Watson ..... 62/457.3

\* cited by examiner

*Primary Examiner*—Antoine D Davis

(74) *Attorney, Agent, or Firm*—Schwegman, Lundberg & Woessner, P.A.

(57) **CLAIM**

The ornamental design for a pitcher and a lid, as shown and described.

**DESCRIPTION**

FIG. 1 is a top perspective view of a pitcher according to my new design;

FIG. 2 is a bottom perspective view thereof;

FIG. 3 is a right side view thereof;

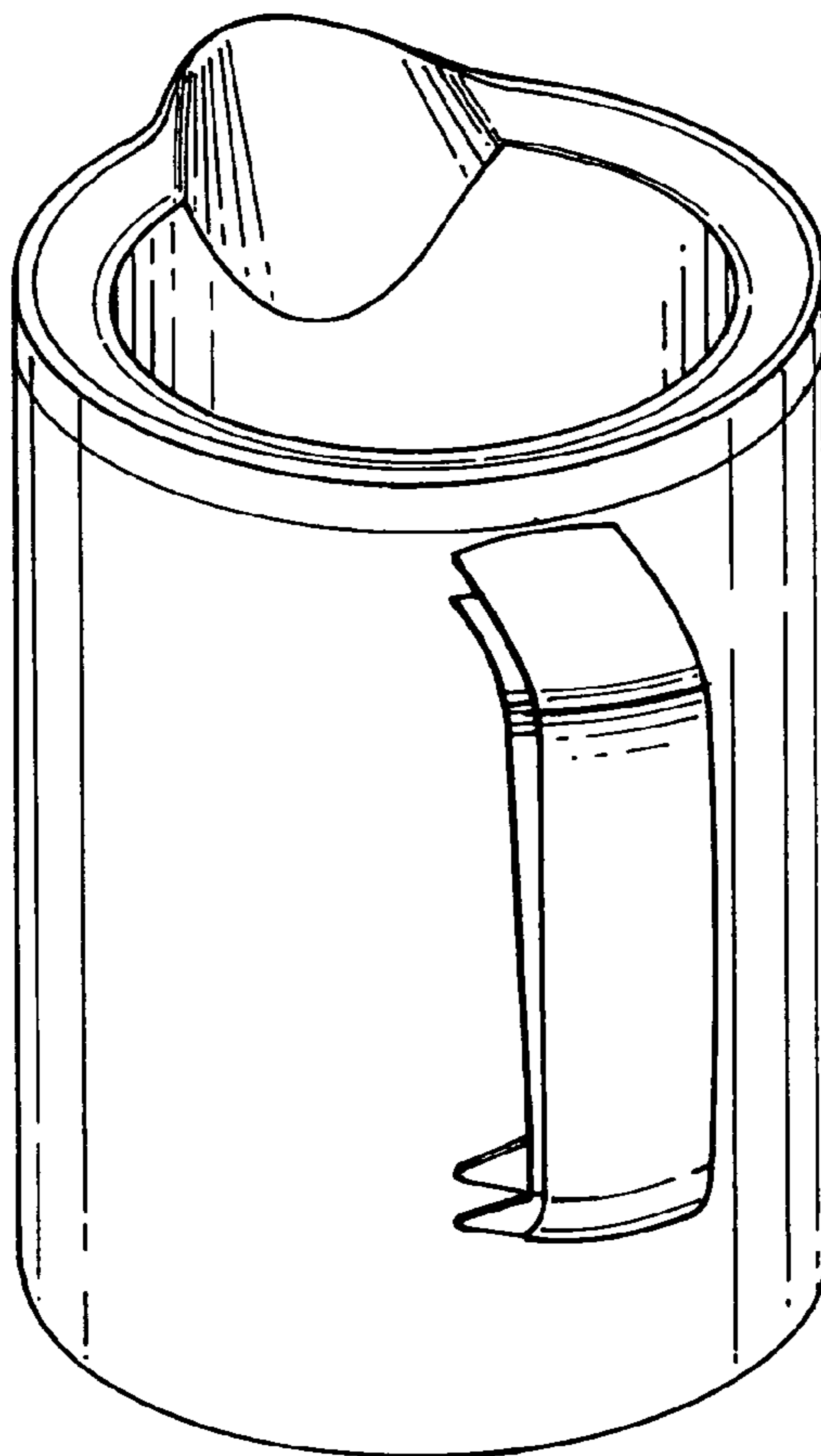
FIG. 4 is a top plan view thereof;

FIG. 5 is a left side view thereof, with the lid belonging to it in place;

FIG. 6 is a side view of the lid; and,

FIG. 7 is a bottom perspective view thereof.

**1 Claim, 3 Drawing Sheets**



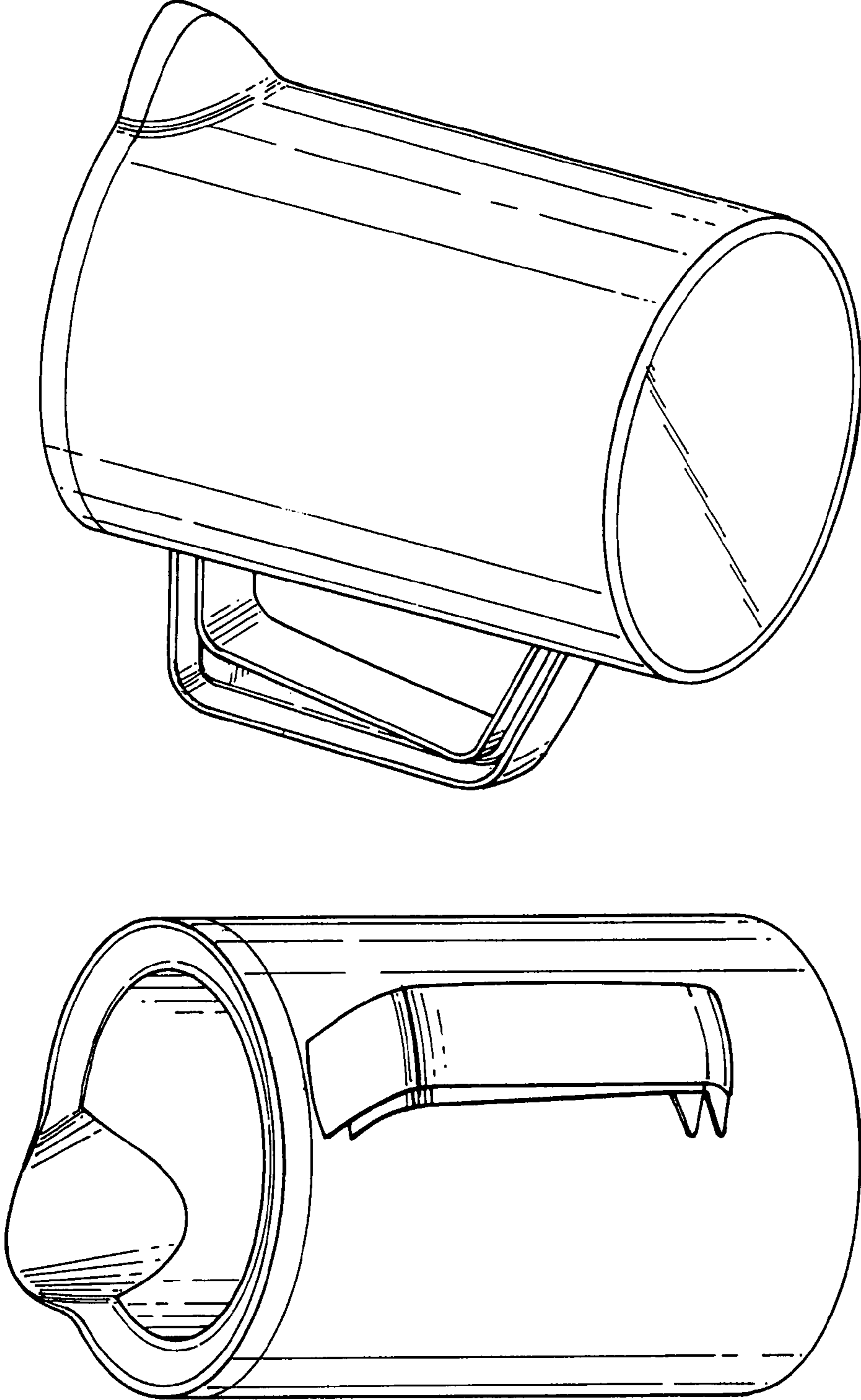


FIG 2

FIG 1

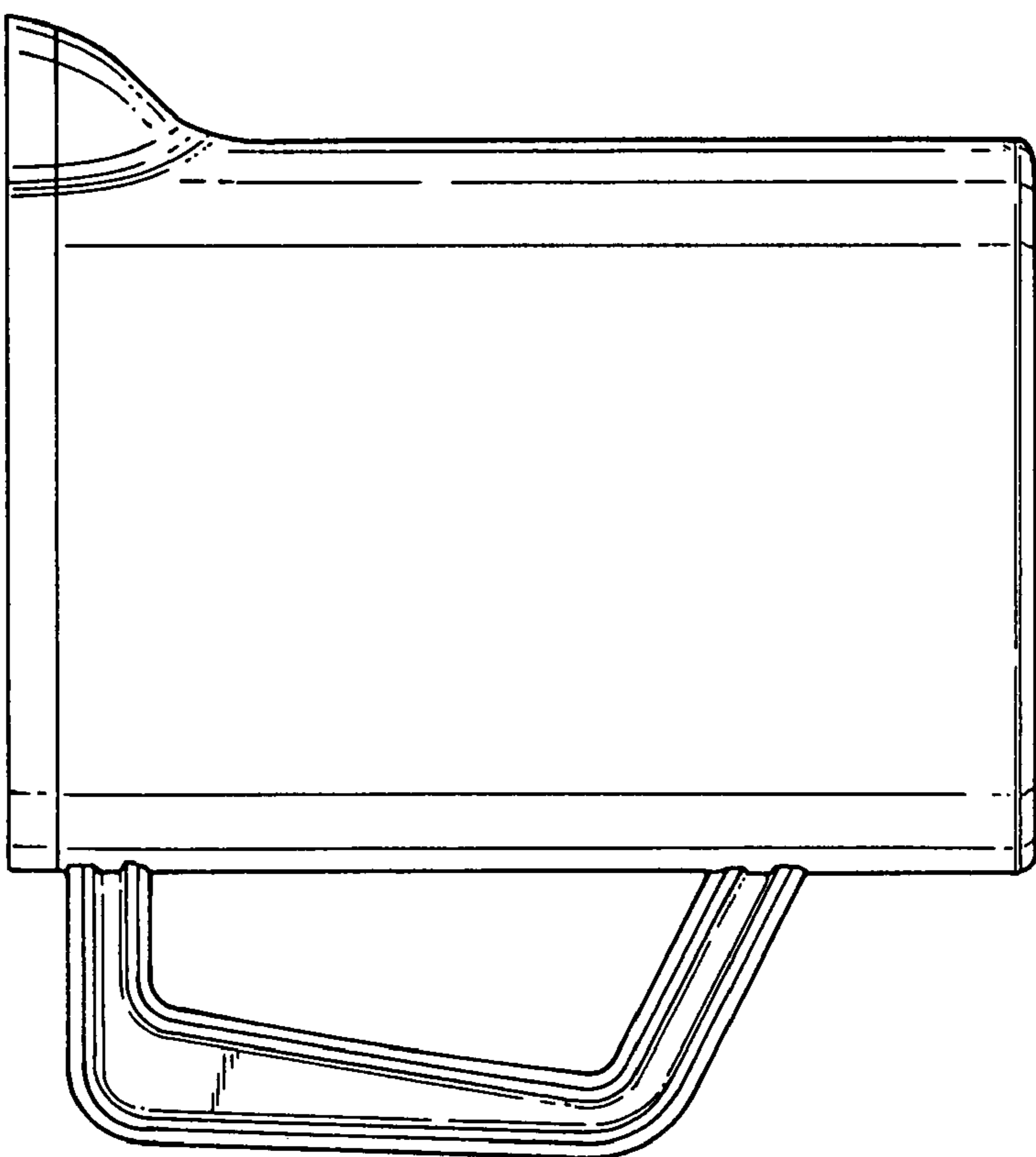


FIG 3

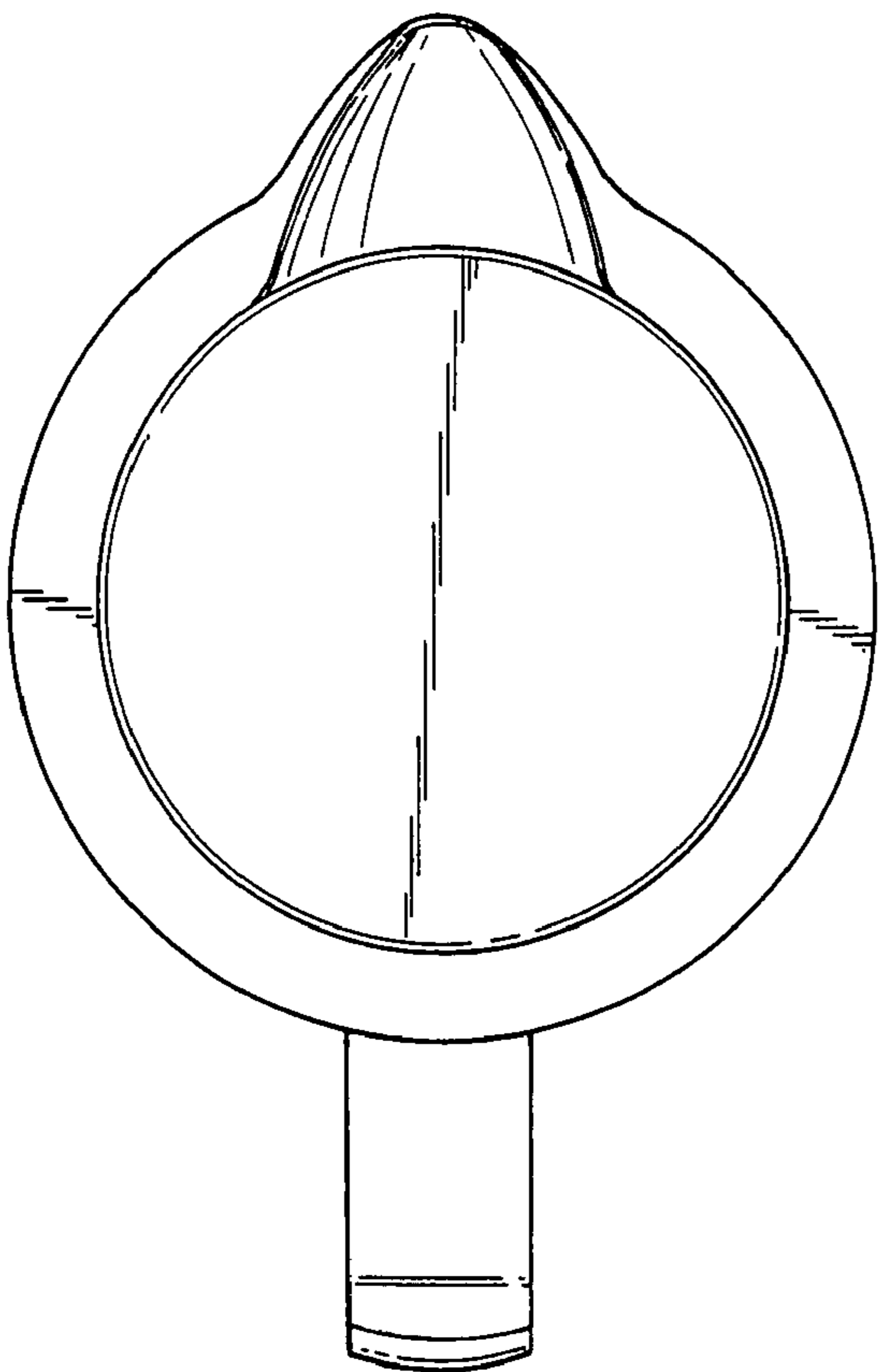


FIG 4

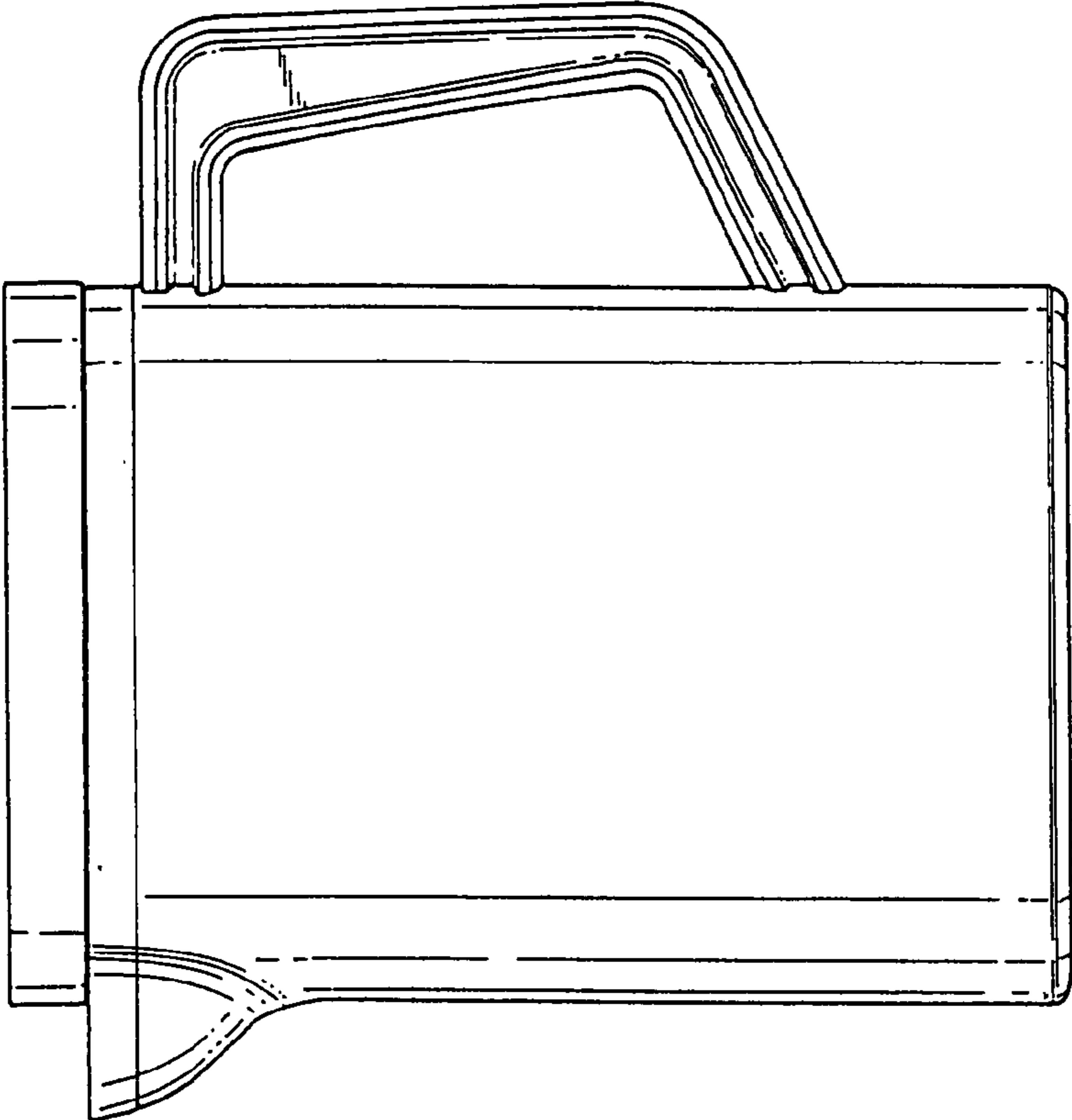


FIG 5

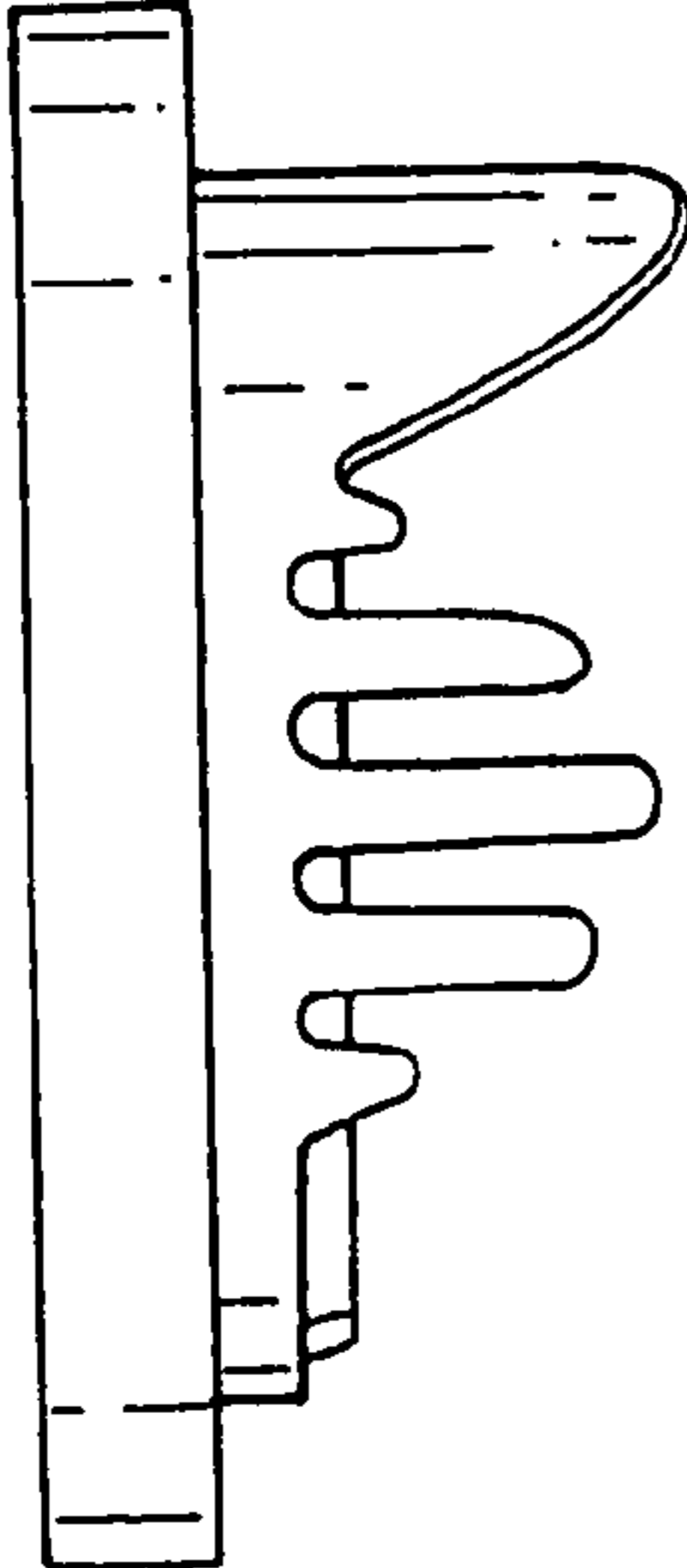


FIG 6

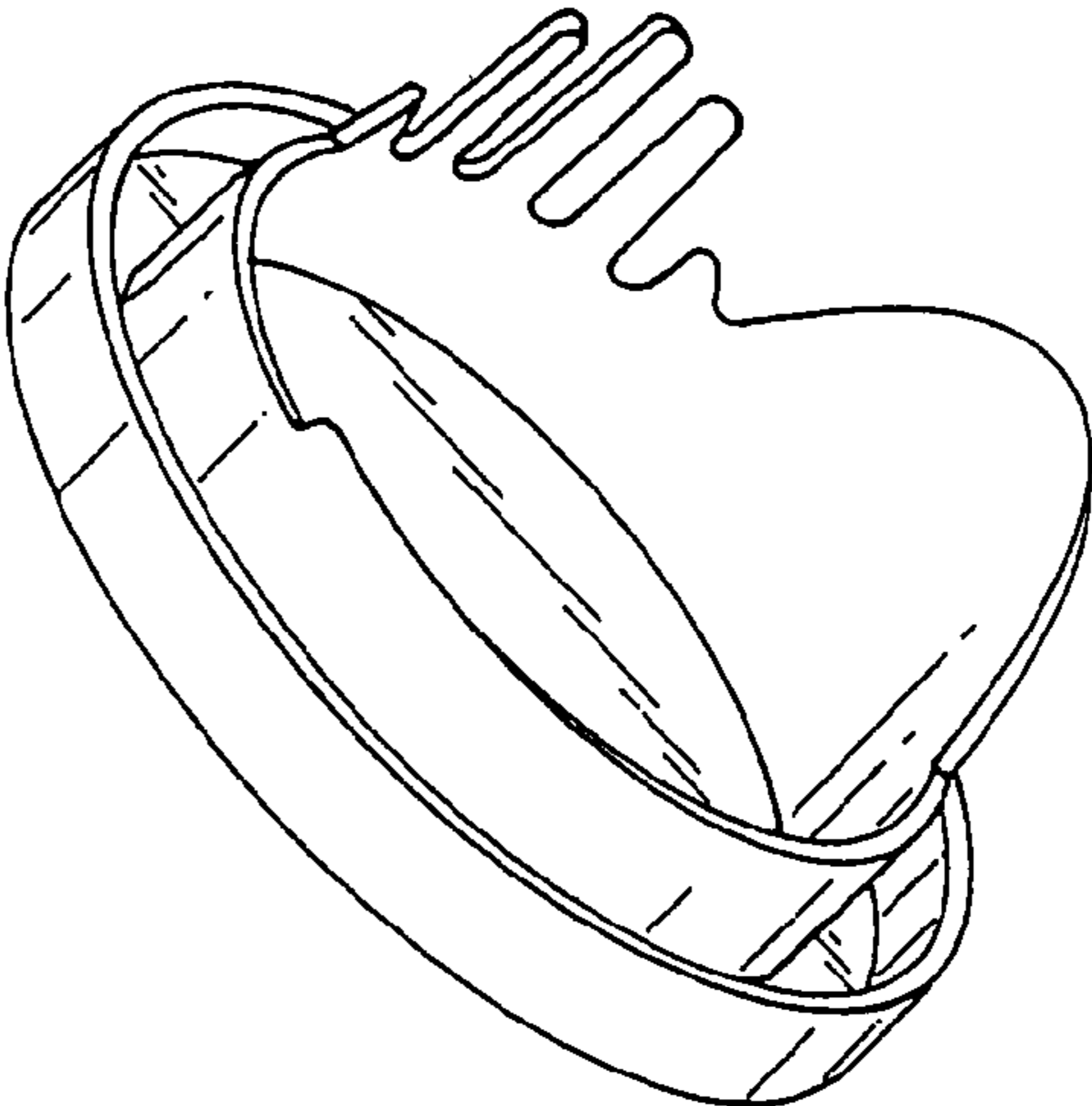


FIG 7