

US00D595522S

(12) **United States Design Patent**
Snell

(10) **Patent No.:** **US D595,522 S**
(45) **Date of Patent:** **** Jul. 7, 2009**

(54) **SOAP DISPENSER**

(75) Inventor: **Russell Benton Snell**, Bentleyville, OH
(US)

(73) Assignee: **InterDesign, Inc.**, Solon, OH (US)

(**) Term: **14 Years**

(21) Appl. No.: **29/312,963**

(22) Filed: **Nov. 25, 2008**

(51) **LOC (9) Cl.** **23-02**

(52) **U.S. Cl.** **D6/542**

(58) **Field of Classification Search** D6/542-545;
D9/682, 688, 690, 291, 448, 449; 221/282;
222/14, 173, 146.3, 628, 251, 181.1, 181.3
See application file for complete search history.

(56) **References Cited**

U.S. PATENT DOCUMENTS

D416,154 S *	11/1999	Diehl	D6/542
D444,977 S *	7/2001	Ludwig	D6/542
D477,778 S	7/2003	Dretzka		
D477,990 S	8/2003	Dretzka		
D477,991 S	8/2003	Dretzka		
D480,642 S	10/2003	Dretzka		
D480,643 S	10/2003	Dretzka		
D484,039 S	12/2003	Dretzka		
D484,401 S	12/2003	Dretzka		
D488,716 S	4/2004	Dretzka		
D489,617 S	5/2004	Snell		
D496,262 S	9/2004	Dretzka		
D525,534 S	7/2006	Snell		
D530,954 S *	10/2006	Snell	D6/542
D531,845 S *	11/2006	Christianson	D6/542
D537,360 S	2/2007	Snell		
D537,361 S	2/2007	Dretzka		

D537,666 S *	3/2007	Berberet	D6/542
D538,092 S *	3/2007	Snell	D6/542
D538,177 S	3/2007	Dretzka		
D551,087 S	9/2007	Snell		
D554,410 S	11/2007	Snell		

OTHER PUBLICATIONS

InterDesign, Inc. Product Brochure—2003, pp. 5, 6, 9, 10, 14-16, 20, 22, 24, 43, 46.
InterDesign, Inc. Product Brochure—2004, p. 28.
InterDesign, Inc. Product Brochure—2007, pp. 2, 3, 4.

* cited by examiner

Primary Examiner—Brian N Vinson

(74) *Attorney, Agent, or Firm*—D. Peter Hochberg; Sean F. Mellino; Daniel J. Smola

(57) **CLAIM**

The ornamental design for a soap dispenser, as shown and described.

DESCRIPTION

FIG. 1 is a perspective view of the soap dispenser according to the invention;

FIG. 2 is a top view of the soap dispenser as shown in FIG. 1;

FIG. 3 is a side view of the soap dispenser as shown in FIG. 1;

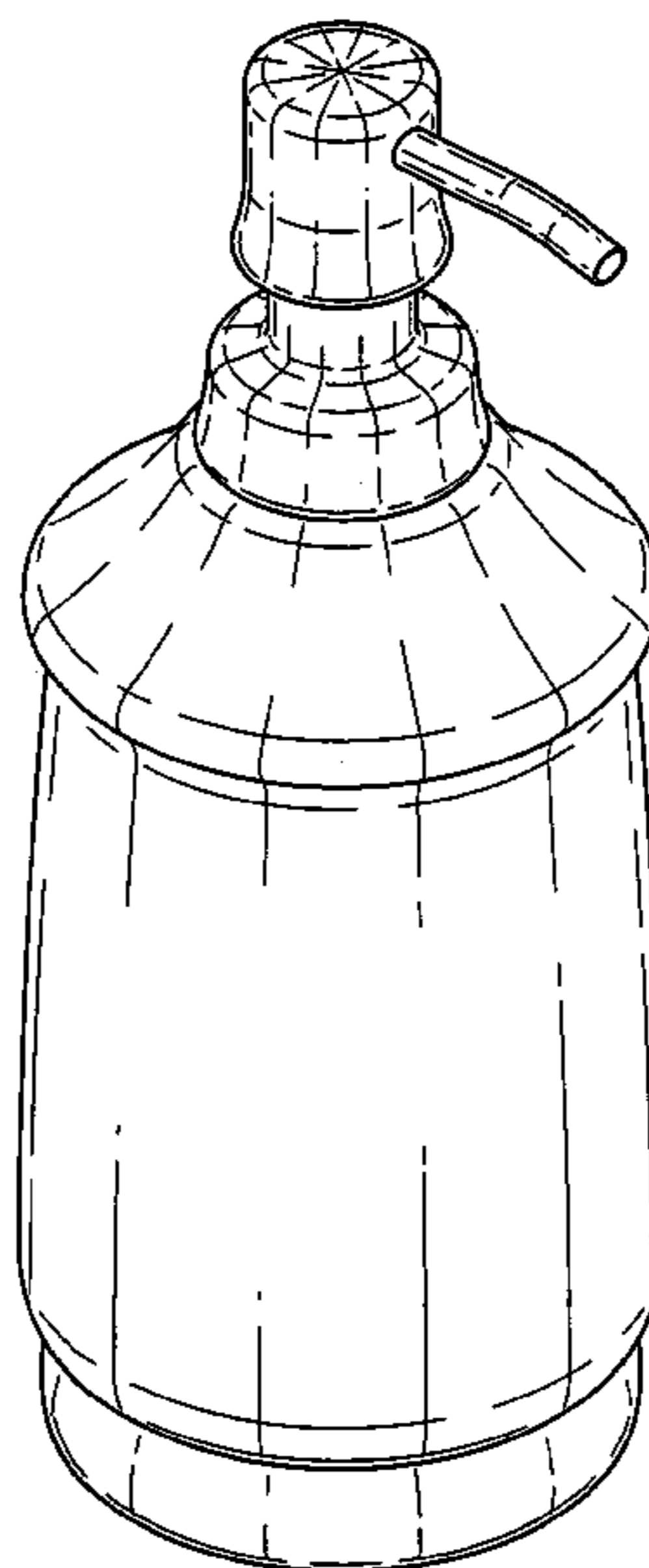
FIG. 4 is a front view of the soap dispenser as shown in FIG. 1;

FIG. 5 is a side view of the soap dispenser as shown in FIG. 1, as shown from the opposite side as that shown in FIG. 3;

FIG. 6 is a rear view of the soap dispenser as shown in FIG. 1; and,

FIG. 7 is a bottom view of the soap dispenser as shown in FIG. 1.

1 Claim, 3 Drawing Sheets



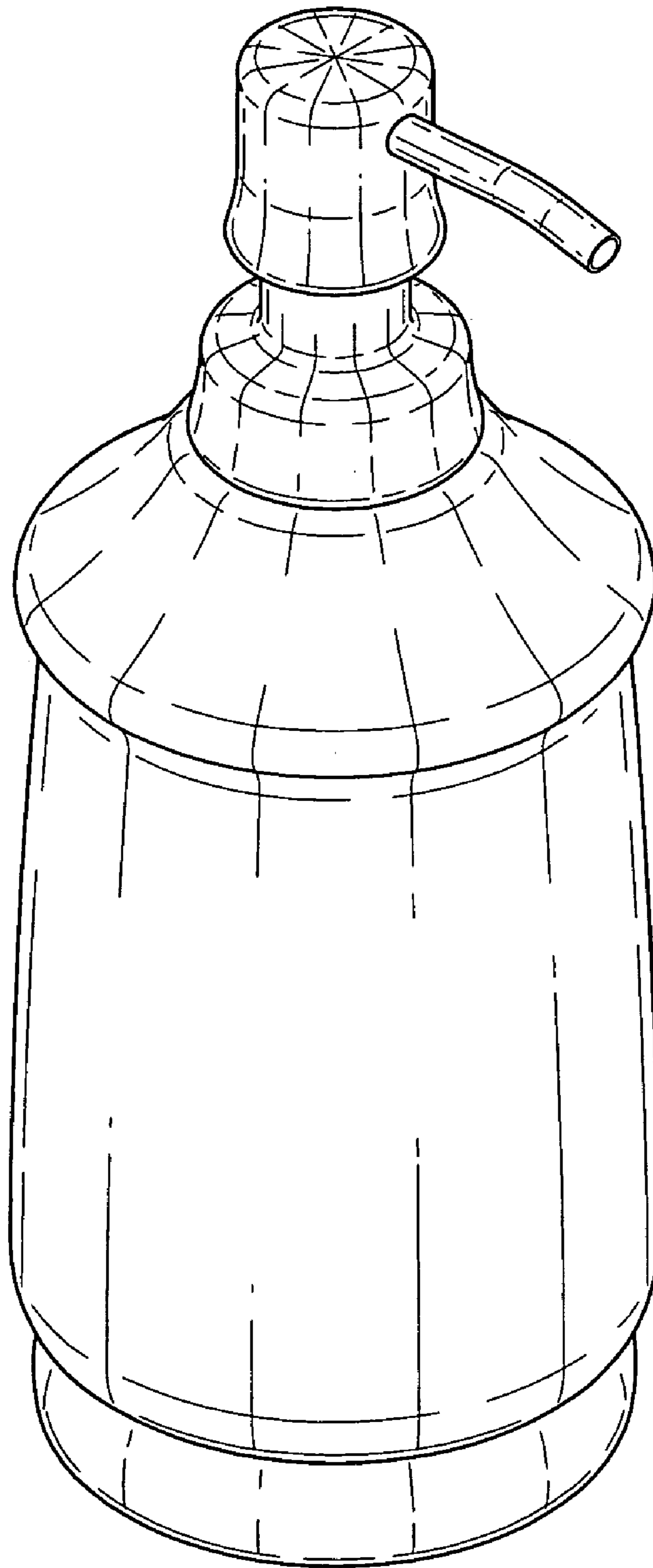


FIG-1

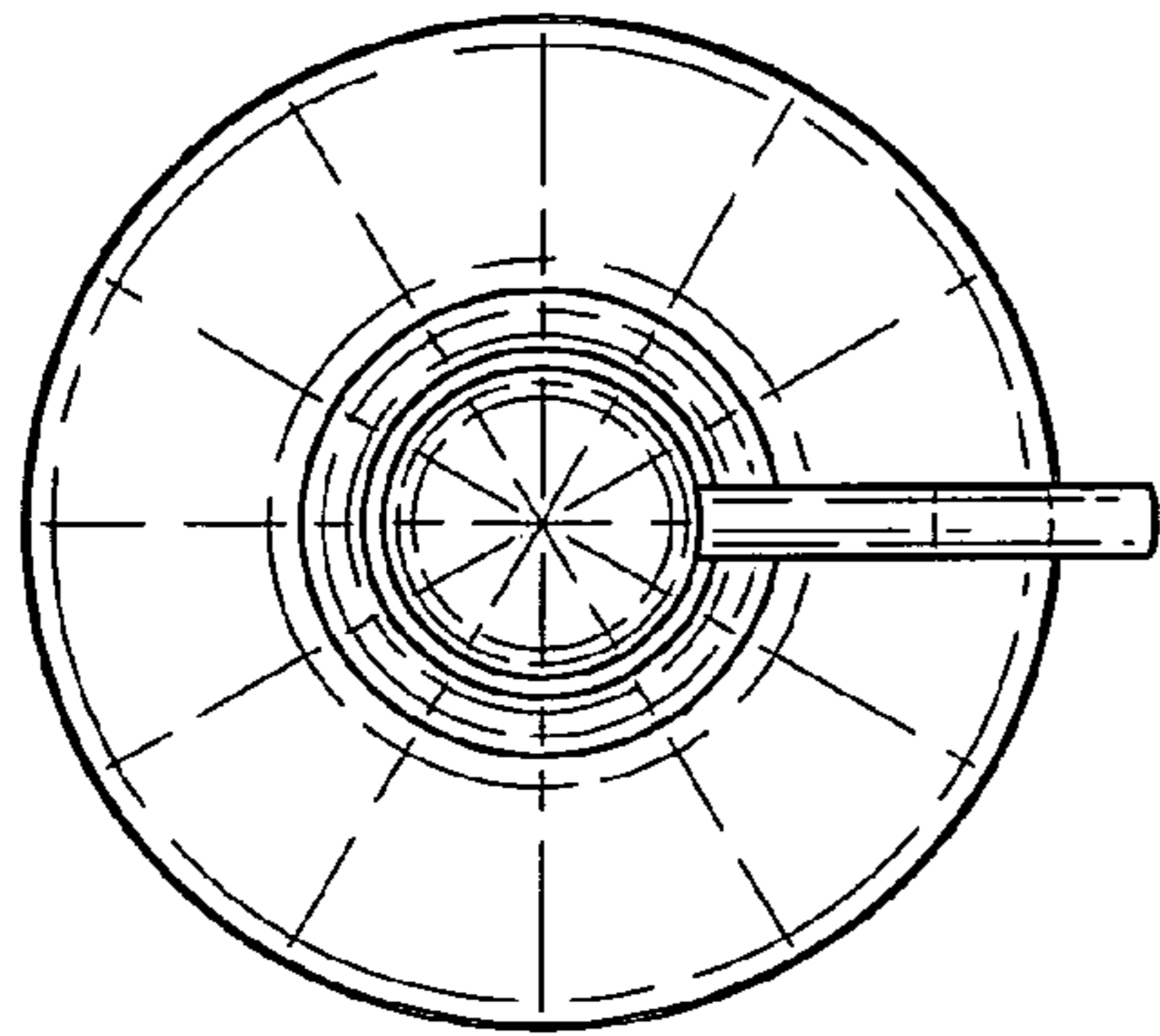


FIG-2

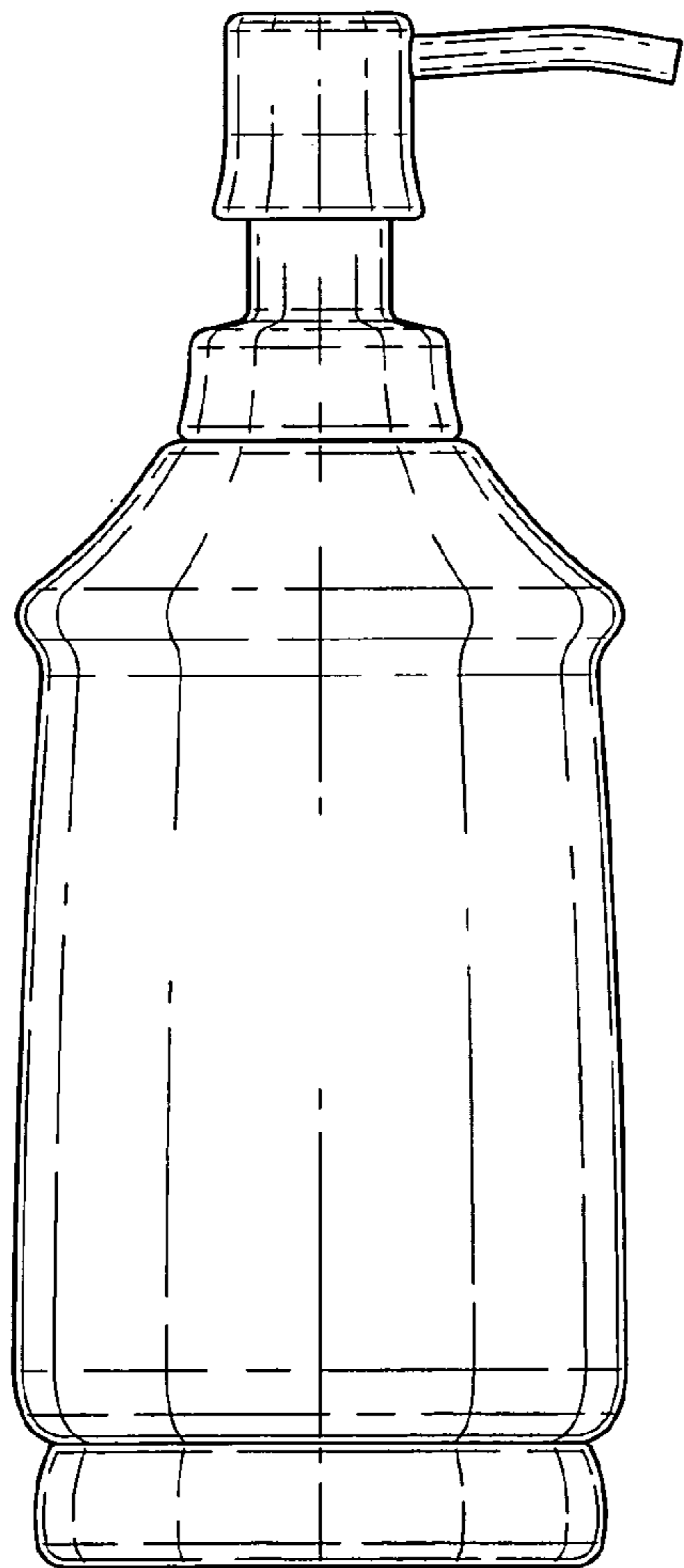


FIG-3

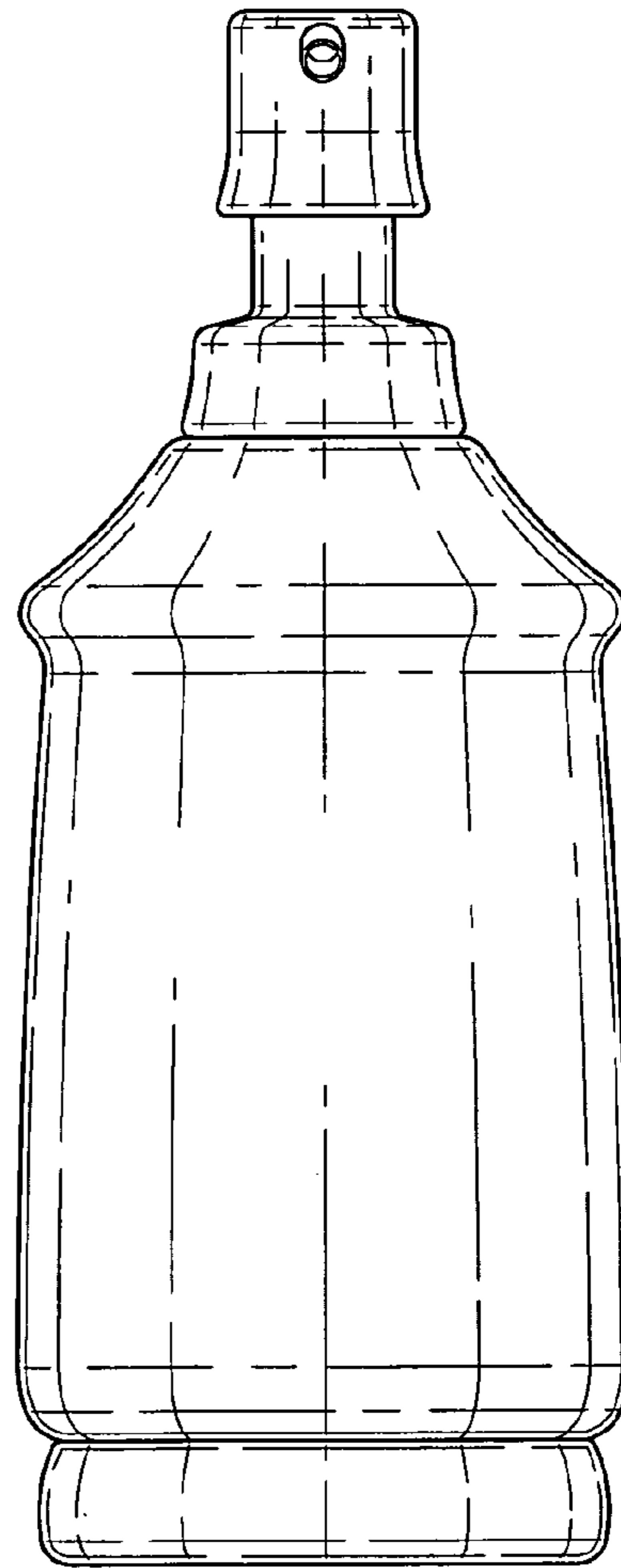


FIG-4

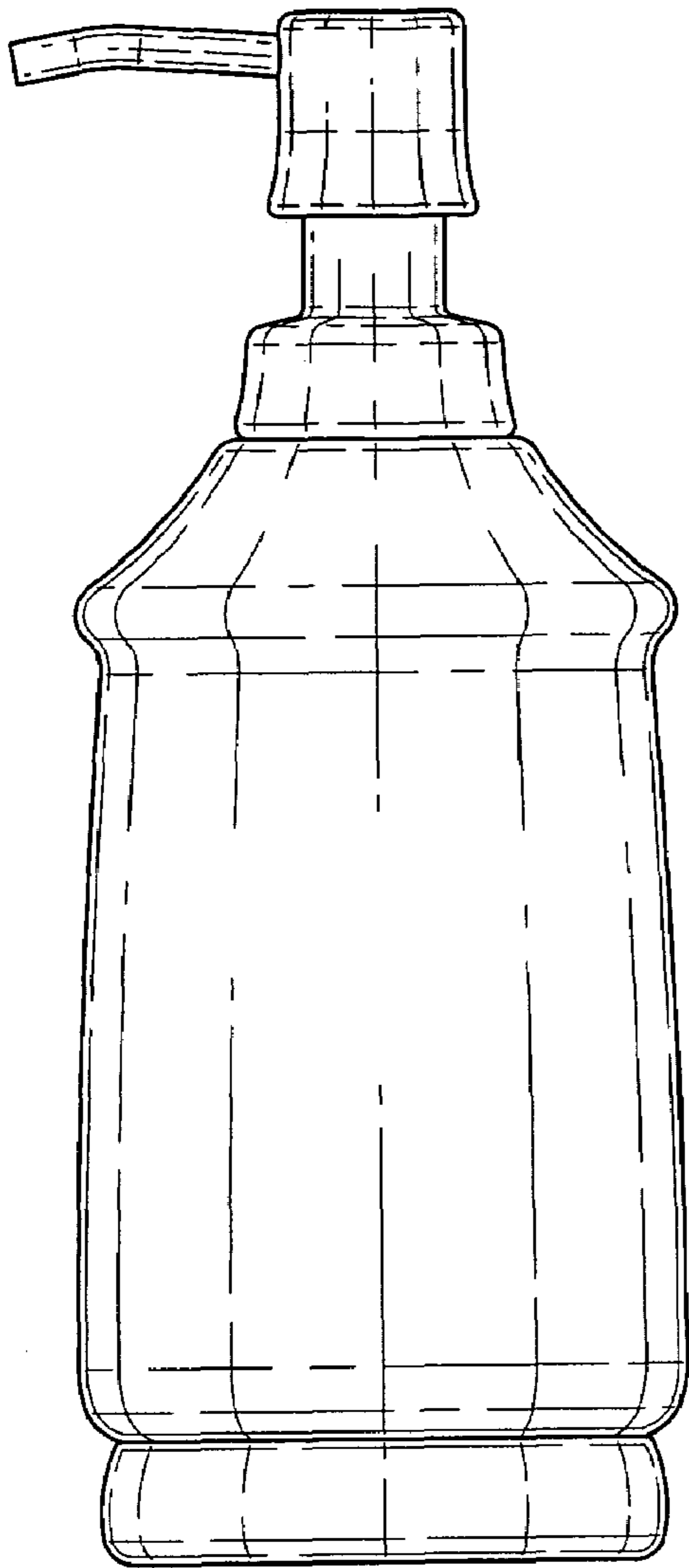


FIG-5

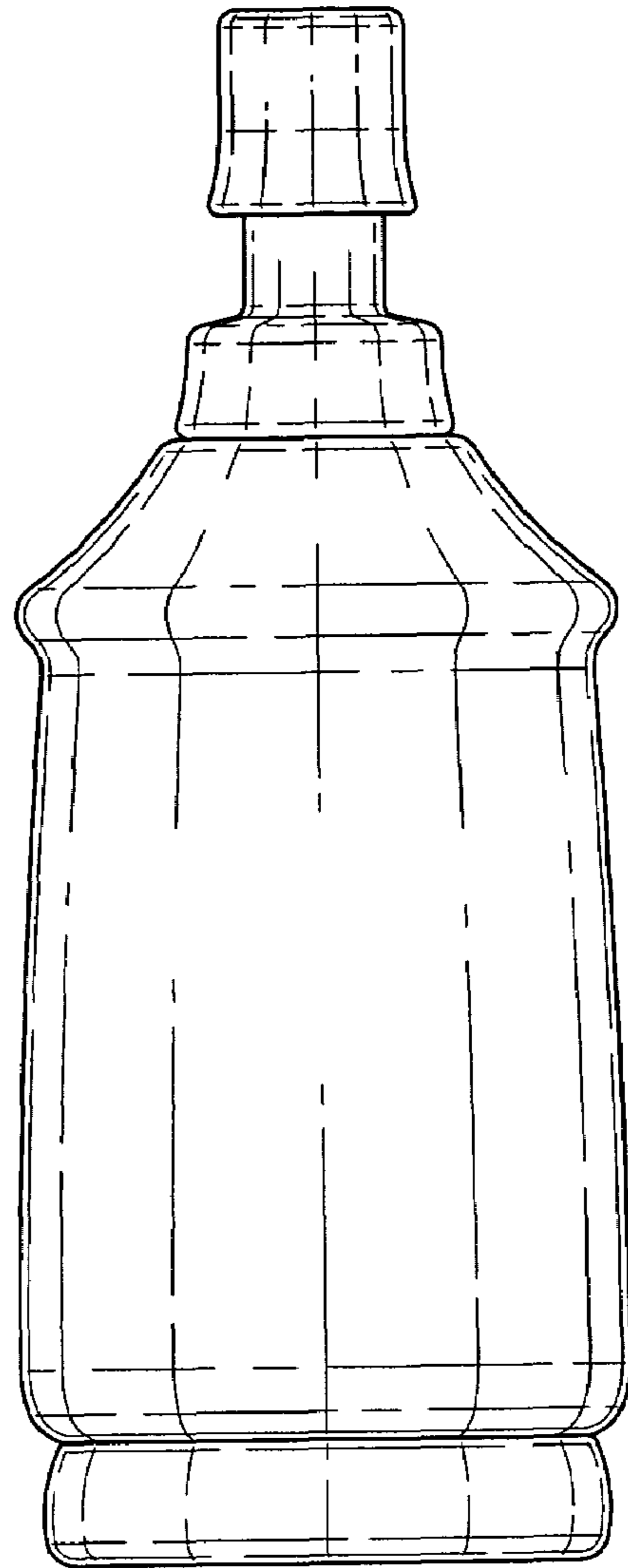


FIG-6

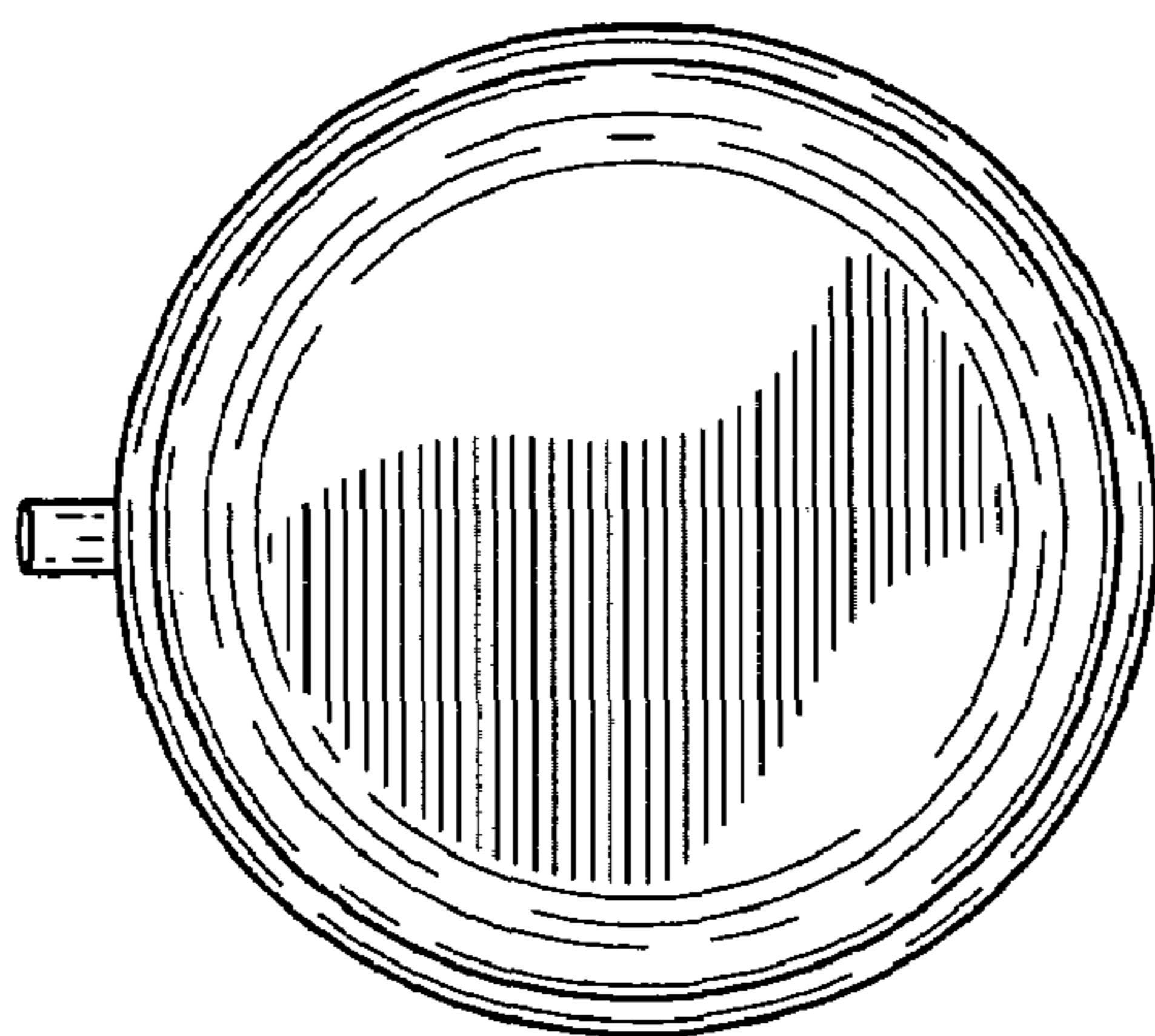


FIG-7