



US00D595521S

(12) **United States Design Patent**
Thielke et al.

(10) **Patent No.:** **US D595,521 S**
(45) **Date of Patent:** **** Jul. 7, 2009**

(54) **TOWEL DISPENSER**

D340,374 S 10/1993 Hines
D340,375 S 10/1993 Hines
D341,724 S 11/1993 Hines

(75) Inventors: **Mark A. Thielke**, Menomonee Falls, WI (US); **Jason M. Renner**, Greenfield, WI (US); **Mark A. Meyer**, Slinger, WI (US); **Kevin M. Kohlwey**, Port Washington, WI (US); **Glenn T. Walters**, Port Washington, WI (US)

FOREIGN PATENT DOCUMENTS

DE 69821140 11/2004
EP 1057441 9/2006
WO WO 2007/011747 A2 1/2007

(73) Assignee: **Bradley Fixtures Corporation**, Menomonee Falls, WI (US)

OTHER PUBLICATIONS

Bradley Corporation, Washroom Accessories, publicly available before Sep. 18, 2008, 4 pages.

(**) Term: **14 Years**

(Continued)

(21) Appl. No.: **29/306,946**

Primary Examiner—Brian N Vinson

(22) Filed: **Apr. 18, 2008**

(74) *Attorney, Agent, or Firm*—Foley & Lardner LLP

(51) **LOC (9) Cl.** **20-02**

(52) **U.S. Cl.** **D6/518**

(58) **Field of Classification Search** D6/515–523;
206/225, 233, 389, 391; 211/13.1, 45; 242/570,
242/590; 248/309.1, 309.2, 905; 221/26,
221/33, 282–283; 222/173, 180

See application file for complete search history.

(57) **CLAIM**

The ornamental design for a towel dispenser, as shown and described.

(56) **References Cited**

DESCRIPTION

FIG. 1 is a top, front, and left side perspective view of a towel dispenser showing our new design;

FIG. 2 is a top, right side, and rear perspective view thereof;

FIG. 3 is a front elevational view thereof;

FIG. 4 is a rear elevational view thereof;

FIG. 5 is a top plan view thereof;

FIG. 6 is a bottom plan view thereof;

FIG. 7 is a left side elevational view thereof; and,

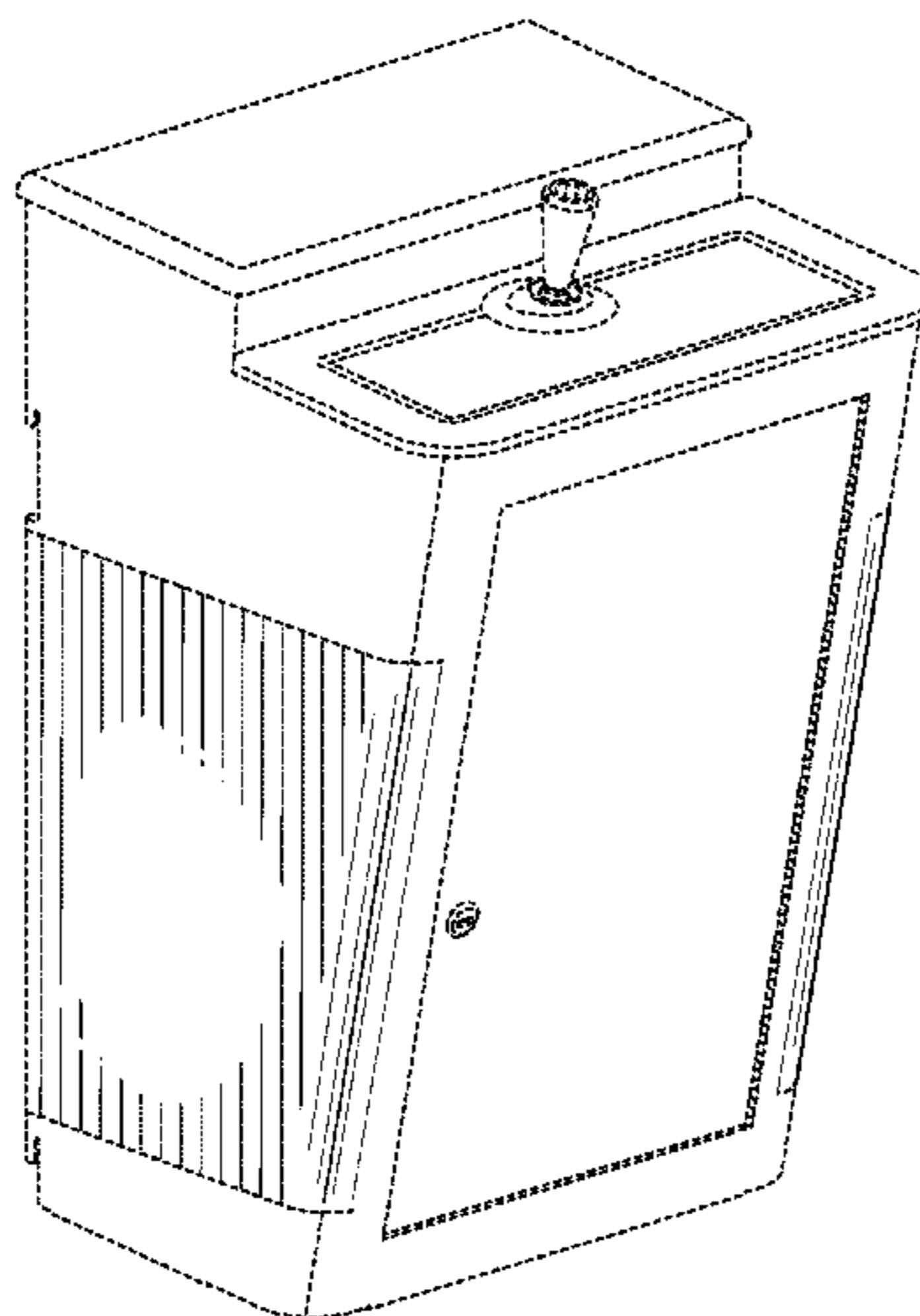
FIG. 8 is a right side elevational view thereof.

The portions of the towel holder shown in broken-lines are understood to form no part of the claimed design, and the broken lines adjacent to areas provided with surface shading which constitute the extent of the claimed design, are understood to represent an unclaimed boundary between claimed and unclaimed surfaces.

U.S. PATENT DOCUMENTS

2,470,187 A	5/1949	Price
4,611,768 A	9/1986	Voss et al.
D332,194 S	1/1993	Hines
D332,195 S	1/1993	Hines
D332,196 S	1/1993	Hines
D332,365 S	1/1993	Hines
D332,366 S	1/1993	Hines
D332,369 S	1/1993	Hanna et al.
D332,370 S	1/1993	Hanna et al.
D332,542 S	1/1993	Hines
D332,679 S	1/1993	Hines
D332,849 S	1/1993	Hines
D332,889 S	2/1993	Hines
D334,266 S	3/1993	Hines
D338,361 S	8/1993	Hines

1 Claim, 7 Drawing Sheets



U.S. PATENT DOCUMENTS

D342,175	S	12/1993	Hines	
D342,177	S	12/1993	Hanna et al.	
D448,222	S *	9/2001	Fisscher	D6/518
D553,402	S *	10/2007	Orgna et al.	D6/518
D567,556	S *	4/2008	Orgna et al.	D6/522
D568,655	S *	5/2008	Friesen et al.	D6/518
D578,329	S *	10/2008	Wells et al.	D6/518
2007/0023565	A1	2/2007	Babikian	

OTHER PUBLICATIONS

Bradley Corporation, Commercial Washroom Solutions, publicly available before Sep. 18, 2008, 4 pages.

Bradley Corporation, Washroom Accessories, publicly available before Sep. 18, 2008, 8 pages.

Bradley Corporation, Plumbing Fixtures, publicly available before Sep. 18, 2008, 12 pages.

Bradley Corporation, "Installation Instructions 2483 Surface-Mounted Towel Dispenser," dated Sep. 4, 2003, 1 page.

Bradley Corporation, "Installation 270 Towel Dispenser/Waste Receptacle," dated Jun. 15, 2008, 2 pages.

Bradley Corporation, "Towel Dispenser/Waste Receptacle Model 227," publicly available by Sep. 18, 2008, 2 pages.

Bradley Corporation, "Towel Dispenser—Center Pull/Waste Receptacle Model 236," dated Feb. 11, 2005, 1 page.

Bradley Corporation, "Installation 236 Towel/Waste Unit with Center Pull," dated Mar. 9, 2005, 2 pages.

Bradley Corporation, "Towel Dispenser Model 2481," dated Dec. 21, 2004, 2 pages.

Bradley Corporation, "Towel Dispenser Model 2479-000000," dated Mar. 31, 2006, 1 page.

Bradley Corporation, "Towel Dispenser Model 2479-110000," dated Feb. 11, 2005, 1 page.

Bradley Corporation, Installation Instructions 2479 Recess-Mounted Towel Dispenser, dated Mar. 3, 2004, 1 page.

Bradley Corporation, "Installation Instructions 2479-11 Surface-Mounted Towel Dispenser," dated Feb. 27, 2004, 2 pages.

Bradley Corporation, "Towel Dispenser Model 2490," dated Nov. 21, 2005, 3 pages.

Bobrick Technical Data, "Contura™ Series Surface-Mounted Paper Towel Dispenser B-4262," dated Jun. 2006, 1 page.

Bobrick Technical Data, "Contura™ Series Surface-Mounted Multi-Roll Toilet Tissue Dispenser B-4288," dated May 2006, 1 page.

Bobrick Technical Data, "Contura™ Series Recessed Multi-Roll Toilet Tissue Dispenser B-4388," dated May 2006, 1 page.

Bobrick Technical Data, "Contura™ Series Recessed Paper Towel Dispenser B-4362," dated Nov. 2006, 1 page.

Bobrick Technical Data, "Contura™ Series Recessed Waste Receptacle B-43644," dated Nov. 2006, 1 page.

Bobrick Technical Data, "Contura™ Series Recessed Paper Towel Dispenser And Waste Receptacle B-43944," dated Nov. 2006, 2 pages.

Bobrick Technical Data, "Contura™ Series Surface-Mounted Sanitary Napkin Disposal B-270," dated May 2006, 1 page.

Bobrick Technical Data, "Contura™ Series Recessed Soap Dispenser B-4063," accessed on Mar. 28, 2007, 1 page.

Bobrick Technical Data, "Contura™ Series Surface-Mounted Soap Dispenser B-4112," dated May 2006, 1 page.

Bradley Corporation, Washroom Accessories, believed to be publicly available Jul. 2007, 4 pages.

Bradley Corporation, Commercial Washroom Solutions, believed to be publicly available Jan. 2006, 4 pages.

Bradley Corporation, Washroom Accessories, believed to be publicly available Aug. 2003, 8 pages.

Bradley Corporation, Washroom Accessories, believed to be publicly available Jan. 2006, 4 pages.

Bradley Corporation, Plumbing Fixtures, believed to be publicly available Aug. 2002, 12 pages.

Bradley Corporation, Washroom Accessories, believed to be publicly available Jan. 2008, 4 pages.

Bradley Corporation, "Towel Dispenser/Waste Receptacle Model 227," believed to be publicly available Jun. 2002, 2 pages.

* cited by examiner

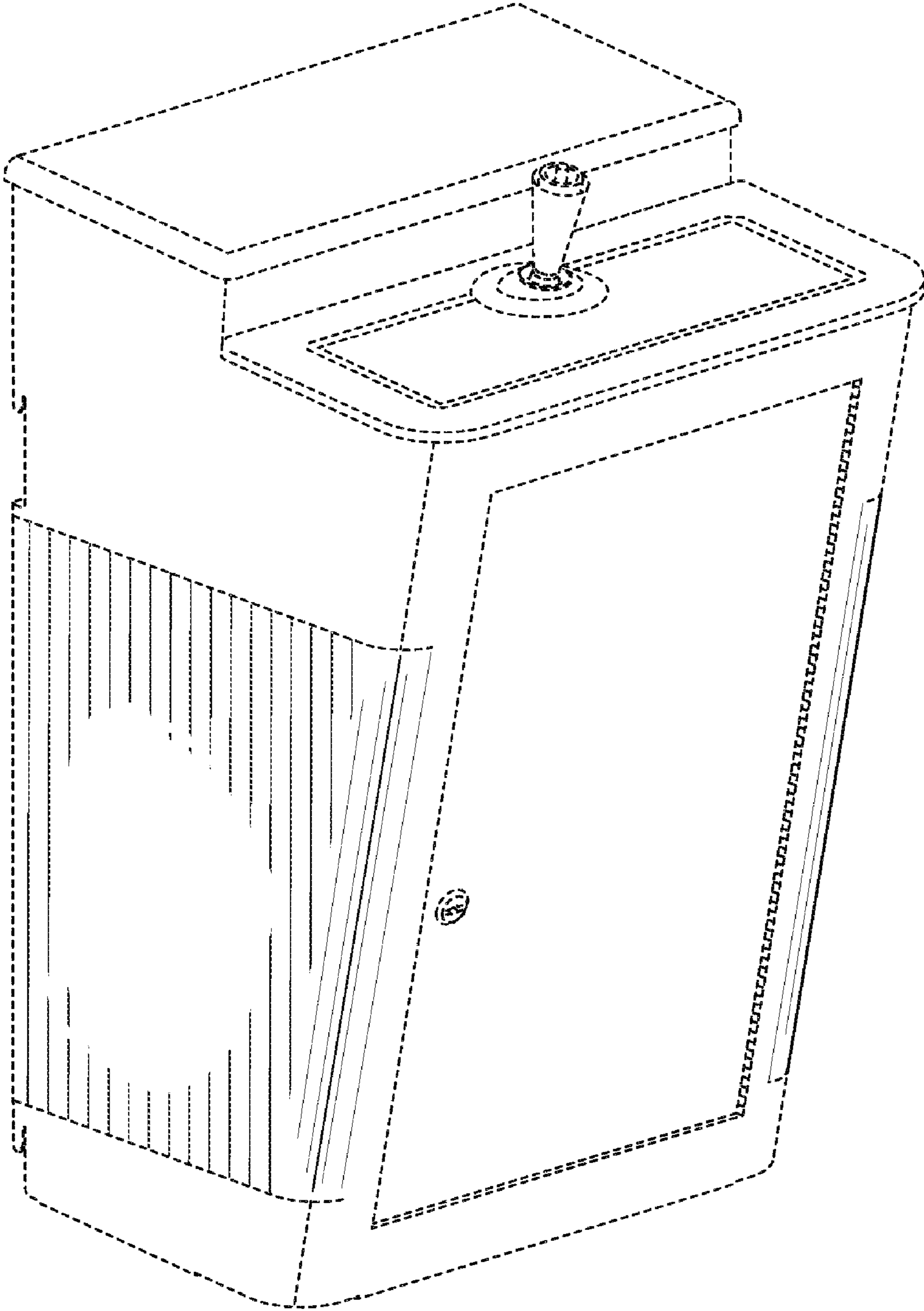


FIG. 1

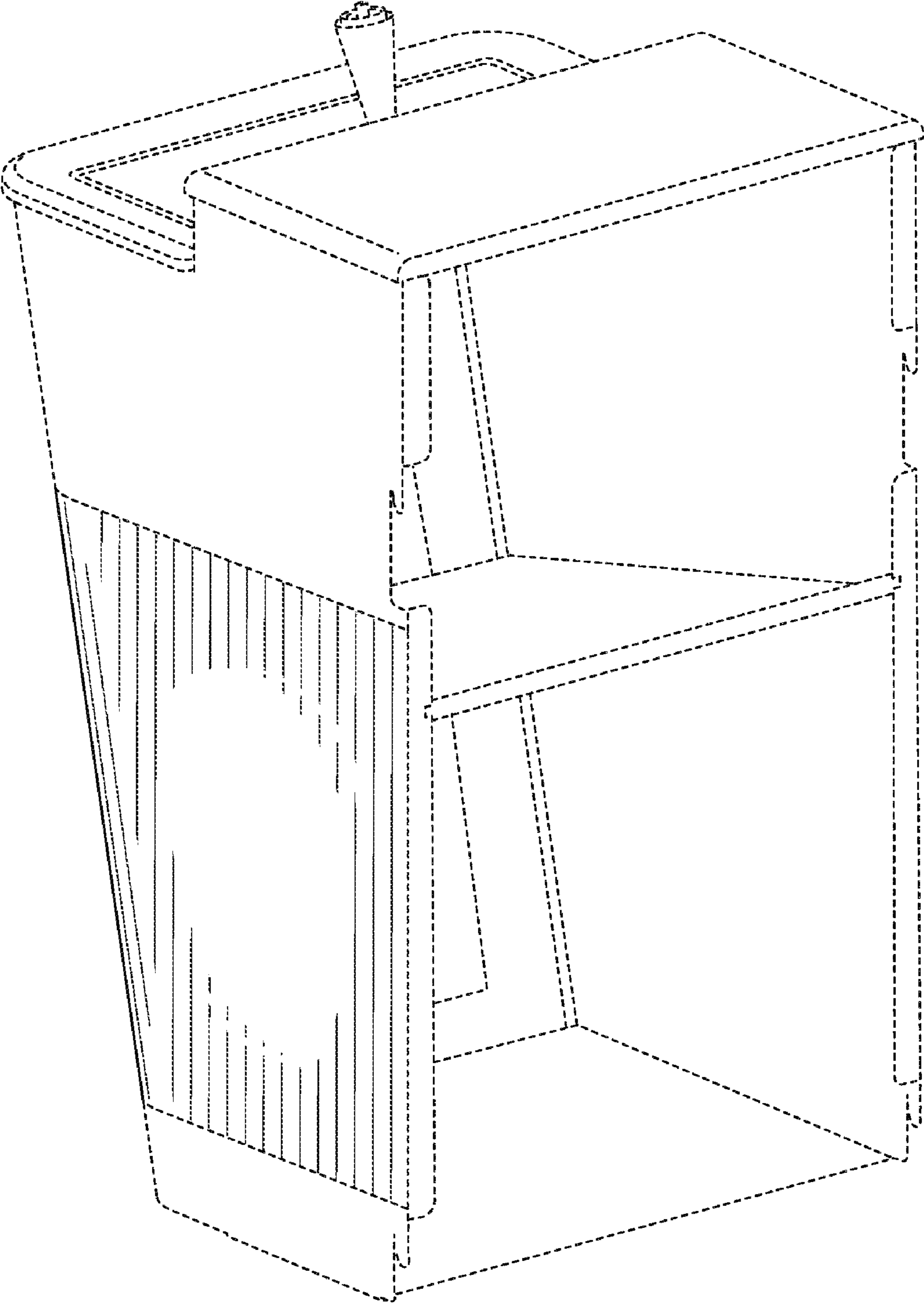


FIG. 2

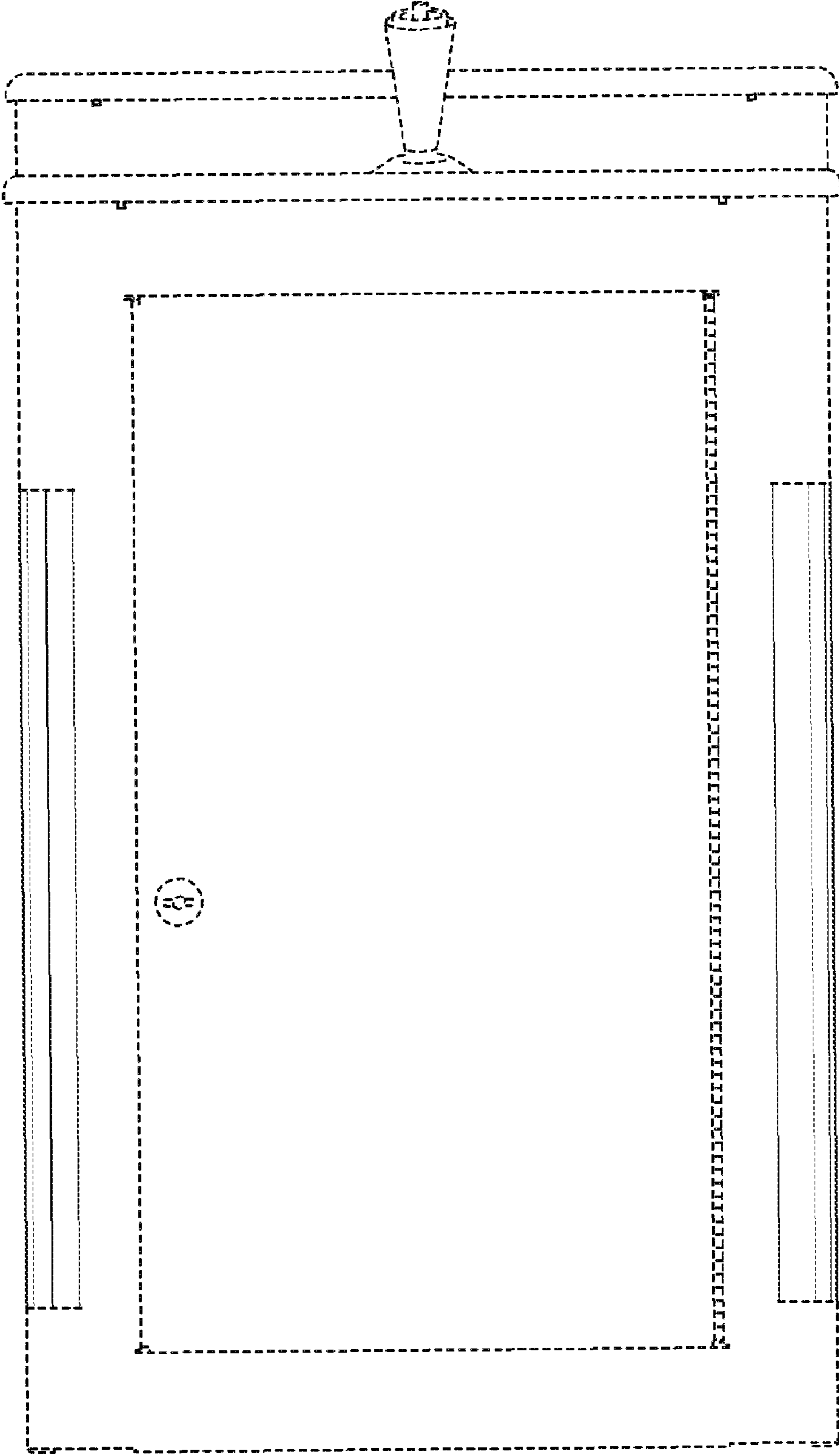


FIG. 3

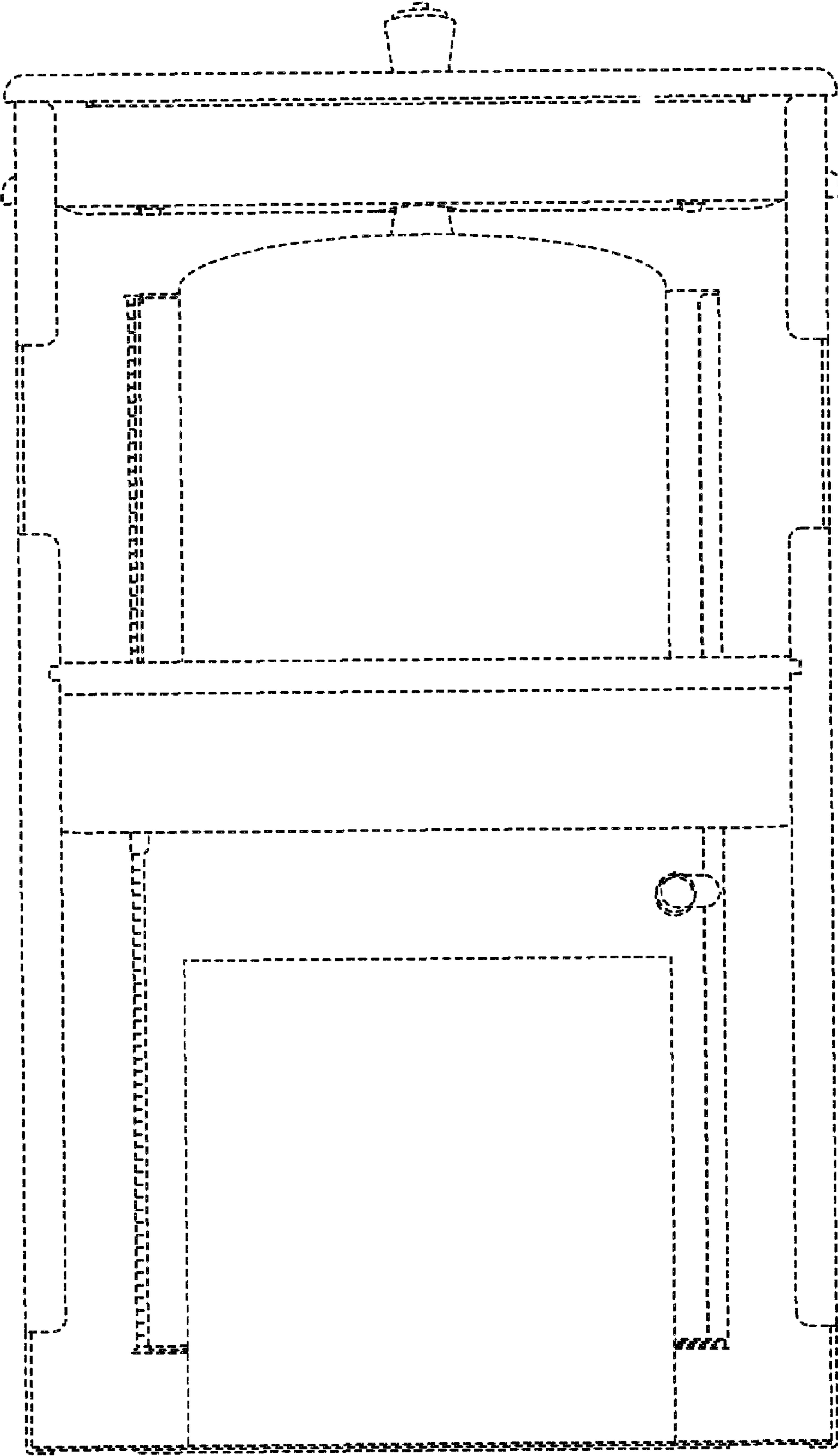


FIG. 4

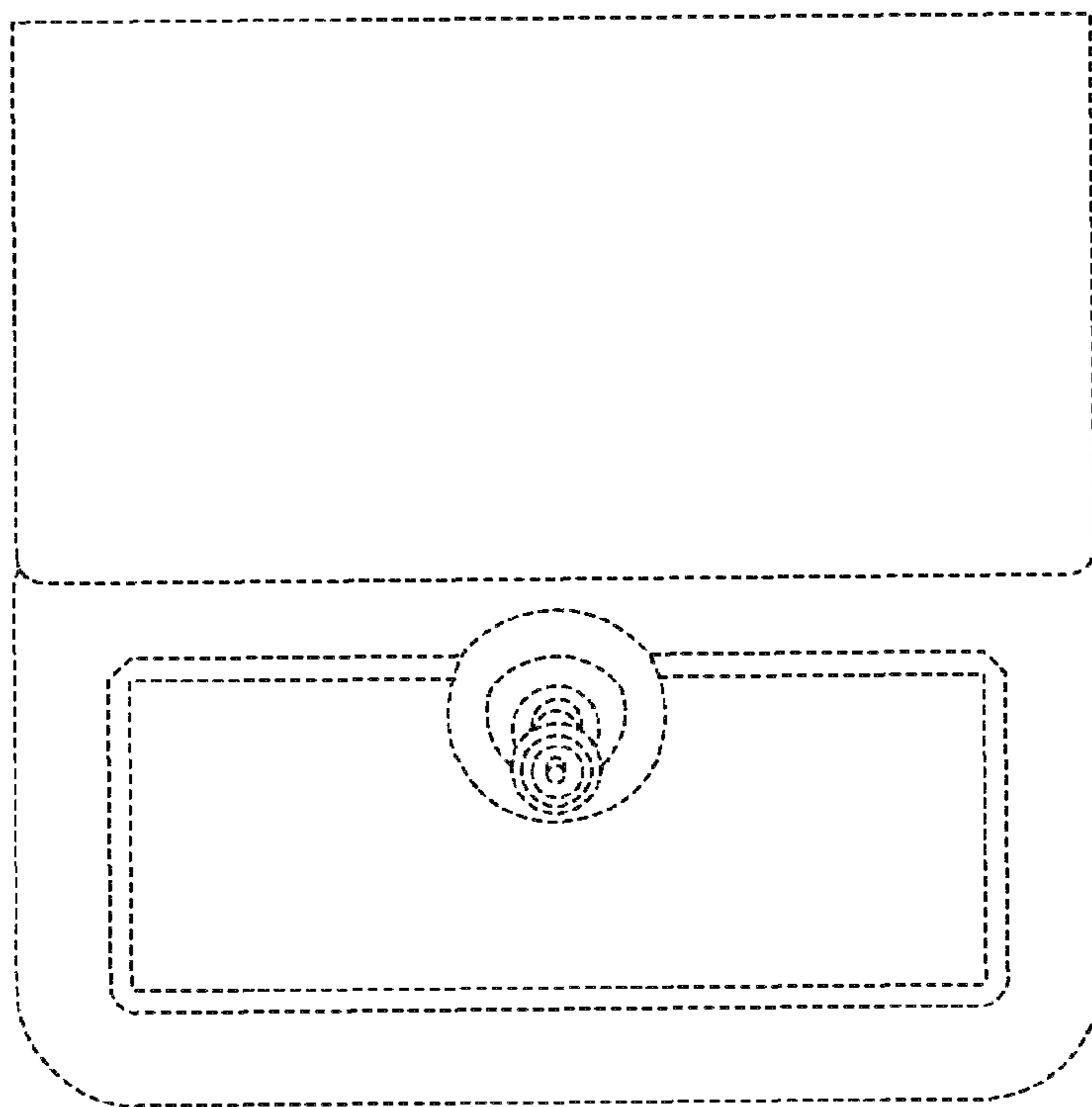


FIG. 5

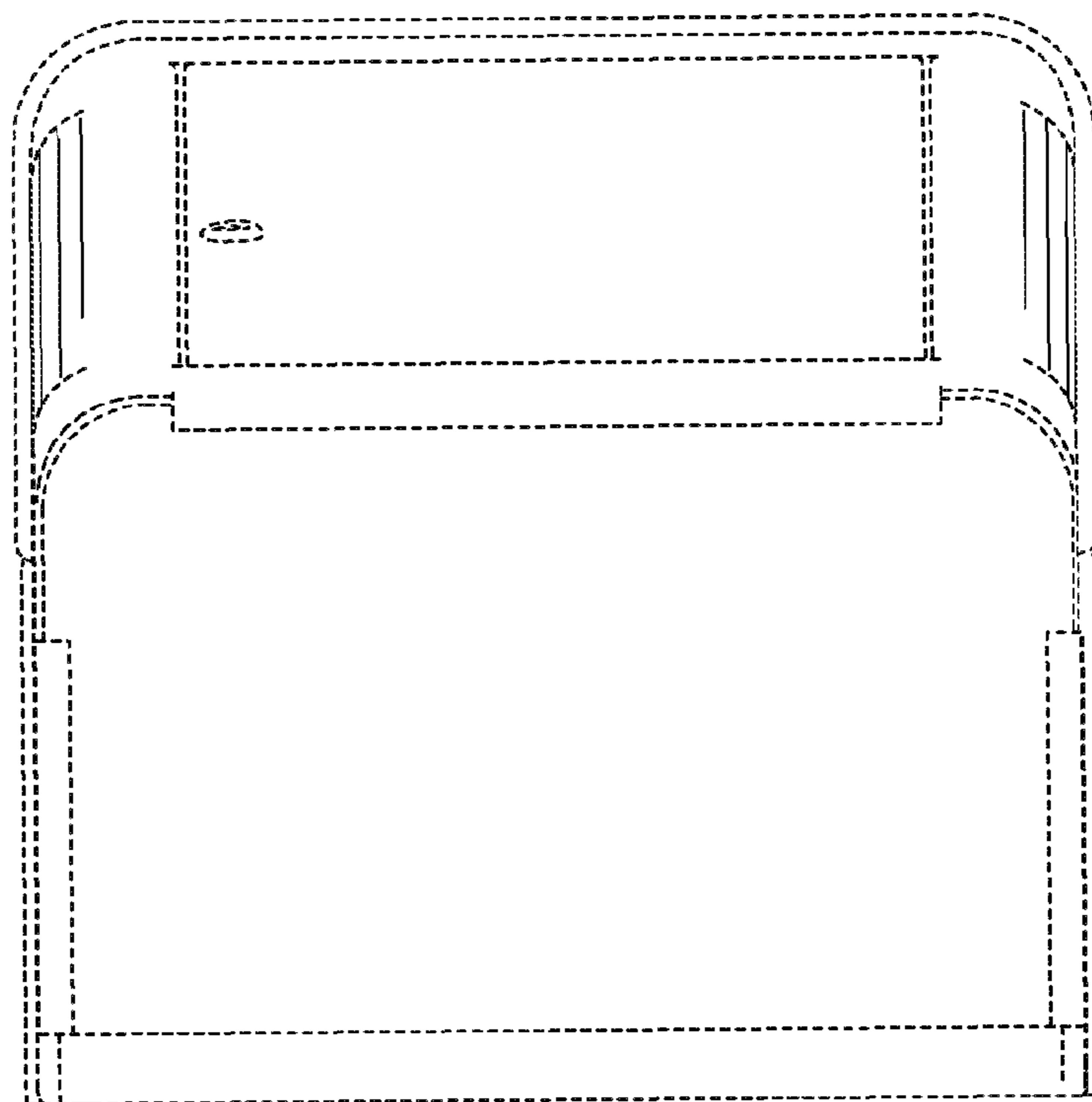


FIG. 6

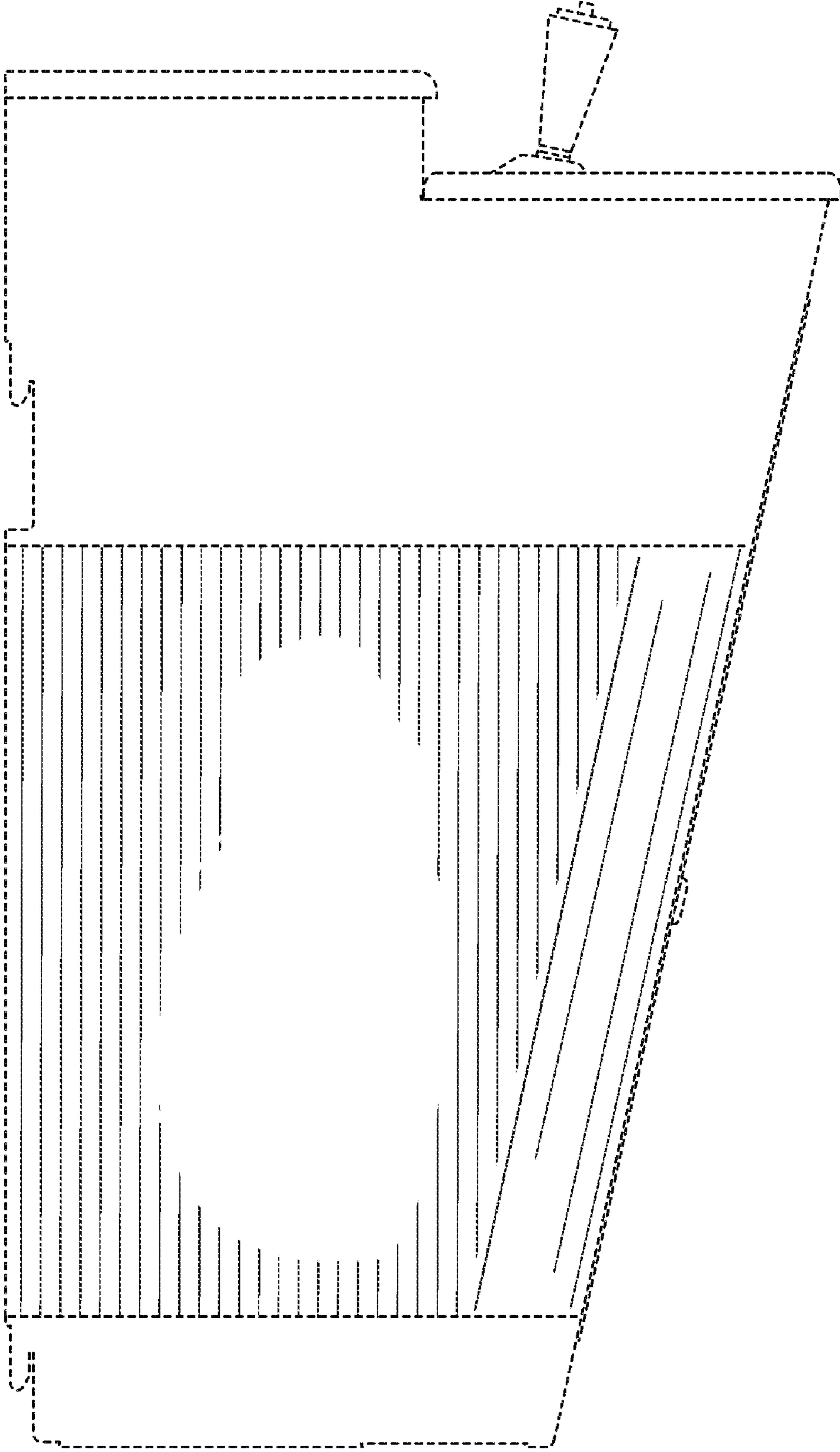


FIG. 7

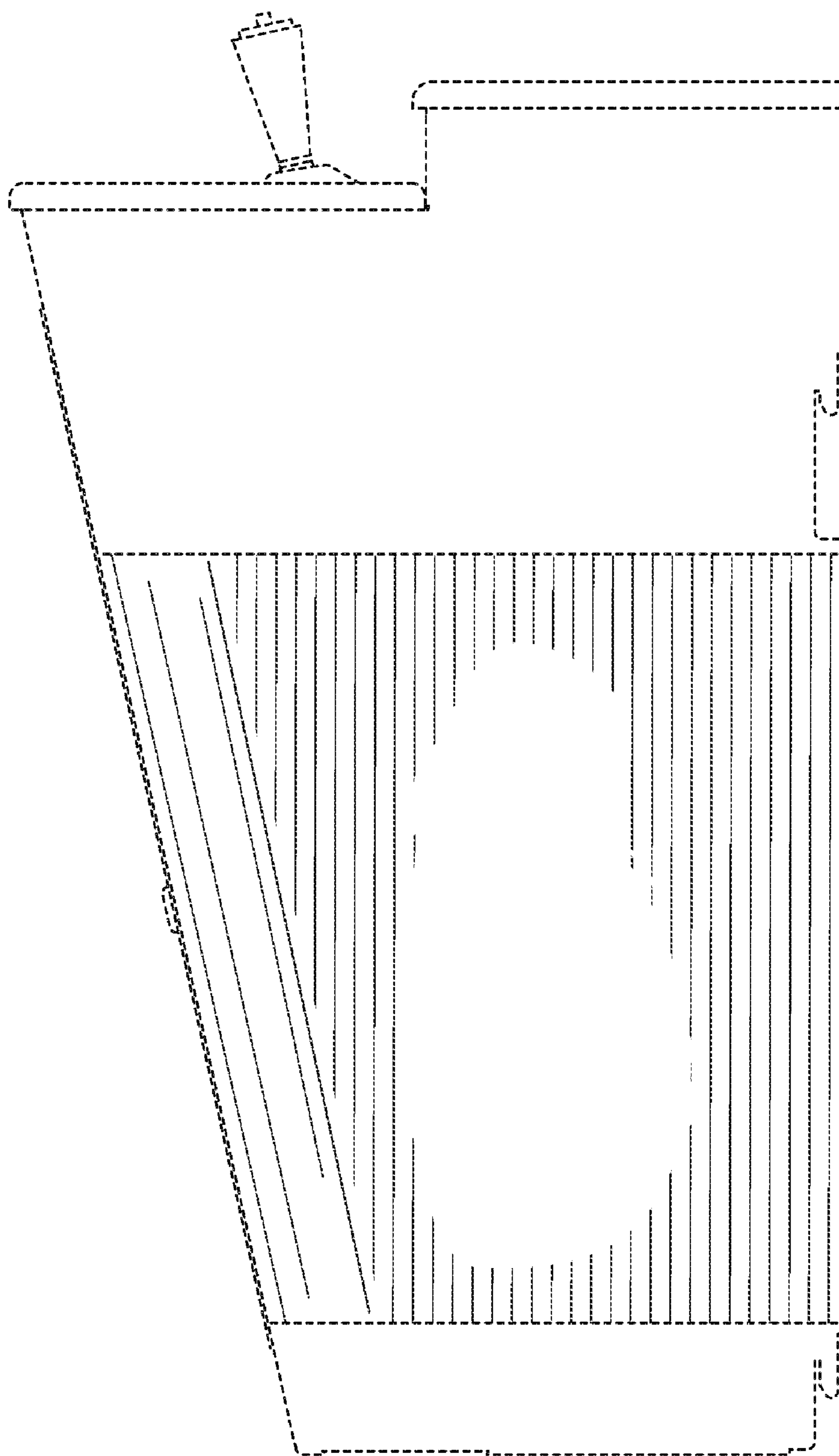


FIG. 8