

US00D595517S

(12) **United States Design Patent**
Fiori

(10) **Patent No.:** **US D595,517 S**
(45) **Date of Patent:** **** Jul. 7, 2009**

(54) **FOOD STORAGE CABINET**

(76) Inventor: **Mark Victor Keefe Fiori**, 78 Johanson Promenade Murdoch, Western Australia (AU) 6150

(**) Term: **14 Years**

(21) Appl. No.: **29/300,893**

(22) Filed: **May 27, 2008**

(30) **Foreign Application Priority Data**

Nov. 27, 2007 (AU) 21001/2007

(51) **LOC (9) Cl.** **06-04**

(52) **U.S. Cl.** **D6/436**

(58) **Field of Classification Search** D6/430, D6/432-448, 470-472; 312/138.1, 204, 312/209, 237, 257.1; D34/19, 20, 21; 219/387 See application file for complete search history.

(56) **References Cited**

U.S. PATENT DOCUMENTS

- D130,079 S * 10/1941 Weller D6/430
- 2,948,798 A * 8/1960 Ness 219/387
- D218,327 S * 8/1970 Acerbis D6/446
- D231,297 S * 4/1974 Porter D6/436
- D239,241 S * 3/1976 Buday D6/436
- D271,733 S * 12/1983 Daventry D6/436
- 4,588,237 A * 5/1986 Marder 312/209

- D323,051 S * 1/1992 Baggott D34/19
- D379,566 S * 6/1997 Ewens et al. D6/445
- D509,380 S * 9/2005 Lines D6/470
- D545,590 S * 7/2007 Good D6/446

* cited by examiner

Primary Examiner—Mimosa De
(74) *Attorney, Agent, or Firm*—Venable LLP; Robert Kinberg; Justine A. Gozzi

(57) **CLAIM**

The ornamental design for a food storage cabinet, as shown and described.

DESCRIPTION

FIG. 1 is an isometric view of a food storage cabinet according to the present invention;

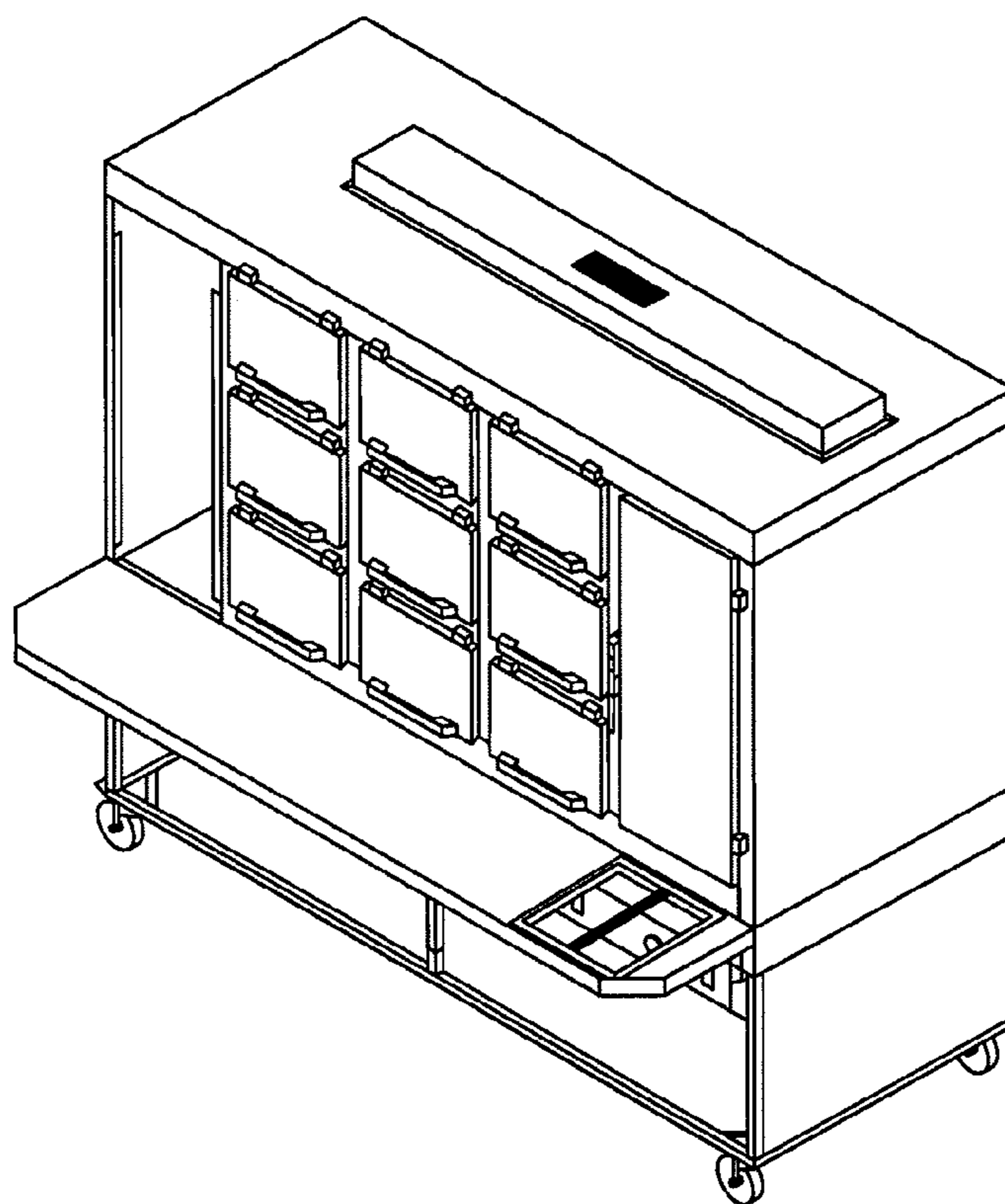
FIG. 2 is an end view of a food storage cabinet according to the present invention, with the opposite end being a mirror image of FIG. 2;

FIG. 3 is a top view of a food storage cabinet according to the present invention, with the bottom view being flat and devoid of surface ornamentation;

FIG. 4 is a front view of a food storage cabinet according to the present invention; and,

FIG. 5 is a rear view of a food storage cabinet according to the present invention.

1 Claim, 3 Drawing Sheets



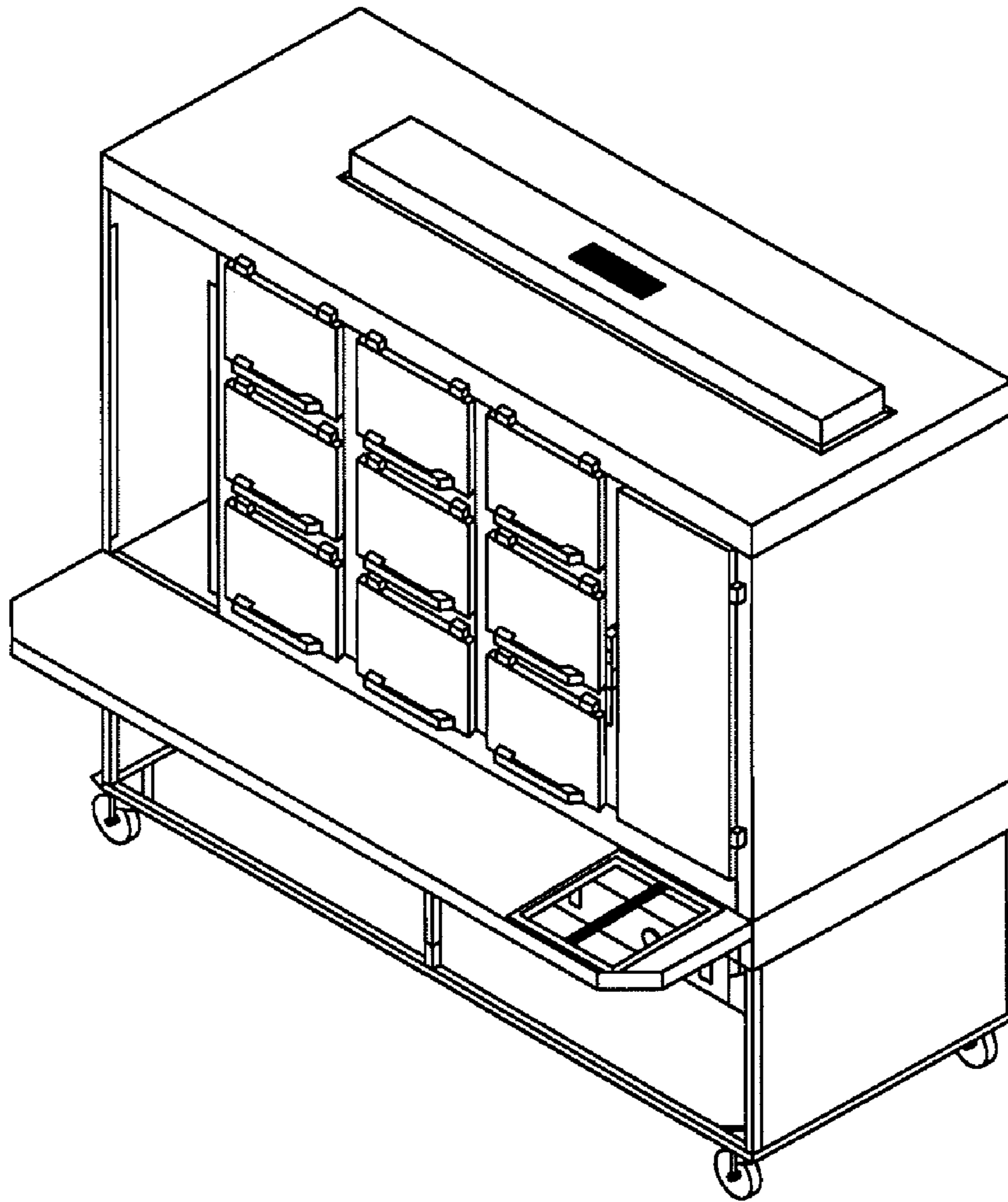


FIG. 1

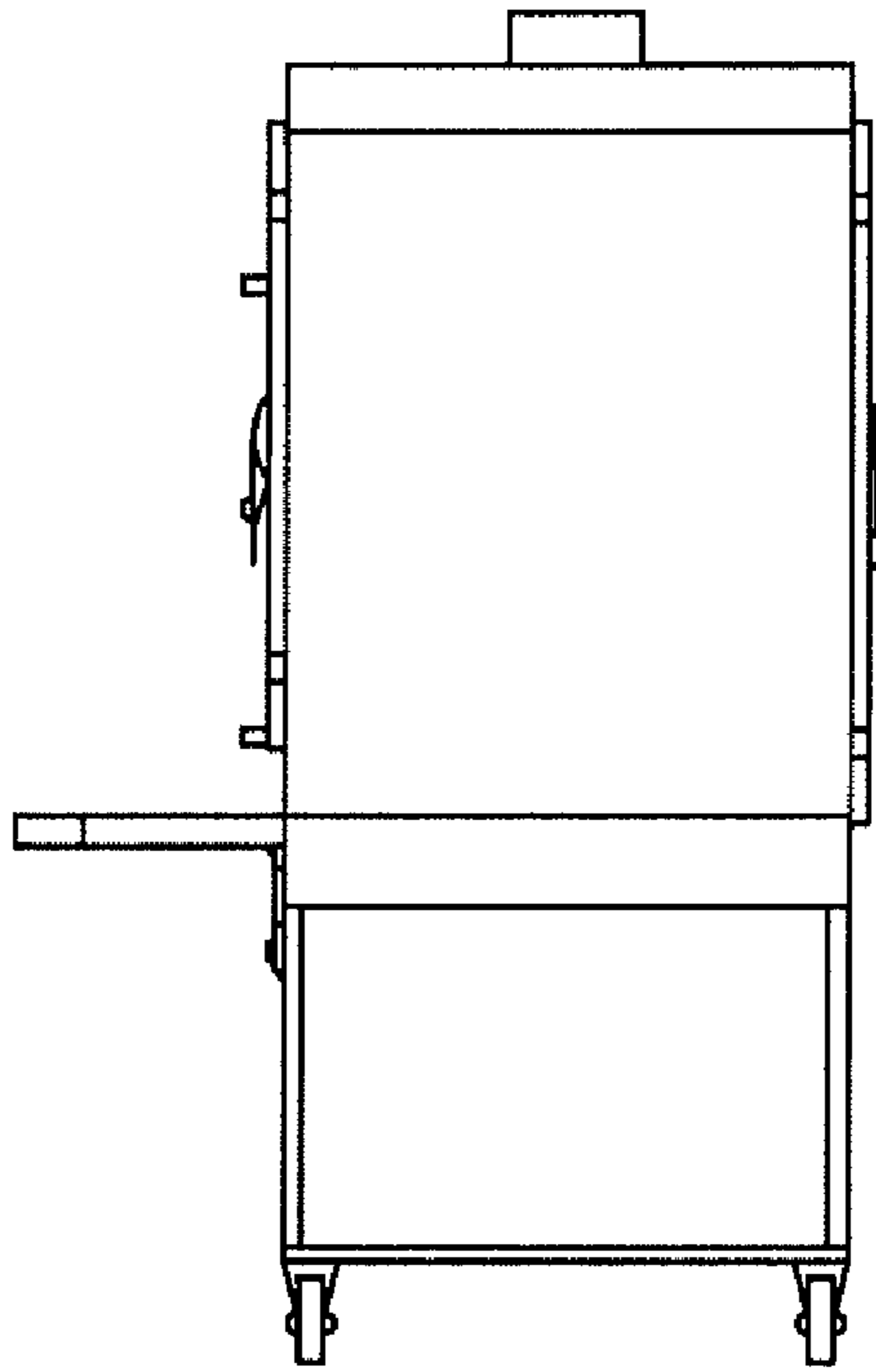


FIG. 2

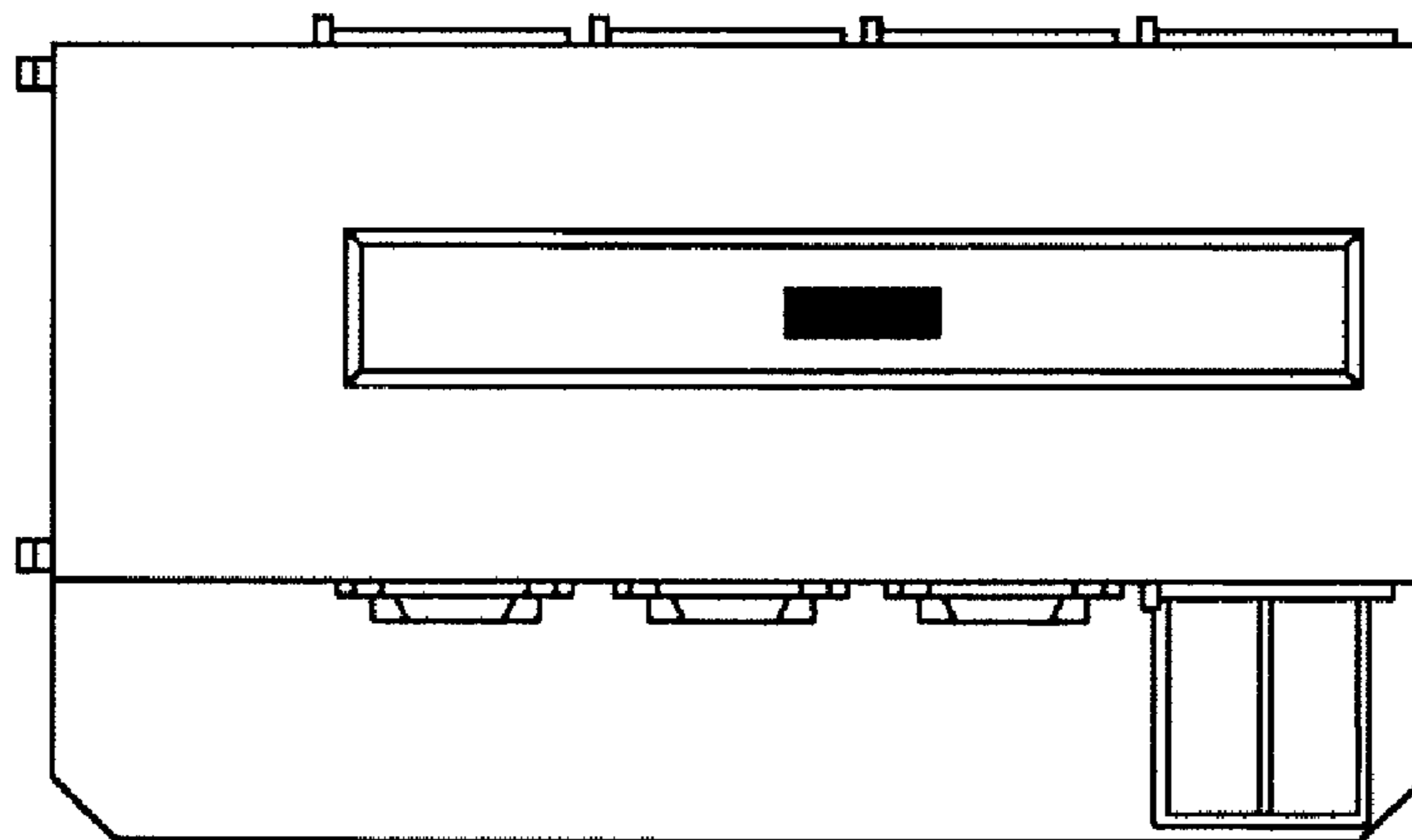


FIG. 3

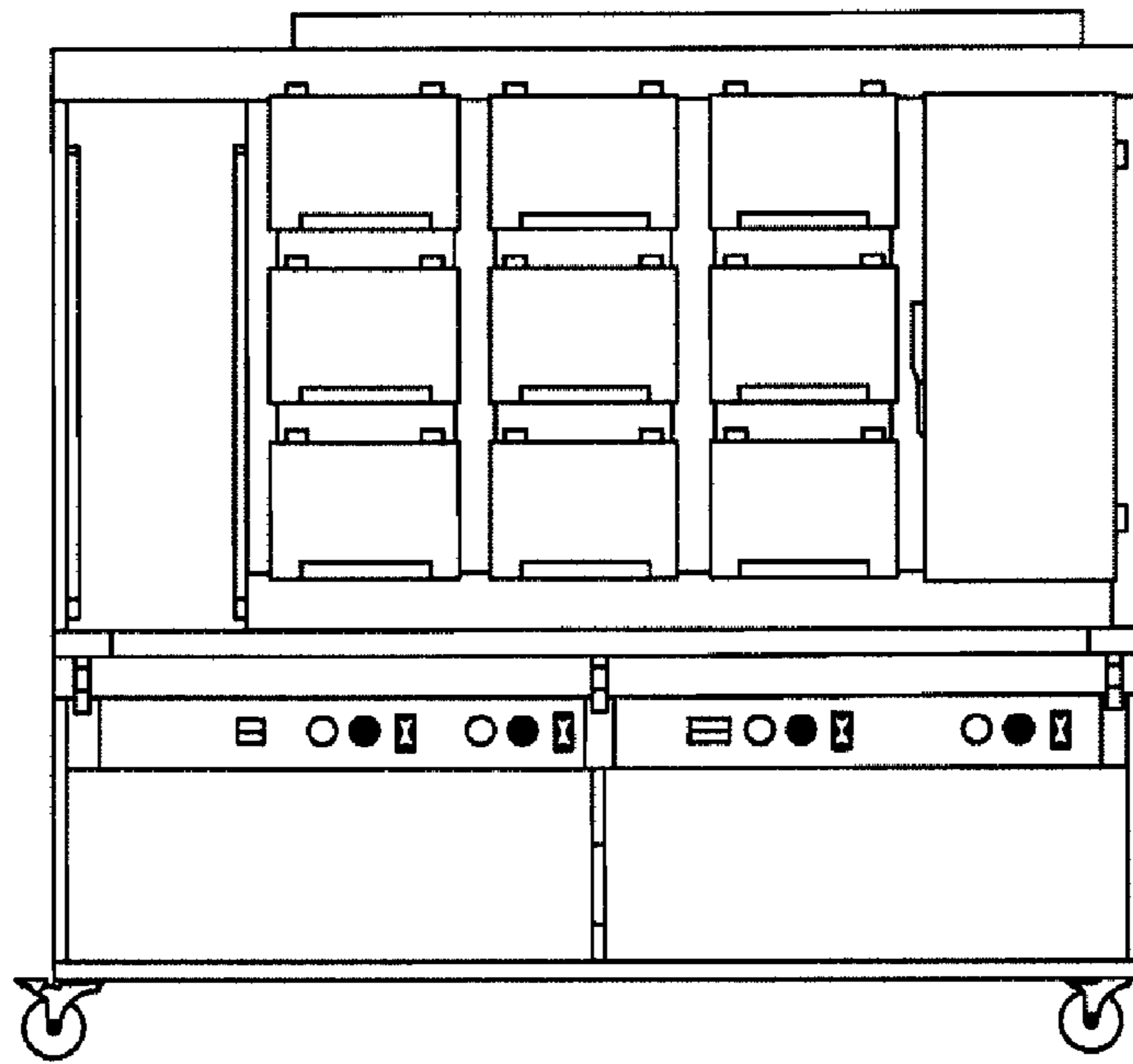


FIG. 4

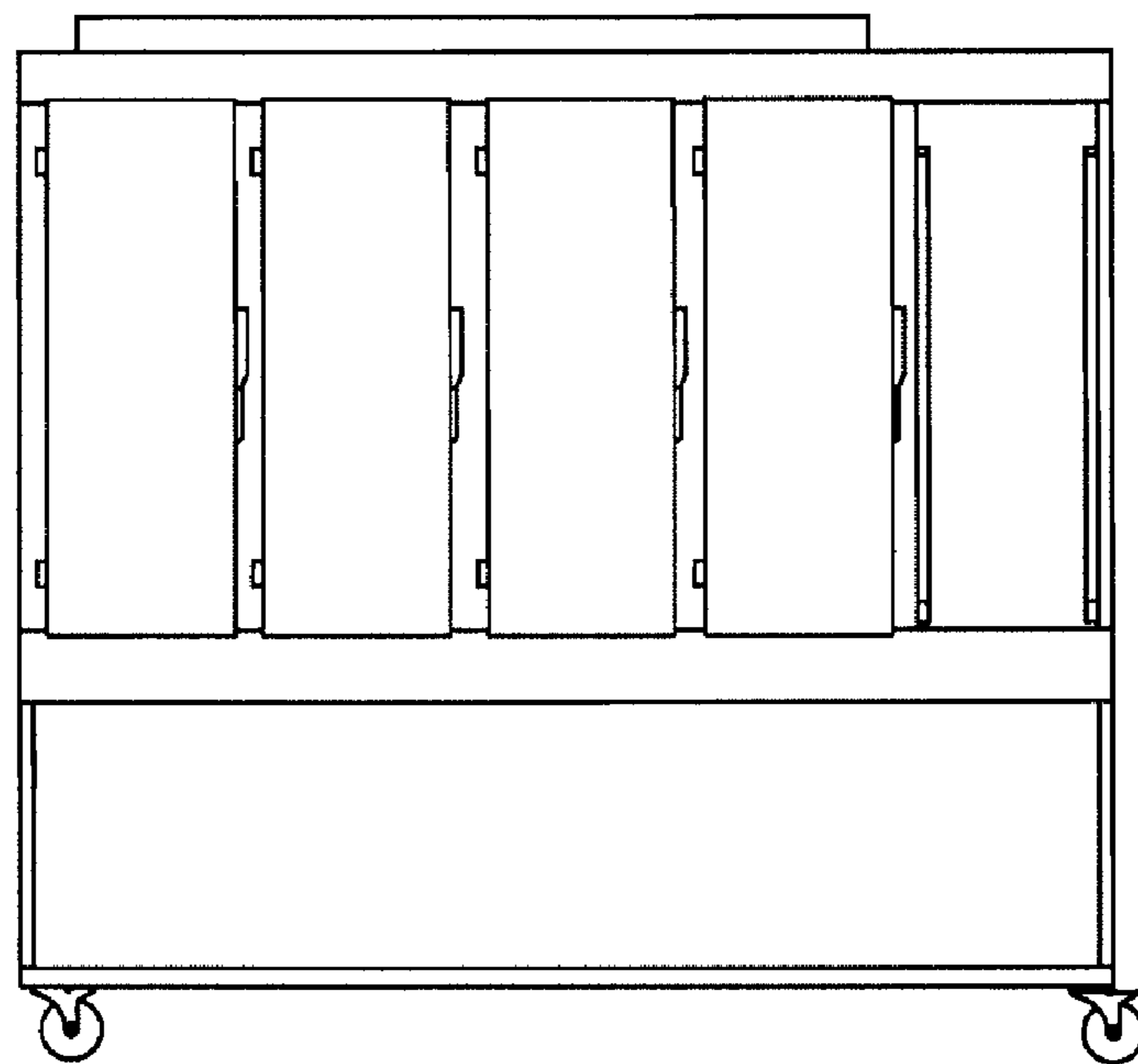


FIG. 5