

US00D595515S

(12) **United States Design Patent**
Collette

(10) **Patent No.:** **US D595,515 S**

(45) **Date of Patent:** **** Jul. 7, 2009**

(54) **CHAIR**

(75) Inventor: **Frederic Collette**, Frederiksberg C (DK)

(73) Assignee: **Frederic Collette APS**, Frederiksberg C (DK)

(**) Term: **14 Years**

(21) Appl. No.: **29/318,744**

(22) Filed: **May 27, 2008**

(51) **LOC (9) Cl.** **06-01**

(52) **U.S. Cl.** **D6/334**

(58) **Field of Classification Search** D6/334,
D6/341, 371, 372, 373, 374, 375, 381, 491,
D6/492, 500, 501, 502; 297/232, 233, 239,
297/300.1, 311, 353, 445.1, 446.1, 448.1,
297/448.2, 452.11, DIG. 7, DIG. 8; 5/12.1,
5/12.2

See application file for complete search history.

(56) **References Cited**

U.S. PATENT DOCUMENTS

2,439,322 A * 4/1948 Thaden 297/451.1
3,485,527 A * 12/1969 Barghout 297/445.1
D219,016 S * 10/1970 Muller D6/375

D341,954 S * 12/1993 Thompson D6/374
D364,970 S * 12/1995 Reese D6/363
D365,454 S * 12/1995 Thomson D6/380
D529,726 S * 10/2006 Cutler et al. D6/334
D537,263 S * 2/2007 Berry et al. D6/381
D549,970 S * 9/2007 Bouroullec et al. D6/334
D568,626 S * 5/2008 Gharabegian D6/374

* cited by examiner

Primary Examiner—Sandra Snapp

(74) *Attorney, Agent, or Firm*—Klein, O’Neill & Singh, LLP

(57) **CLAIM**

The ornamental design for a chair, as shown.

DESCRIPTION

FIG. 1 is a front perspective view of a chair, in accordance with my new design;

FIG. 2 is a front elevational view of the chair of FIG. 1;

FIG. 3 is a rear elevational view of the chair of FIG. 1;

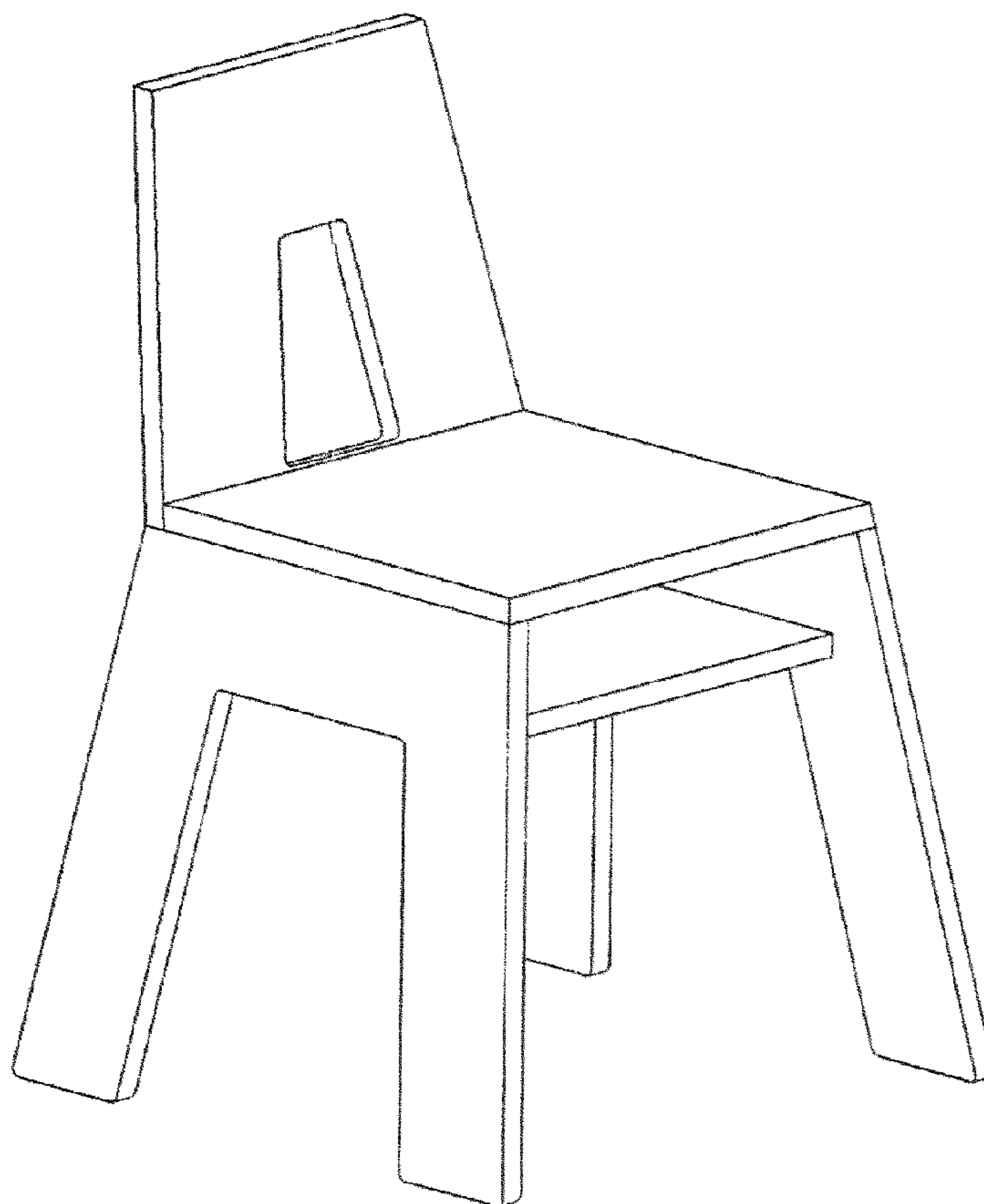
FIG. 4 is a left side elevational view of the chair of FIG. 1;

FIG. 5 is a right side elevational view of the chair of FIG. 1;

FIG. 6 is a top plan view of the chair of FIG. 1; and,

FIG. 7 is a bottom plan view of the chair of FIG. 1.

1 Claim, 7 Drawing Sheets



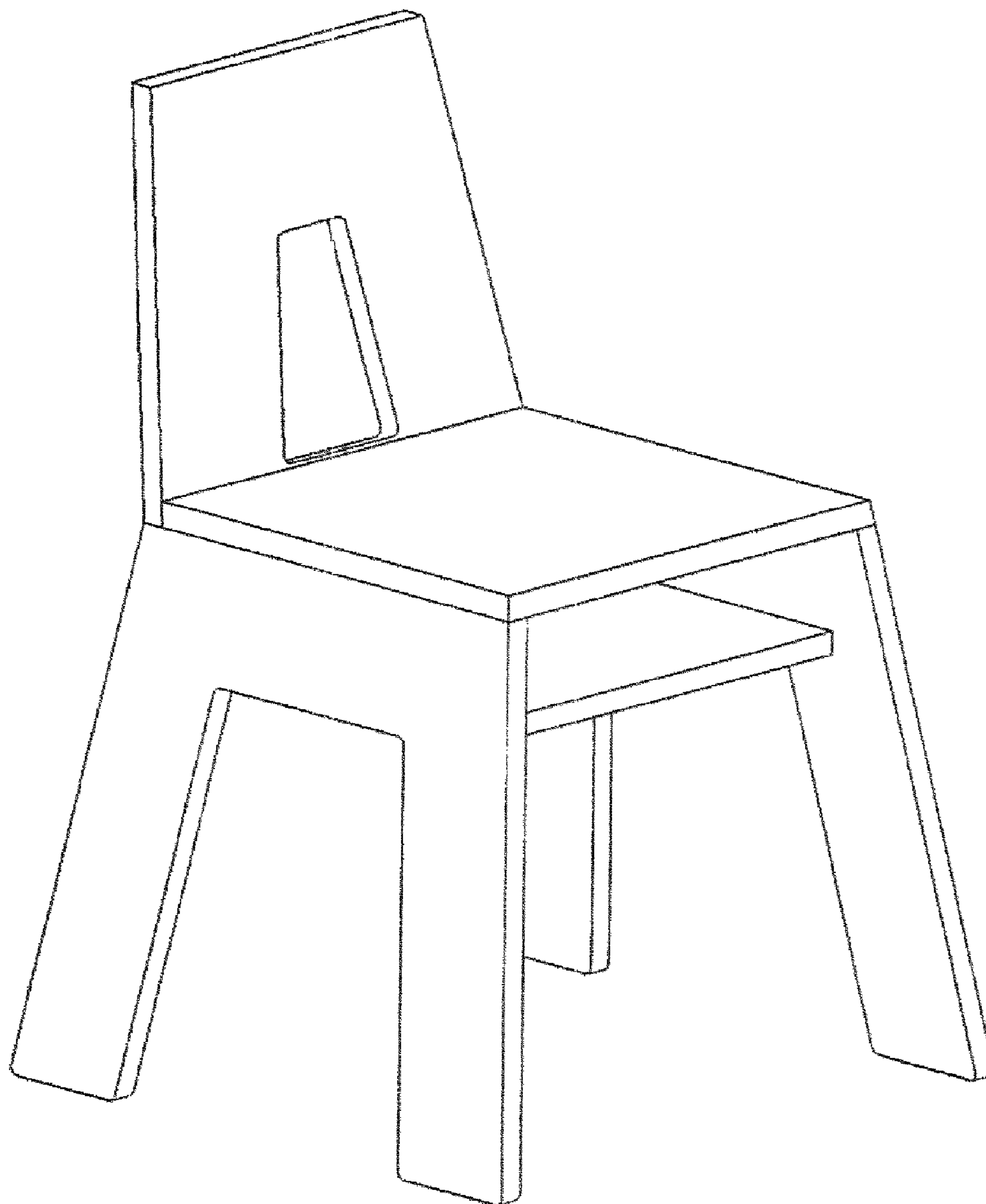


FIG. 1

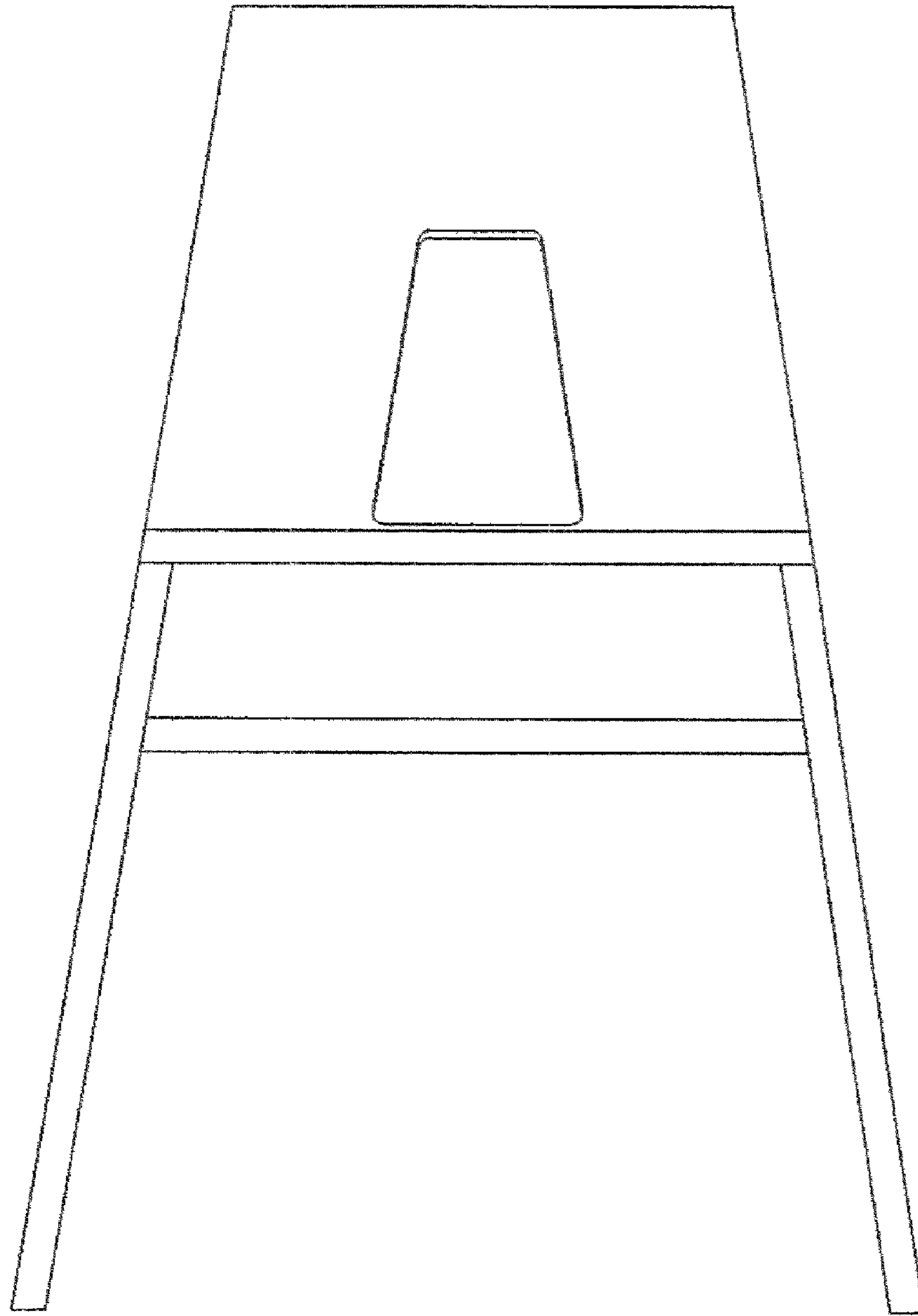


FIG. 2

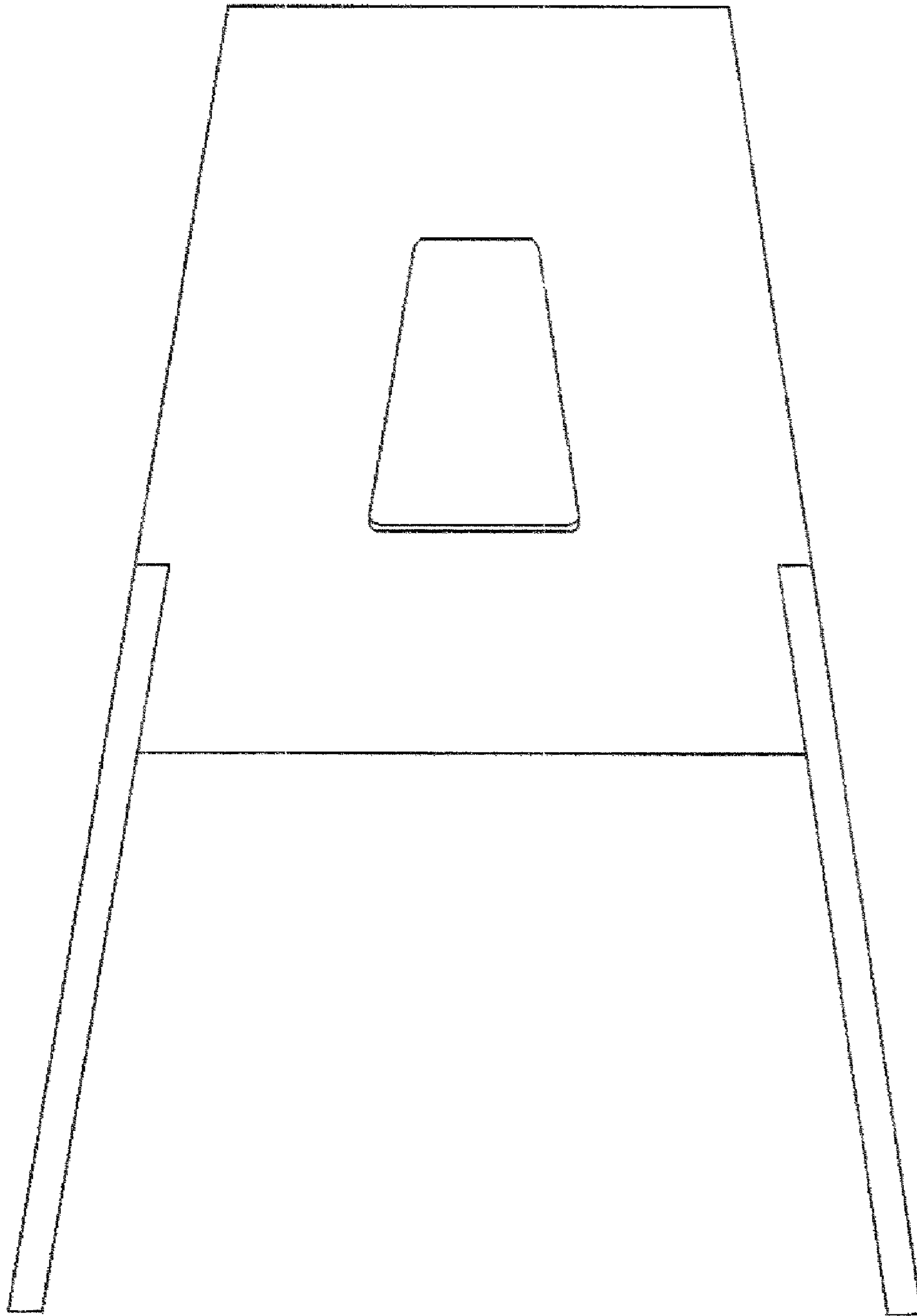


FIG. 3

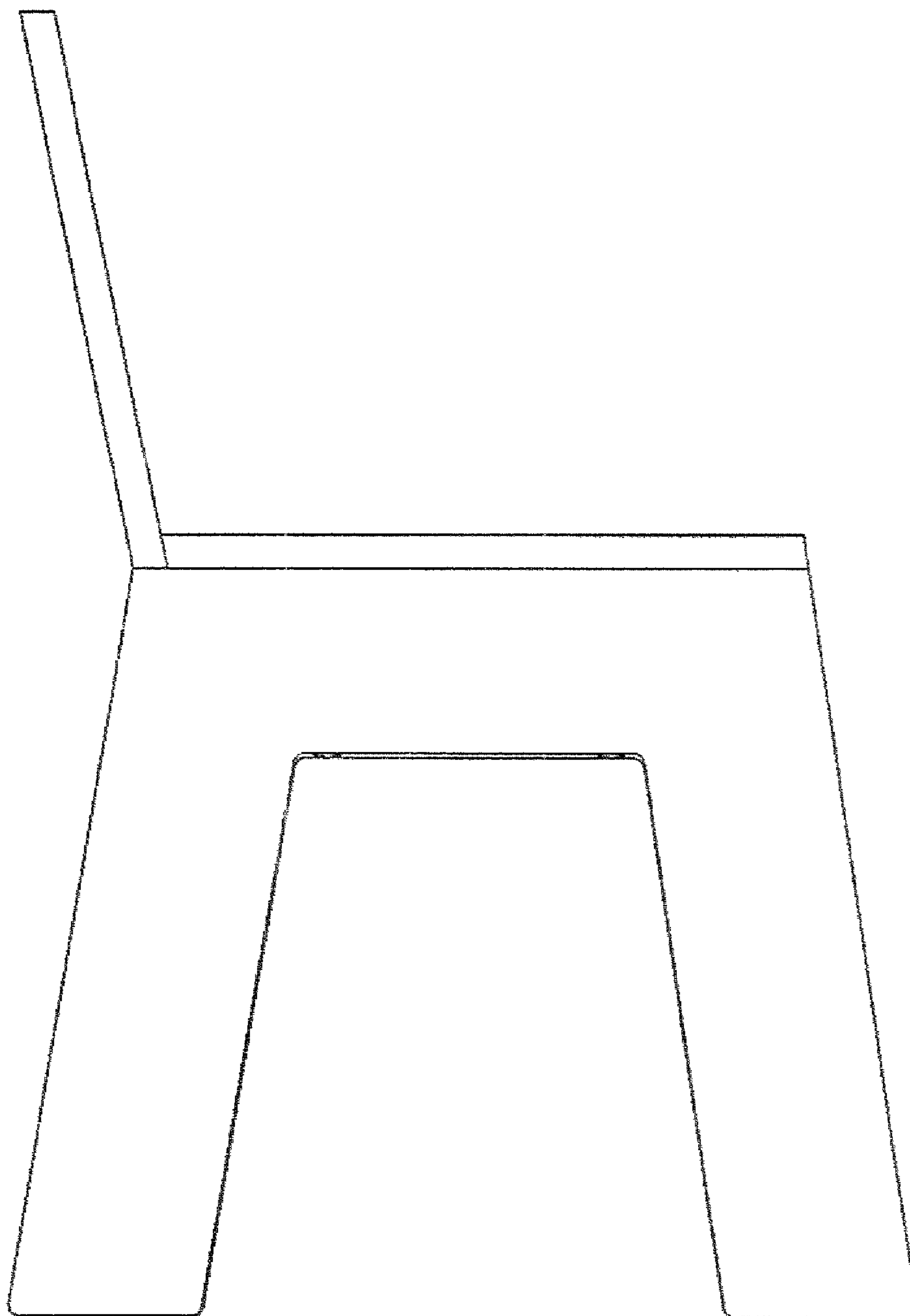


FIG. 4

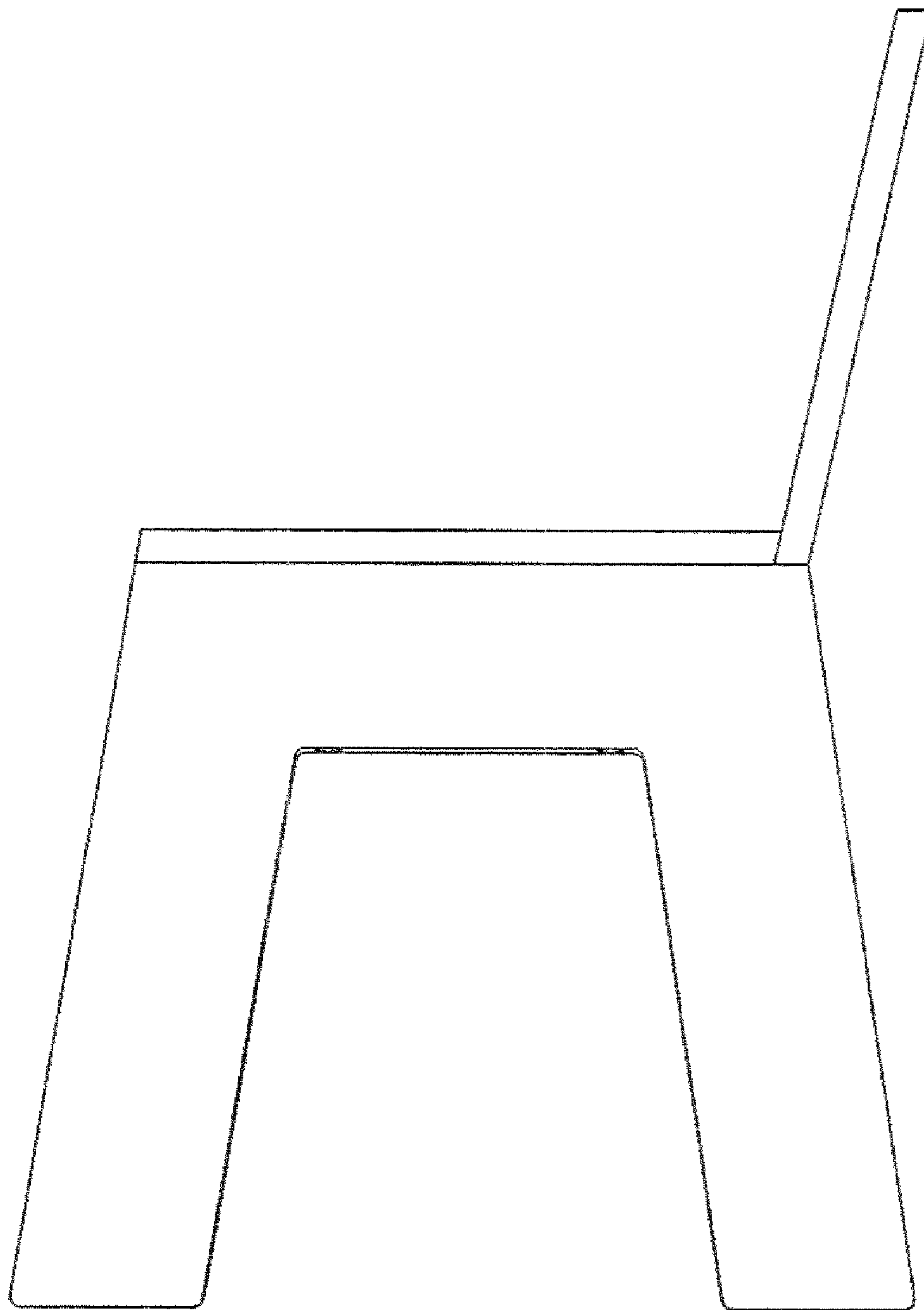


FIG. 5

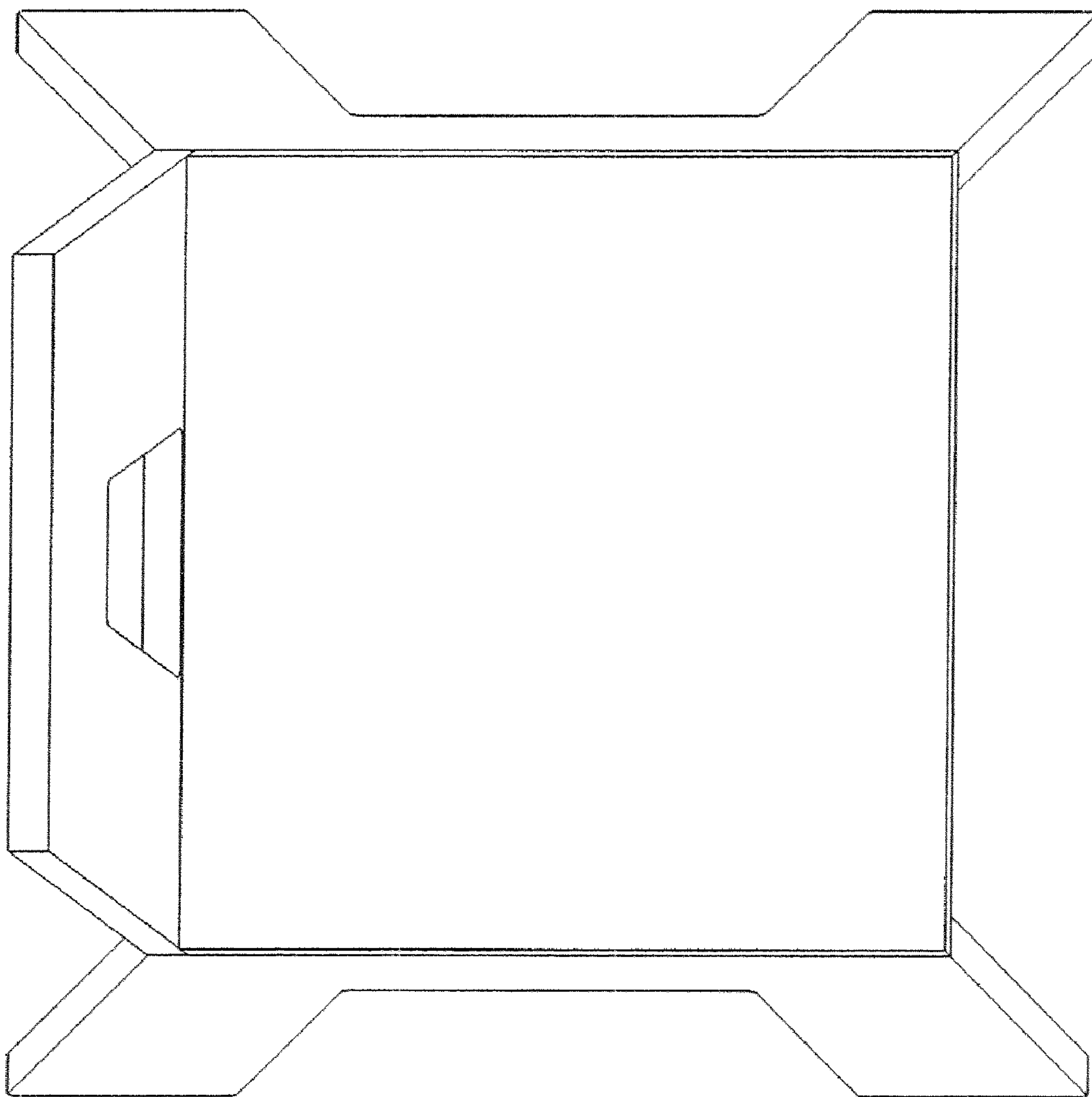


FIG. 6

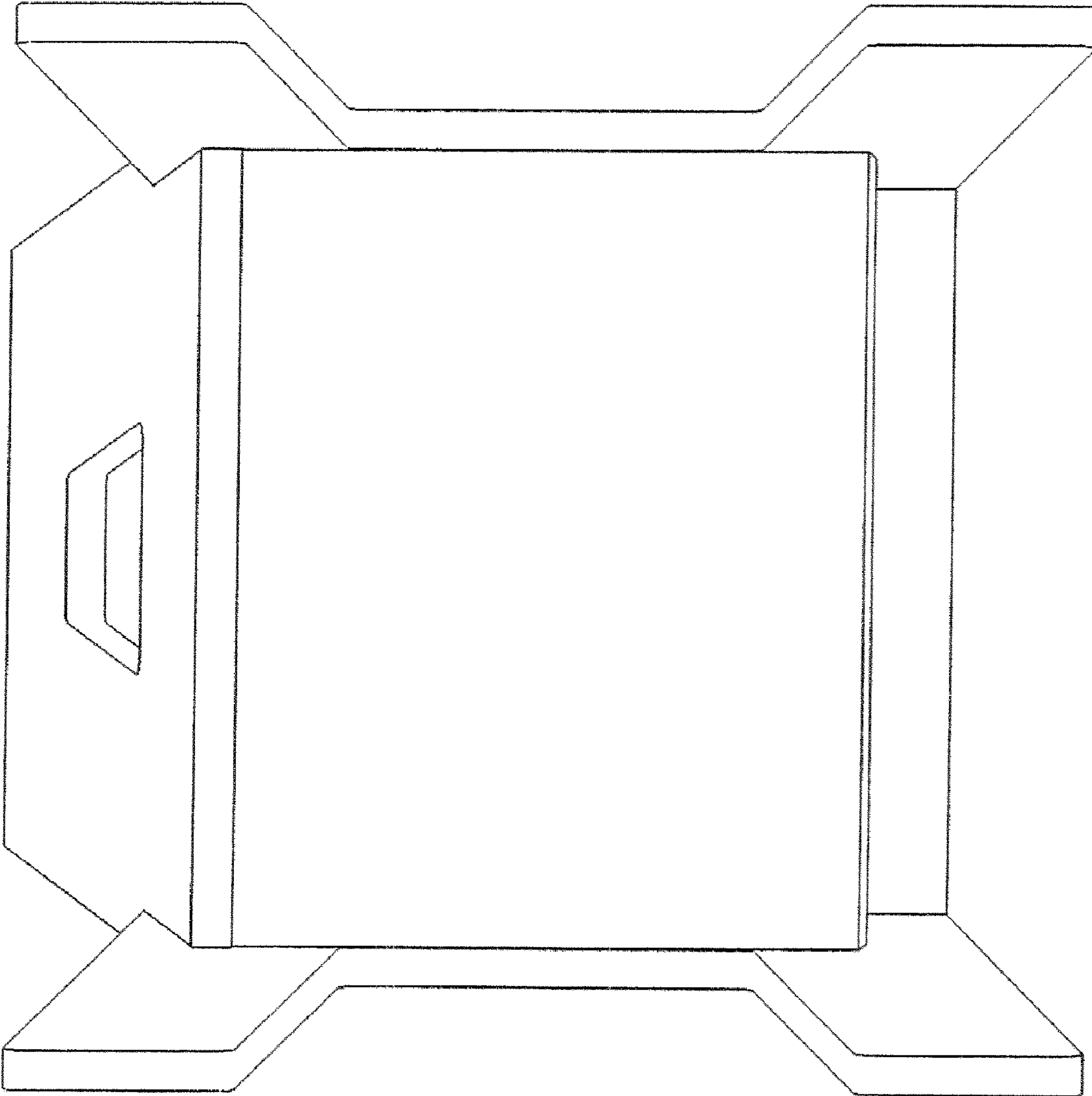


FIG. 7