



US00D595513S

(12) **United States Design Patent**
Goldman et al.

(10) **Patent No.:** **US D595,513 S**
(45) **Date of Patent:** **** Jul. 7, 2009**

(54) **TOP SIZER FOR A GARMENT HANGER**

5,857,276 A * 1/1999 Marshall et al. 40/322
D449,744 S * 10/2001 Zuckerman D6/328
6,726,067 B2 * 4/2004 Louw 223/85

(75) Inventors: **Stuart Goldman**, Wayne, NJ (US); **King Keung Kennedy Chan**, Hong Kong (HK)

* cited by examiner

(73) Assignee: **Uniplast Industries, Inc.**, Hasbrouck Heights, NJ (US)

Primary Examiner—Stella M Reid
Assistant Examiner—Shanda C Hill
(74) *Attorney, Agent, or Firm*—Leason Ellis LLP

(**) Term: **14 Years**

(57) **CLAIM**

(21) Appl. No.: **29/319,514**

The ornamental design for a top sizer for a garment hanger, as shown and described.

(22) Filed: **Jun. 10, 2008**

(51) **LOC (9) Cl.** **06-08**

DESCRIPTION

(52) **U.S. Cl.** **D6/328**

FIG. 1 is a front elevation view of a top sizer for a garment hanger showing our new design;

(58) **Field of Classification Search** D6/315,

FIG. 2 is a front elevation view thereof;

D6/318, 319, 326, 328; 223/85–98; 211/1,

FIG. 3 is a rear elevation view thereof;

211/13.1, 85.3, 183; 40/322

FIG. 4 is a left side elevation view thereof;

See application file for complete search history.

FIG. 5 is a top plan view thereof;

(56) **References Cited**

U.S. PATENT DOCUMENTS

FIG. 6 a right side elevation view thereof;

D332,180 S * 1/1993 Marshall et al. D6/328

FIG. 7 is a partial front elevation view thereof; and,

D341,947 S * 12/1993 Marshall et al. D6/328

FIG. 8 is a partial rear elevation view thereof.

5,388,354 A * 2/1995 Marshall et al. 40/322

FIGS. 2 through 8 are shown on an enlarged scale.

5,503,310 A * 4/1996 Zuckerman et al. 223/85

The broken lines shown in the drawing disclosure are for illustrative purposes only and form no part of the claimed design.

D371,246 S * 7/1996 Gouldson et al. D6/326

D377,717 S * 2/1997 Gouldson D6/328

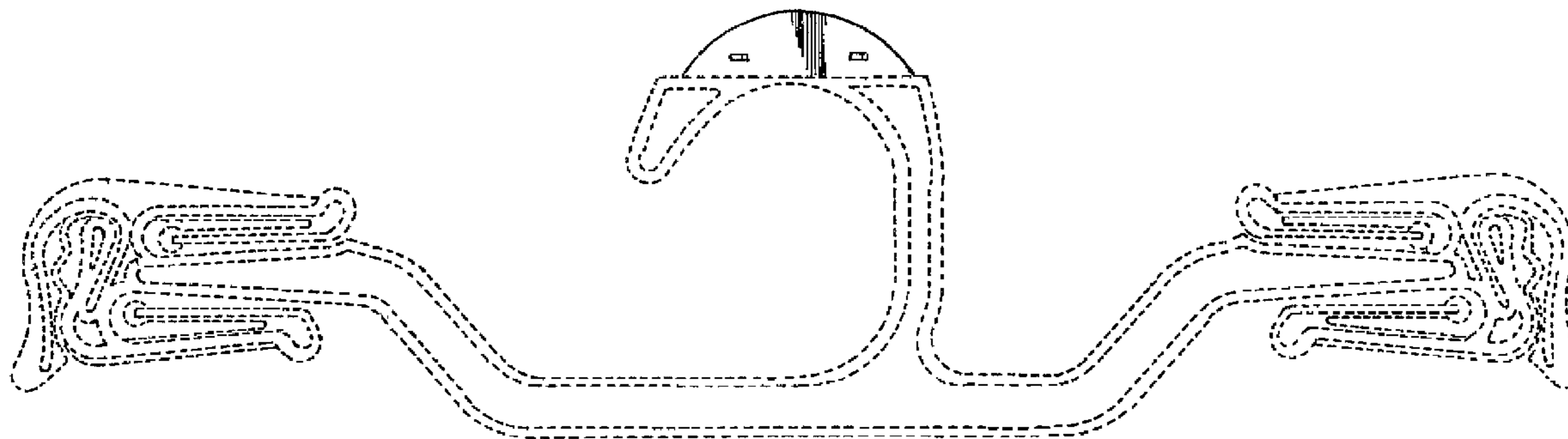
5,603,437 A * 2/1997 Zuckerman 223/85

5,628,132 A * 5/1997 Marshall et al. 40/322

D388,964 S * 1/1998 Gouldson D6/326

5,794,363 A * 8/1998 Marshall et al. 40/322

1 Claim, 2 Drawing Sheets



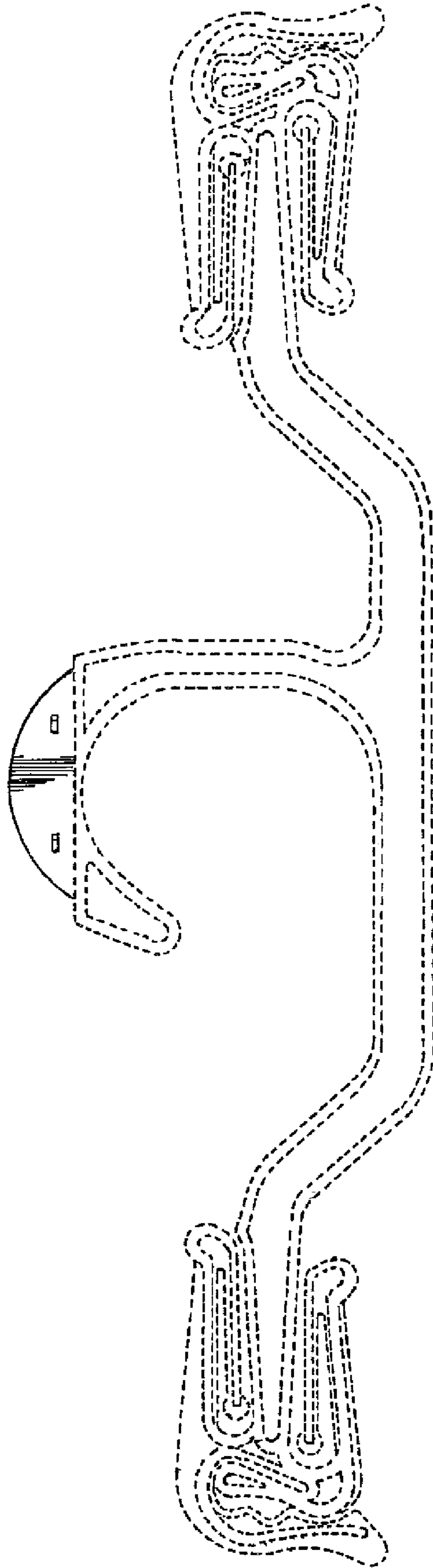


Fig. 1

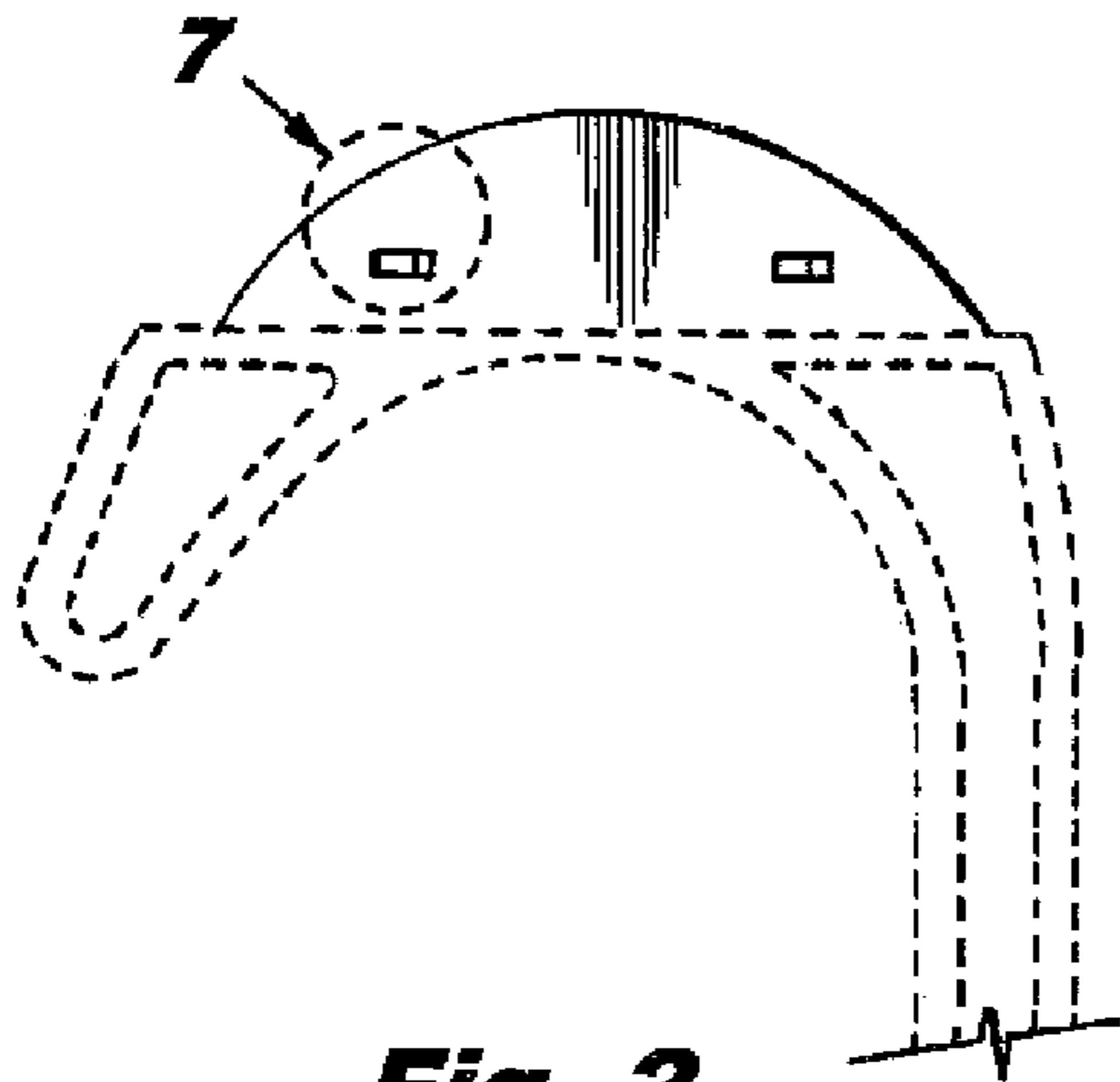


Fig. 2

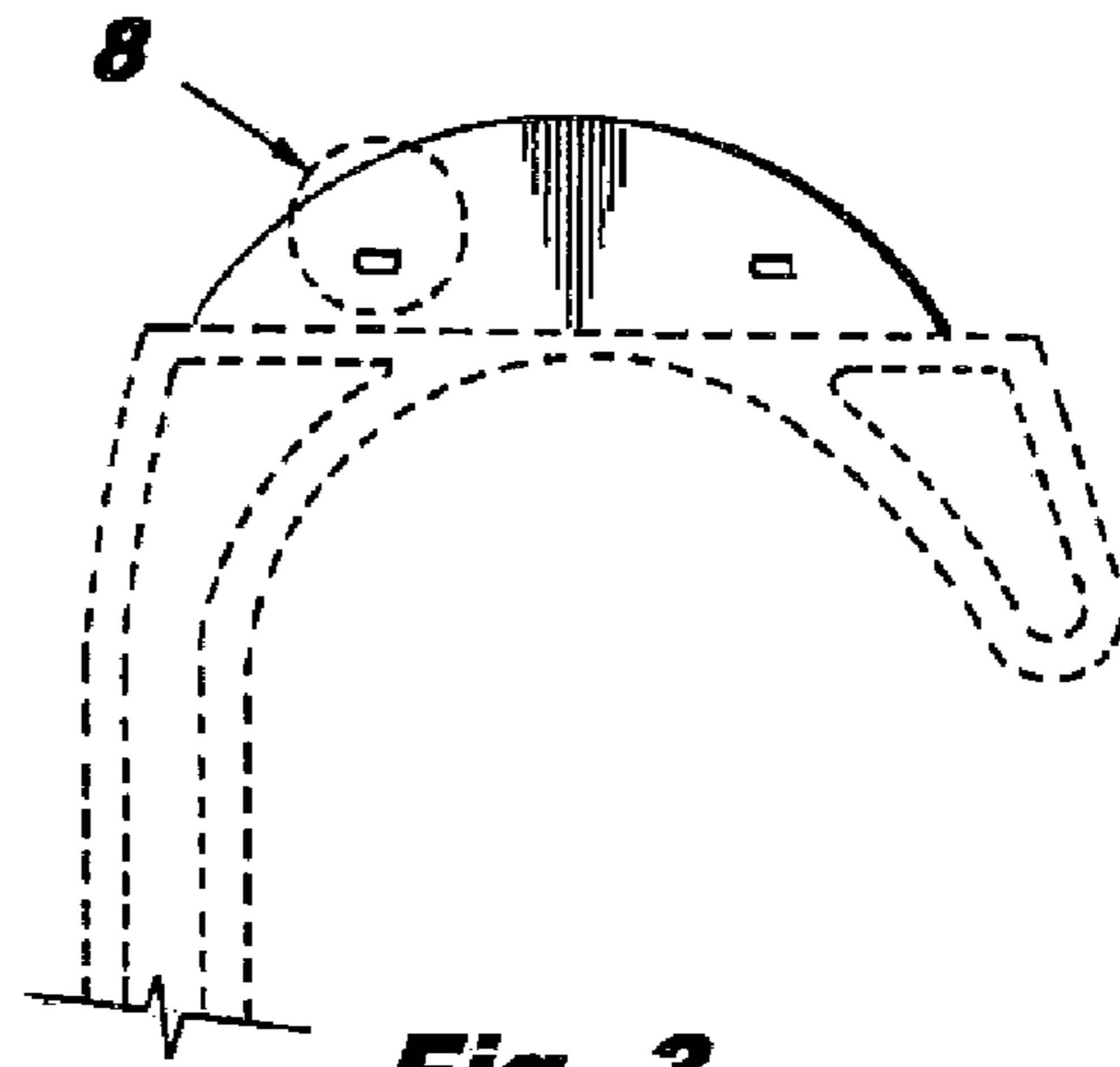


Fig. 3

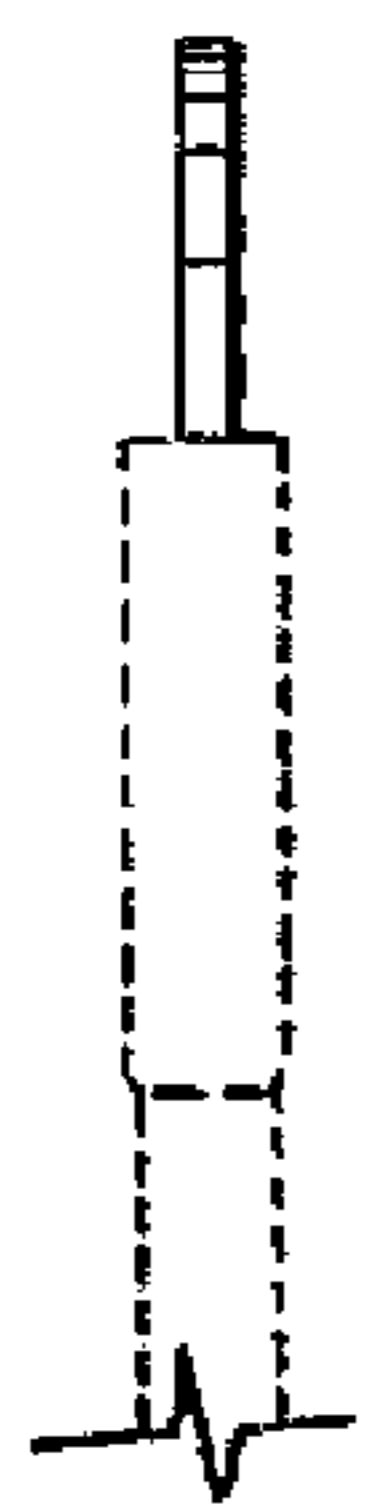


Fig. 4

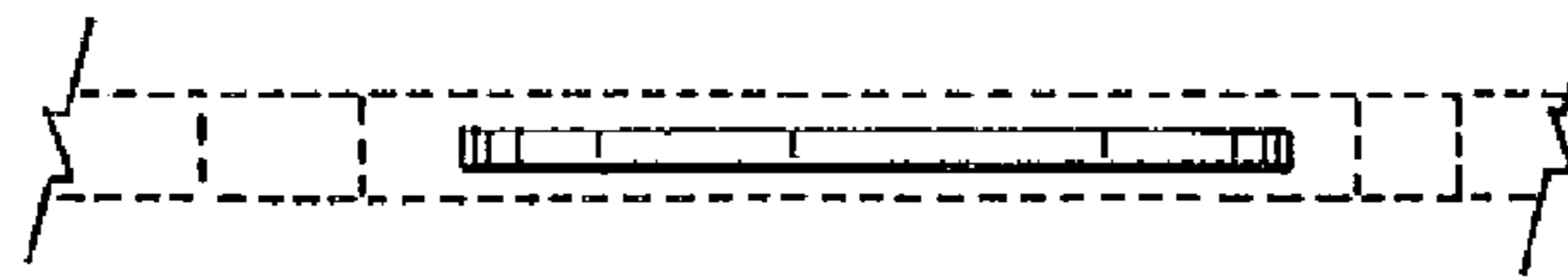


Fig. 5

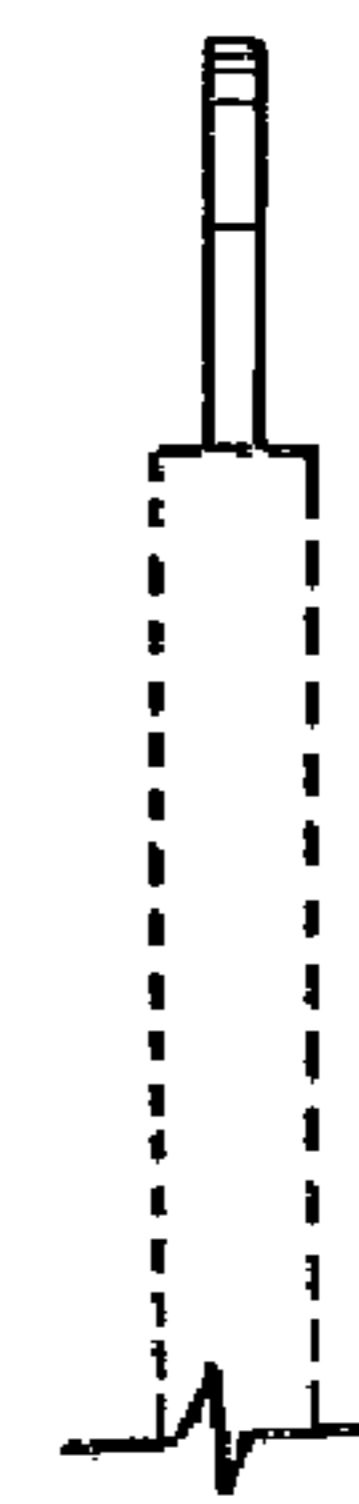


Fig. 6

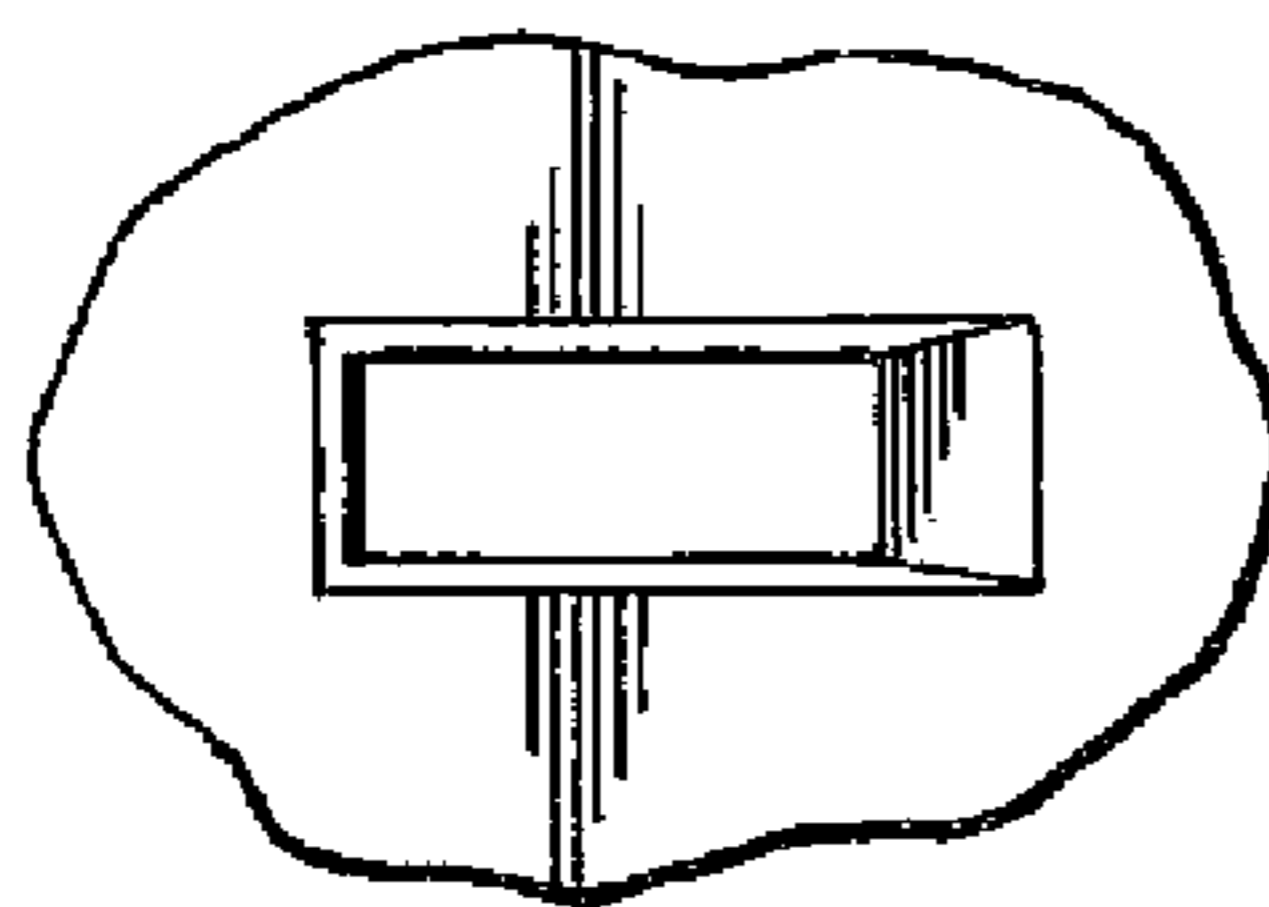


Fig. 7

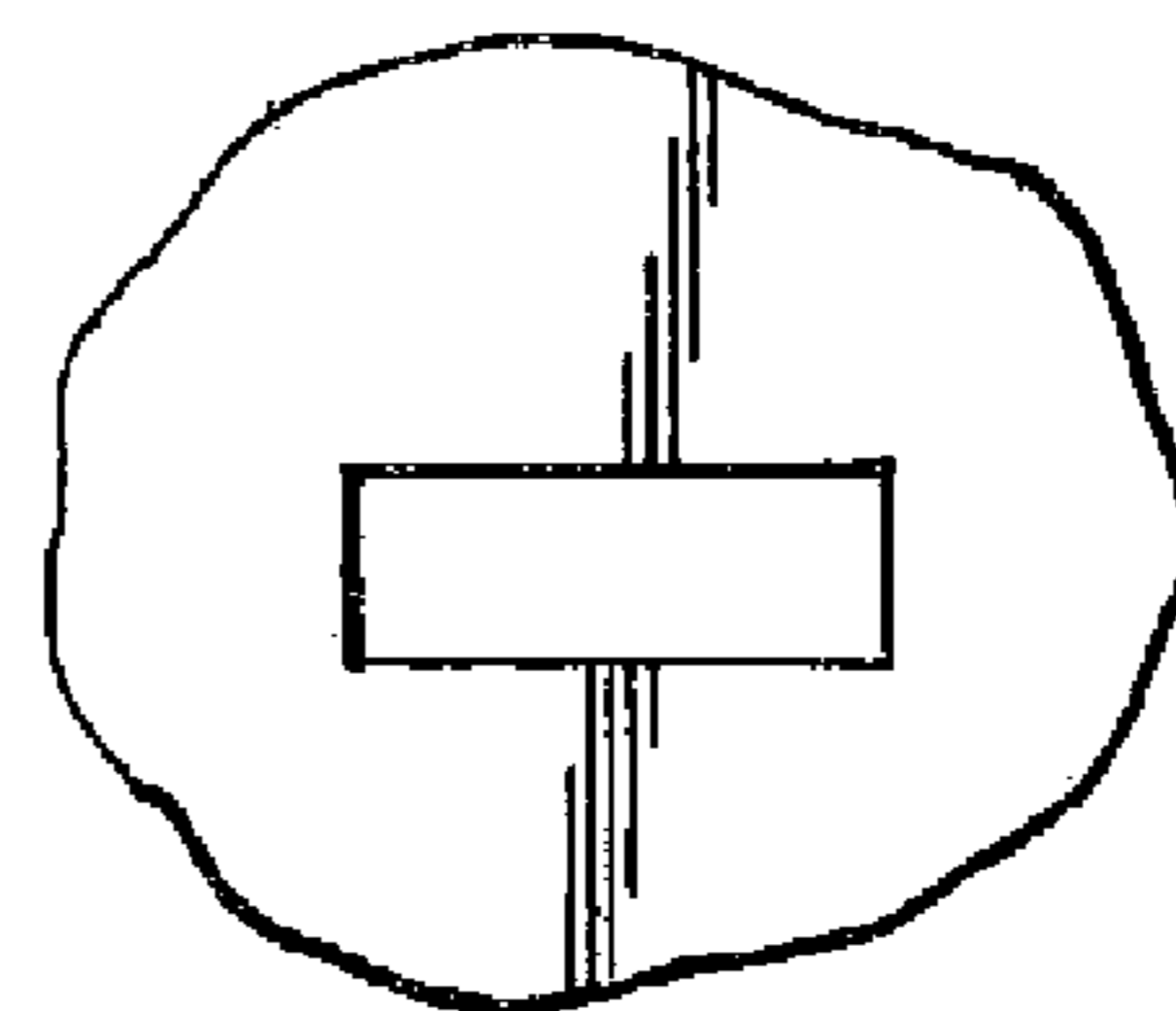


Fig. 8