



US00D595512S

(12) **United States Design Patent**
Chen

(10) **Patent No.:** **US D595,512 S**
(45) **Date of Patent:** **** Jul. 7, 2009**

(54) **DIGITAL PHOTO FRAME**

(75) Inventor: **Yi-Cheng Chen**, Taipei County (TW)

(73) Assignee: **Hannspree, Inc.**, Taipei (TW)

(**) Term: **14 Years**

(21) Appl. No.: **29/325,458**

(22) Filed: **Oct. 1, 2008**

(51) **LOC (9) Cl.** **06-07**

(52) **U.S. Cl.** **D6/308; D14/371; D20/42**

(58) **Field of Classification Search** D6/468,
D6/300-314, 462, 465; D20/42, 41; 40/700,
40/570, 617, 607.09; D14/371, 374; D10/15,
D10/24

See application file for complete search history.

(56) **References Cited**

U.S. PATENT DOCUMENTS

D76,456 S * 10/1928 Brenner et al. D20/41
D103,045 S * 2/1937 Ellis D20/42
D267,659 S * 1/1983 Samuels, Jr. D20/42

5,502,910 A * 4/1996 Lucchesi 40/607.06
D472,277 S * 3/2003 Beghelli D20/42
2007/0209259 A1 * 9/2007 Pavlik et al. 40/607.09

* cited by examiner

Primary Examiner—Caron Veynar

Assistant Examiner—Sydney R Buffalow

(74) *Attorney, Agent, or Firm*—Ming Chow; Sinorica, LLC

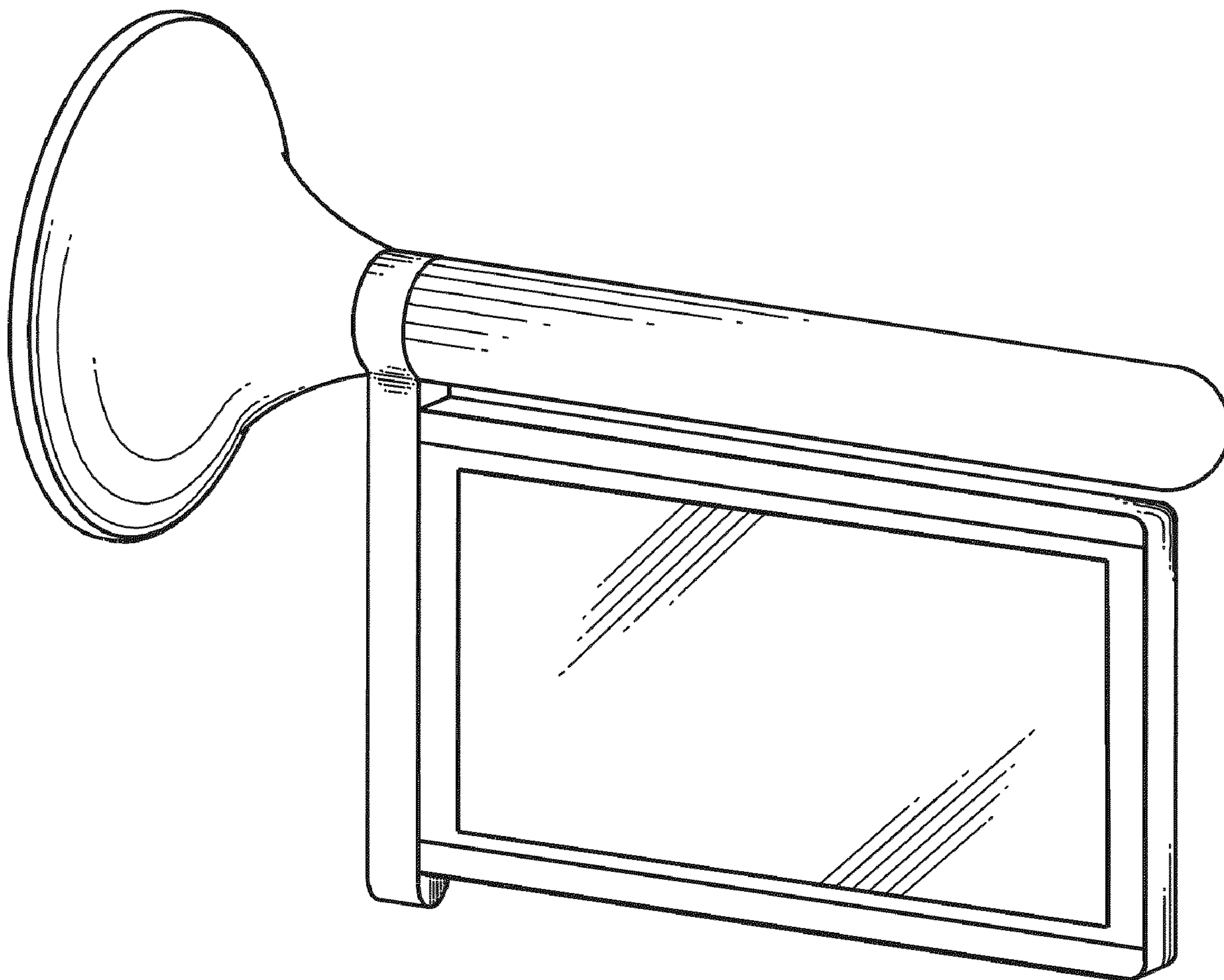
(57) **CLAIM**

The ornamental design for a digital photo frame, as shown.

DESCRIPTION

FIG. 1 is a perspective view thereof;
FIG. 2 is a front elevation view thereof;
FIG. 3 is a rear elevation view thereof;
FIG. 4 is a left side elevation view thereof;
FIG. 5 is a right side elevation view thereof;
FIG. 6 is a top plan view thereof; and,
FIG. 7 is a bottom plan view thereof.

1 Claim, 7 Drawing Sheets



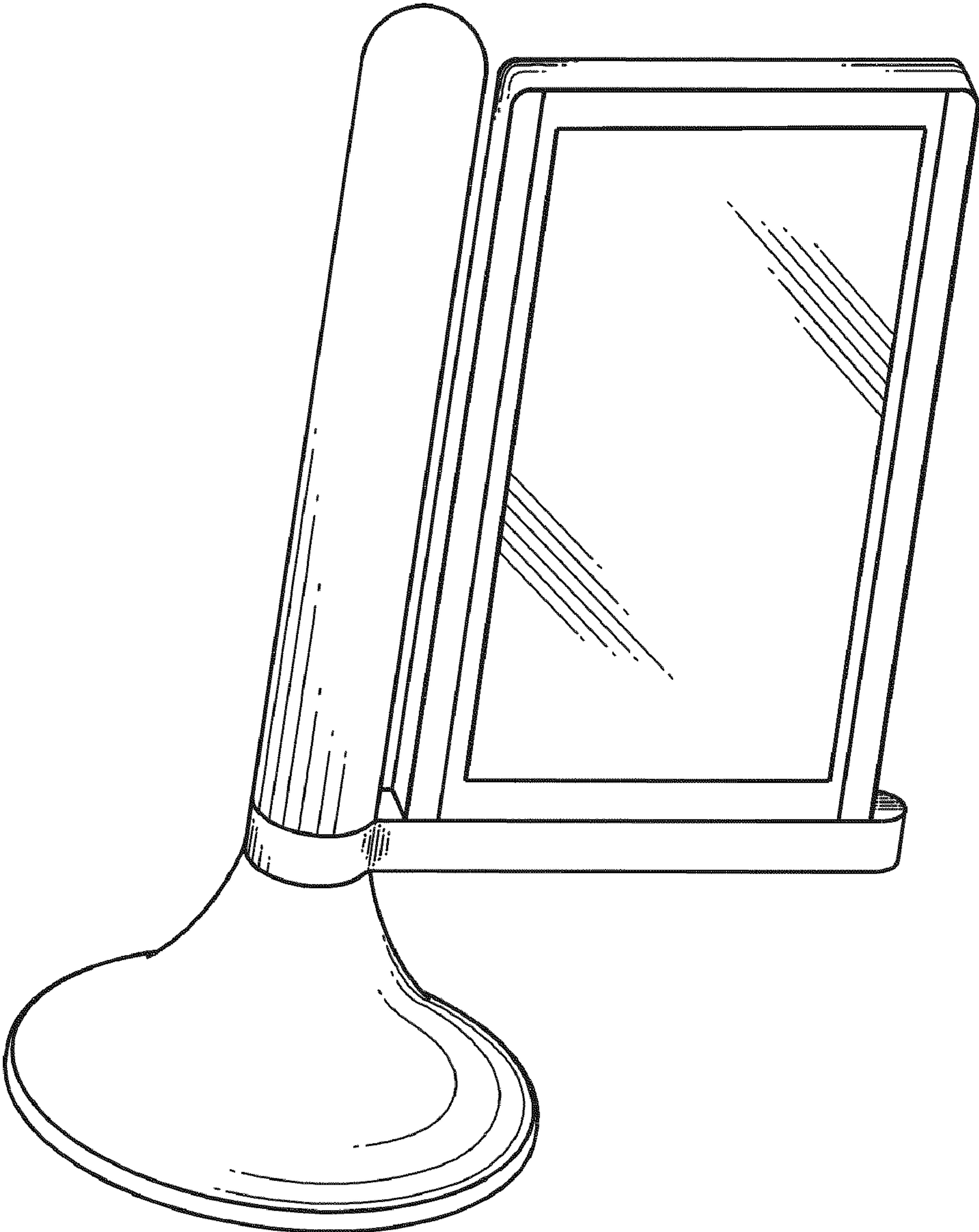


FIG. 1

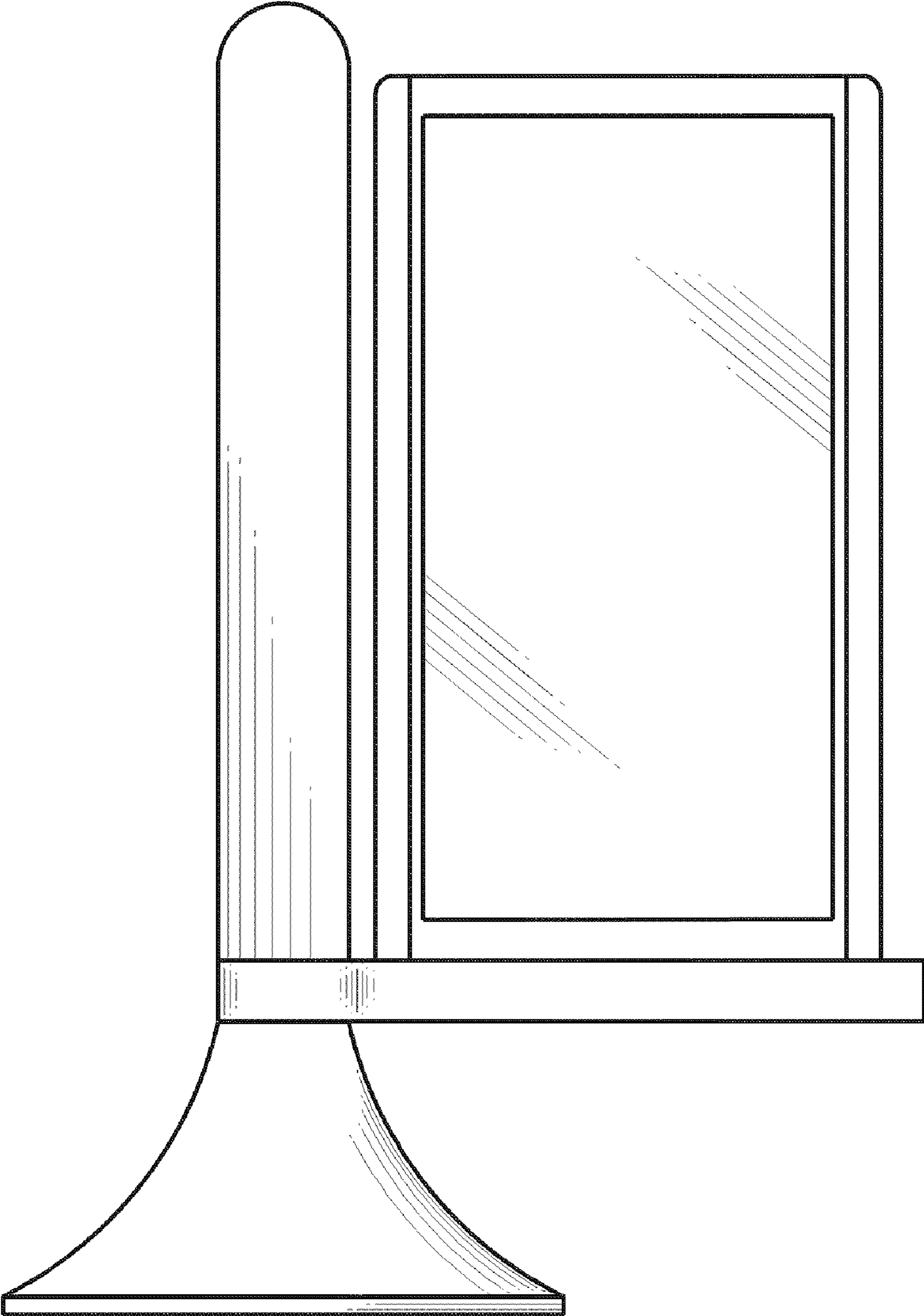


FIG. 2

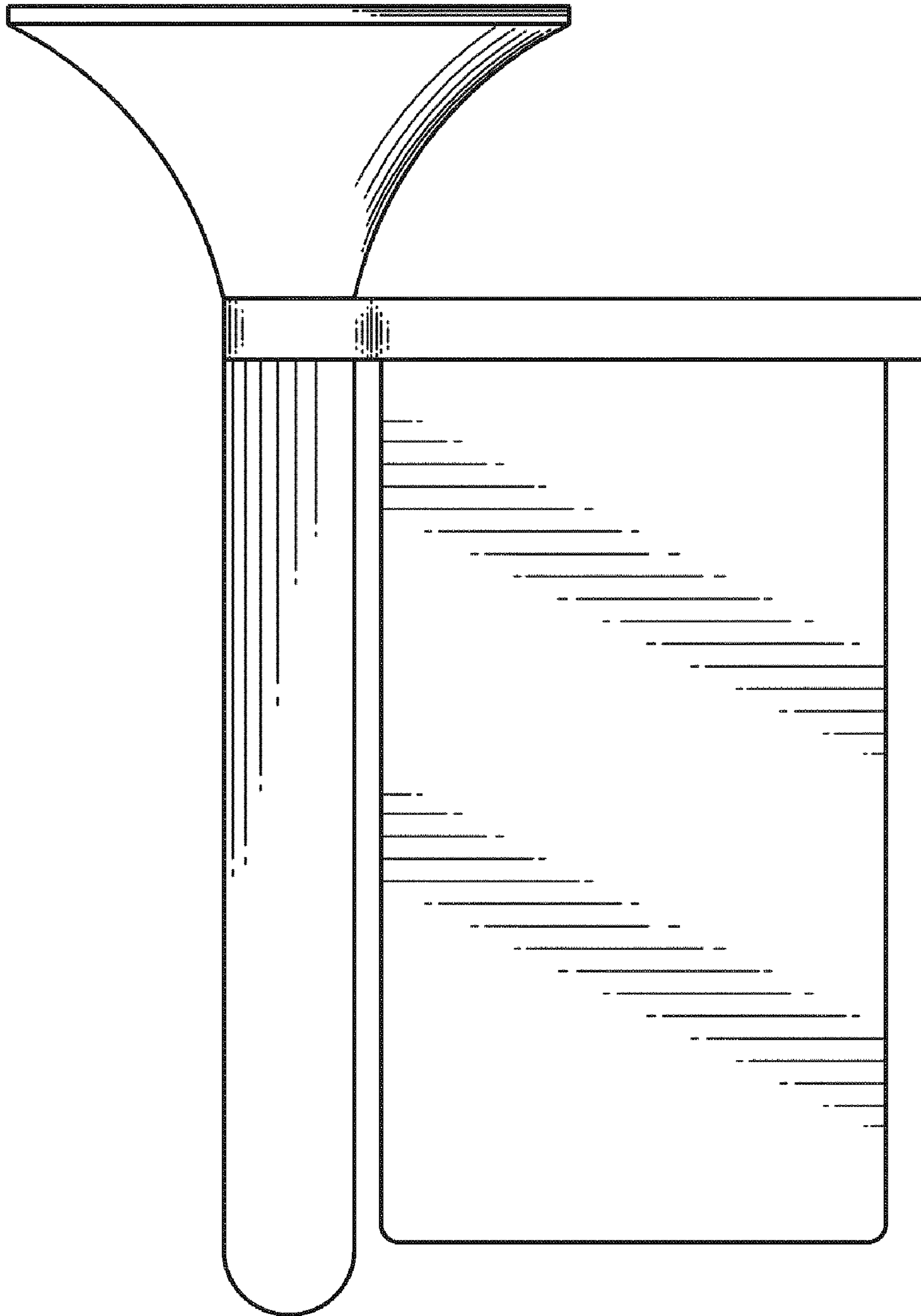


FIG. 3

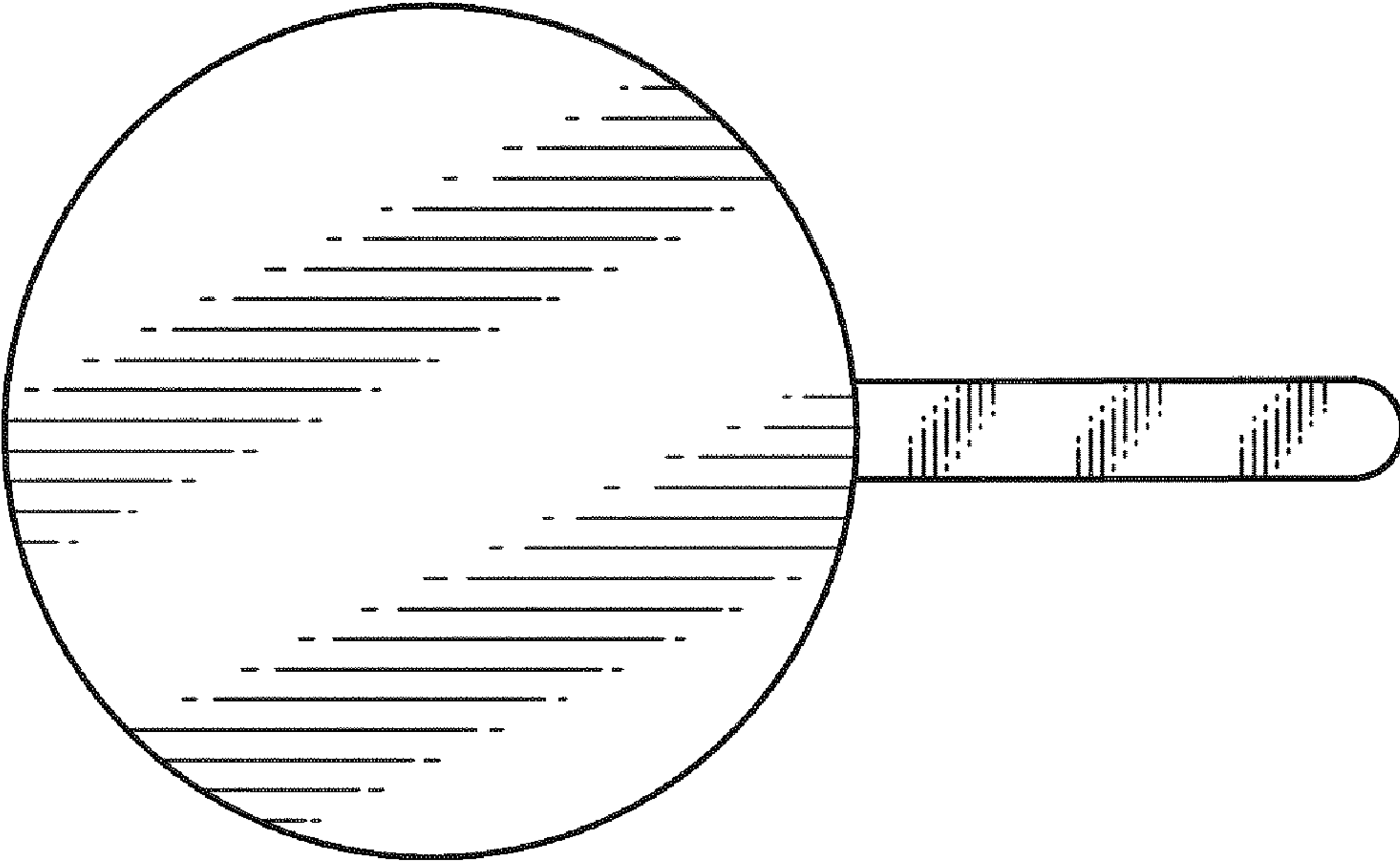


FIG. 4

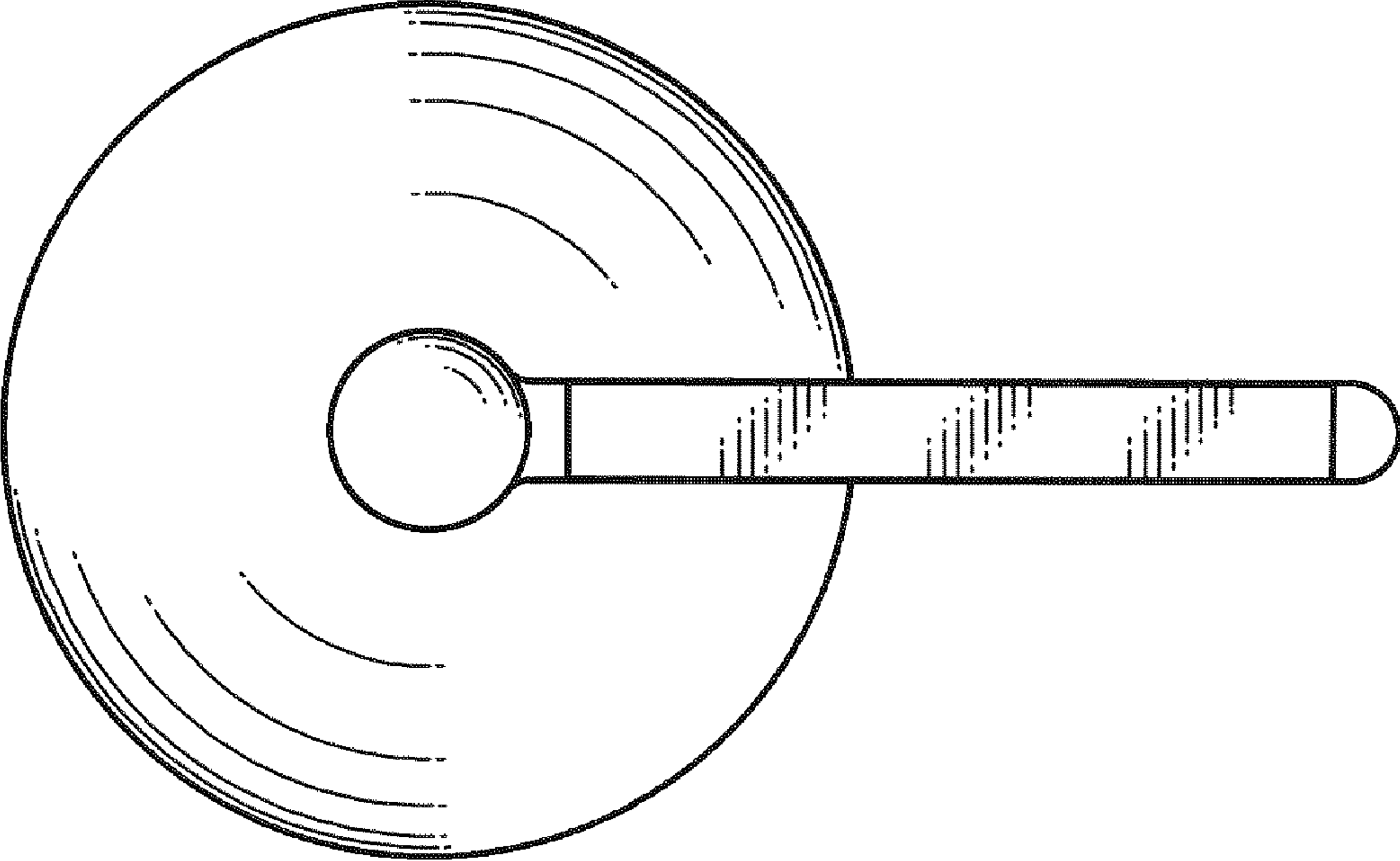


FIG. 5

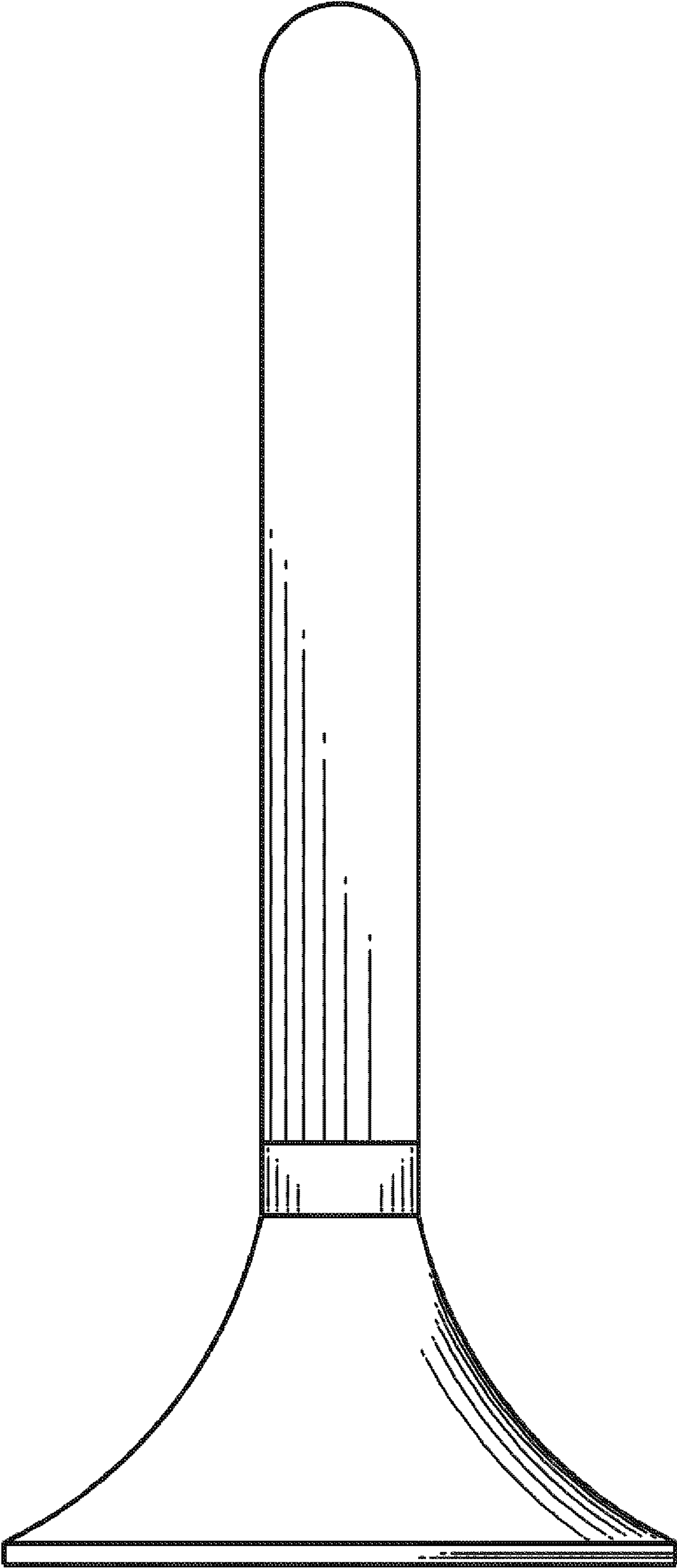


FIG. 6

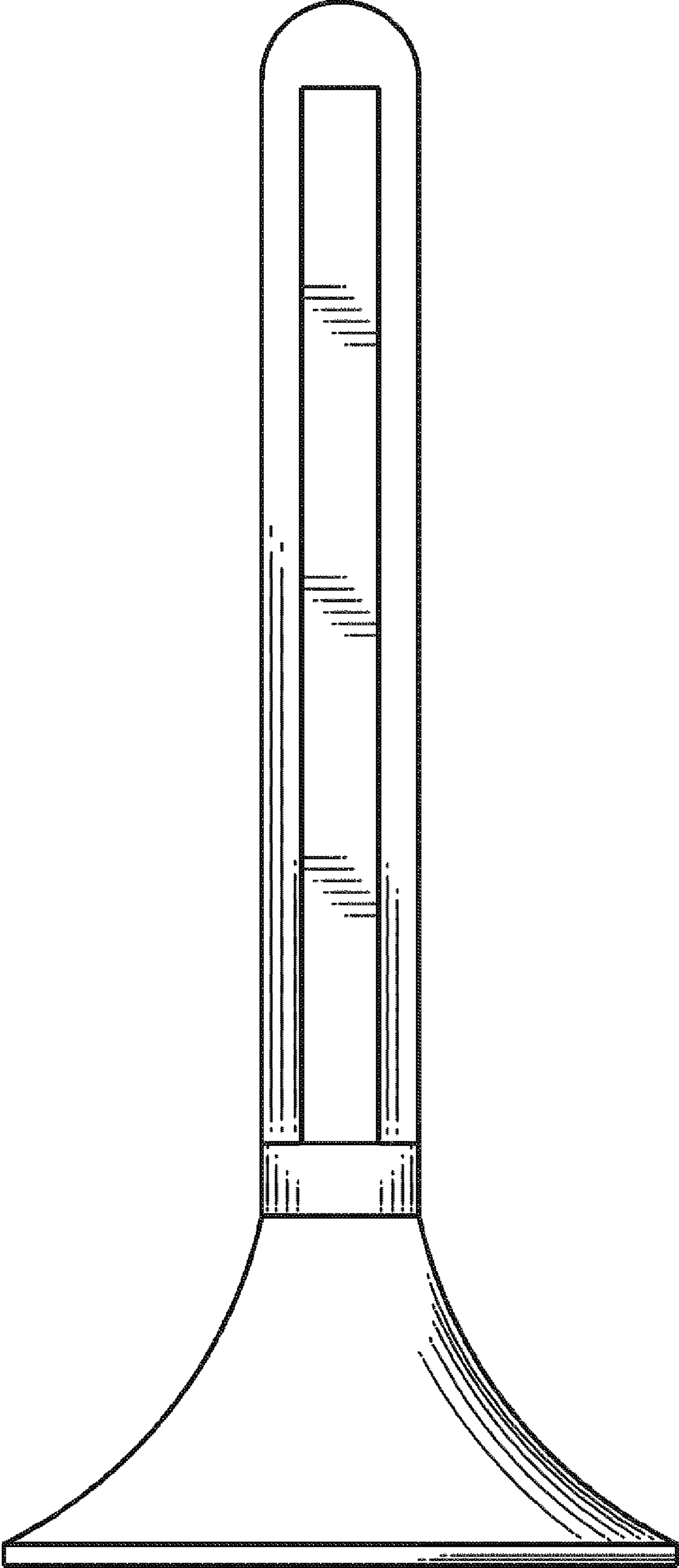


FIG. 7