

US00D595509S

(12) **United States Design Patent**
Sekercioğlu

(10) **Patent No.:** **US D595,509 S**

(45) **Date of Patent:** **** Jul. 7, 2009**

(54) **BROOM WITH DUST PAN ASSEMBLY**

(75) Inventor: **Kunter Sekercioğlu**, Istanbul (TR)

(73) Assignee: **Banat Firça Ve Plastik Sanayi Anonim Sirketi**, Istanbul (TR)

(**) Term: **14 Years**

(21) Appl. No.: **29/322,879**

(22) Filed: **Aug. 13, 2008**

(51) **LOC (9) Cl.** **04-01**

(52) **U.S. Cl.** **D4/116; D4/135; D32/74**

(58) **Field of Classification Search** D4/116,
D4/121, 135, 138; D32/50, 51, 74; 15/159.1,
15/160, 171, 191.1, 192, 193, 257.1, 257.2,
15/257.4, 257.5, 257.7, 257.9

See application file for complete search history.

(56) **References Cited**

U.S. PATENT DOCUMENTS

1,466,454	A *	8/1923	Mock	15/257.2
5,425,153	A *	6/1995	Vosbikian	15/257.2
6,643,891	B1 *	11/2003	Jerstroem et al.	15/257.2
6,902,060	B2 *	6/2005	Michelson et al.	206/576
7,356,871	B2 *	4/2008	Heaven	15/257.2
2005/0071943	A1 *	4/2005	Liu	15/257.2

OTHER PUBLICATIONS

AU 140723 S Registered Design (The Decor Coporation Pty Ltd) May 22, 2005, [online], [retrieved on Mar. 17, 2009]. Retrieved from the Design Database of the Australian Government, IP Australia using the Internet: <URL: <http://www.ipaustralia.gov.au>>.*

KR 30-0375892 S Registered Design (Park, Soo Keun) Mar. 16, 2005, [online], [retrieved on Mar. 17, 2009]. Retrieved from the

Design Database of the Korean Intellectual Property Rights Information Service using the Internet: <URL: <http://www.eng.kipris.or.kr>>.*

GB 3024558 Registered Design (Charles Bentley & Son Ltd) Jul. 13, 2006, [online], [retrieved on Mar. 17, 2009]. Retrieved from the Design Database of the United Kingdom Intellectual Property Office using the Internet: <URL: <http://www.ipo.gov.uk>>.*

Broom circled on bottom of first page. Product Page [online]. Taizhou Golden Star Plastics Co. Ltd. 2005 [retrieved on Sep. 26, 2007] Retrieved from the Internet: <URL: http://web.archive.org/web/*/http://www.goldenstarplastics.com>.*

* cited by examiner

Primary Examiner—Melanie H Tung

Assistant Examiner—Lavone D Tabor

(74) *Attorney, Agent, or Firm*—Egbert Law Offices PLLC

(57) **CLAIM**

The ornamental design for a broom with dust pan assembly, as shown and described.

DESCRIPTION

FIG. 1 is a front view of the broom with dust pan assembly showing my design;

FIG. 2 is a rear view thereof;

FIG. 3 is a side view thereof;

FIG. 4 is an opposite side view thereof;

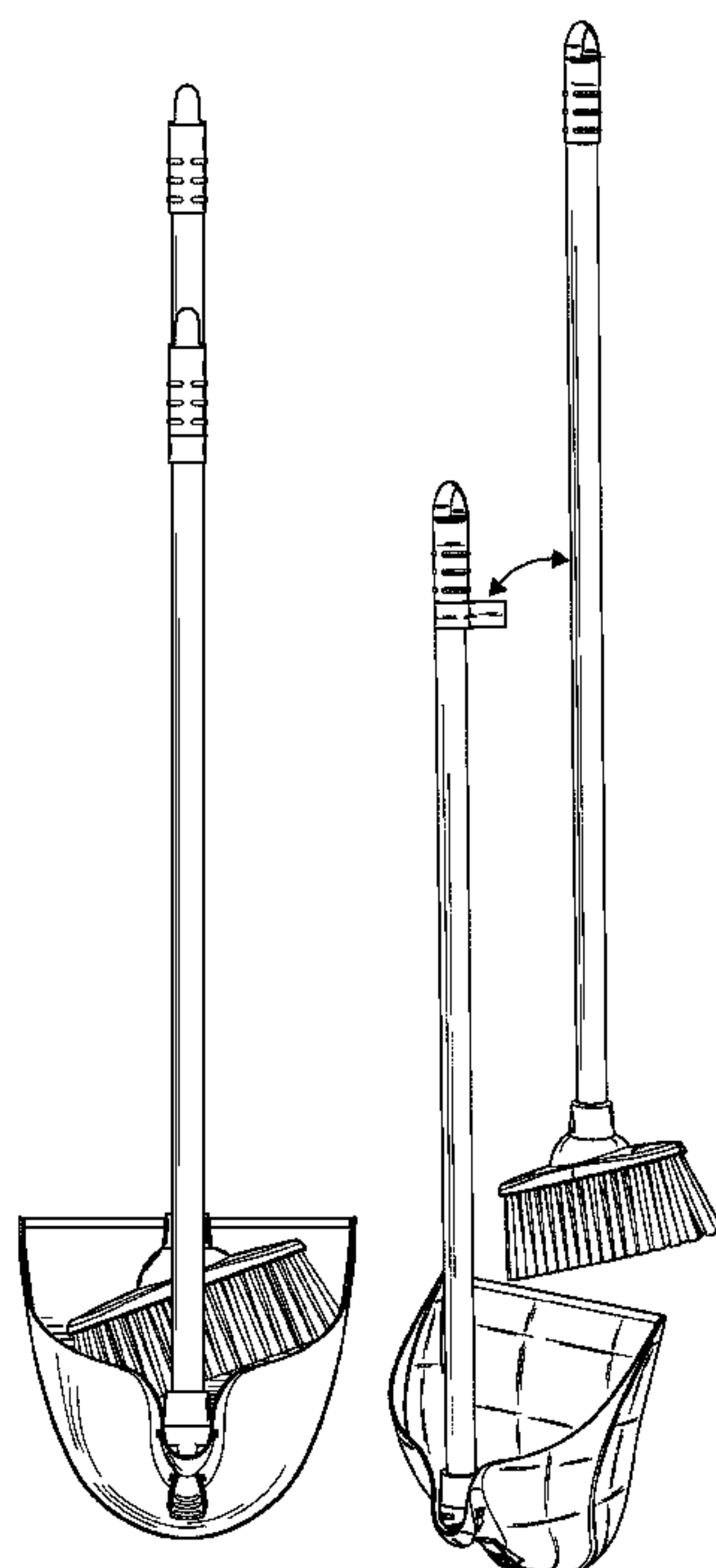
FIG. 5 is a top view thereof;

FIG. 6 is a bottom view thereof;

FIG. 7 is a side perspective view; and,

FIG. 8 is an exploded side perspective view thereof.

1 Claim, 4 Drawing Sheets



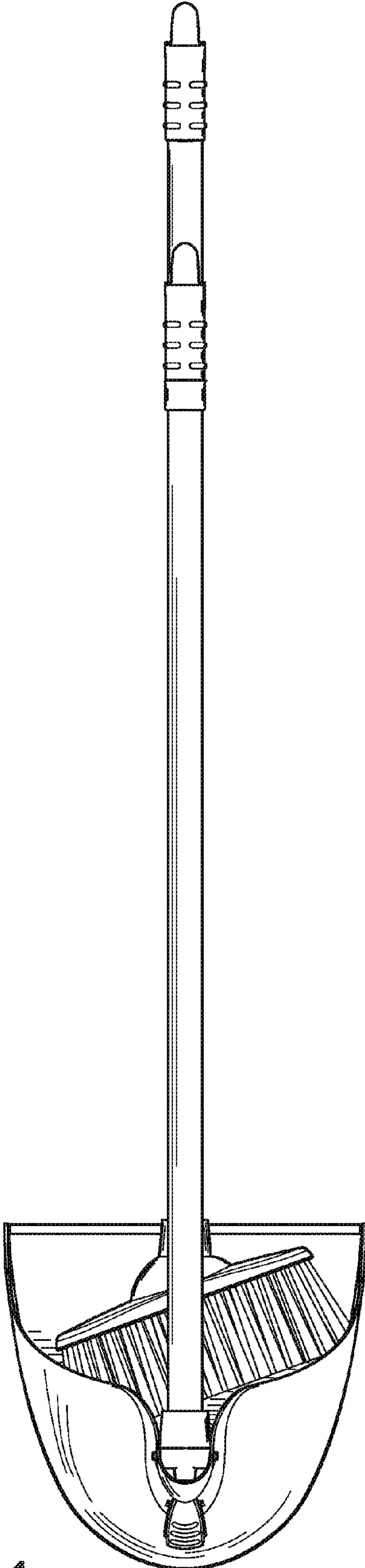


FIG. 1

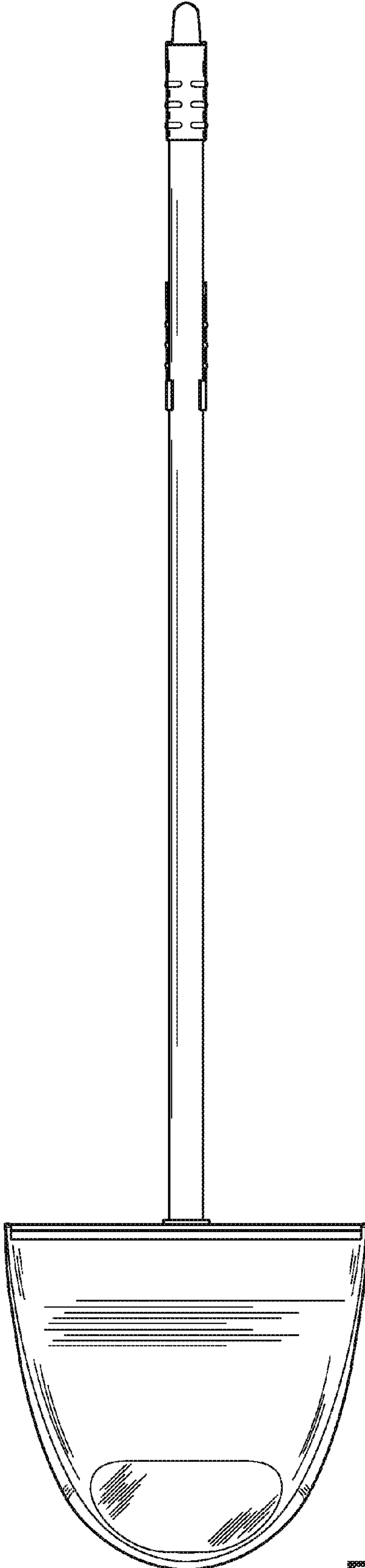


FIG. 2

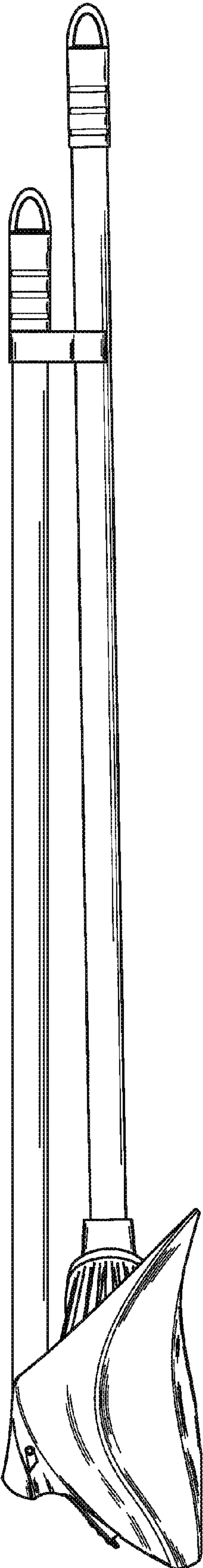


FIG.3

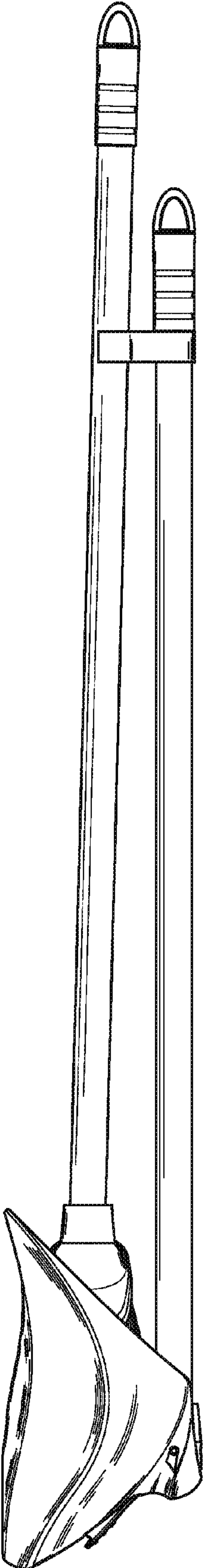


FIG.4

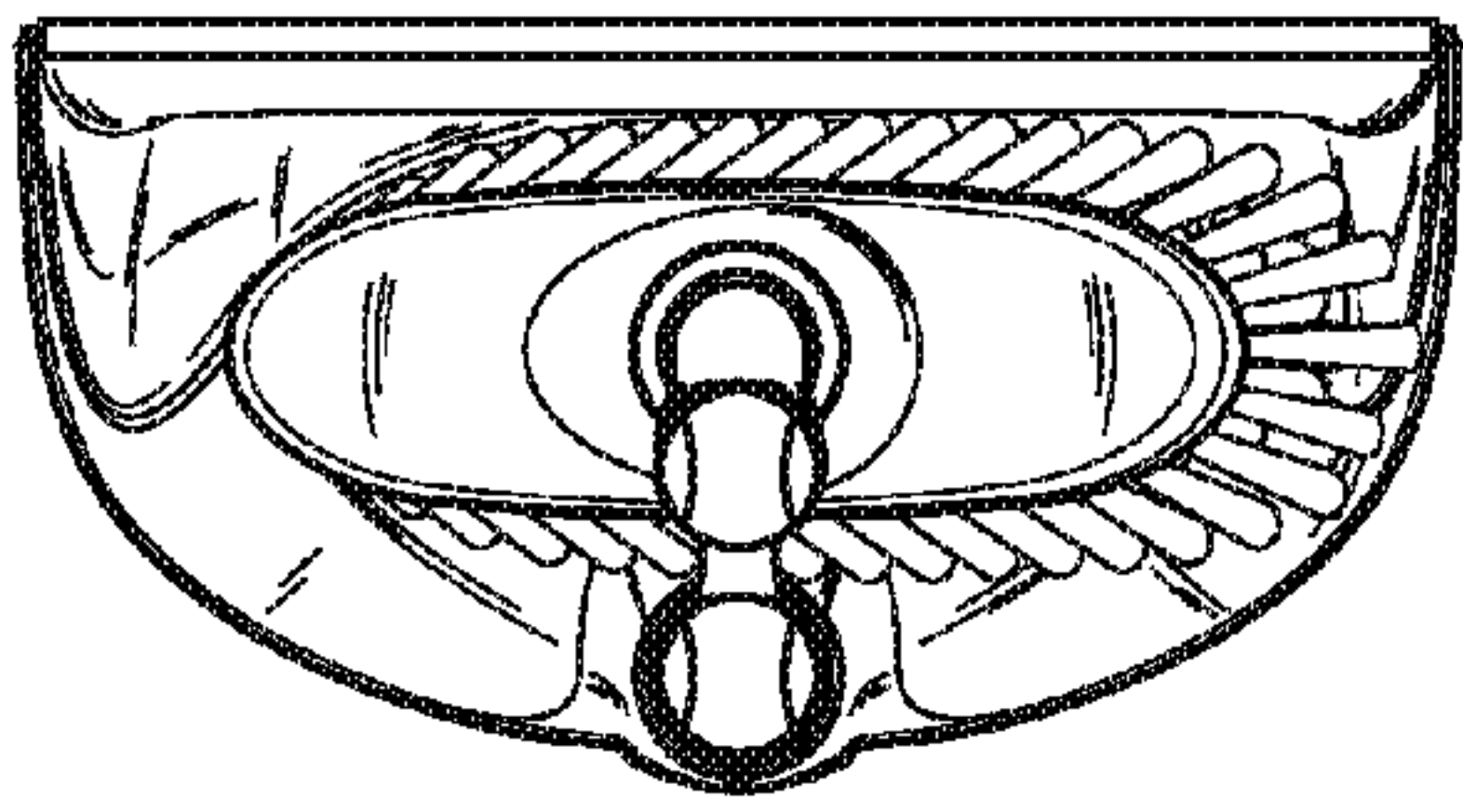


FIG. 5

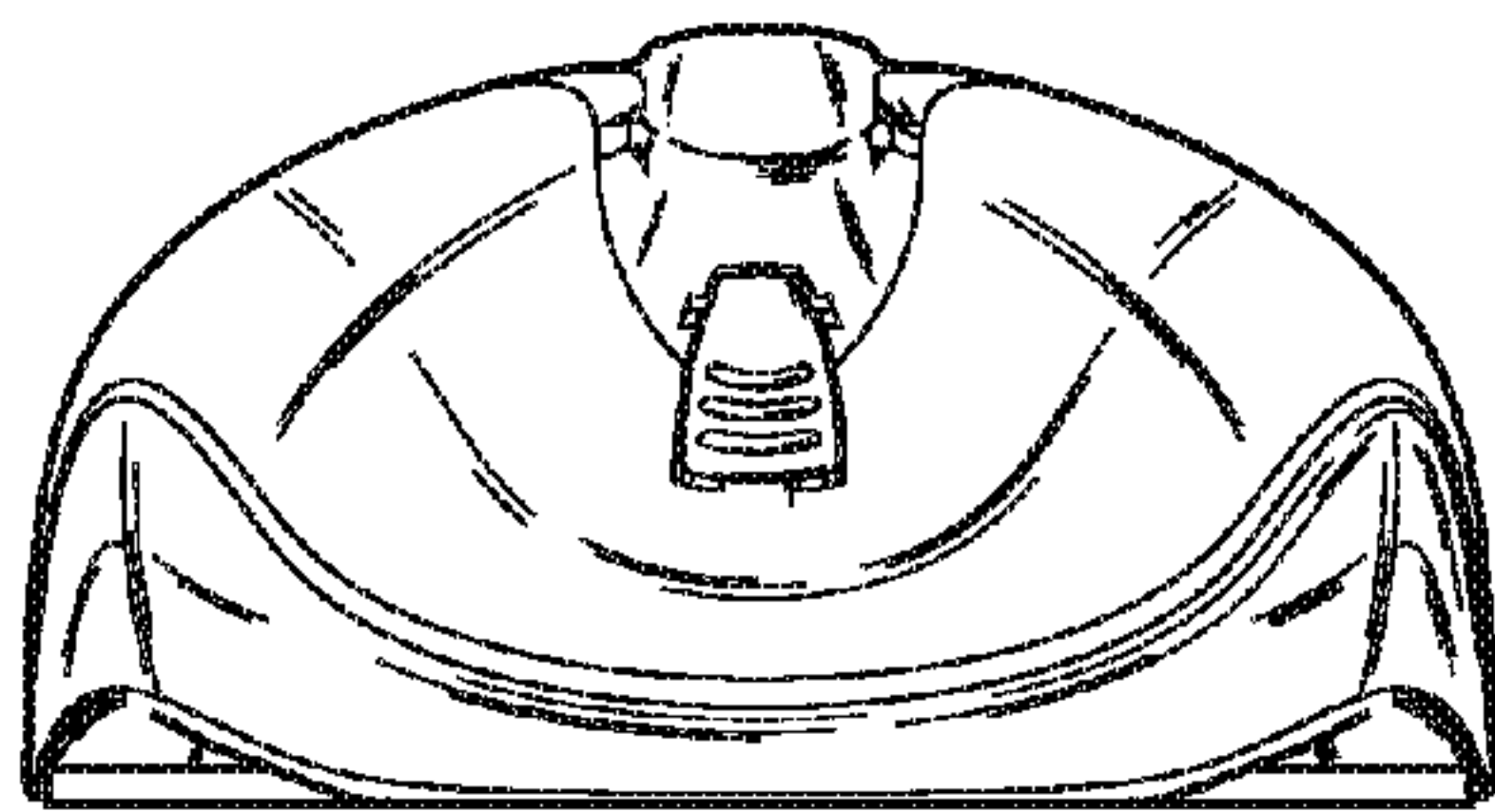


FIG. 6

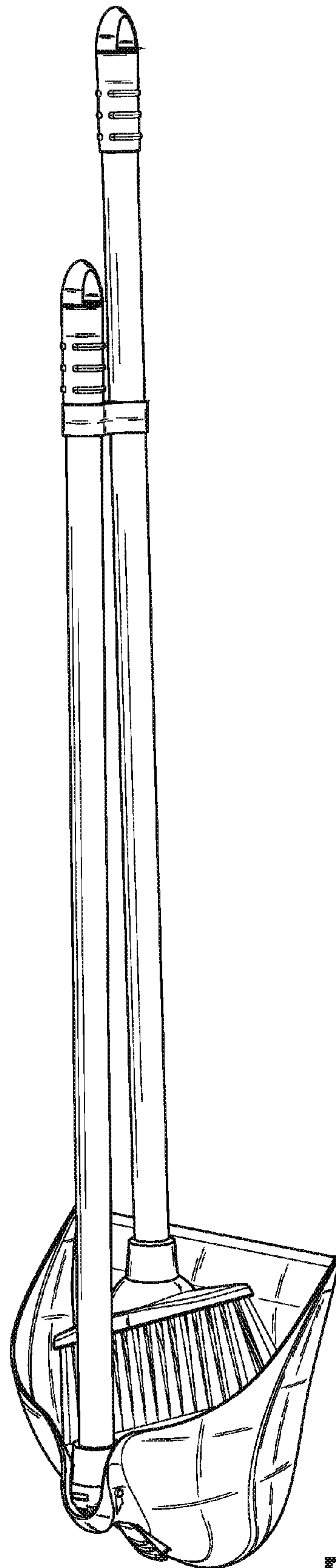


FIG. 7

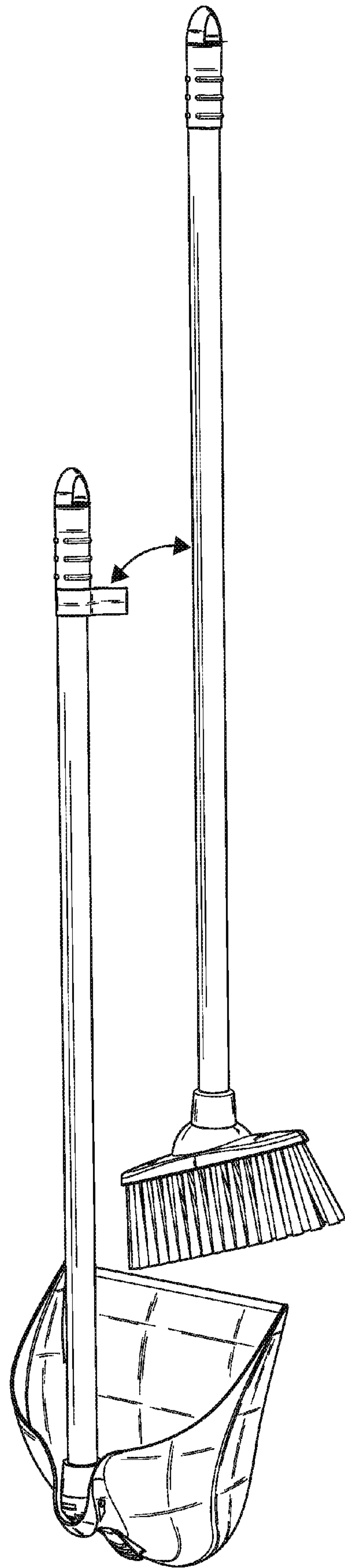


FIG.8