



US00D595508S

(12) **United States Design Patent**
Wagner

(10) **Patent No.:** **US D595,508 S**
(45) **Date of Patent:** **** Jul. 7, 2009**

(54) **3 SIDED FINGER BRUSH FOR ORAL HYGIENE**

Primary Examiner—Melanie H Tung
Assistant Examiner—Lavone D Tabor

(76) **Inventor:** **Eugene Carl Wagner**, 1626 Chastain Pkwy., East, Pacific Palisades, CA (US) 90272

(57) **CLAIM**

The ornamental design for a 3 sided finger brush for oral hygiene, as shown and described.

(**) **Term:** **14 Years**

(21) **Appl. No.:** **29/310,336**

DESCRIPTION

(22) **Filed:** **Aug. 11, 2008**

(51) **LOC (9) Cl.** **04-02**

(52) **U.S. Cl.** **D4/103**

(58) **Field of Classification Search** D4/103;
D24/146, 147, 152; D29/113, 114; 2/163;
15/104.94, 227; 401/7; 601/136–139
See application file for complete search history.

FIG. 1 is a perspective view of a 3 sided finger brush for oral hygiene, showing my new design;

FIG. 2 is an enlarged perspective view of the invention;

FIG. 3 is an enlarged front elevational view of the invention;

FIG. 4 is an enlarged rear elevational view of the invention;

FIG. 5 is an enlarged left-side elevational view of the invention, the right-side elevational view being a mirror image thereof;

FIG. 6 is an enlarged top plan view of the invention; and,

FIG. 7 is an enlarged bottom plan view of the invention.

The broken lines showing a hand in FIG. 1 are included for the purpose of illustrating the invention in use, and form no part of the claimed design.

The broken lines showing a series of rounded projections in FIGS. 1–3, 6 and 7 illustrate portions of the brush that form no part of the claimed design.

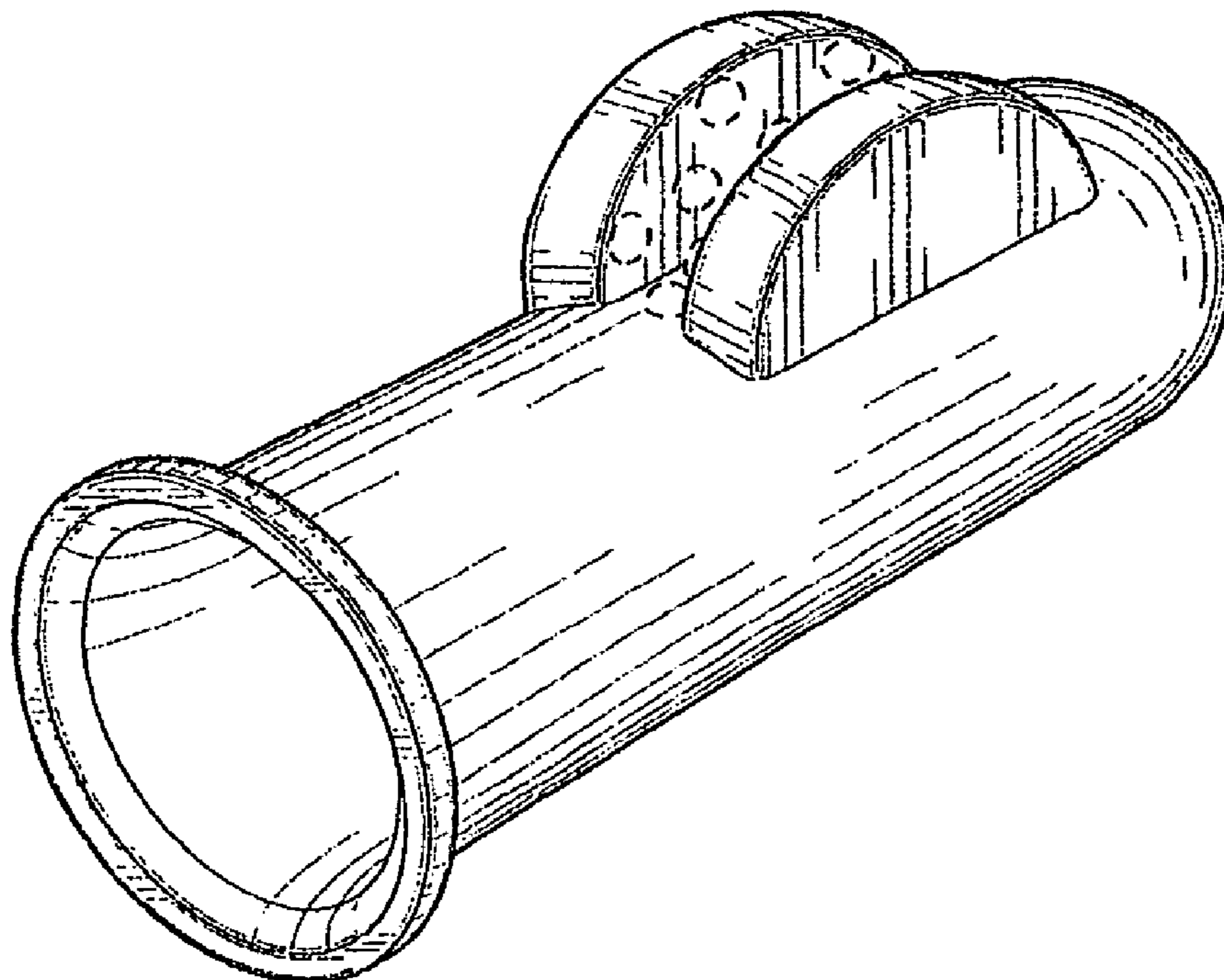
(56) **References Cited**

U.S. PATENT DOCUMENTS

1,161,719	A *	11/1915	Norton	601/154
2,041,262	A *	5/1936	Ness	15/188
2,077,540	A *	4/1937	Welker	401/7
D313,317	S *	1/1991	Brunner et al.	D4/103
5,765,252	A *	6/1998	Carr	15/104.94
5,819,765	A *	10/1998	Mittiga	132/309
5,826,599	A *	10/1998	Adams	132/308
6,254,390	B1 *	7/2001	Wagner	433/216
D459,808	S *	7/2002	Safieh	D24/152
D495,803	S *	9/2004	Gough et al.	D24/211

* cited by examiner

1 Claim, 3 Drawing Sheets



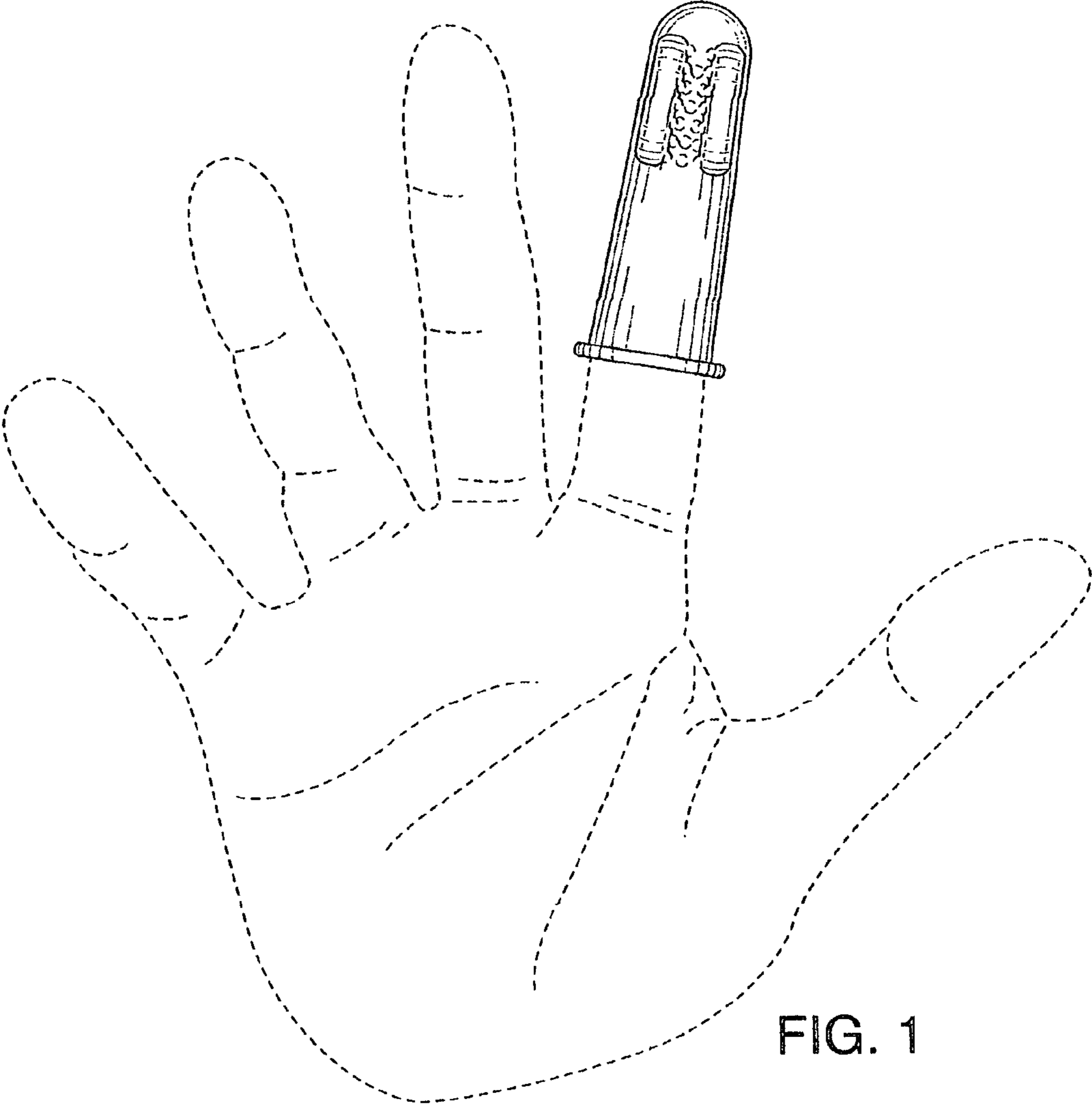


FIG. 1

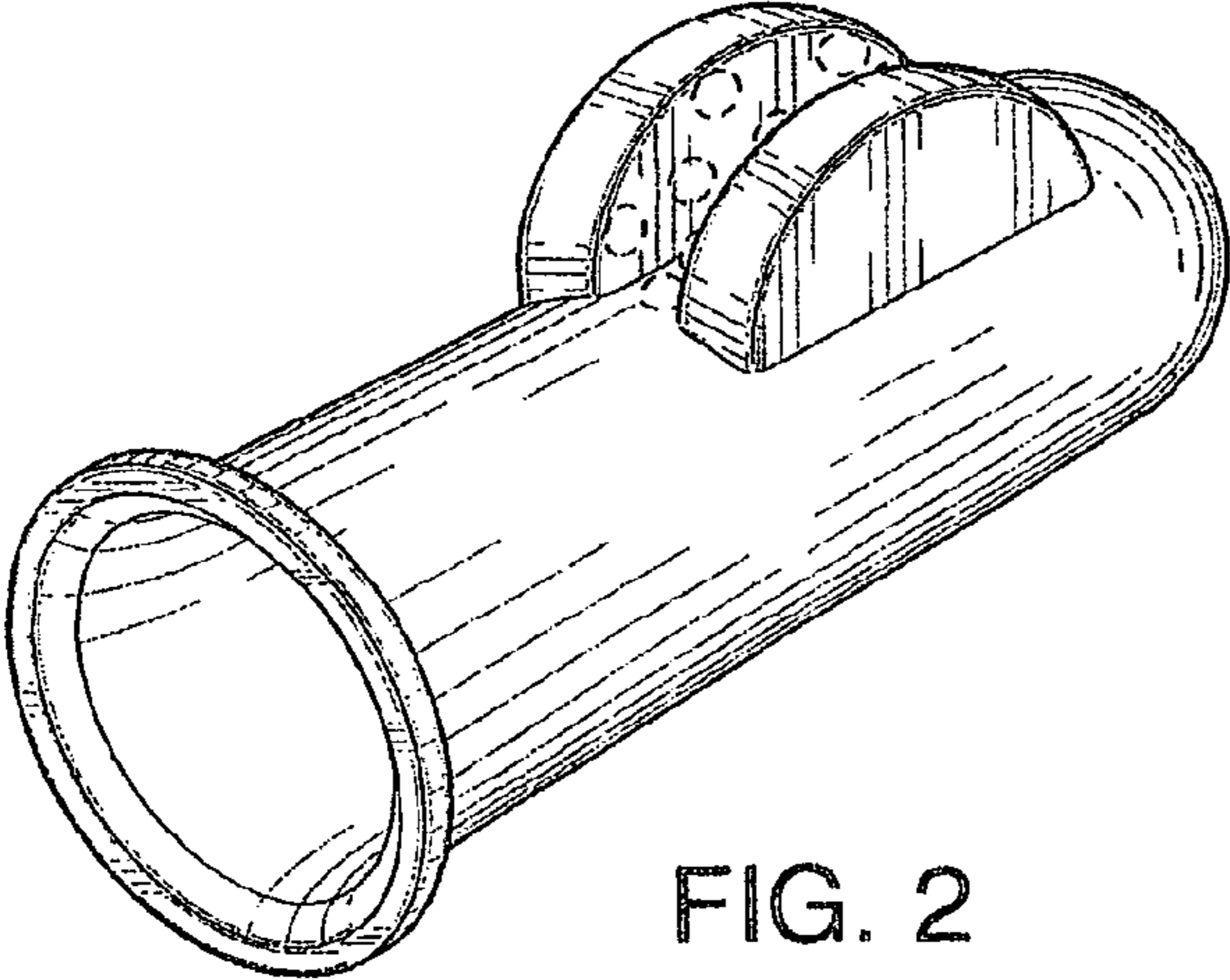


FIG. 2

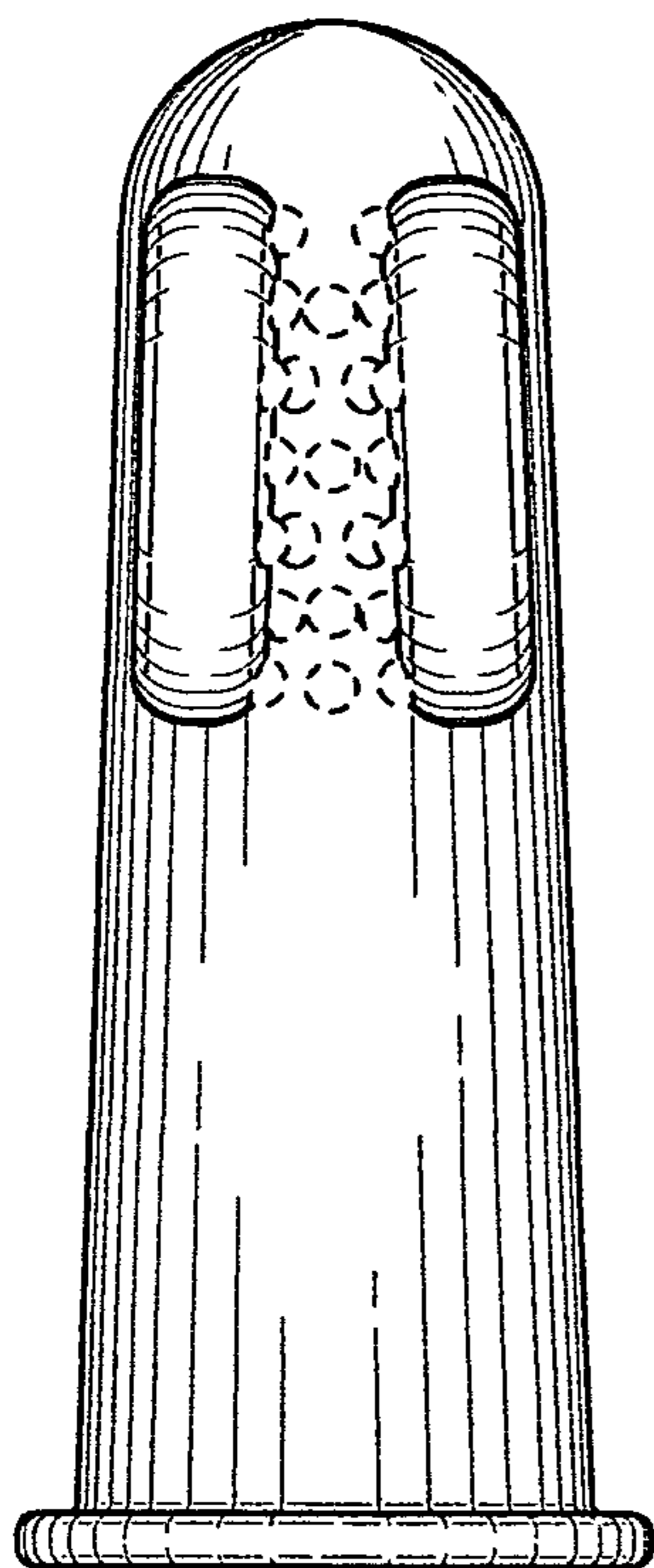


FIG. 3

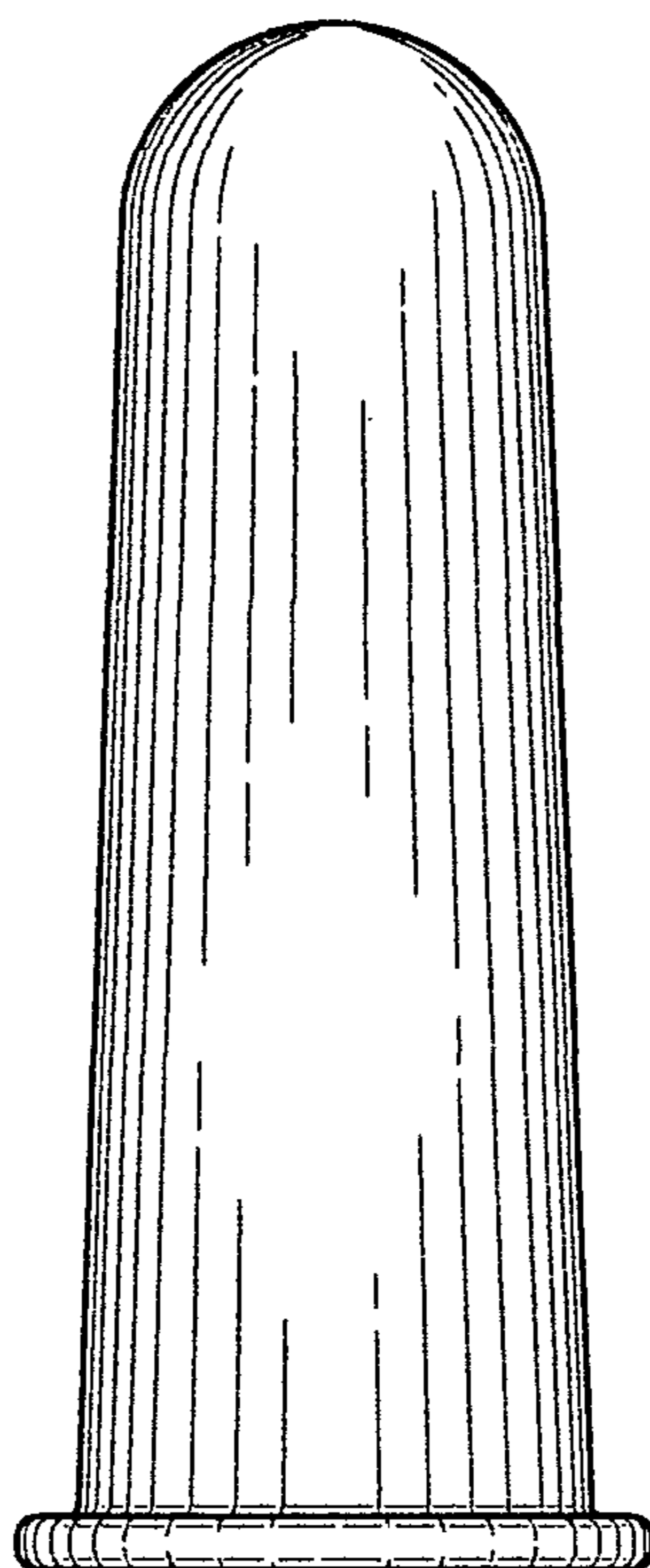


FIG. 4

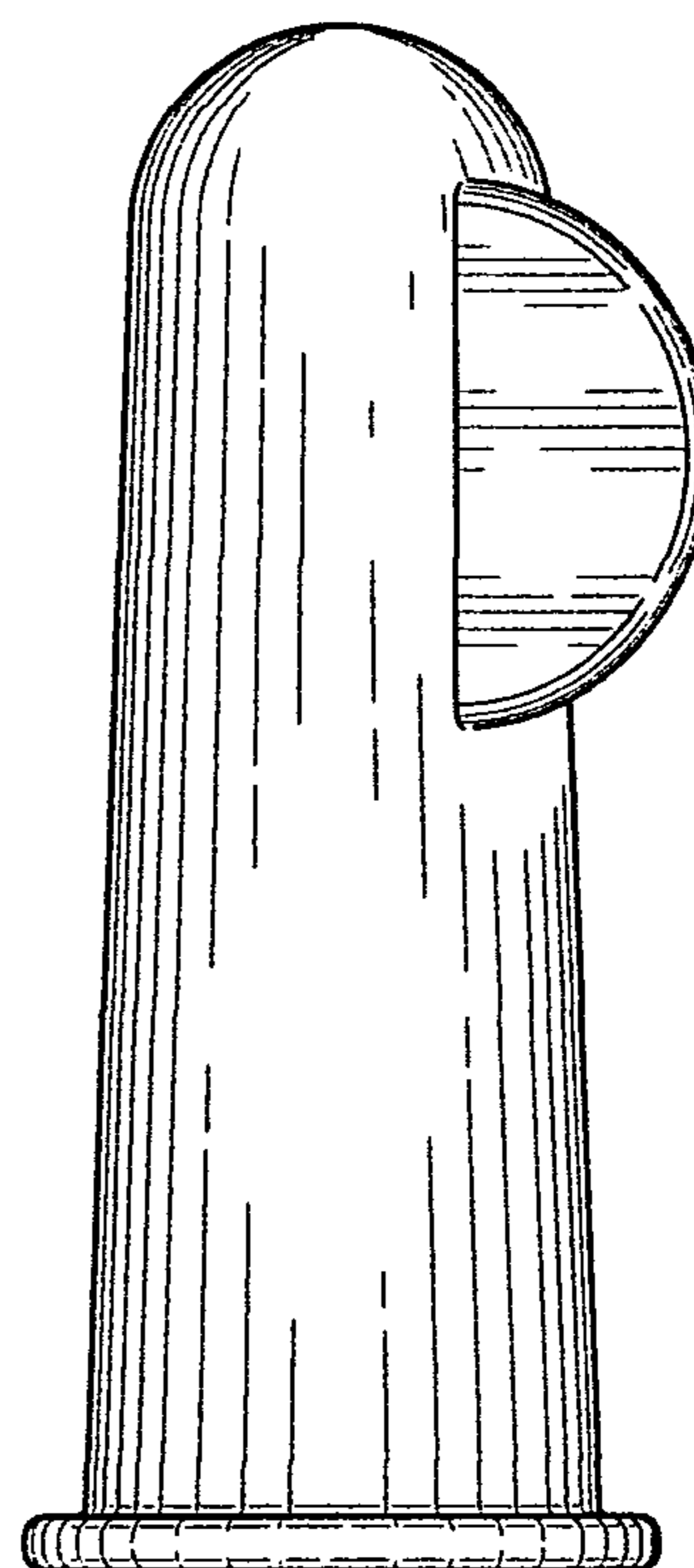


FIG. 5

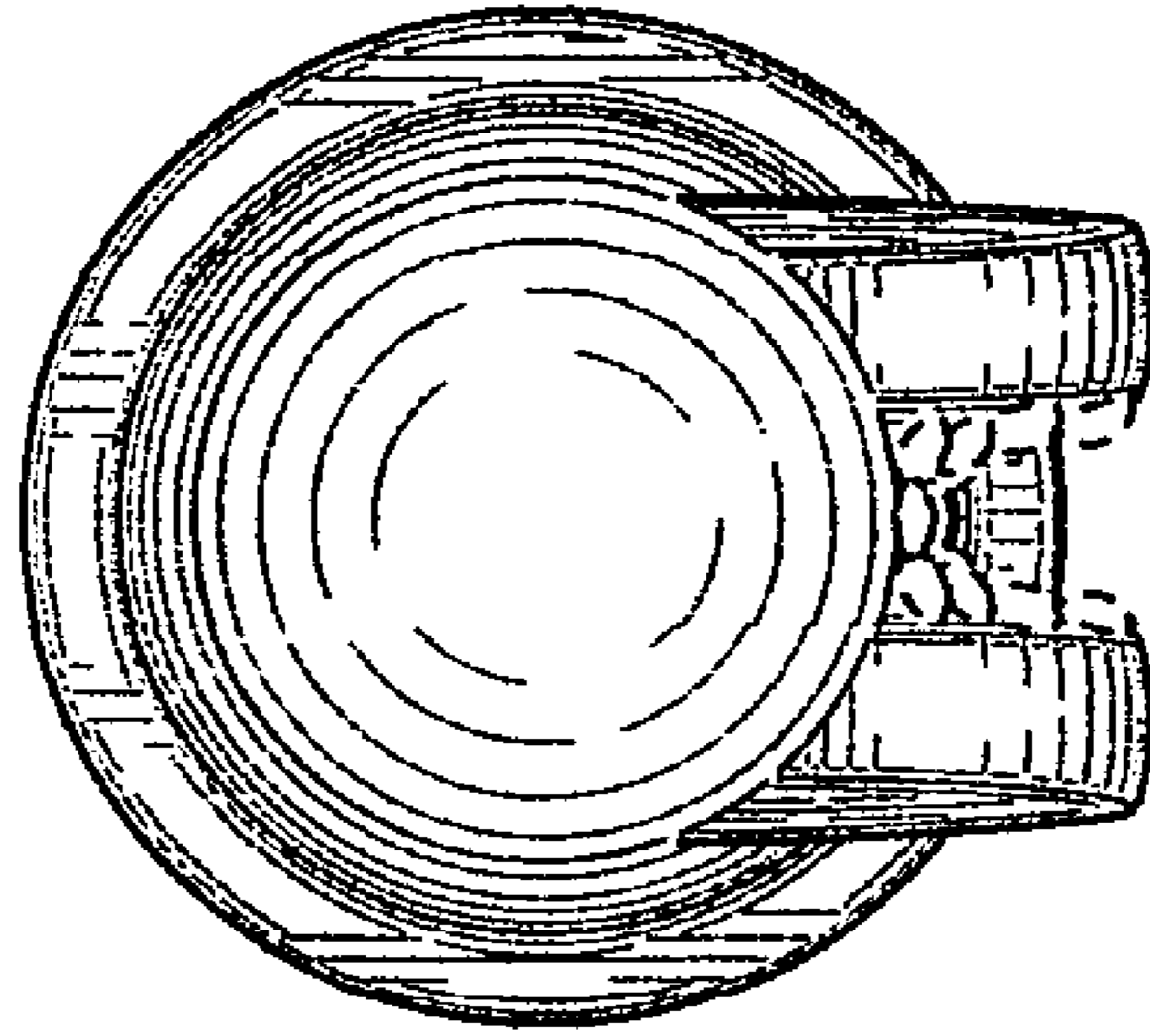


FIG. 6

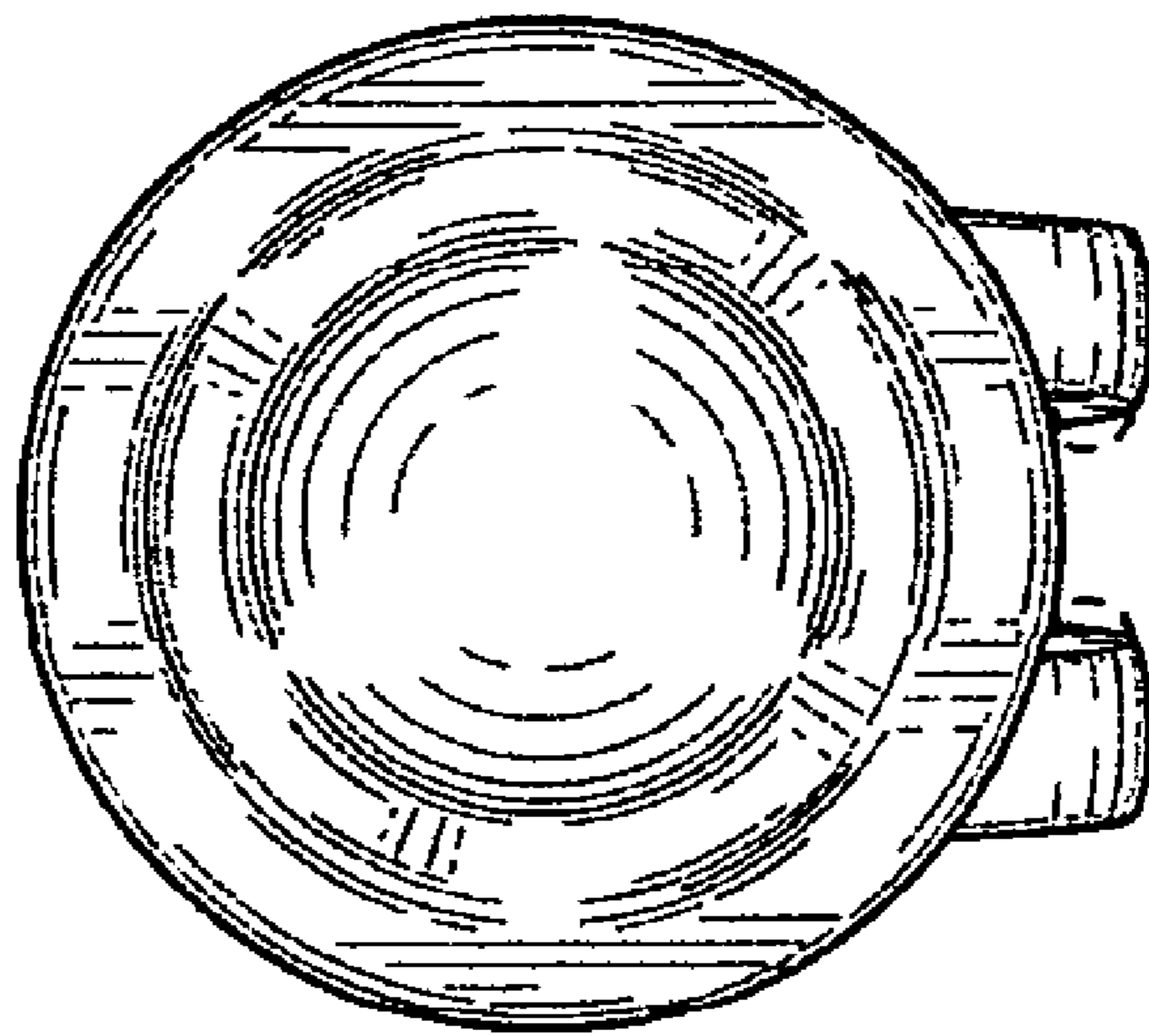


FIG. 7