



US00D595506S

(12) **United States Design Patent**  
**Hacker**

(10) **Patent No.:** **US D595,506 S**  
(45) **Date of Patent:** **\*\* Jul. 7, 2009**

(54) **FACE PLATE**

(75) Inventor: **Dean D. Hacker**, Oak Creek, WI (US)

(73) Assignee: **Master Lock Company LLC**, Oak Creek, WI (US)

(\*\*) Term: **14 Years**

(21) Appl. No.: **29/320,676**

(22) Filed: **Jul. 1, 2008**

(51) **LOC (9) Cl.** ..... **03-01**

(52) **U.S. Cl.** ..... **D3/318**

(58) **Field of Classification Search** ..... D3/318,  
D3/321, 323, 324, 326; D8/383, 343, 346;  
190/100, 101, 900; 70/69

See application file for complete search history.

(56) **References Cited**

**U.S. PATENT DOCUMENTS**

2,106,991 A	2/1938	Garfinkel	
2,146,657 A	2/1939	Stanley	
D122,811 S	10/1940	Adams	
D145,008 S	6/1946	Crane	
2,544,118 A	3/1951	Vent	
D166,127 S	3/1952	Rothstein	
2,664,735 A	1/1954	Vahlstrom et al.	
D176,602 S	1/1956	Durham	
D182,212 S	2/1958	Weiner	
2,962,138 A	11/1960	Finkelstein	
2,987,150 A	6/1961	Szabo	
2,987,151 A	6/1961	Frambes	
3,044,287 A	7/1962	Pelcin	
3,301,295 A	1/1967	Fitch	
D257,800 S	1/1981	Pedersen	
4,306,431 A	12/1981	Craig	
4,350,030 A *	9/1982	Bromley	70/70
4,474,116 A	10/1984	Castenada, Jr. et al.	
D279,429 S *	7/1985	Stolarz	D3/321
D279,940 S *	8/1985	Stolarz	D3/321
D280,678 S	9/1985	Loscalzo et al.	
D280,852 S	10/1985	Bakic	
4,573,332 A	3/1986	Ma	
D283,546 S	4/1986	Nathan	

D284,260 S *	6/1986	Stolarz	D8/341
4,611,711 A	9/1986	Warwicker	
4,667,491 A	5/1987	Lokken et al.	
D291,139 S	7/1987	Warwicker	
D291,745 S	9/1987	Hansen	
D294,196 S	2/1988	Bialo	
4,766,292 A	8/1988	Cone	
D300,987 S	5/1989	Gerch	

(Continued)

*Primary Examiner*—Holly H Baynham

*Assistant Examiner*—Sheryl Lane

(74) *Attorney, Agent, or Firm*—Calfee, Halter & Griswold LLP

(57) **CLAIM**

I claim the ornamental design for a face plate, as shown and described.

**DESCRIPTION**

FIG. 1 is a front perspective view of a face plate of the new design, showing the face plate installed on an exemplary storage box;

FIG. 2 is a left side perspective view of the face plate of FIG. 1;

FIG. 3 is a front elevation view of the face plate of FIG. 1;

FIG. 4 is a top view of the face plate of FIG. 1;

FIG. 5 is a rear view of the face plate of FIG. 1;

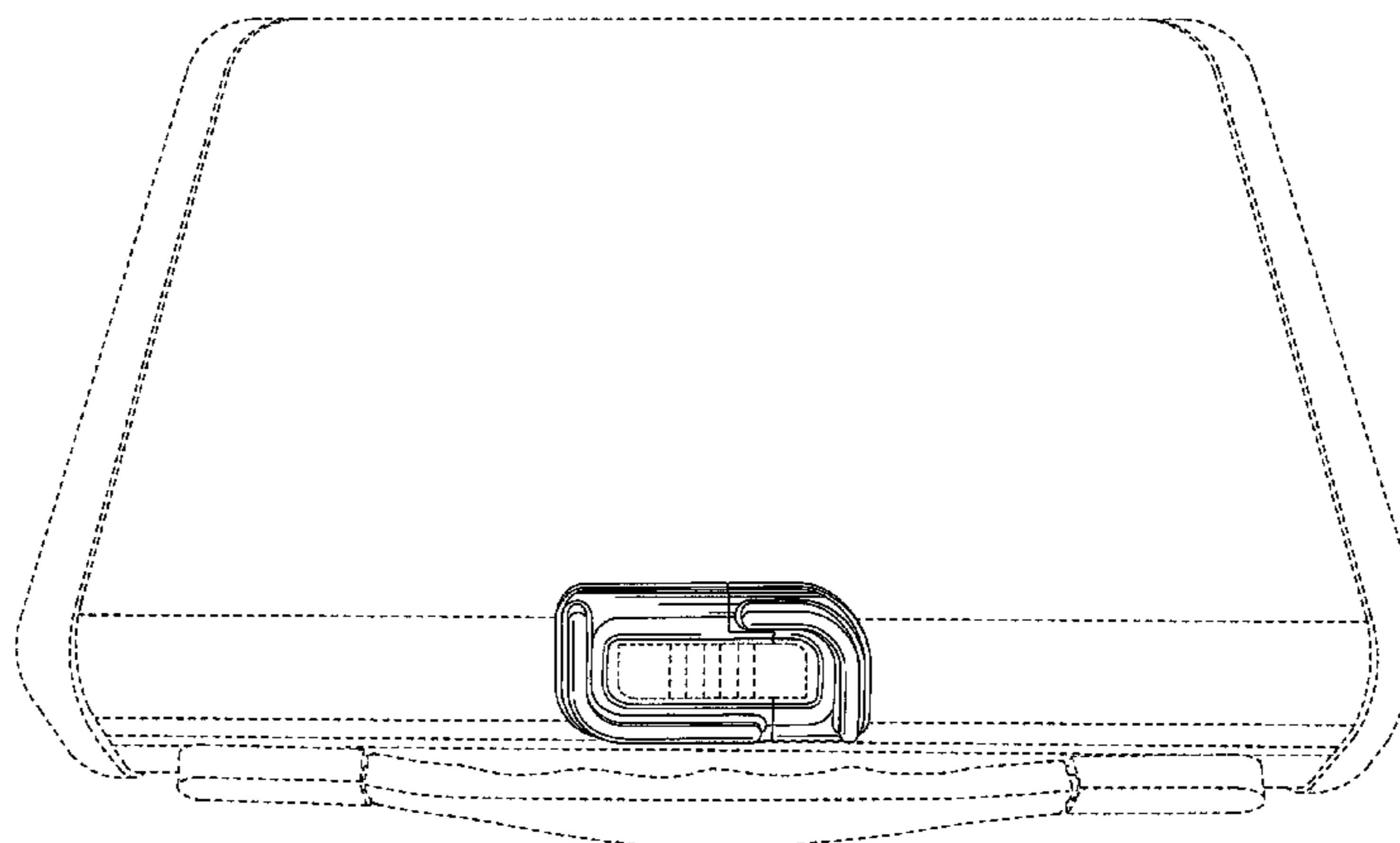
FIG. 6 is a right side view of the face plate of FIG. 1;

FIG. 7 is a left side view of the face plate of FIG. 1; and,

FIG. 8 is a bottom view of the face plate of FIG. 1.

The portions of the Figures shown in phantom lines form no part of the claimed design and are either for illustrative purposes only, or to define the bounds of the claimed design.

**1 Claim, 5 Drawing Sheets**



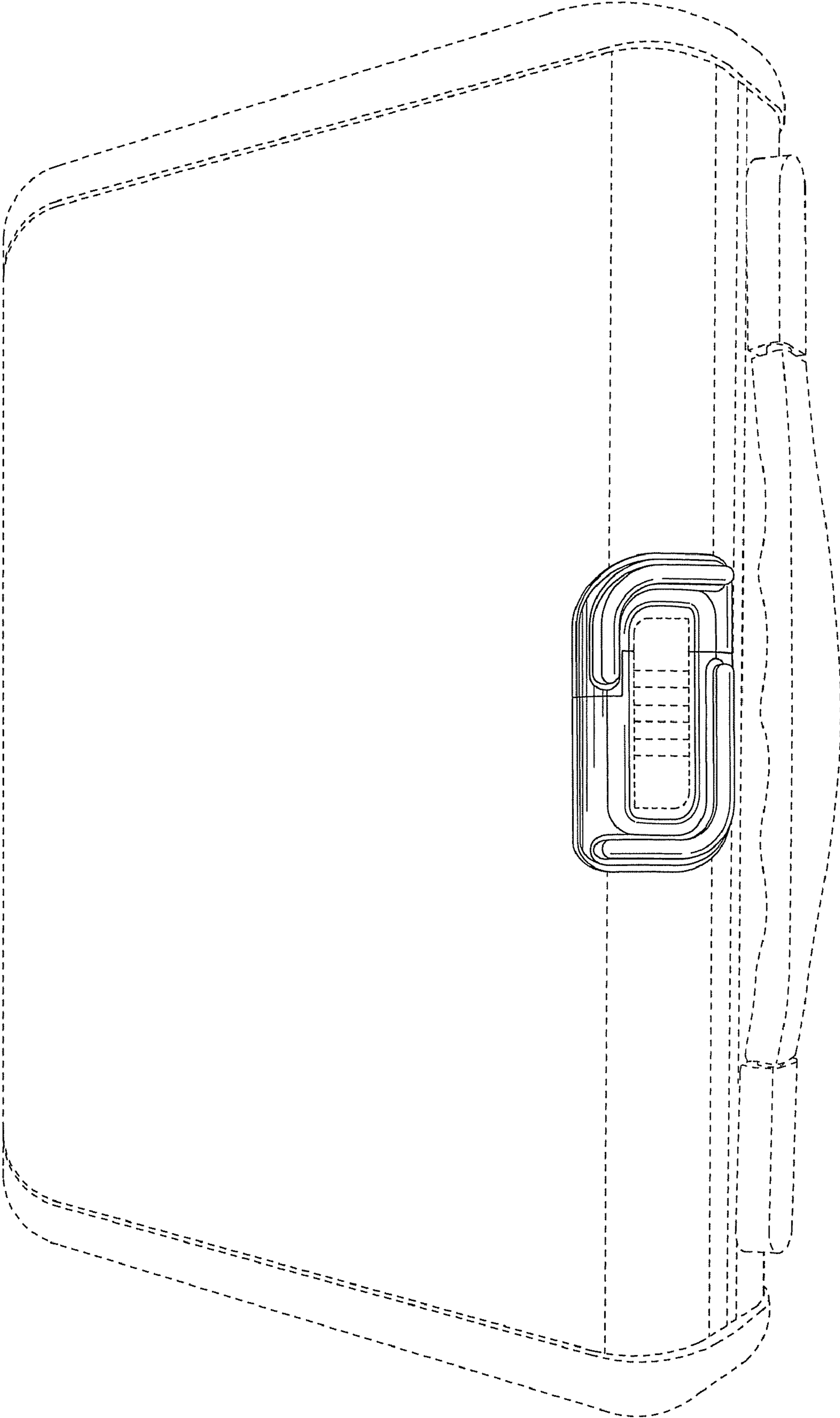
# US D595,506 S

Page 2

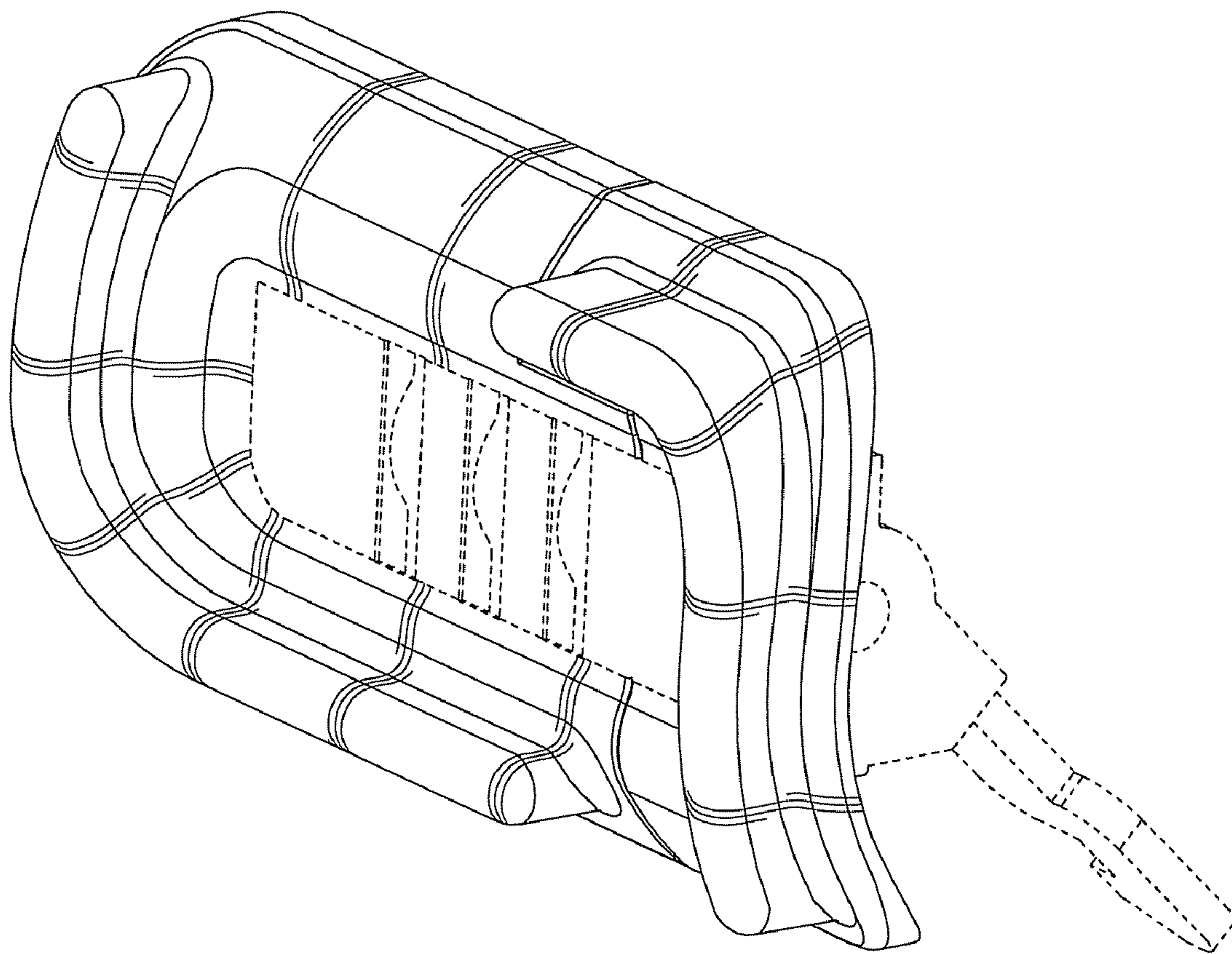
---

U.S. PATENT DOCUMENTS								
D304,674 S	*	11/1989	Gisiger .....	D8/341	5,857,682 A	1/1999	Hyman	
D307,354 S		4/1990	Knotter et al.		5,865,314 A	2/1999	Jacober	
5,009,088 A		4/1991	Cislo		D412,786 S	8/1999	Killinger	
D323,775 S	*	2/1992	Gehrie .....	D8/331	6,006,558 A	12/1999	Peters	
D330,913 S		11/1992	Hirumori		6,085,671 A	7/2000	Kerr et al.	
5,168,987 A		12/1992	Warwicker		D437,685 S	2/2001	Liu	
D333,727 S		3/1993	Schurman		D440,401 S	4/2001	Pauser et al.	
D338,781 S		8/1993	Eitel		D447,633 S	9/2001	Demsien et al.	
D340,132 S		10/1993	Coyle et al.		D448,931 S	10/2001	Gutierrez et al.	
D341,935 S		12/1993	Peersmann		D449,165 S	10/2001	van der Hulst	
5,429,240 A		7/1995	Biebel et al.		D454,429 S	3/2002	Hussaini et al.	
D366,280 S		1/1996	Henderson		D454,689 S	3/2002	Gonda et al.	
D367,211 S		2/1996	Cautereels		D458,127 S	6/2002	de Groote	
D367,558 S		3/1996	Lai		D541,045 S	4/2007	Pearl et al.	
D371,906 S		7/1996	Peters		D542,529 S	5/2007	Pearl et al.	
D373,901 S		9/1996	Bergstedt		D546,065 S	*	7/2007	Fenton et al. .... D3/321
D376,691 S		12/1996	Naas et al.		D558,977 S		1/2008	Pearl et al.
D386,307 S		11/1997	Naas et al.		D561,994 S		2/2008	Pearl et al.
D393,526 S		4/1998	Robey et al.		D570,195 S	*	6/2008	Schlatter ..... D8/331
D399,632 S		10/1998	Davis et al.		D577,191 S		9/2008	Moldovan

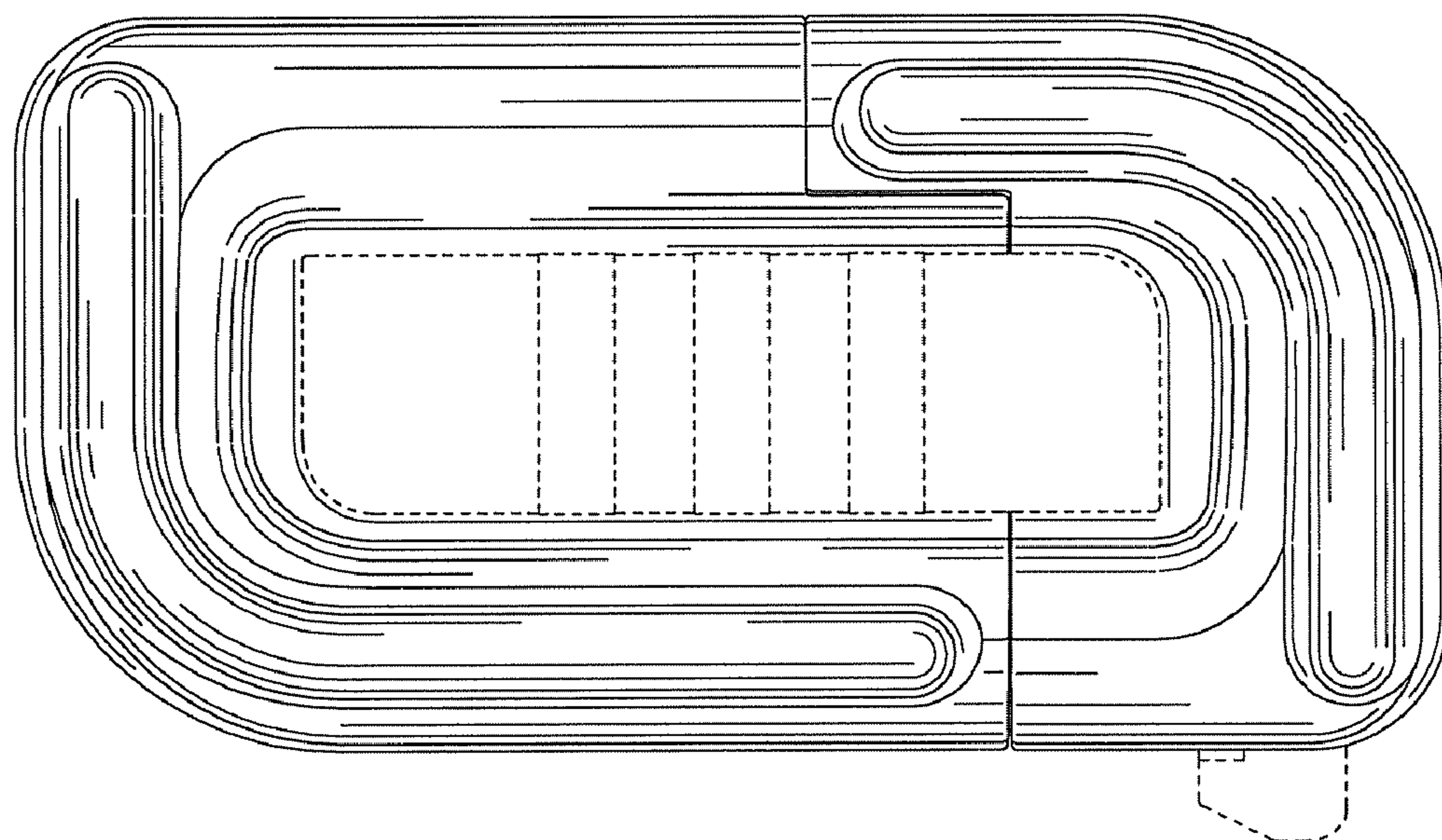
\* cited by examiner



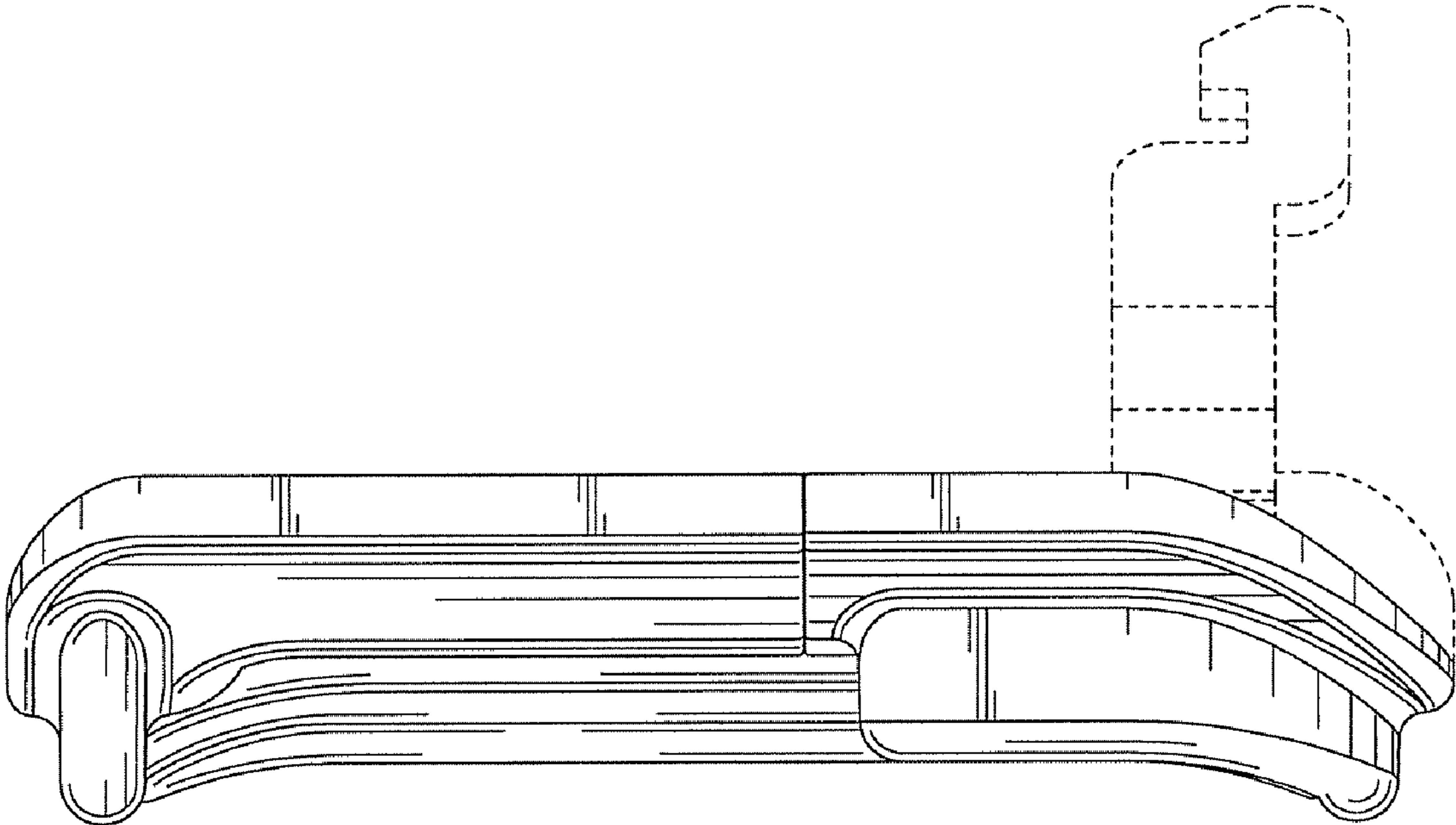
**FIG. 1**



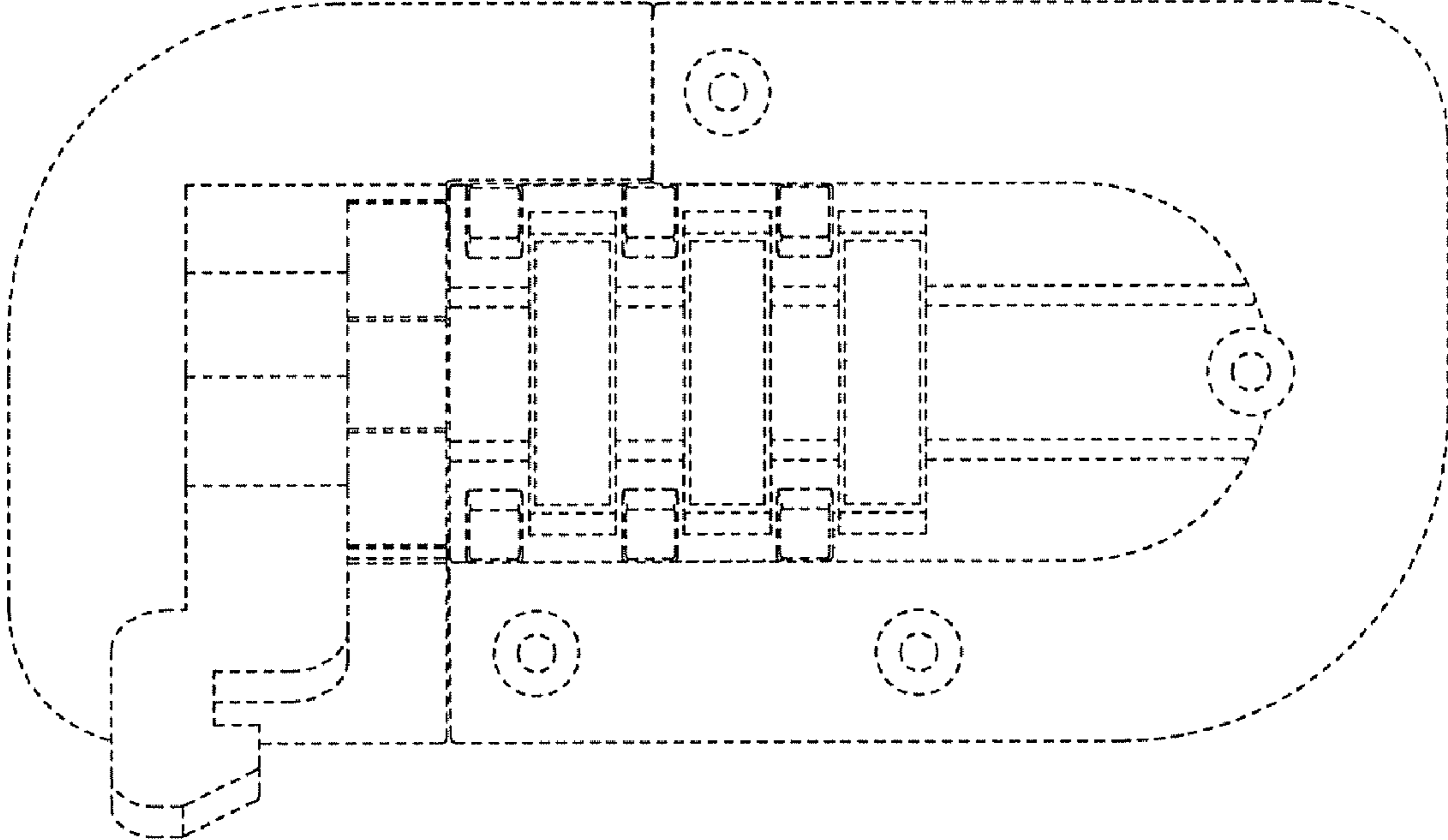
**FIG. 2**



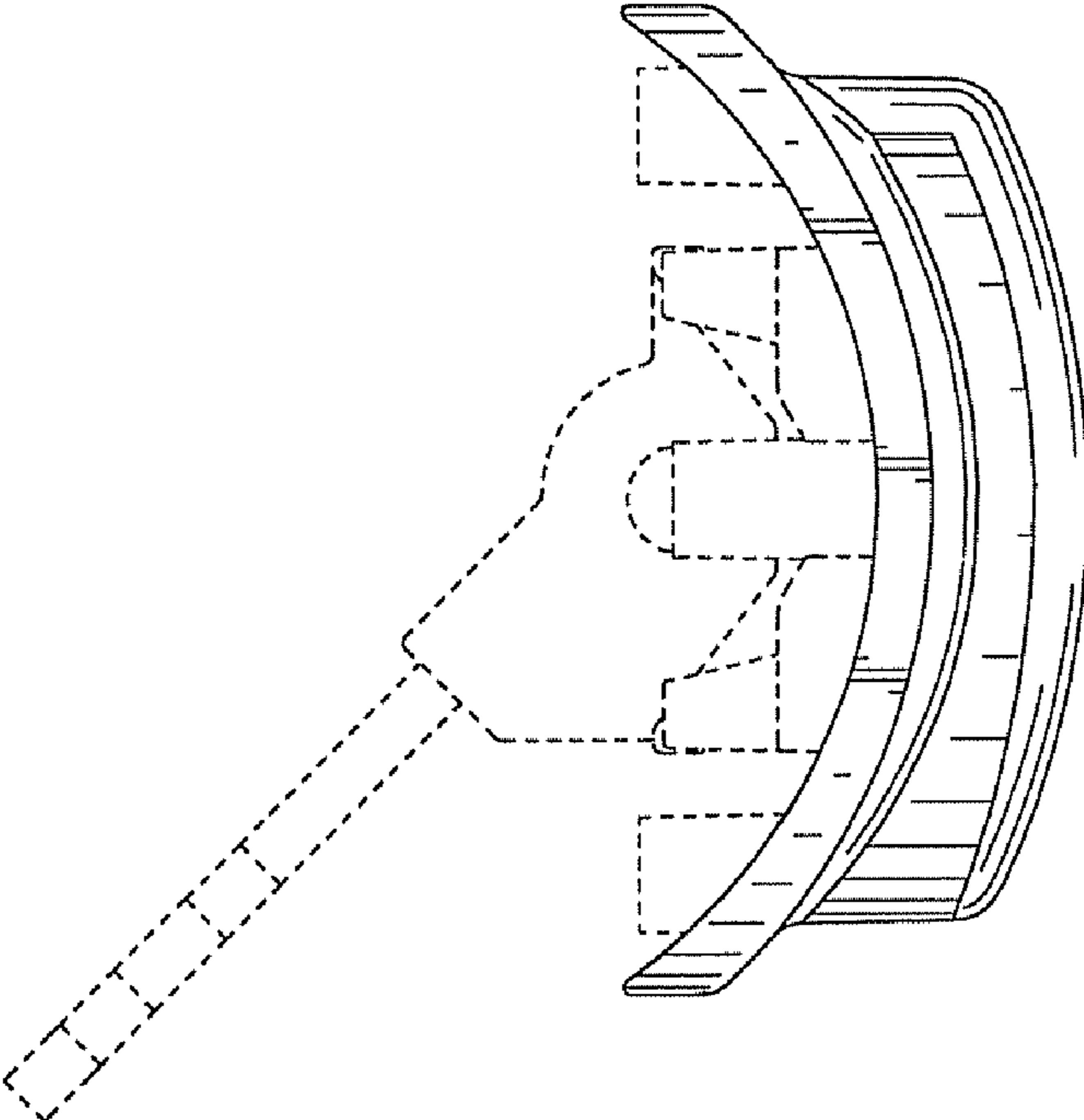
**FIG. 3**



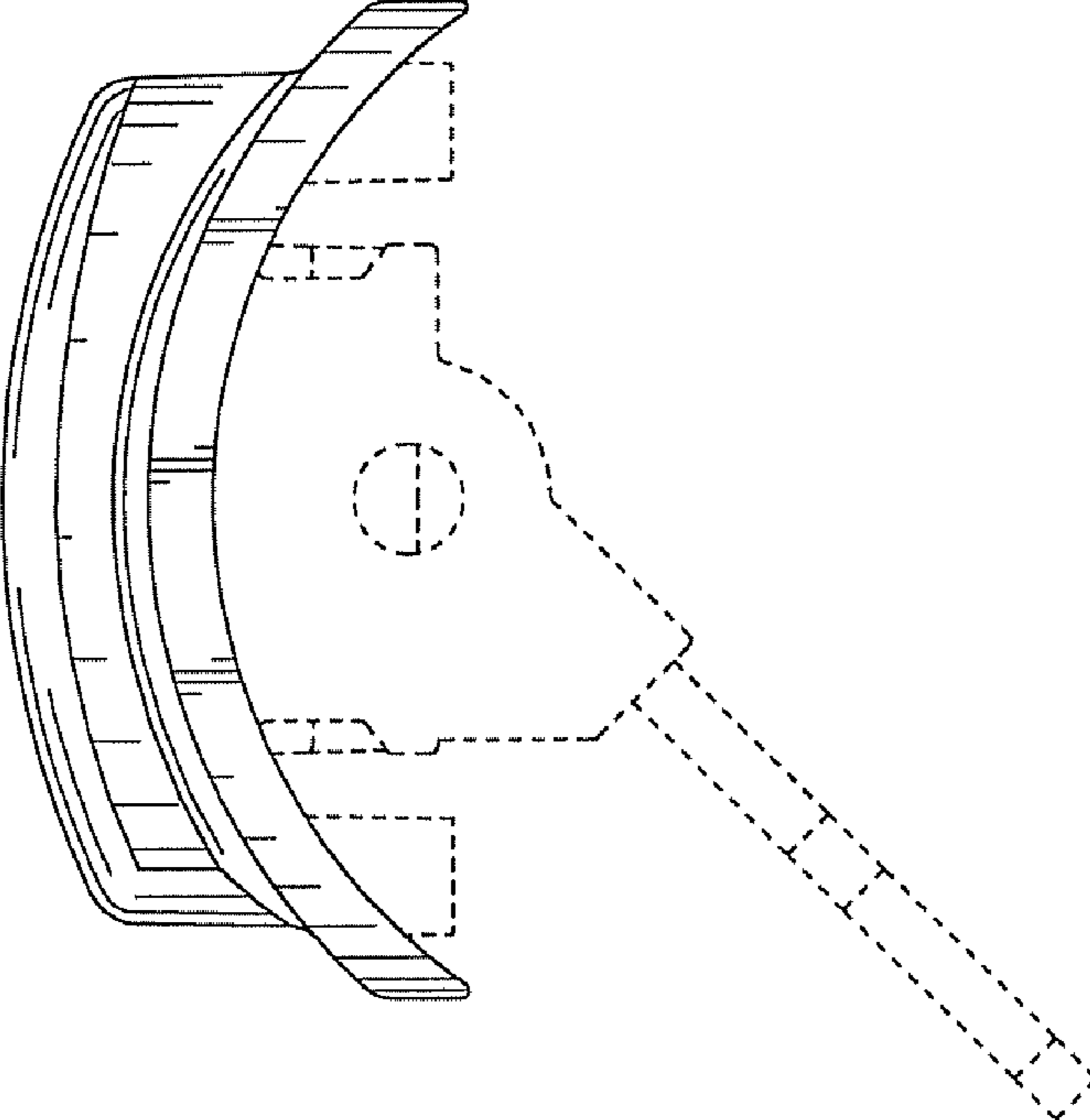
**FIG. 4**



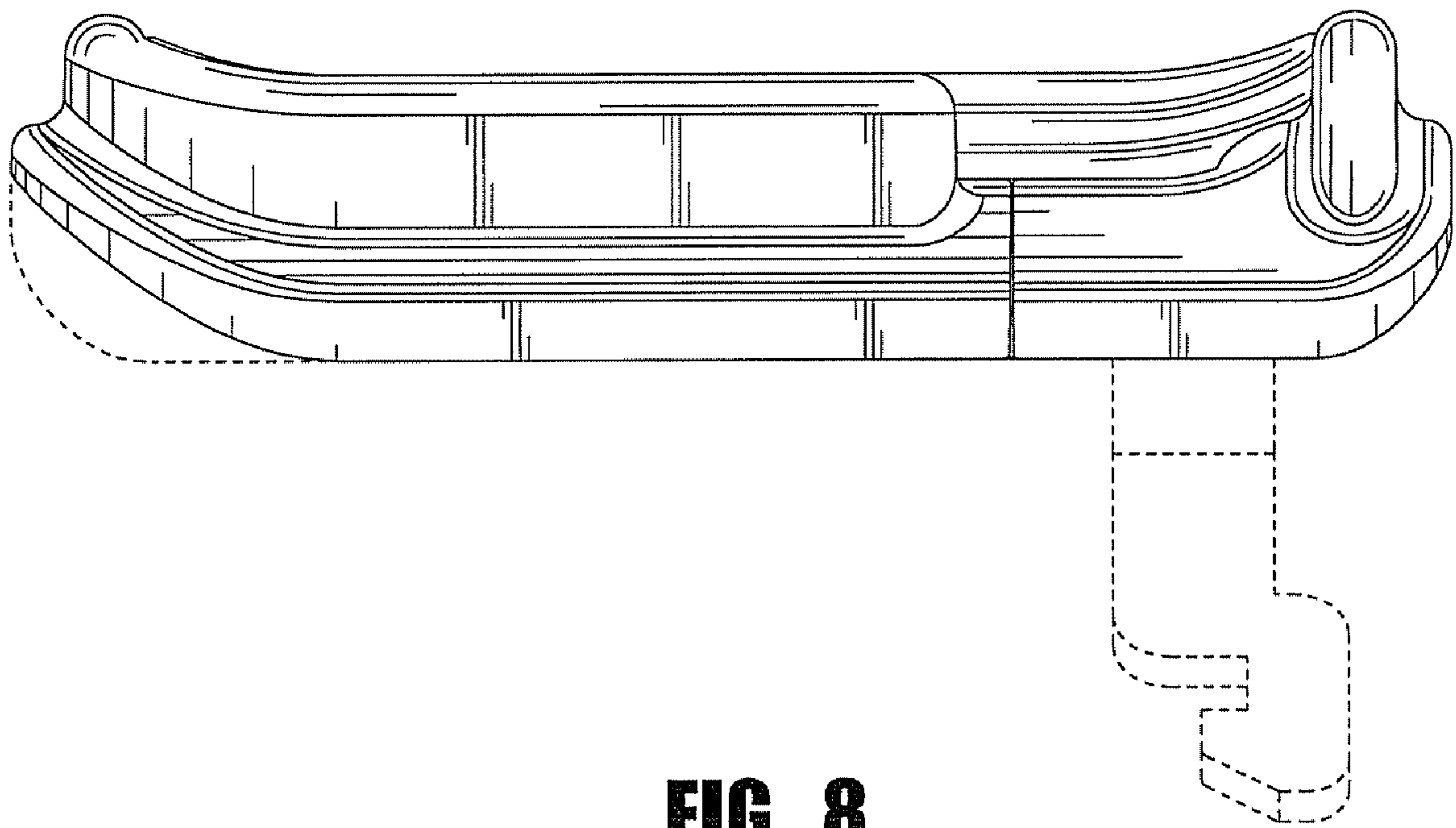
**FIG. 5**



**FIG. 6**



**FIG. 7**



**FIG. 8**