



US00D595504S

(12) **United States Design Patent**
Mikkelsen

(10) **Patent No.:** **US D595,504 S**
(45) **Date of Patent:** **** Jul. 7, 2009**

(54) **FOLDABLE BAG**

(75) Inventor: **Lars Mikkelsen**, Horsens (DK)

(73) Assignee: **D2T Premium Products ApS**, Horsens (DK)

(**) Term: **14 Years**

(21) Appl. No.: **29/284,426**

(22) Filed: **Sep. 7, 2007**

(51) **LOC (9) Cl.** **03-01**

(52) **U.S. Cl.** **D3/276**

(58) **Field of Classification Search** D3/276,
D3/289, 273, 285, 287, 283, 301, 290, 900,
D3/272; 190/11-115, 903; 206/349, 373
See application file for complete search history.

(56) **References Cited**

U.S. PATENT DOCUMENTS

5,899,420	A *	5/1999	Gerardi	248/146
D414,932	S *	10/1999	Platte, III	D3/276
6,390,260	B1 *	5/2002	Roegner	190/109
D477,142	S *	7/2003	Dancyger	D3/274
D502,599	S *	3/2005	Cabana et al.	D3/292
D515,810	S *	2/2006	Terwelp	D3/276

7,243,793	B2 *	7/2007	Ho	206/373
7,246,643	B2 *	7/2007	Andrews	150/105
2005/0167306	A1 *	8/2005	Ho	206/373
2005/0224304	A1 *	10/2005	Bhavnani	190/107
2006/0213736	A1 *	9/2006	Godshaw	190/31
2006/0261113	A1 *	11/2006	Godshaw et al.	224/576

* cited by examiner

Primary Examiner—Raphael Barkai

Assistant Examiner—Randall H Gholson

(74) *Attorney, Agent, or Firm*—Winston & Strawn LLP

(57) **CLAIM**

The ornamental design for a foldable bag, as shown and described.

DESCRIPTION

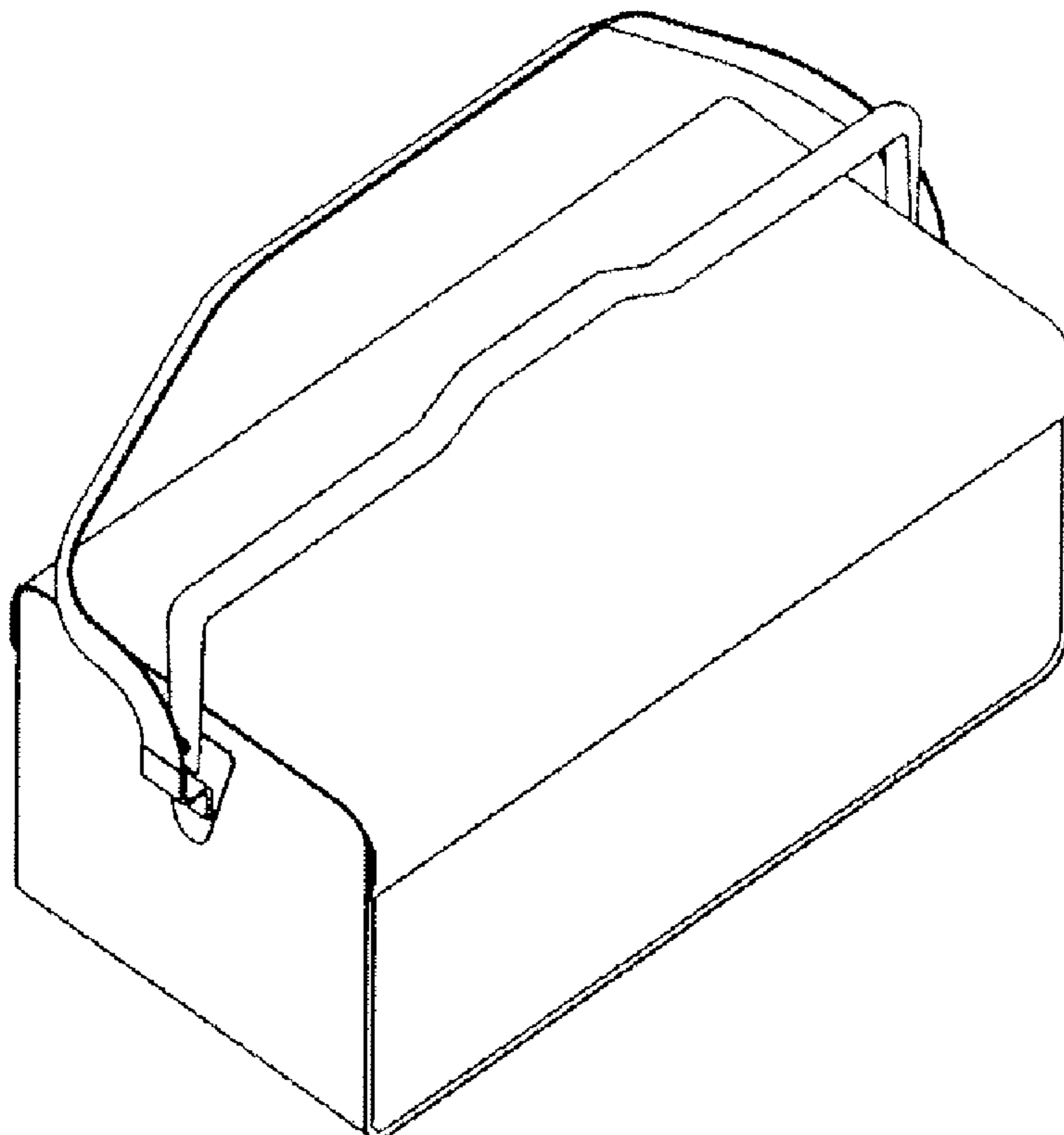
FIG. 1 is a perspective view of a foldable bag showing my new design;

FIG. 2 is a front view of the foldable bag of FIG. 1, to which a rear view is identical;

FIG. 3 is a side view of the foldable bag of FIG. 1, to which an opposite side view is identical; and,

FIG. 4 is a top view of the foldable bag of FIG. 1.

1 Claim, 2 Drawing Sheets



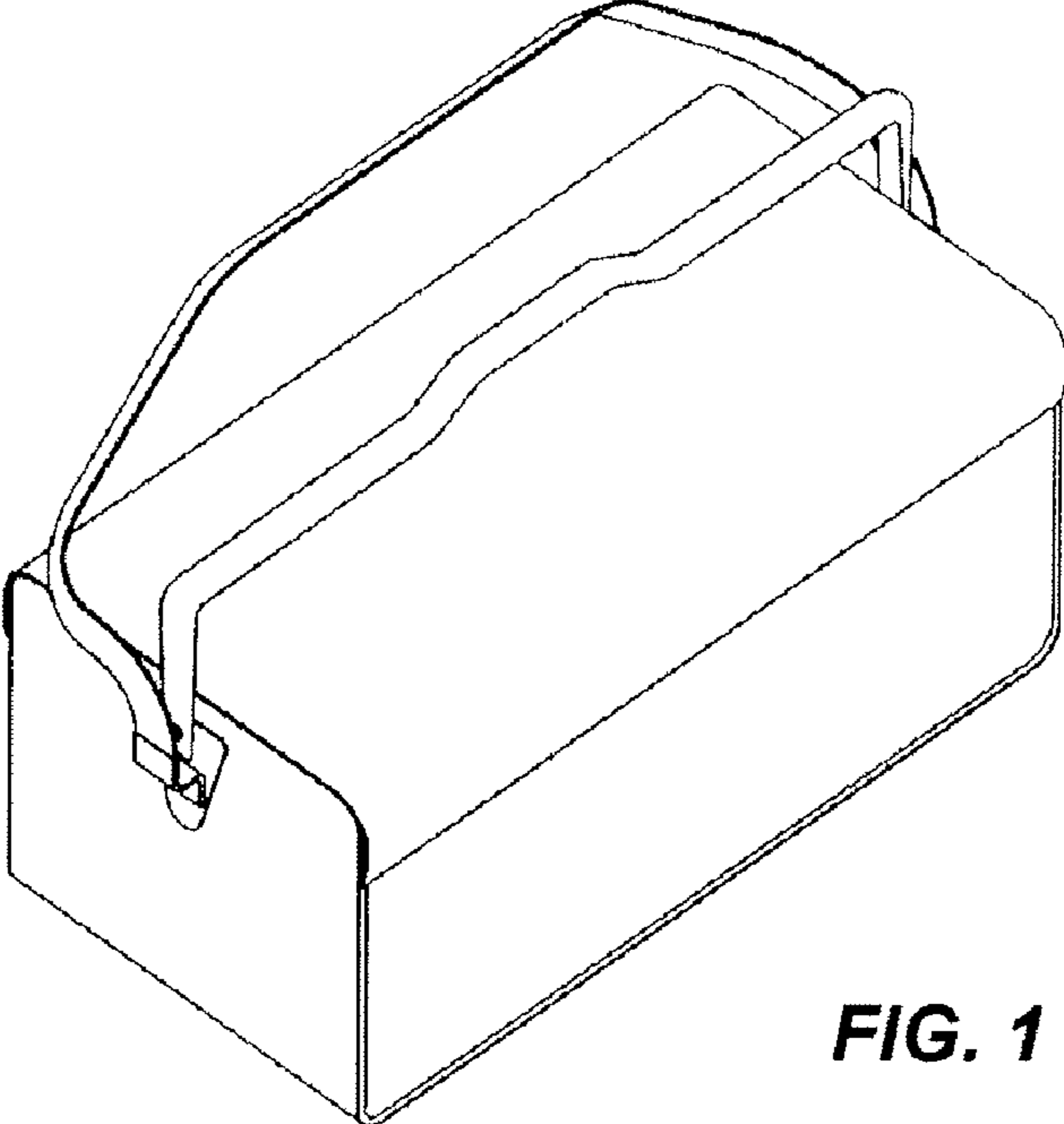


FIG. 1

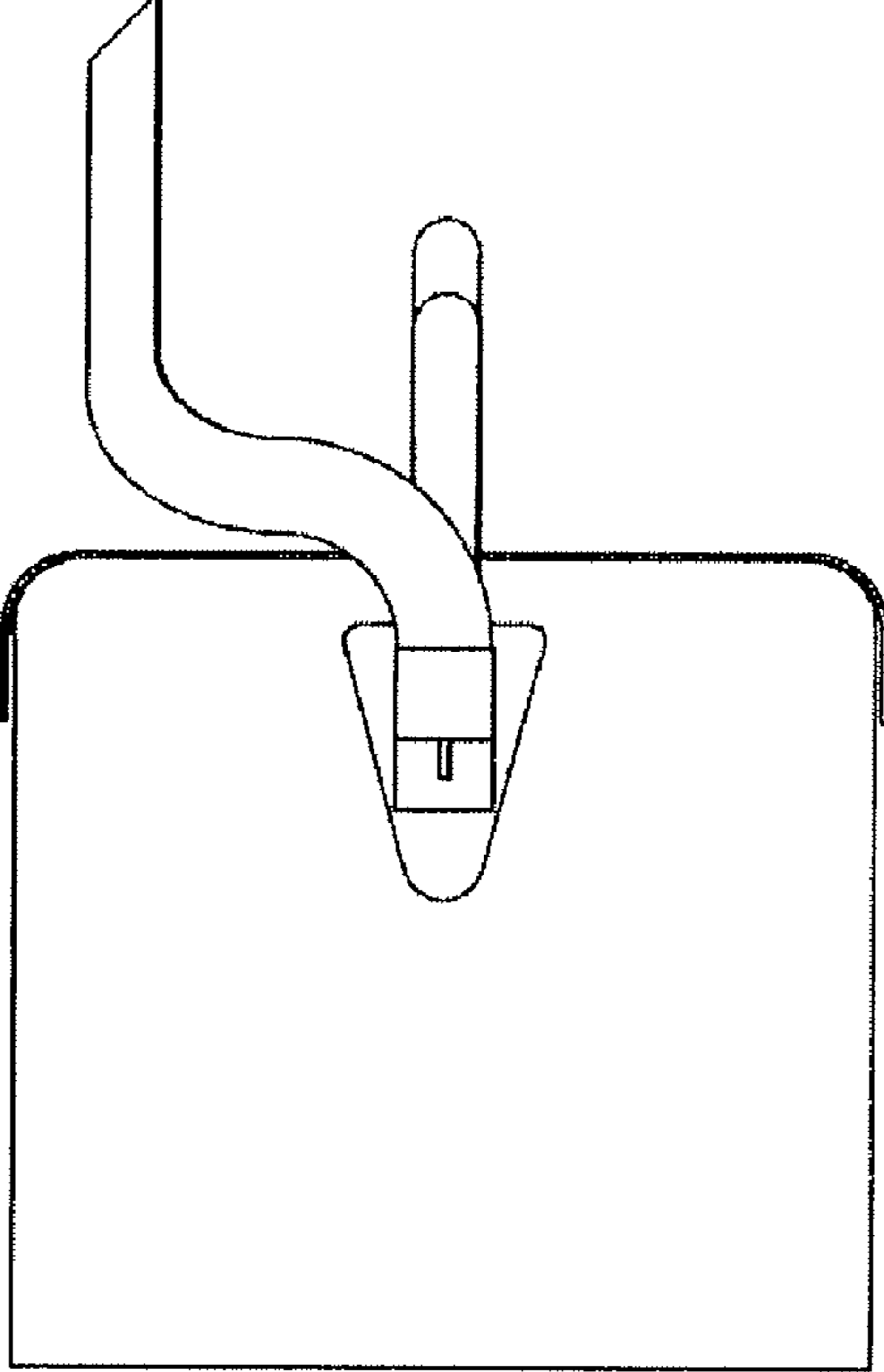


FIG. 2

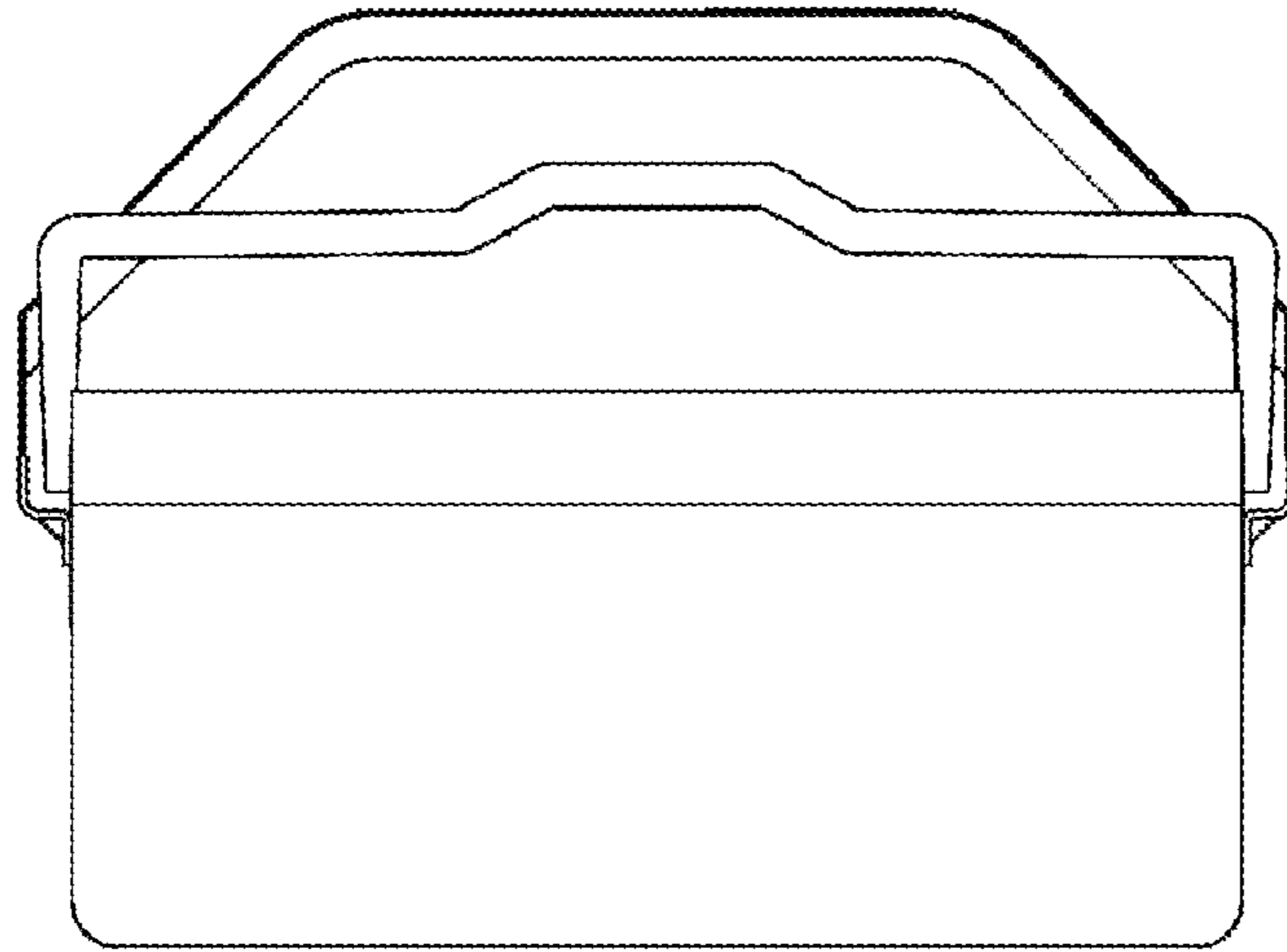


FIG. 3

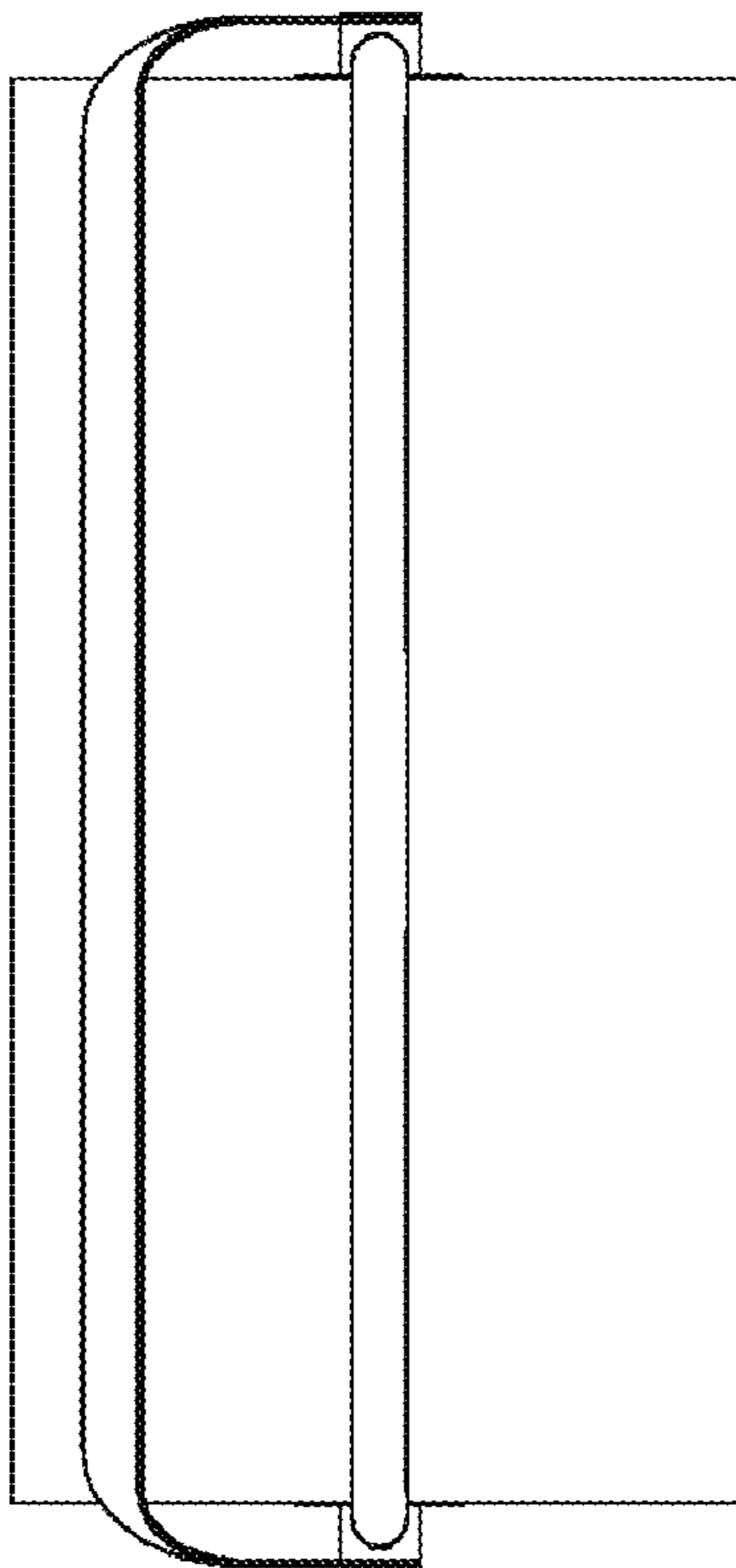


FIG. 4

UNITED STATES PATENT AND TRADEMARK OFFICE
CERTIFICATE OF CORRECTION

PATENT NO. : Des. 595,504 S
APPLICATION NO. : 29/284426
DATED : July 7, 2009
INVENTOR(S) : Mikkelsen

Page 1 of 1

It is certified that error appears in the above-identified patent and that said Letters Patent is hereby corrected as shown below:

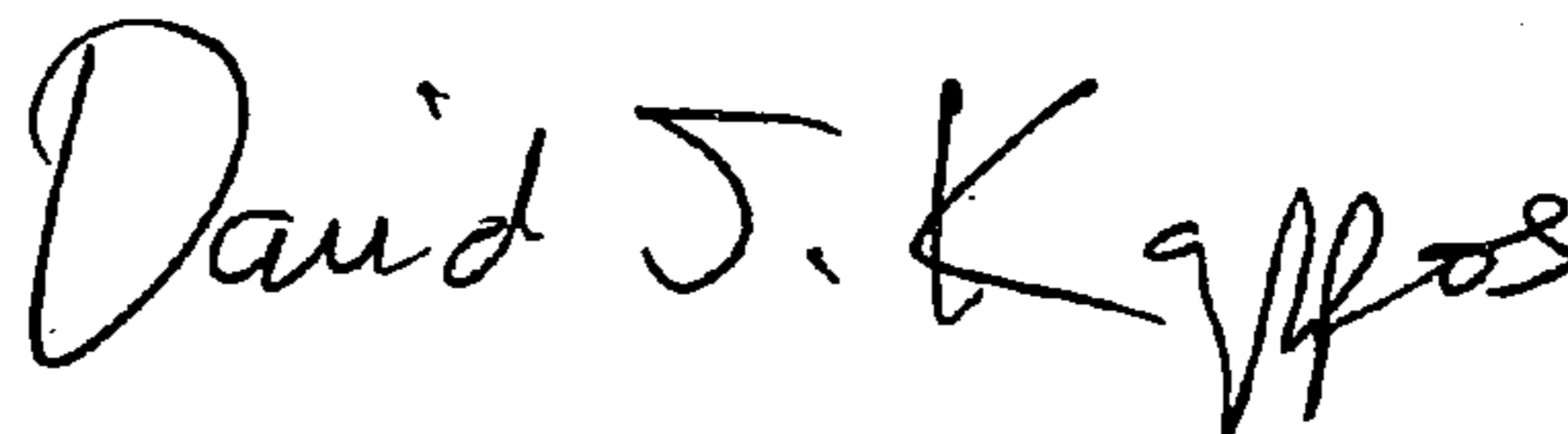
Title Page:

After Item (22), add the following foreign application priority data:

item -- (30)	Foreign Application Priority Data
	Mar. 9, 2007 (DK Community Design) 000685748-0001
	Mar. 9, 2007 (DK Community Design) 000685748-0002
	Mar. 9, 2007 (DK Community Design) 000685748-0003 --

Signed and Sealed this

Twenty-fifth Day of August, 2009



David J. Kappos
Director of the United States Patent and Trademark Office