



US00D595478S

(12) **United States Design Patent**
Colman et al.

(10) **Patent No.:** **US D595,478 S**

(45) **Date of Patent:** **** *Jul. 7, 2009**

(54) **DUAL COLORED CHEWING GUM**

(75) Inventors: **Arne Benjamin Colman**, Newark (GB);
Christopher Raymond Eagleton,
Prestwood (GB); **Marc Paul Lorenzi**,
Egham (GB); **Matthew John Masters**,
Ottershaw (GB)

D474,857 S * 5/2003 McLeish D28/8.1
D506,591 S * 6/2005 Lee D1/127
D535,741 S * 1/2007 Stawski et al. D24/101
D556,946 S * 12/2007 Seum et al. D28/8.1
D556,947 S * 12/2007 Seum et al. D28/8.1
D578,729 S * 10/2008 Lee et al. D1/127
D580,547 S * 11/2008 Lolis et al. D24/101

(73) Assignee: **The Procter & Gamble Company**,
Cincinnati, OH (US)

FOREIGN PATENT DOCUMENTS

(*) Notice: This patent is subject to a terminal disclaimer.

DE 0M9805618.0005 2/1999
DE 0M9805618.0006 2/1999

(**) Term: **14 Years**

(Continued)

(21) Appl. No.: **29/301,061**

OTHER PUBLICATIONS

(22) Filed: **Feb. 7, 2008**

<http://www.chiclemascaramelo.com/>.

(51) **LOC (9) Cl.** **01-01**

(52) **U.S. Cl.** **D1/125**

(58) **Field of Classification Search** D1/100-101,
D1/104, 106, 121, 125, 127-128, 199; D21/386;
D24/101, 104; D28/8.1; 426/76, 87, 103,
426/104, 122, 144, 660, 512, 515, 383
See application file for complete search history.

Primary Examiner—Cathron C Brooks

Assistant Examiner—Barbara Fox

(74) *Attorney, Agent, or Firm*—Cynthia L. Clay; Kelly L. McDow; Karen F. Clark

(57) **CLAIM**

The ornamental design for a dual colored chewing gum, as shown and described.

(56) **References Cited**

U.S. PATENT DOCUMENTS

D250,880 S * 1/1979 Stone et al. D9/707
D269,712 S * 7/1983 Tovey D24/101
D269,722 S * 7/1983 Tovey D24/101
D271,536 S * 11/1983 Siecke D1/127
D286,085 S * 10/1986 Tovey D24/101
D310,440 S * 9/1990 Puglisi et al. D1/127
D314,855 S * 2/1991 Puglisi et al. D1/127
D316,760 S * 5/1991 Golden et al. D28/4
D318,558 S * 7/1991 Piano D1/127
D365,875 S * 1/1996 Bradbury et al. D24/101
D405,879 S * 2/1999 Leonard D24/101
D437,671 S * 2/2001 Fajerstein D1/106
D444,914 S * 7/2001 Friesenhahn D28/8.1
D465,303 S * 11/2002 Friesenhahn D28/8.1
D468,861 S * 1/2003 Kosub D28/8.1

DESCRIPTION

FIG. 1 is a front perspective view of a dual colored chewing gum showing our new design;

FIG. 2 is a front elevational view thereof;

FIG. 3 is a rear elevational view thereof;

FIG. 4 is a left side elevational view thereof;

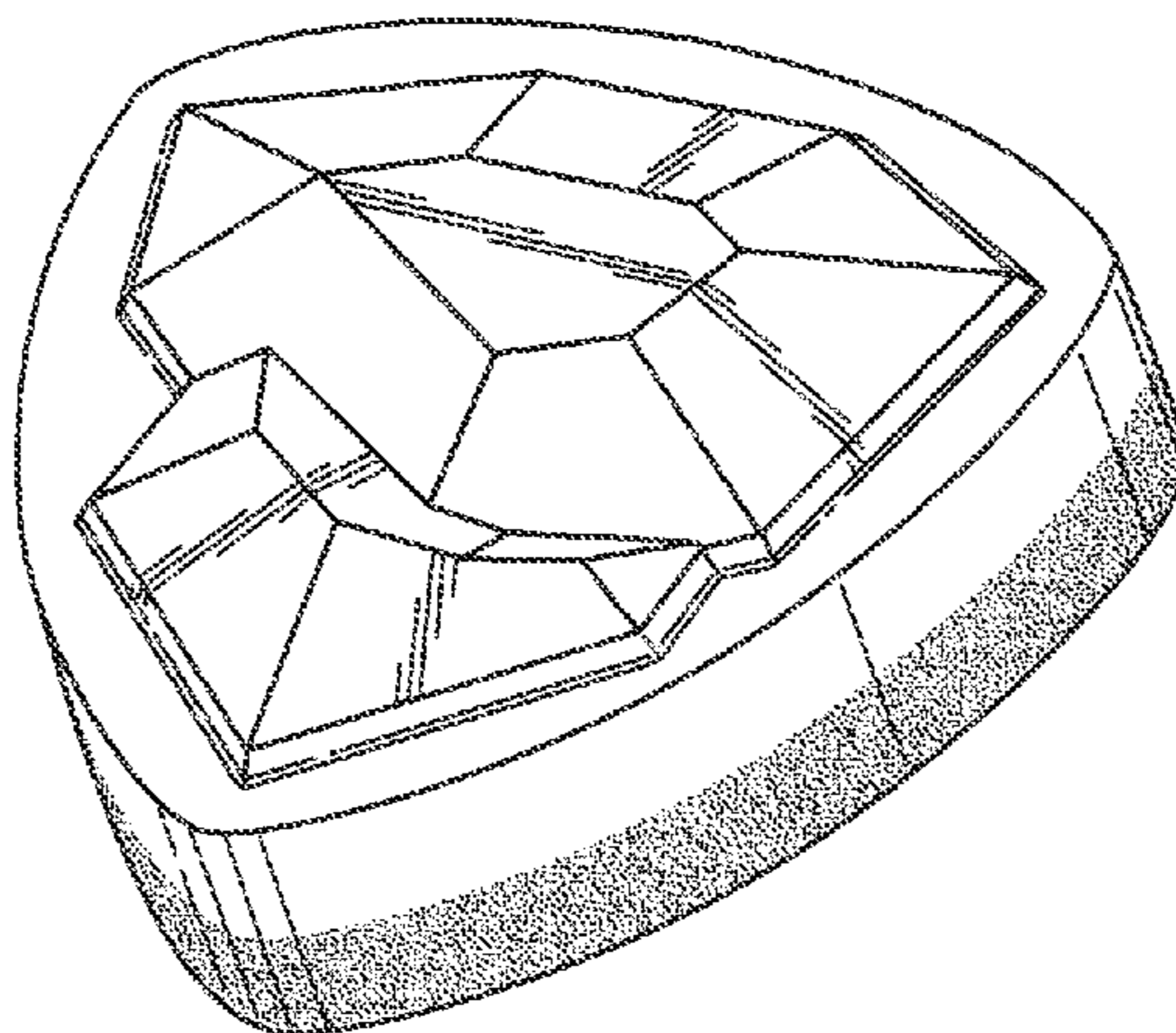
FIG. 5 is a right side elevational view thereof;

FIG. 6 is a top plan view thereof; and,

FIG. 7 is a bottom plan view thereof.

The stippled region represents a colored area although no specific color is claimed.

1 Claim, 2 Drawing Sheets



US D595,478 S

Page 2

FOREIGN PATENT DOCUMENTS					
			EM	000658927.0011	2/2007
			EM	000658927.0012	2/2007
			EM	000658927.0013	2/2007
			EM	000658927.0015	2/2007
			EM	000658927.0017	2/2007
			EM	000658927.0019	2/2007
			EM	000658927.0020	2/2007
			ES	000504914.0003	11/2007
			GB	002072288	5/1998
			GB	002097168	12/2000
			WO WO	00/0029732.0001	7/1994
			WO WO	00/0060271.0001	3/2002
			* cited by examiner		
DE	0M9805618.0008	2/1999			
DE	0M9805618.0009	2/1999			
EM	000421888.004	4/2005			
EM	000658297.0006	2/2007			
EM	000658927.0002	2/2007			
EM	000658927.0003	2/2007			
EM	000658927.0005	2/2007			
EM	000658927.0007	2/2007			
EM	000658927.0008	2/2007			
EM	000658927.0009	2/2007			
EM	000658927.0010	2/2007			

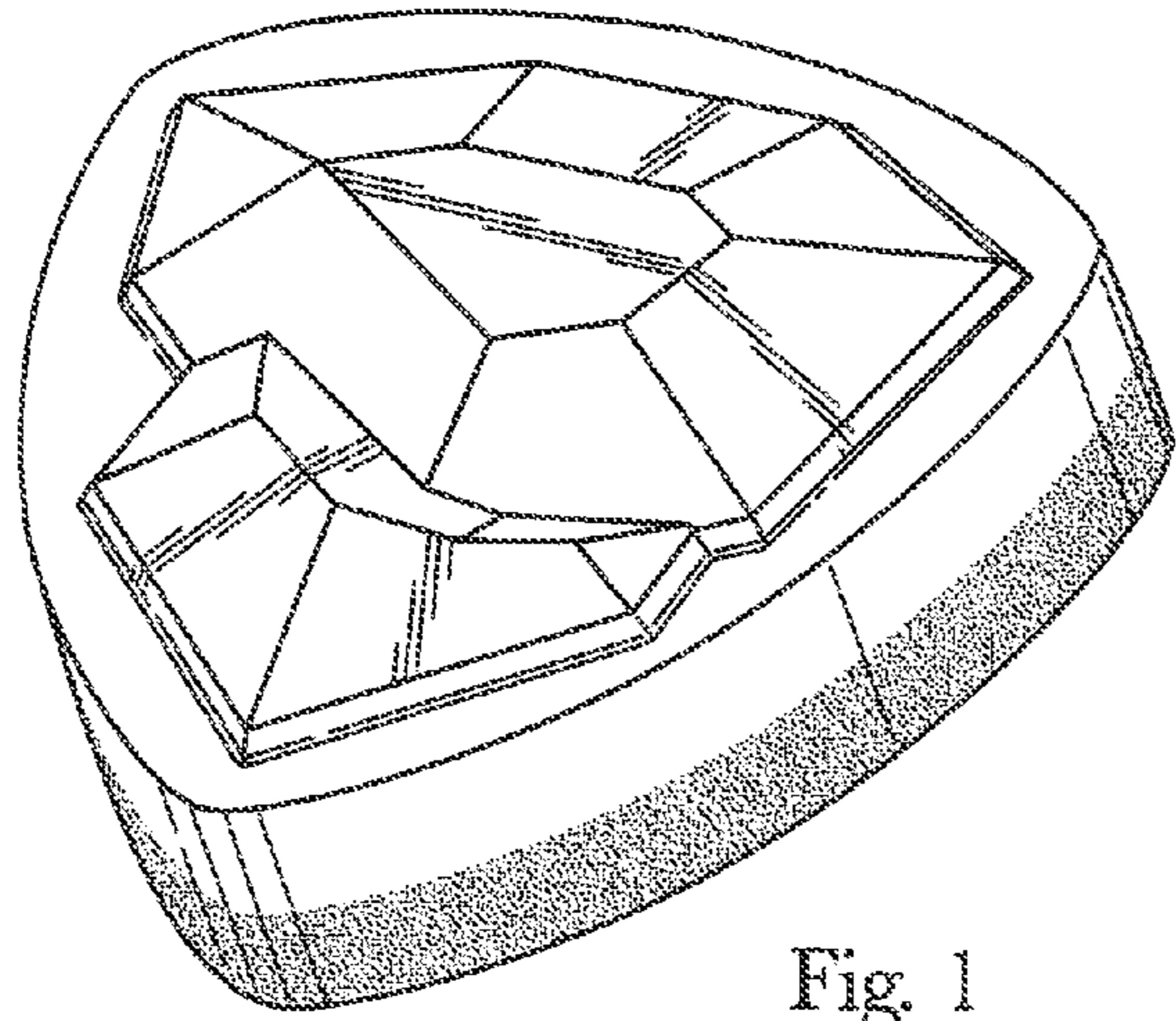


Fig. 1

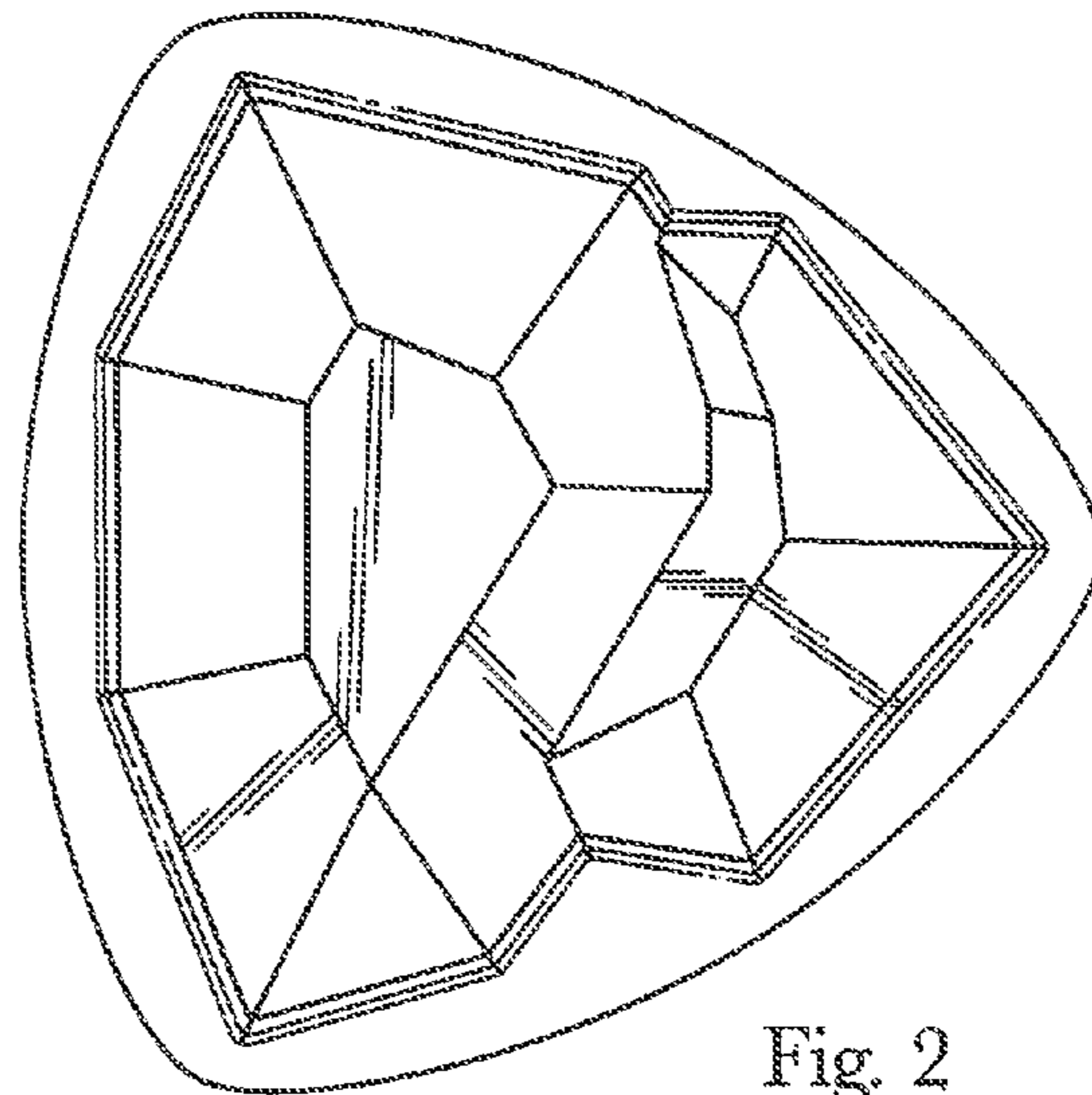


Fig. 2

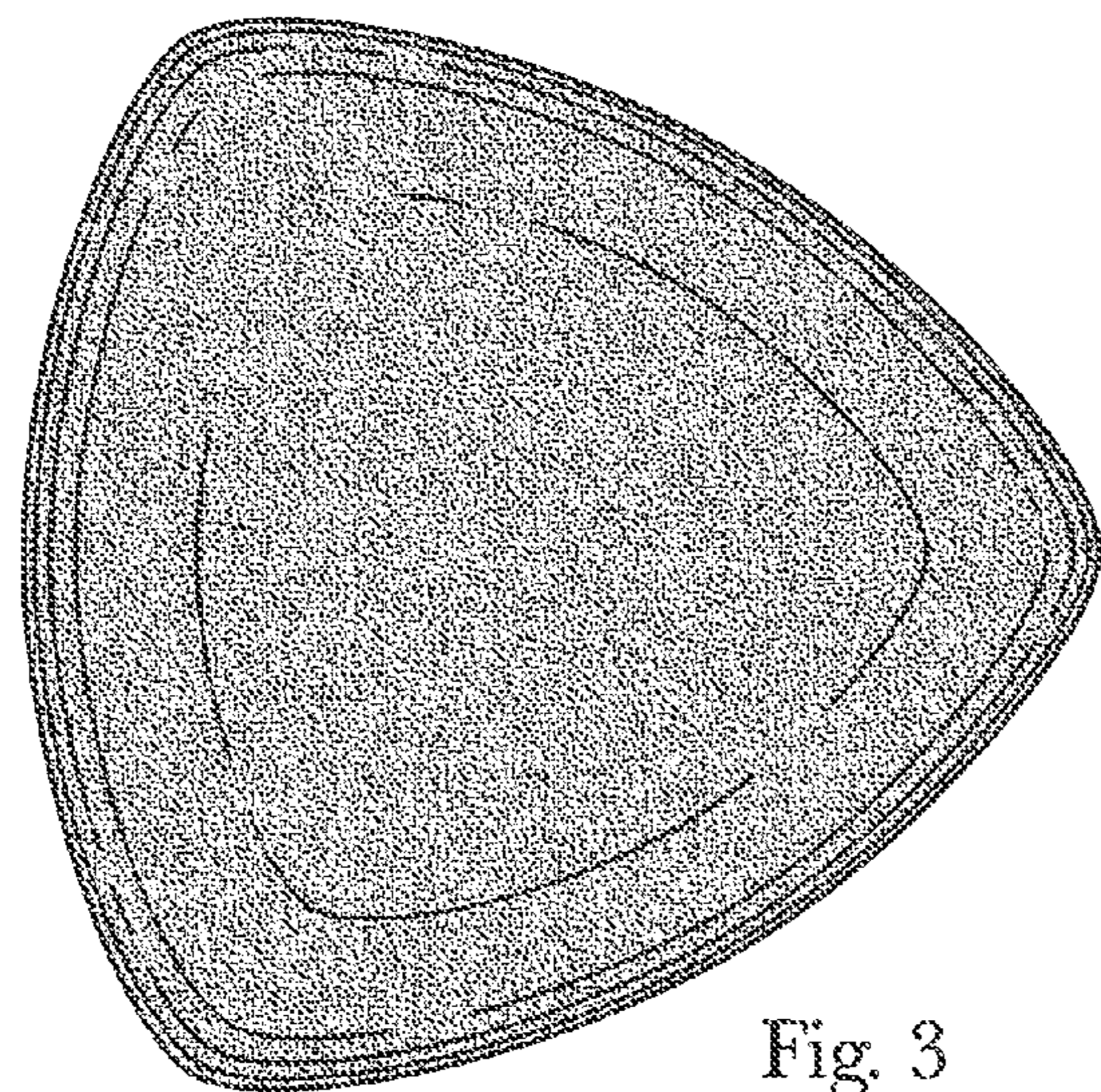


Fig. 3

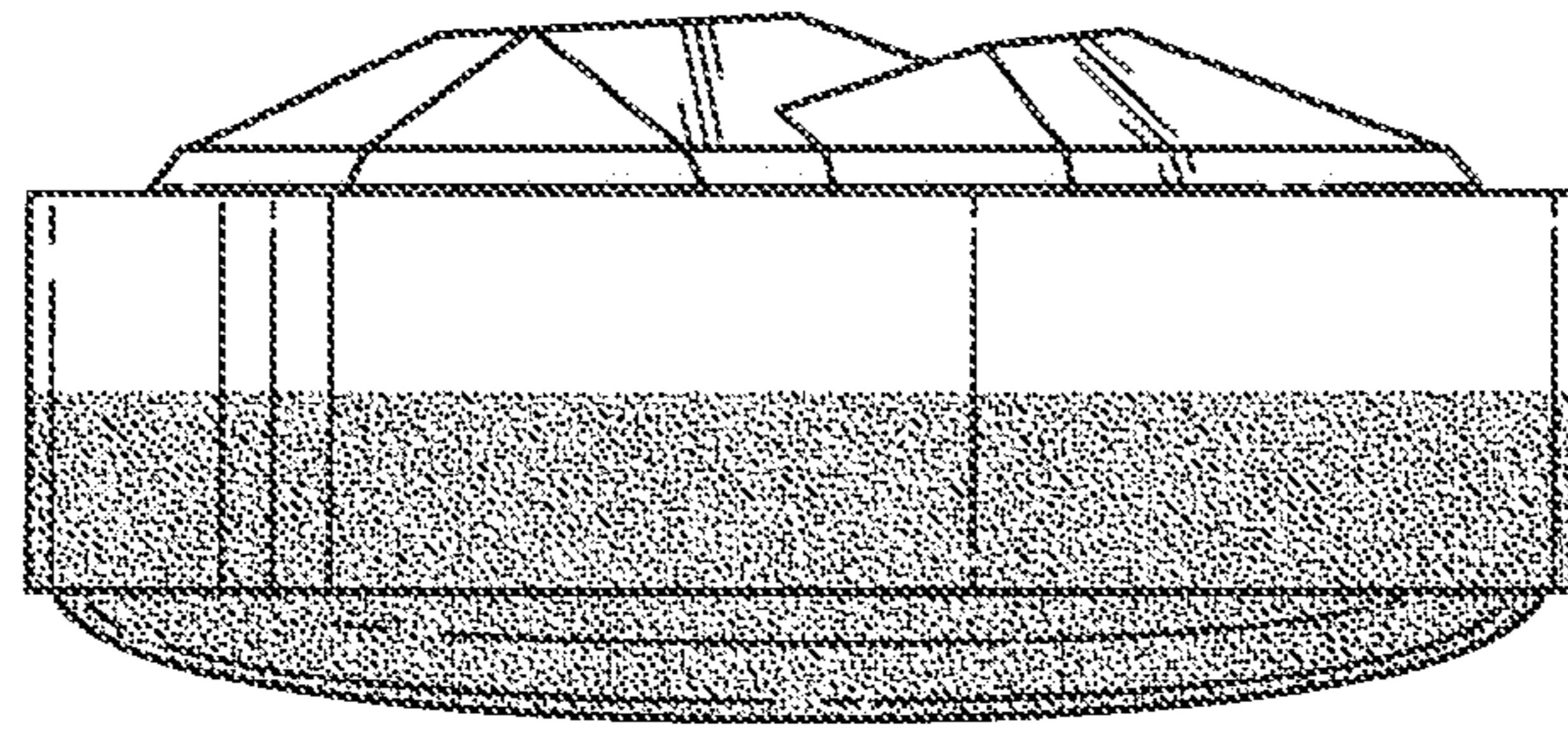


Fig. 4

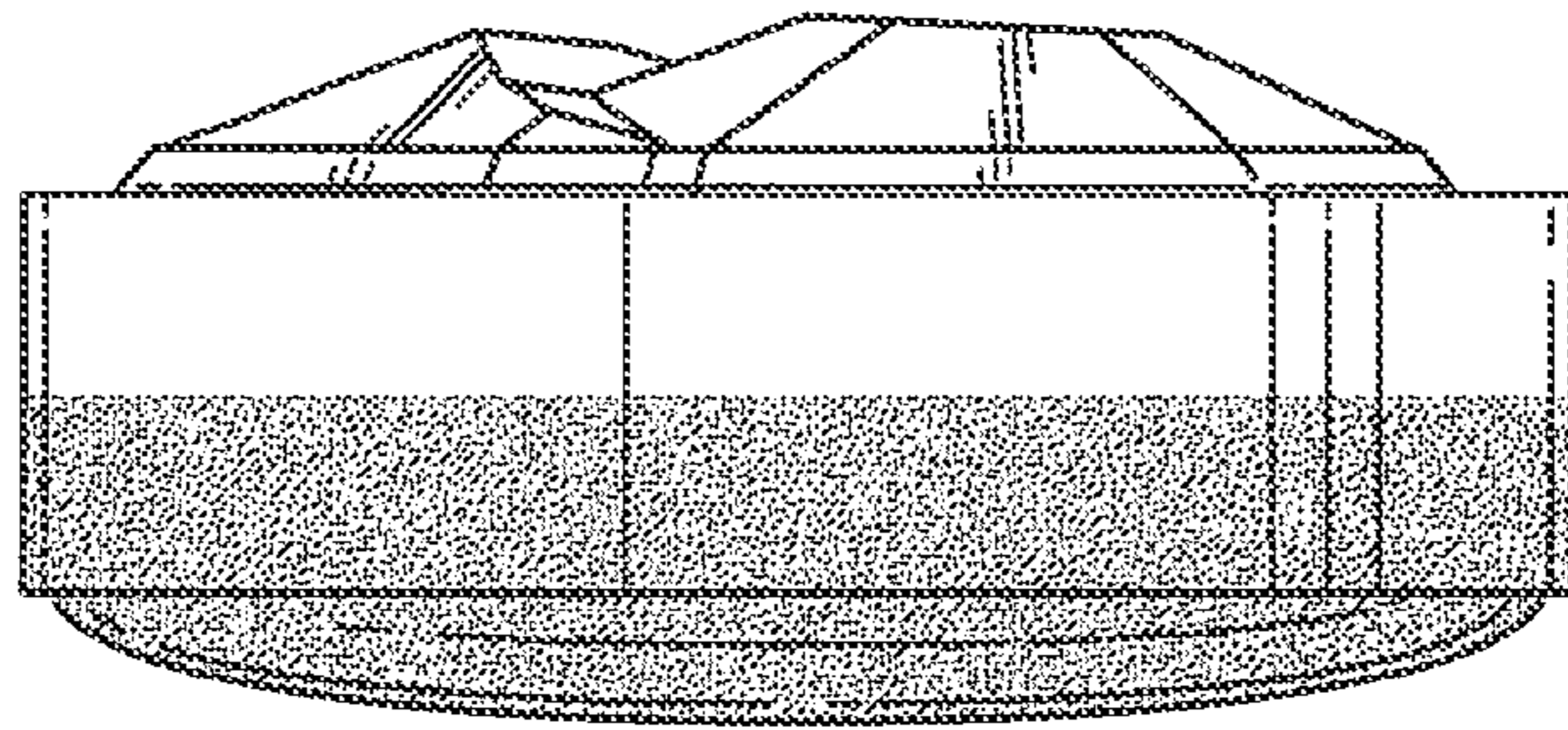


Fig. 5

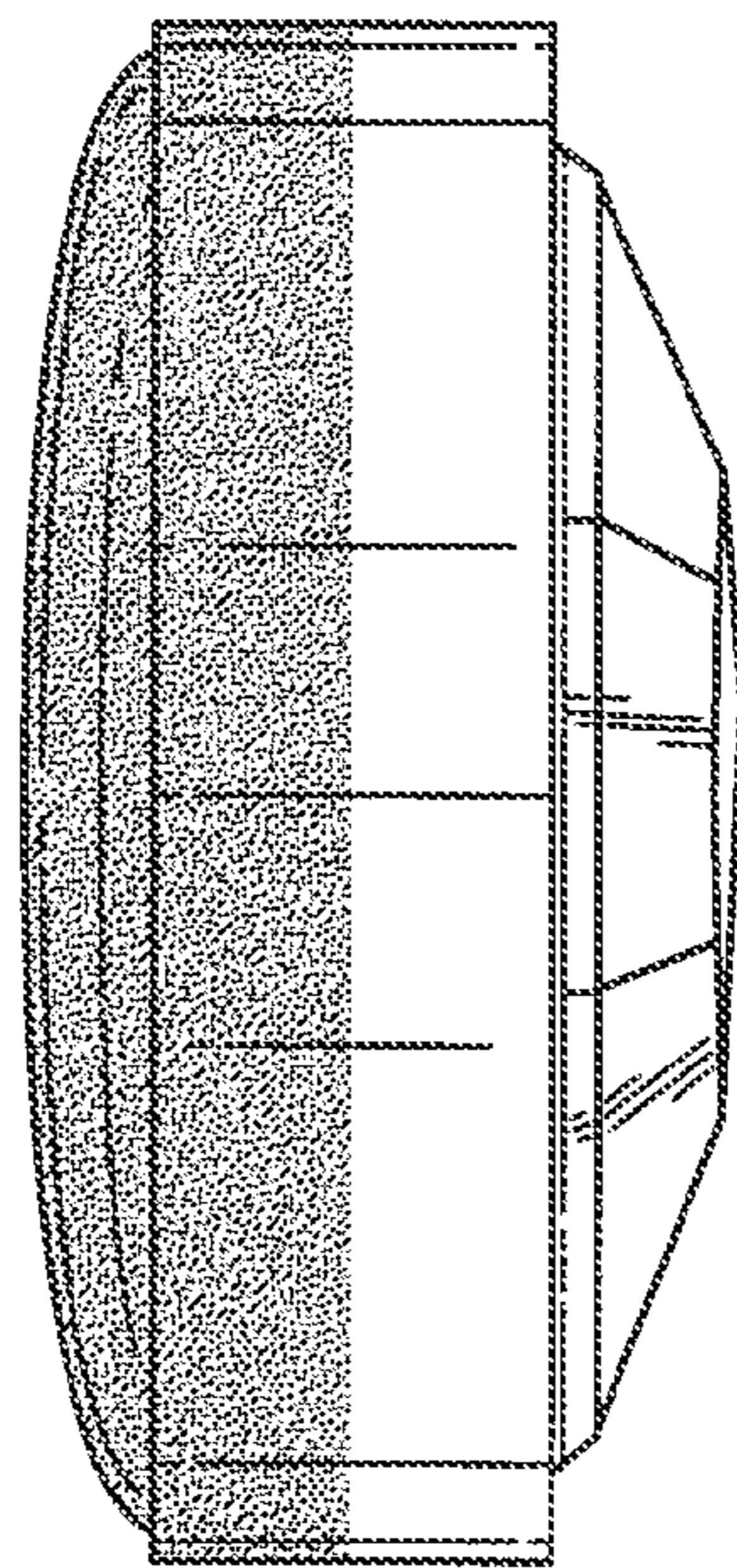


Fig. 6

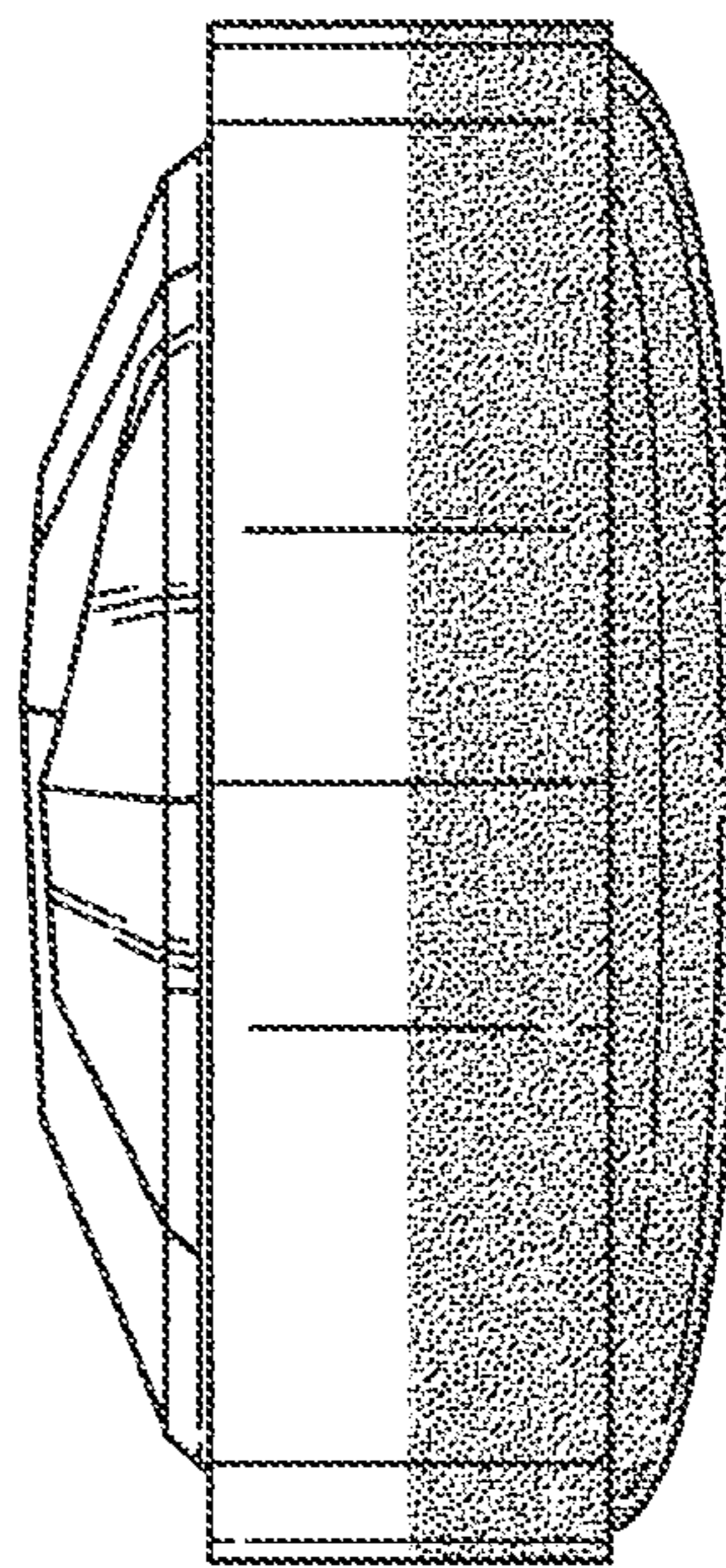


Fig. 7