



US00D595477S

(12) **United States Design Patent**
Loret et al.

(10) **Patent No.:** **US D595,477 S**
(45) **Date of Patent:** **** Jul. 7, 2009**

(54) **CONFECTIONERY TABLET**

(75) Inventors: **Chrystel Loret**, Lausanne (CH); **Oliver Breton**, Lausanne (CH)

(73) Assignee: **Societe des Produits Nestle S.A.**, Vevey (CH)

(**) Term: **14 Years**

(21) Appl. No.: **29/325,111**

(22) Filed: **Sep. 25, 2008**

(30) **Foreign Application Priority Data**

Apr. 14, 2008 (CH) 134876

(51) **LOC (9) Cl.** **01-01**

(52) **U.S. Cl.** **D1/121**

(58) **Field of Classification Search** D1/100,
D1/101, 121, 127, 128, 130, 199; D21/386;
D24/101, 104; D28/8.1; 426/76, 103, 122,
426/144, 660, 512, 515

See application file for complete search history.

(56) **References Cited**

U.S. PATENT DOCUMENTS

D52,246 S * 7/1918 Stollwerck D1/121
2,935,152 A * 5/1960 MacCaferri 181/290

6,782,670 B2 * 8/2004 Wendt 52/506.07
D499,228 S * 12/2004 Malina et al. D1/127
D512,787 S * 12/2005 Lonneman D25/138
D526,112 S * 8/2006 Martin et al. D1/127
D565,827 S * 4/2008 Brooking et al. D1/127

* cited by examiner

Primary Examiner—Cathron C Brooks

Assistant Examiner—Barbara Fox

(74) *Attorney, Agent, or Firm*—K&L Gates LLP

(57) **CLAIM**

The ornamental design for a confectionery tablet, as shown and described.

DESCRIPTION

FIG. 1 illustrates a top left side perspective view of the confectionery tablet;

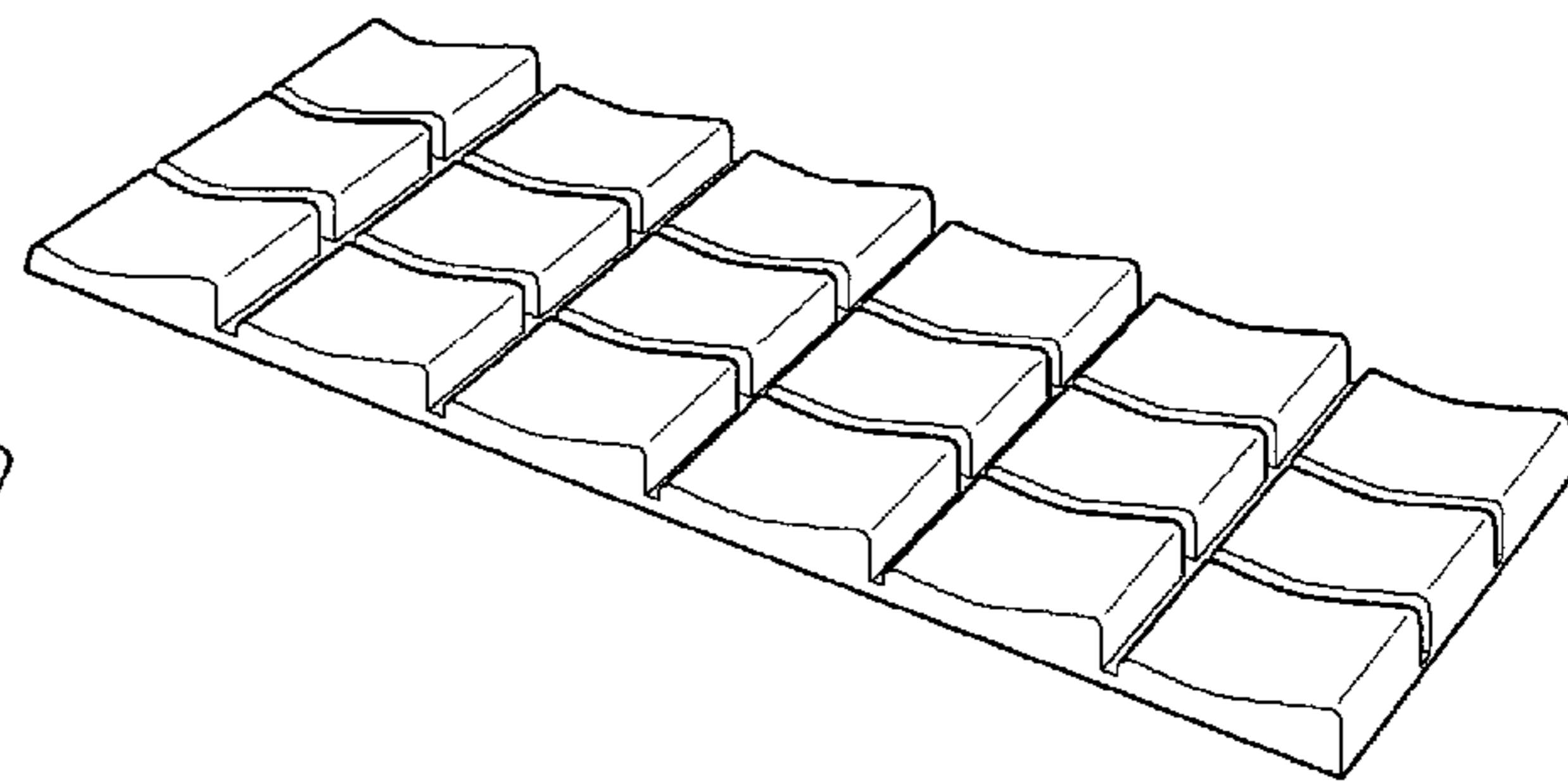
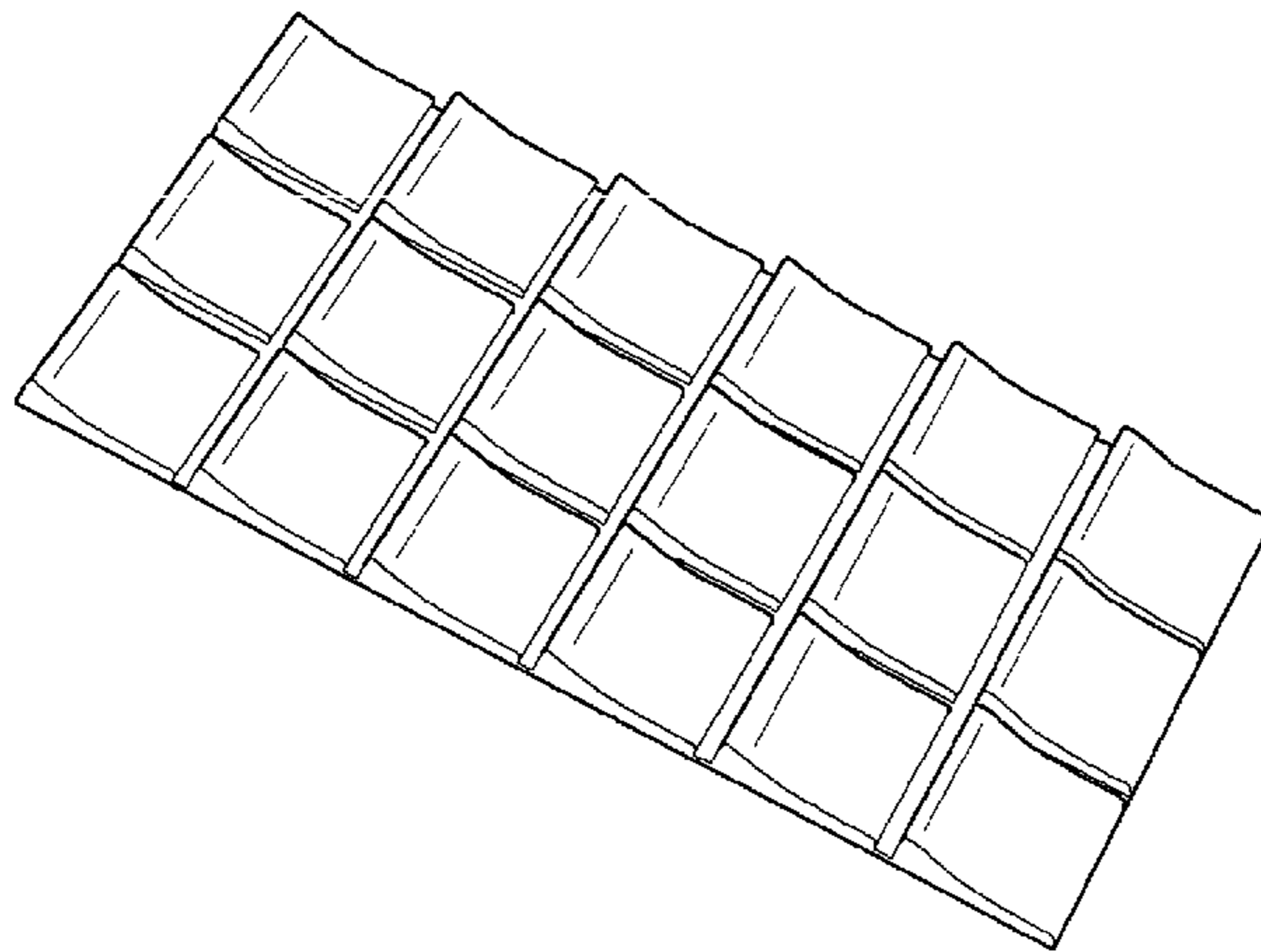
FIG. 2 illustrates a rear right side perspective view of the confectionery tablet of FIG. 1;

FIG. 3 illustrates a front left side perspective view of the confectionery tablet of FIG. 1; and,

FIG. 4 illustrates a top right side perspective view of the confectionery tablet of FIG. 1.

The bottom side of the confectionery tablet is flat and is devoid of surface ornamentation.

1 Claim, 2 Drawing Sheets



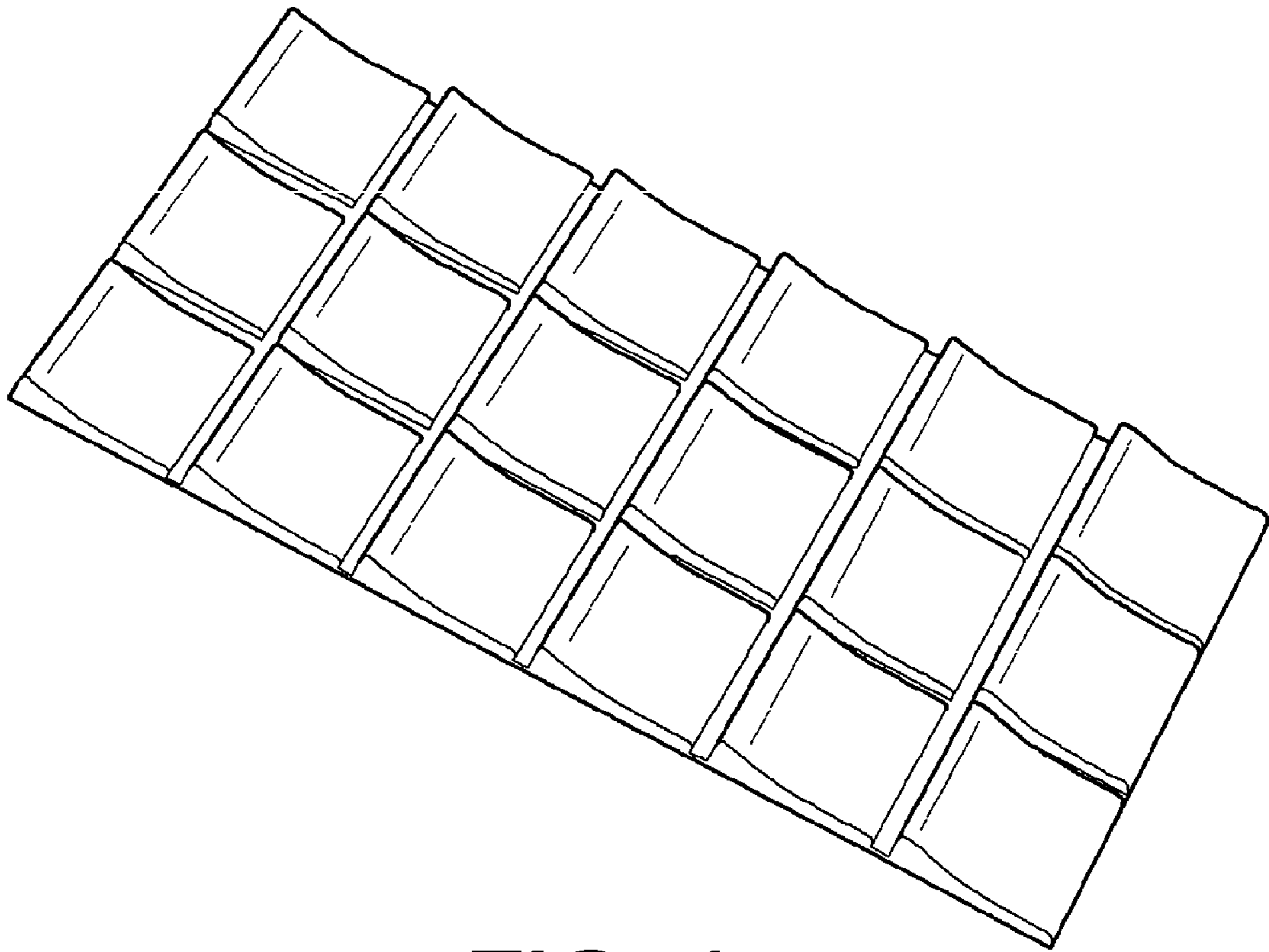


FIG. 1

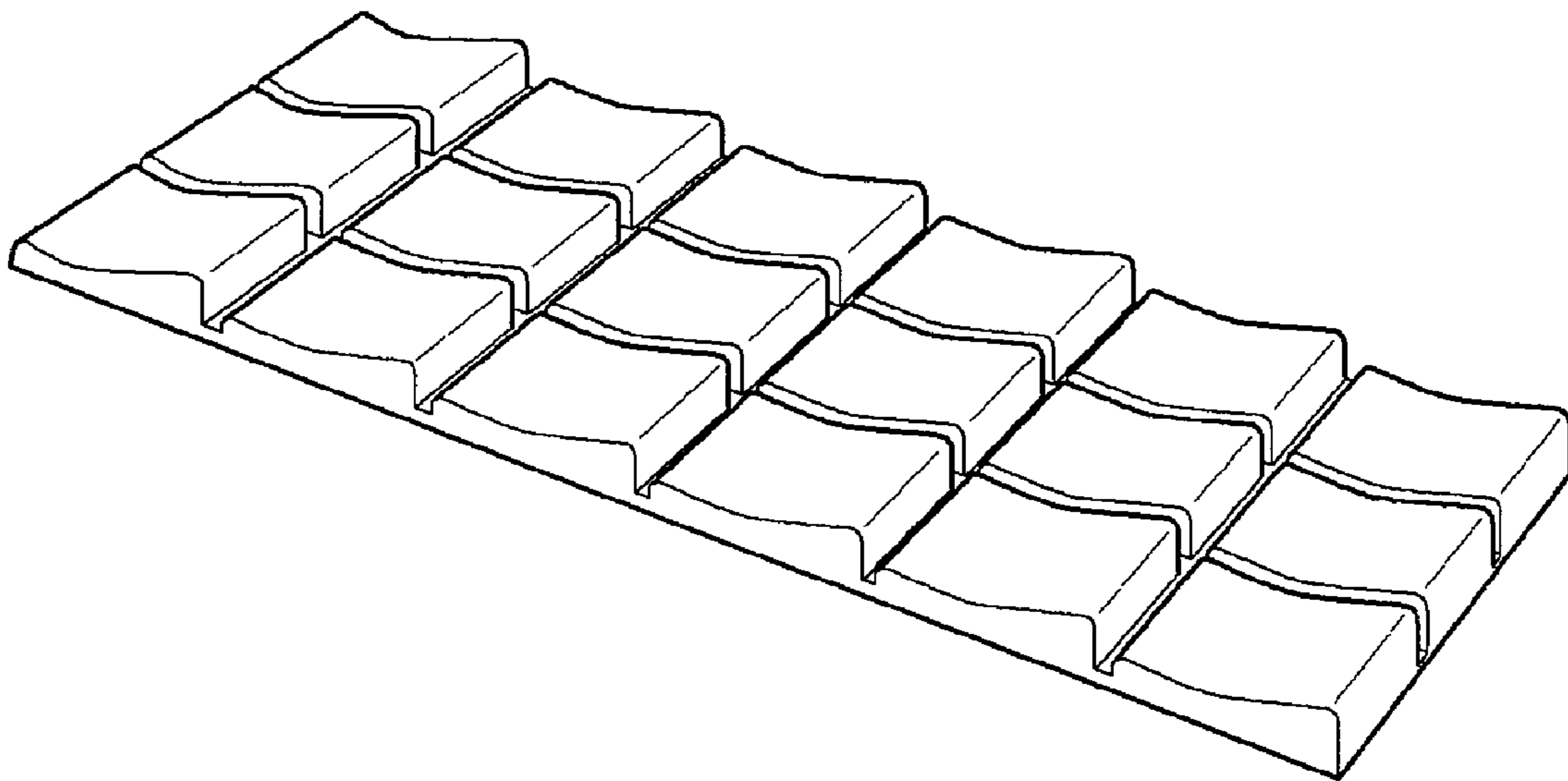


FIG. 2

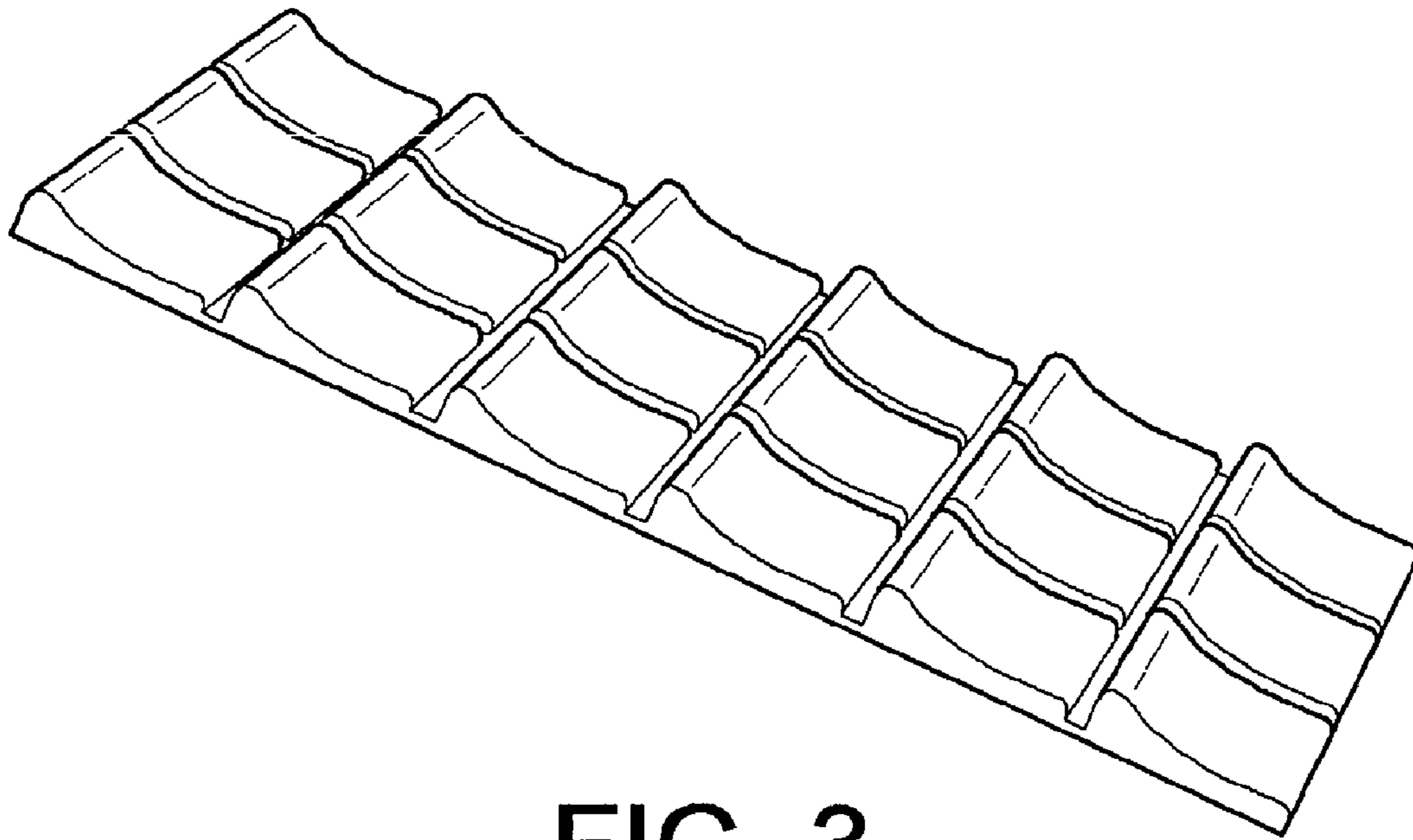


FIG. 3

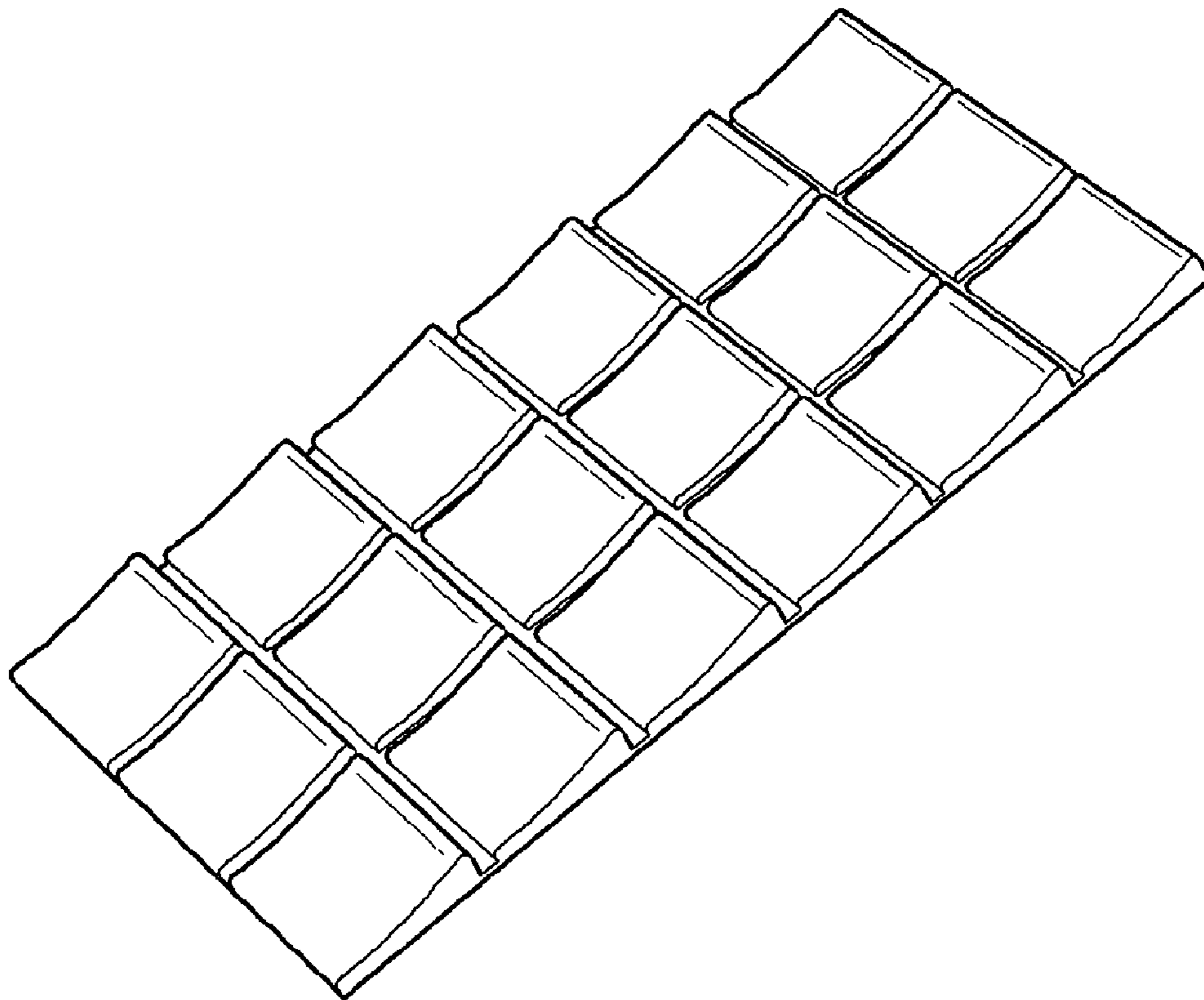


FIG. 4