



US00D595475S

(12) **United States Design Patent**
Rickards

(10) **Patent No.:** **US D595,475 S**
(45) **Date of Patent:** **** Jun. 30, 2009**

(54) **FLOWER HOLDER AND INTEGRATED
CRYPT COVER FASTENING ROSETTE**

(76) Inventor: **John W Rickards**, 3452 Hancock St.,
San Diego, CA (US) 92110

(**) Term: **14 Years**

(21) Appl. No.: **29/325,308**

(22) Filed: **Sep. 29, 2008**

Related U.S. Application Data

(62) Division of application No. 29/259,840, filed on May
15, 2006, now Pat. No. Des. 579,173.

(51) **LOC (9) Cl.** **99-00**

(52) **U.S. Cl.** **D99/19**

(58) **Field of Classification Search** D11/117,
D11/143, 144, 145, 146, 155; D99/17, 18,
D99/19, 20, 21, 22, 23, 25, 26, 27; D20/42,
D20/43; 47/39, 41.01, 41.11; 248/315; 206/45.25,
206/423, 769

See application file for complete search history.

(56) **References Cited**

U.S. PATENT DOCUMENTS

D74,944	S	*	4/1928	Pierce	D6/556
D140,082	S	*	1/1945	Hathaway	D6/556
2,451,550	A	*	10/1948	Haller	248/315
D156,471	S	*	12/1949	Winchester	D11/146
D168,295	S	*	12/1952	Frenz	D11/143
D183,703	S	*	10/1958	O’Kane	D6/557
2,903,823	A	*	9/1959	Westford	47/47
D195,617	S	*	7/1963	Eger	D23/302
D214,171	S	*	5/1969	Troutman	D11/146
D259,338	S	*	5/1981	Tolbert, II	D11/133

D303,054	S	*	8/1989	Mendenhall	D6/553
D304,701	S	*	11/1989	Kleinberg	D11/146
D306,614	S	*	3/1990	Kodner et al.	D20/42
D345,052	S	*	3/1994	Stokke et al.	D3/228
D365,301	S	*	12/1995	McConnell et al.	D11/144
D376,558	S	*	12/1996	Elsea	D11/143
5,934,016	A	*	8/1999	Jones	47/41.01
D444,734	S	*	7/2001	Penney	D11/153
D446,472	S	*	8/2001	Davenport	D11/153
D447,084	S	*	8/2001	Markley	D11/148
6,513,284	B1	*	2/2003	Sandlin	47/66.6
D503,842	S	*	4/2005	Barnes	D99/18
D574,117	S	*	7/2008	McGregory	D32/52
D577,312	S	*	9/2008	Kahan	D11/149
D579,173	S	*	10/2008	Rickards	D99/17
2008/0120902	A1	*	5/2008	Laycock	47/39

* cited by examiner

Primary Examiner—T. Chase Nelson

Assistant Examiner—Michael A Pratt

(74) *Attorney, Agent, or Firm*—Charmasson, Buchaca &
Leach, LLP

(57) **CLAIM**

The ornamental design for a flower holder and integrated
crypt cover fastening rosette, as shown and described.

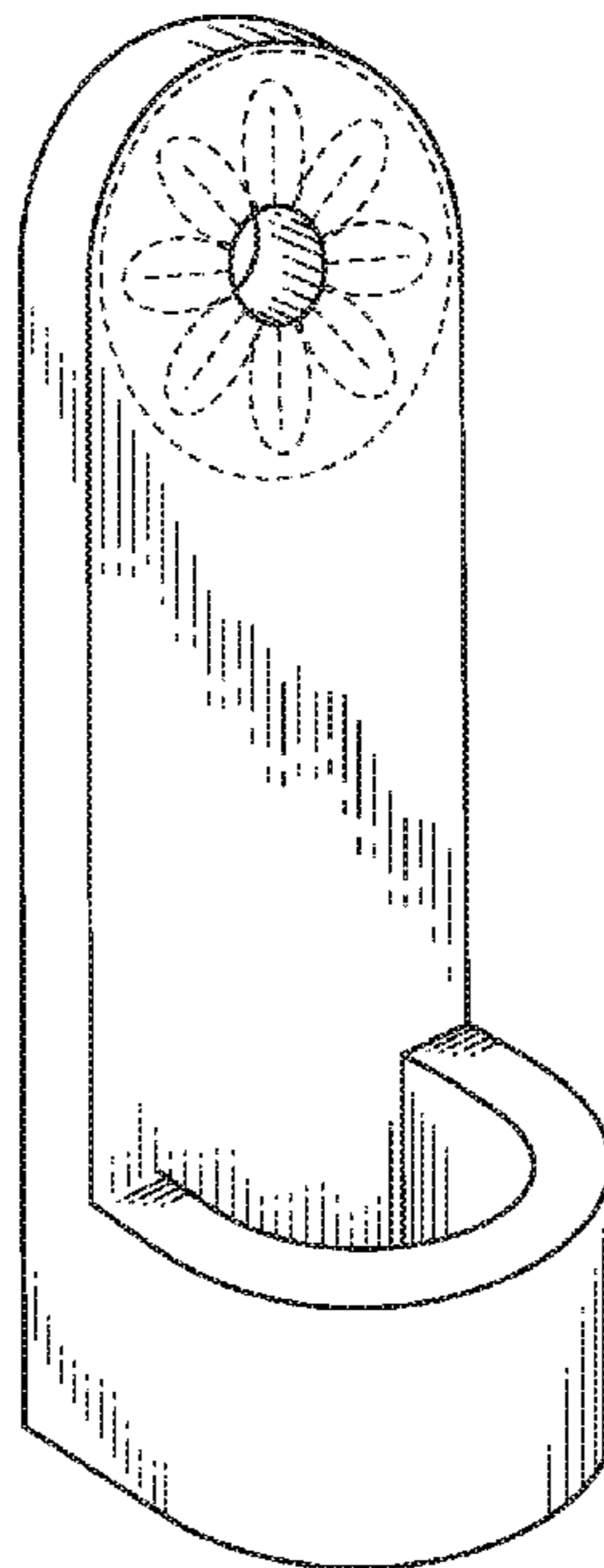
DESCRIPTION

FIG. 1 is a top, front, right side perspective view of a flower
holder and integrated crypt cover fastening rosette showing
my new design; and,

FIG. 2 is a bottom, back, left side perspective view thereof.

The broken line showing of a rosette is included for the
purpose of illustrating environment and forms no part of the
claimed design.

1 Claim, 2 Drawing Sheets



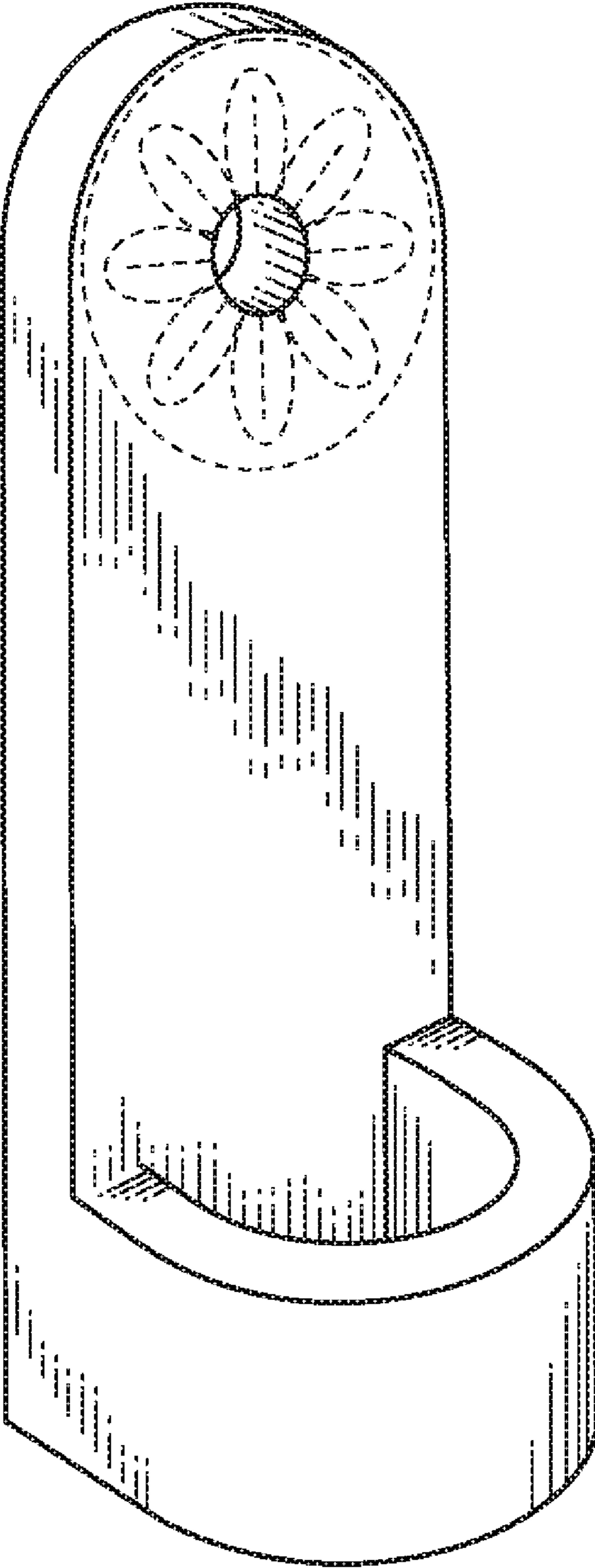


FIG. 1

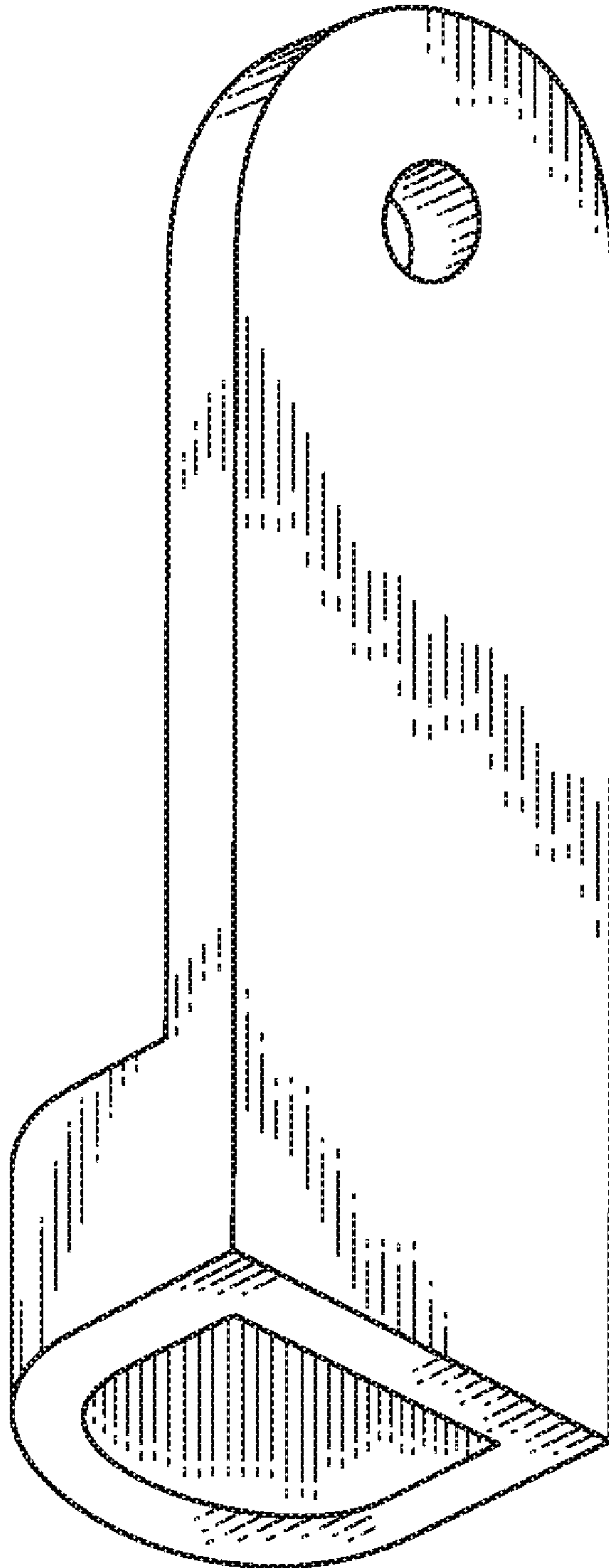


FIG. 2