



US00D595472S

(12) **United States Design Patent**  
**Kimura**

(10) **Patent No.:** **US D595,472 S**  
(45) **Date of Patent:** **\*\* Jun. 30, 2009**

(54) **MACHINE TO PRY OPEN BUILDING DOOR**

(75) Inventor: **Kiyoshi Kimura**, Ebina (JP)

(73) Assignee: **Kabushiki Kaisha Ogura** (JP)

(\*\*) Term: **14 Years**

(21) Appl. No.: **29/310,064**

(22) Filed: **Jul. 24, 2008**

(30) **Foreign Application Priority Data**

Jan. 30, 2008 (JP) ..... 2008-001824

(51) **LOC (9) Cl.** ..... **12-05**

(52) **U.S. Cl.** ..... **D34/31**

(58) **Field of Classification Search** ..... D34/31,  
D34/28, 35; 254/93 H, 93 R, 8 B

See application file for complete search history.

(56) **References Cited**

**U.S. PATENT DOCUMENTS**

- 2,412,414 A \* 12/1946 Mueller ..... 254/93 H
- 3,081,066 A \* 3/1963 Murawski ..... 254/93 R
- 4,174,095 A \* 11/1979 Chipman ..... 254/93 H
- 5,048,795 A \* 9/1991 Vitale ..... 254/93 R
- D345,844 S \* 4/1994 Steele ..... D34/31
- D357,786 S \* 4/1995 Nichols ..... D34/31
- D362,530 S \* 9/1995 Rosenkranz ..... D34/28
- 5,524,868 A \* 6/1996 Decker et al. .... 254/93 H
- D396,926 S \* 8/1998 Underhill et al. .... D34/31
- 7,082,662 B2 \* 8/2006 Gauntt et al. .... 29/402.08
- 7,100,897 B2 \* 9/2006 Ha ..... 254/93 R
- D537,604 S \* 2/2007 Redman ..... D34/31
- D569,574 S \* 5/2008 Turner ..... D34/31
- 2008/0164449 A1 \* 7/2008 Gray et al. .... 254/93 R
- 2008/0251676 A1 \* 10/2008 Hernandez ..... 248/354.6

2009/0057636 A1\* 3/2009 Davis et al. .... 254/89 H

**OTHER PUBLICATIONS**

Holmatro, "Toe-Jack"(TJ 3610), Holmatro Rescue Equipment Catalog, 3 pages (cover, 14, back), available before Jul. 22, 2008.

Hurst, "Model 362R273 JL-8 Jack Rabbit Tool" and "Model 362R266 Rabbit Forcible Entry Tool," Jaws of Life—2004/05 Hurst® Product Catalog, 4 pages (cover, 1, 2, and 26).

\* cited by examiner

*Primary Examiner*—Cynthia E Ramirez

(74) *Attorney, Agent, or Firm*—Leydig, Voit & Mayer, Ltd.

(57) **CLAIM**

The ornamental design for a machine to pry open building door, as shown and described.

**DESCRIPTION**

FIG. 1 is a perspective view showing my new design;

FIG. 2 is a front elevational view thereof;

FIG. 3 is a rear elevational view thereof;

FIG. 4 is a top plan view thereof;

FIG. 5 is a bottom plan view thereof;

FIG. 6 is a right side elevational view thereof;

FIG. 7 is a left side elevational view thereof;

FIG. 8 is a cross-sectional view thereof taken through line A—A of FIG. 9;

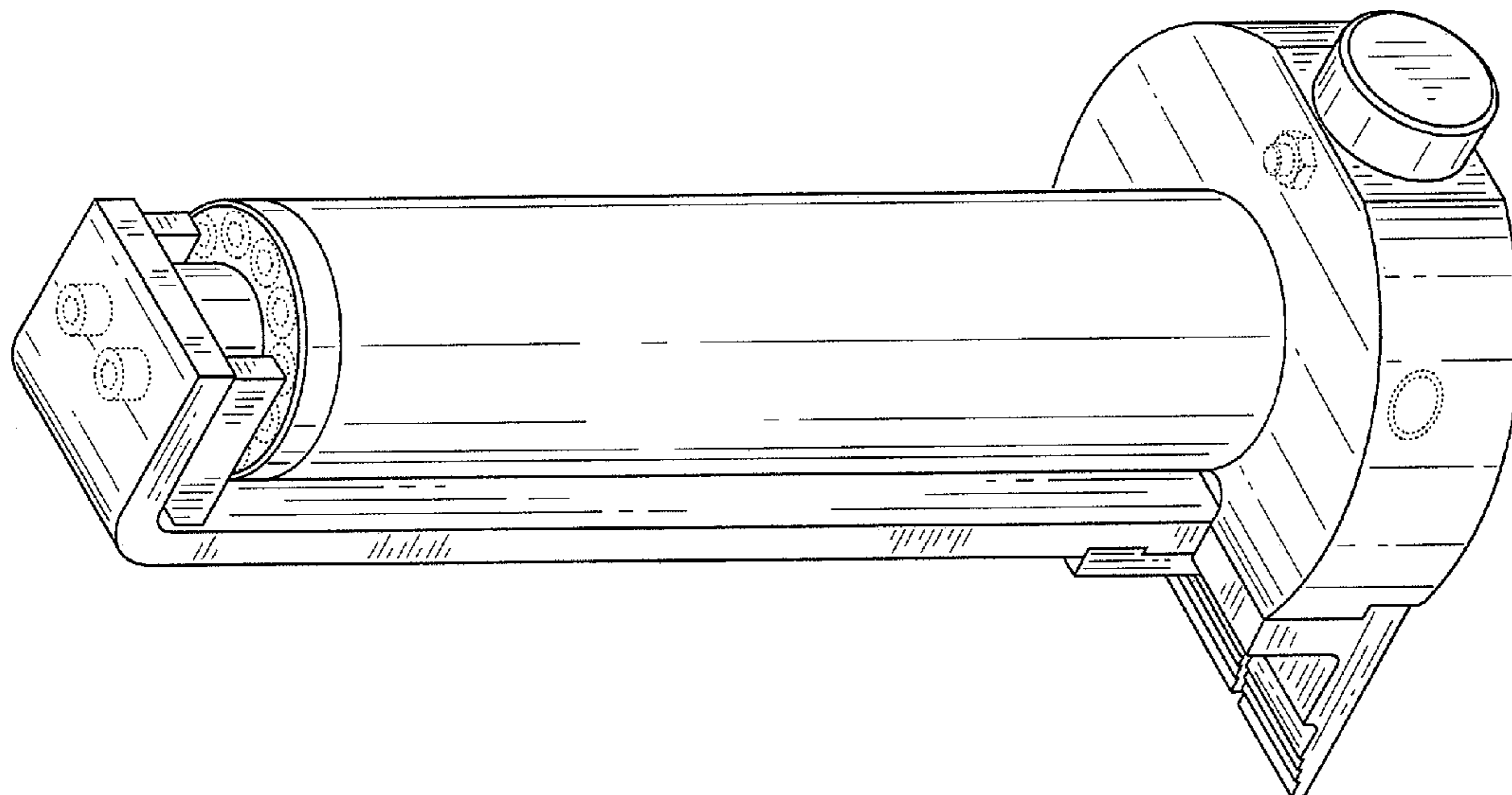
FIG. 9 is a front view showing the spreading parts opened;

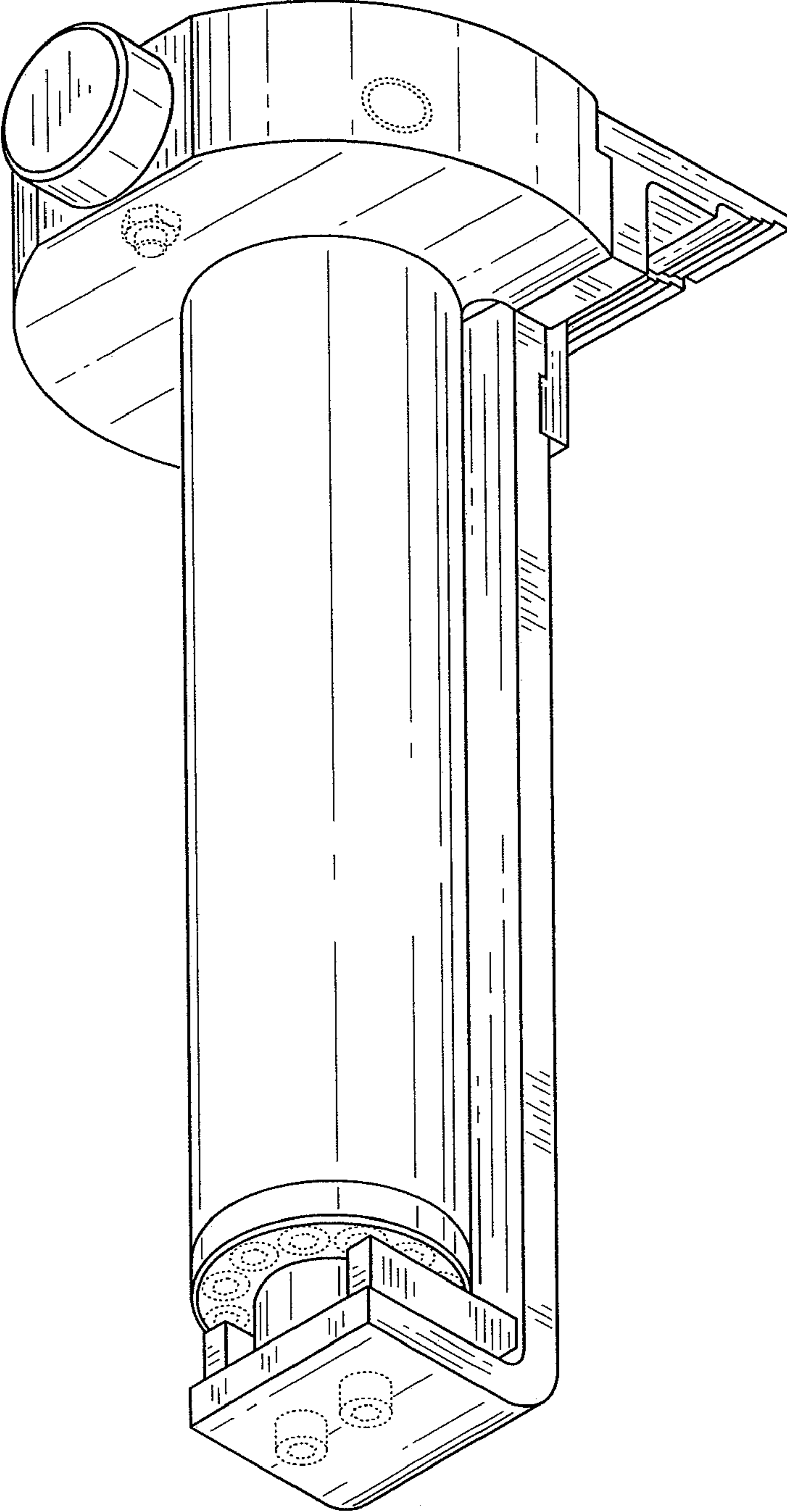
FIG. 10 is a bottom plan view showing the spreading parts opened; and,

FIG. 11 is a reference view showing the hose connected and the spreading parts open.

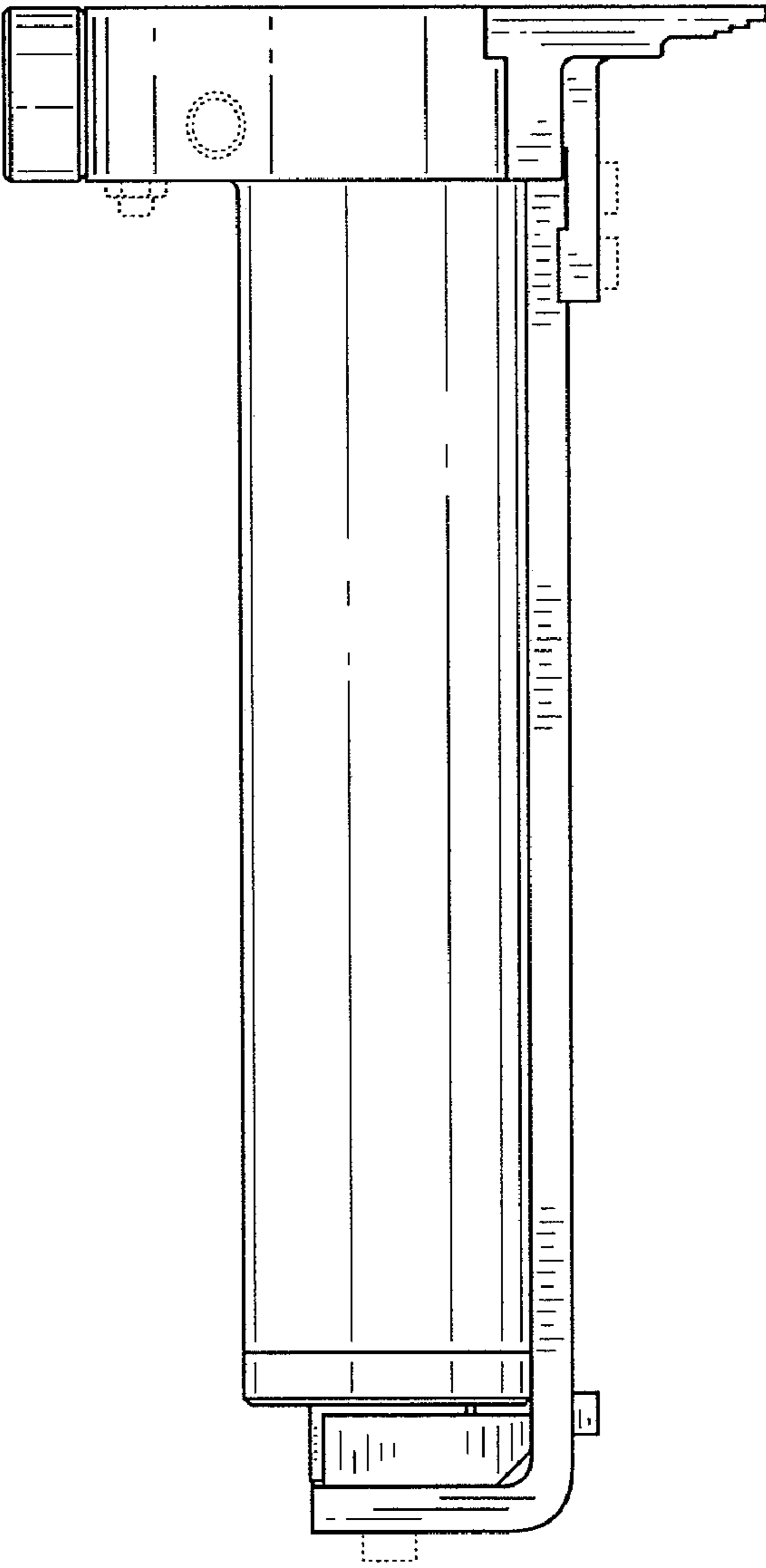
The broken lines are for illustration purposes only and form no part of the claimed design.

**1 Claim, 9 Drawing Sheets**

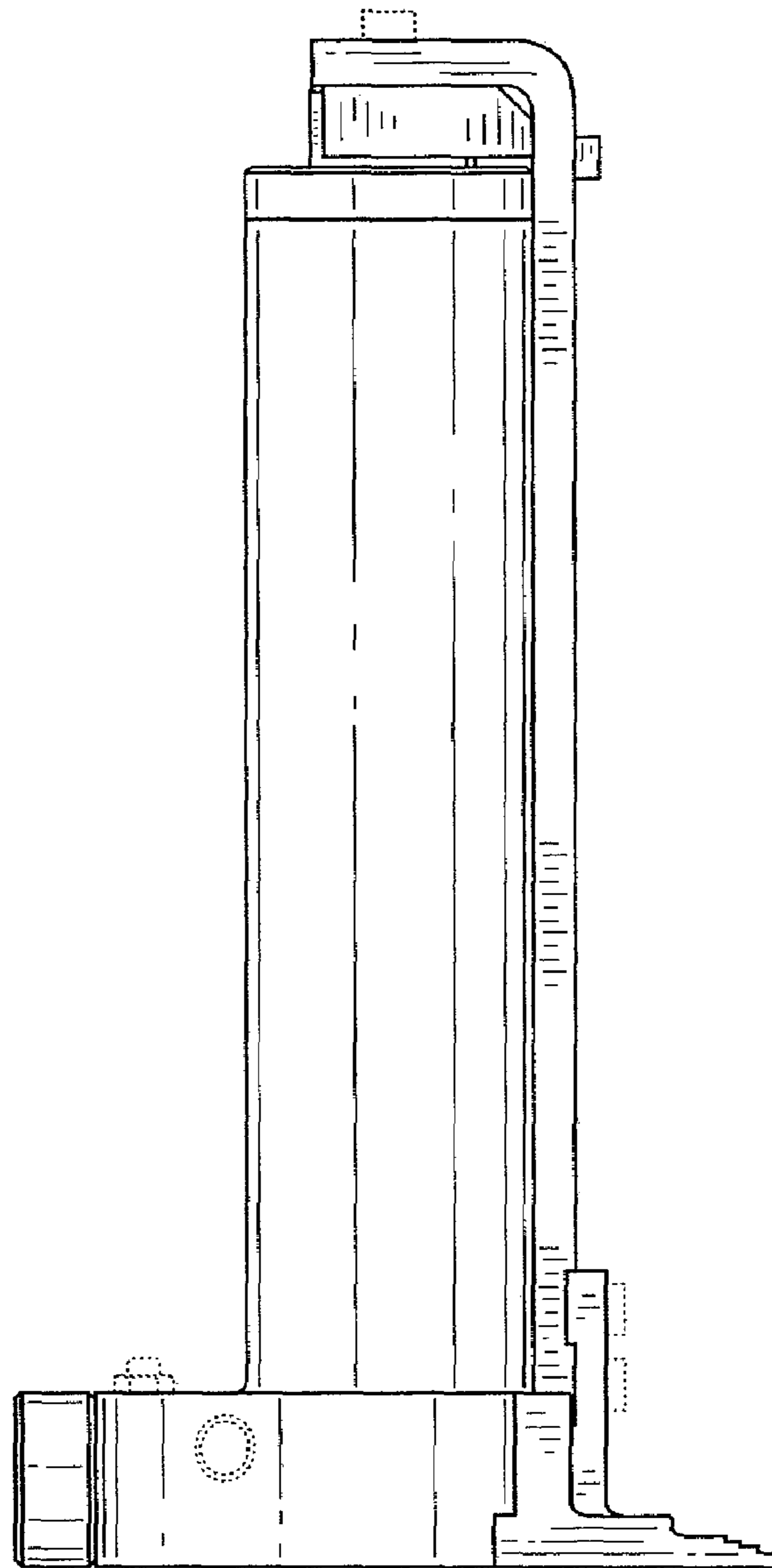




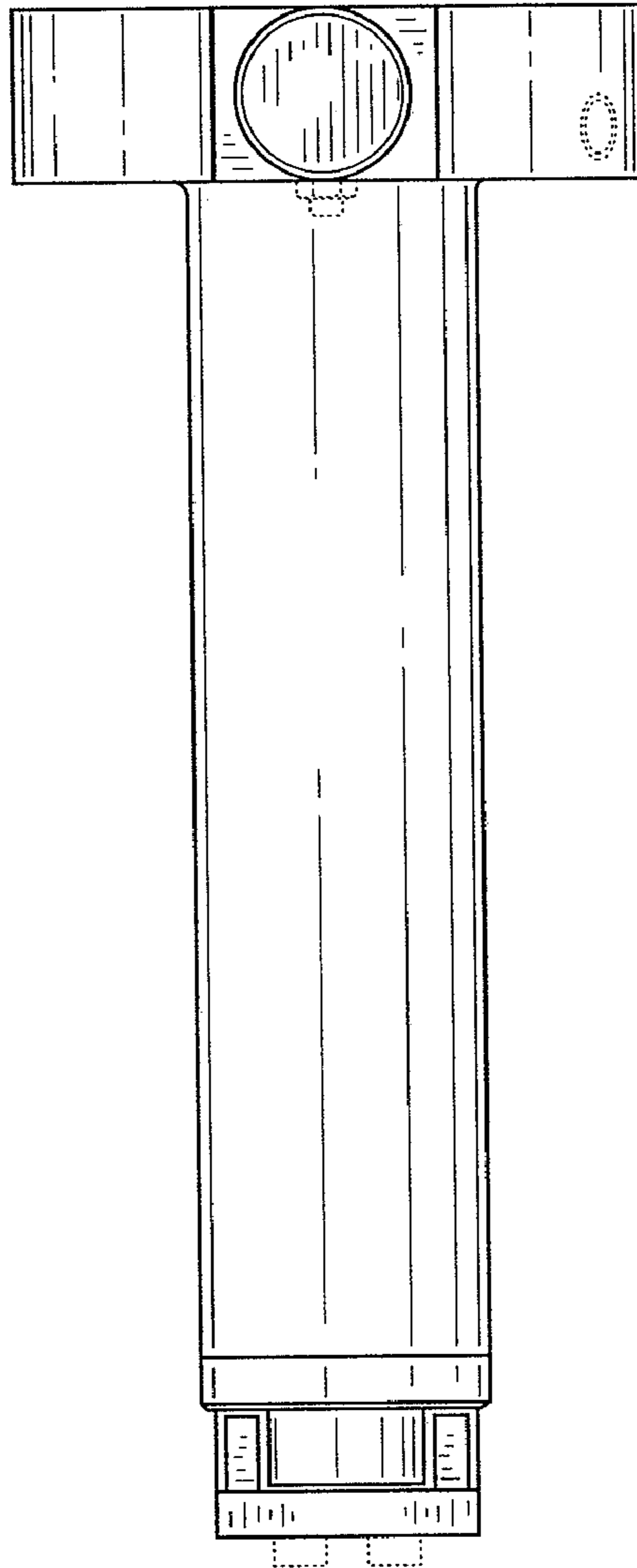
**FIG. 1**



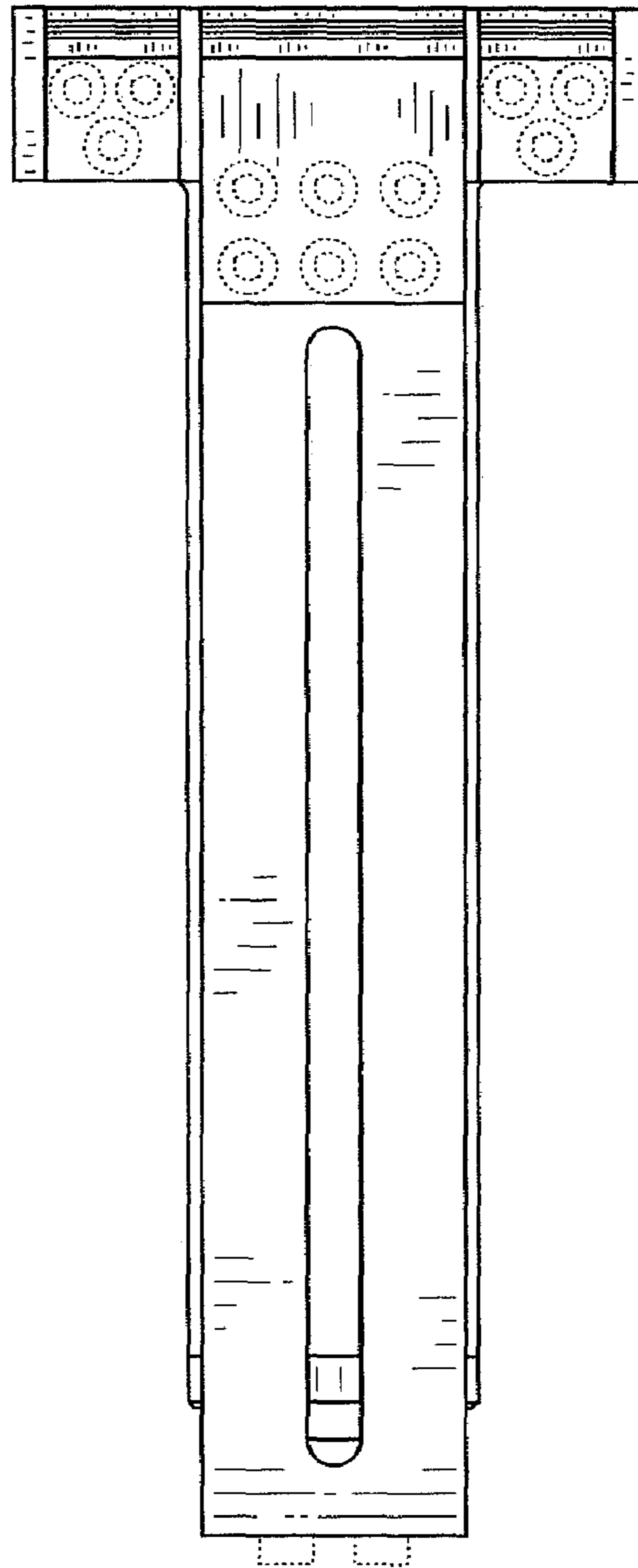
**FIG. 2**



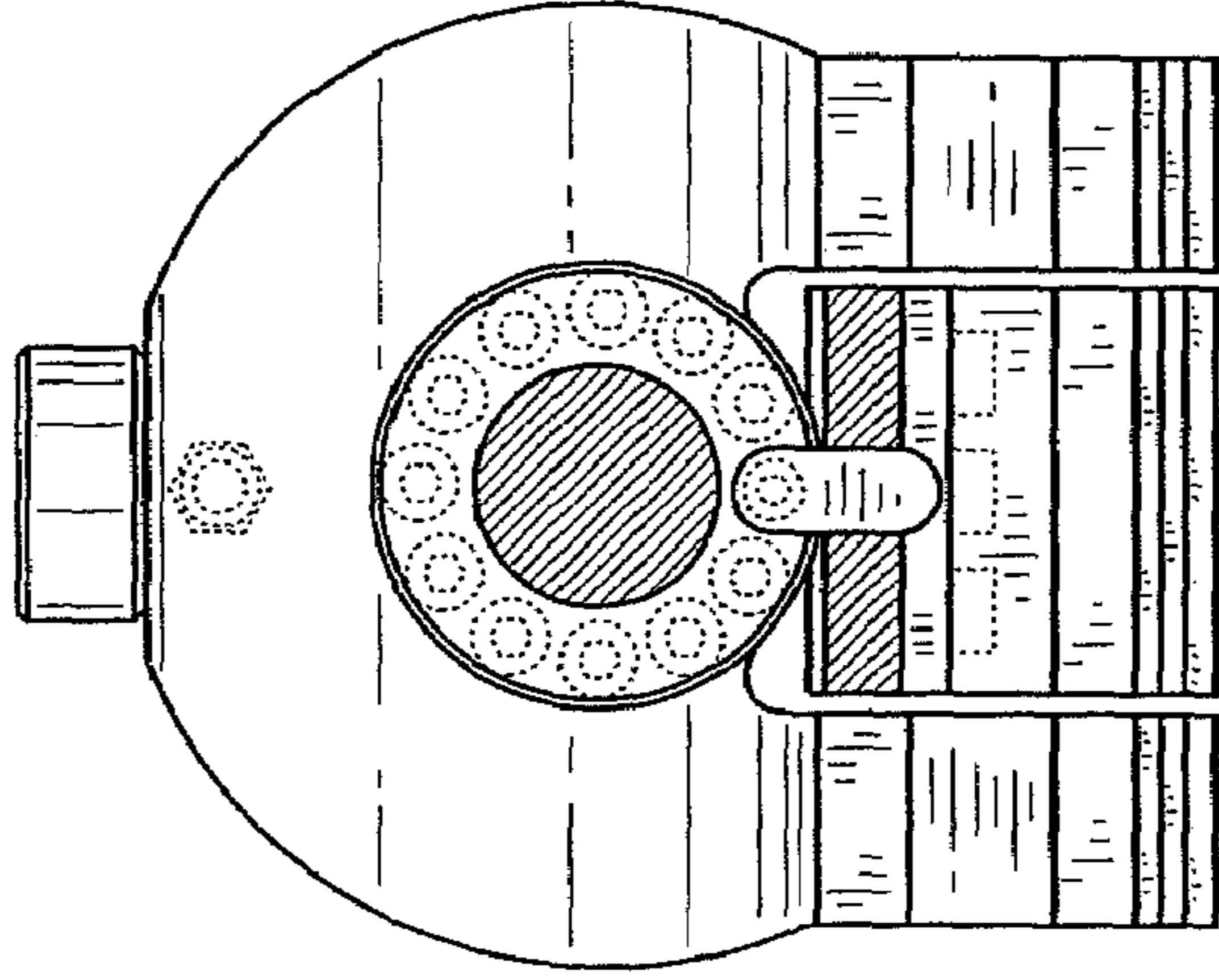
**FIG. 3**



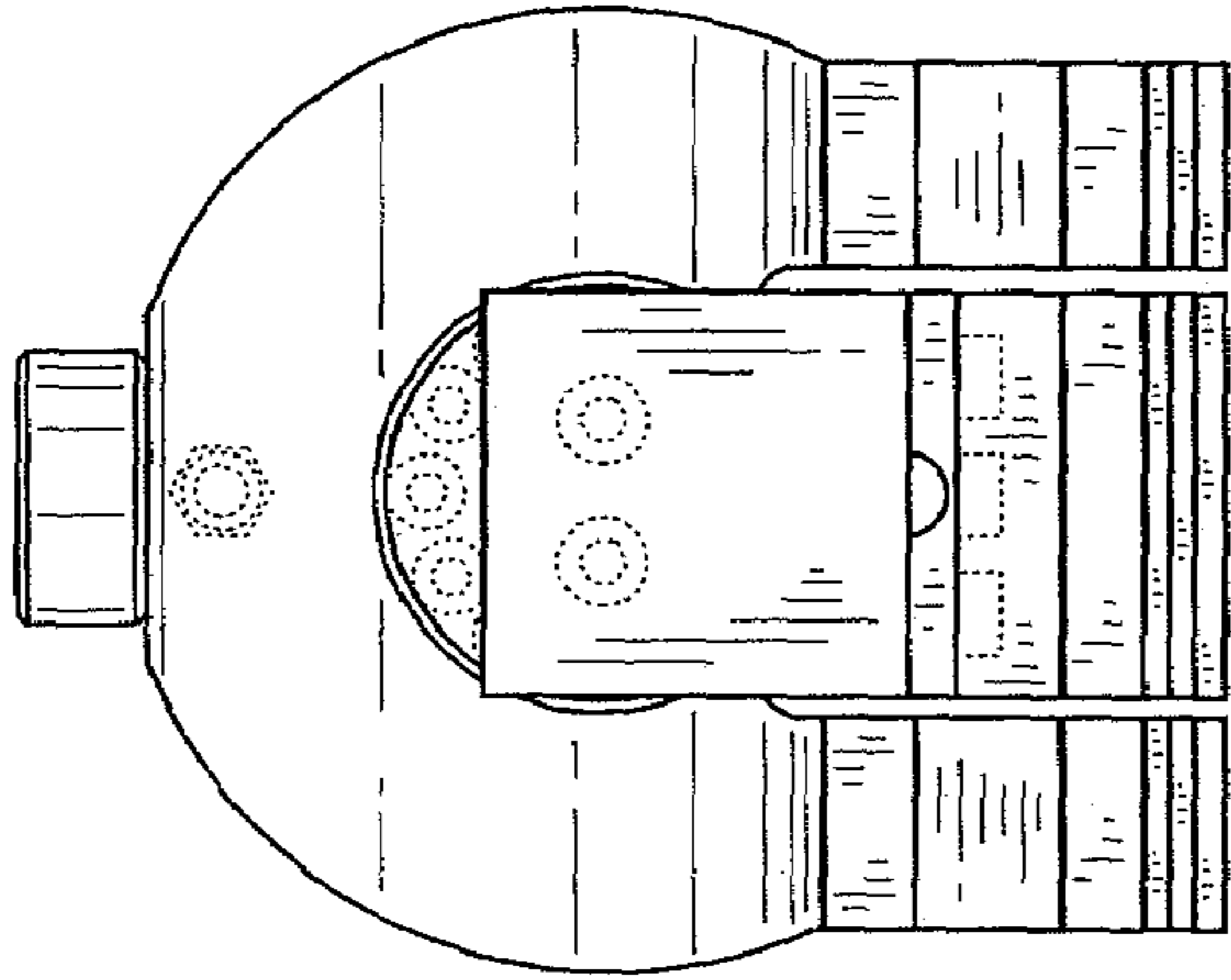
**FIG. 4**



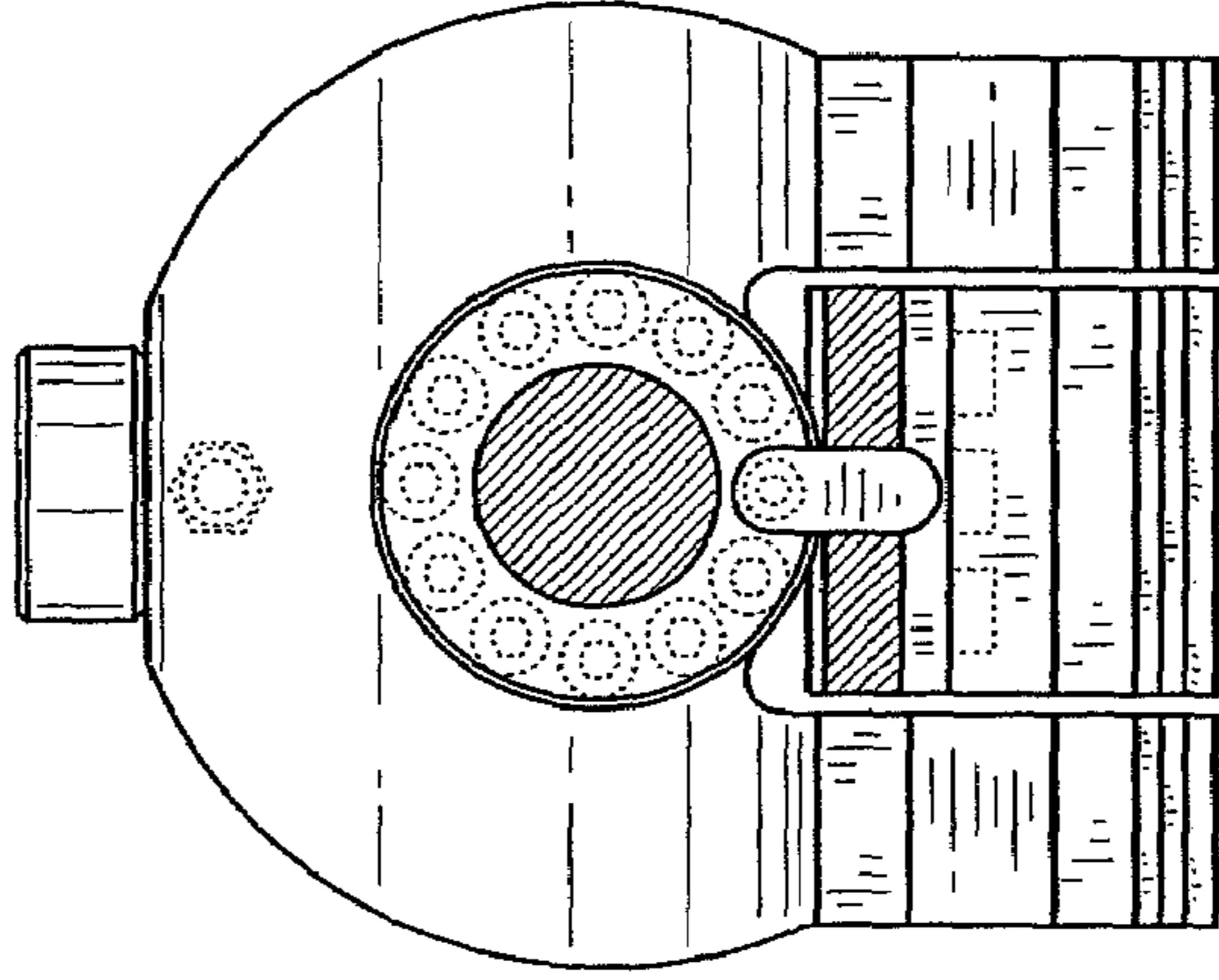
**FIG. 5**



**FIG. 6**



**FIG. 7**



**FIG. 8**

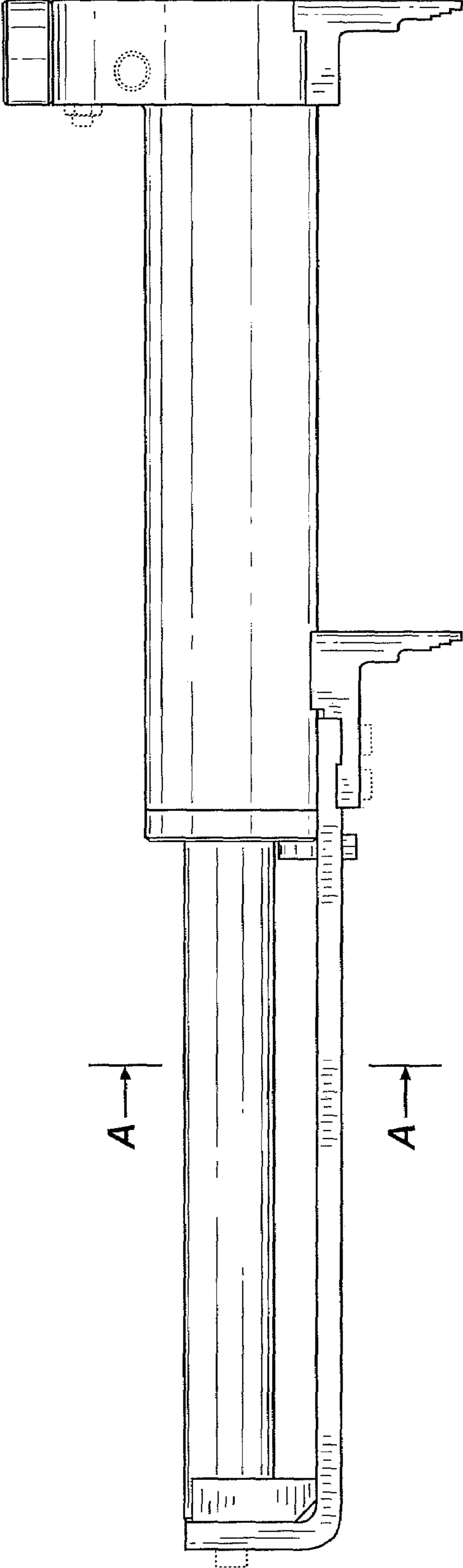
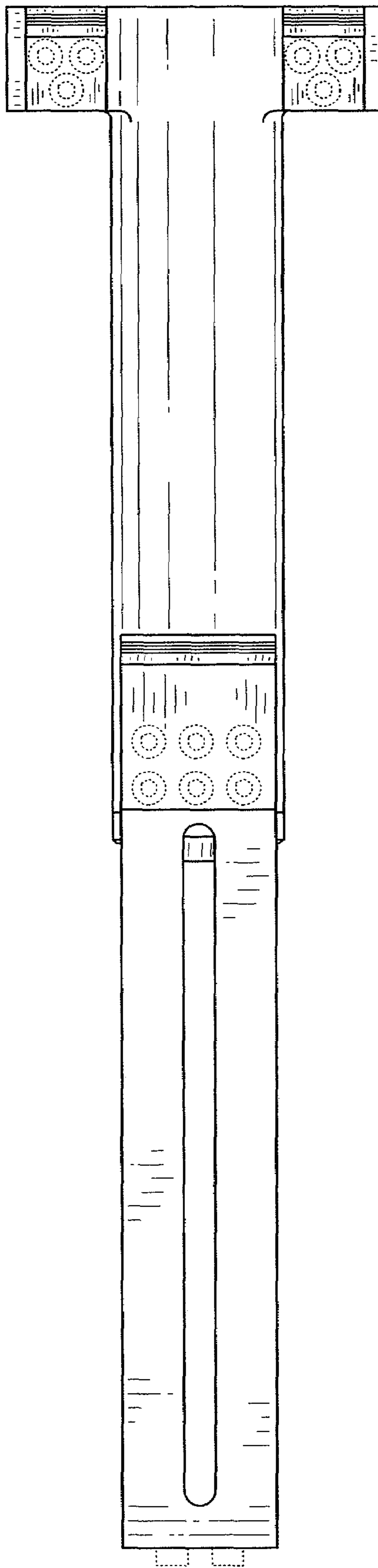
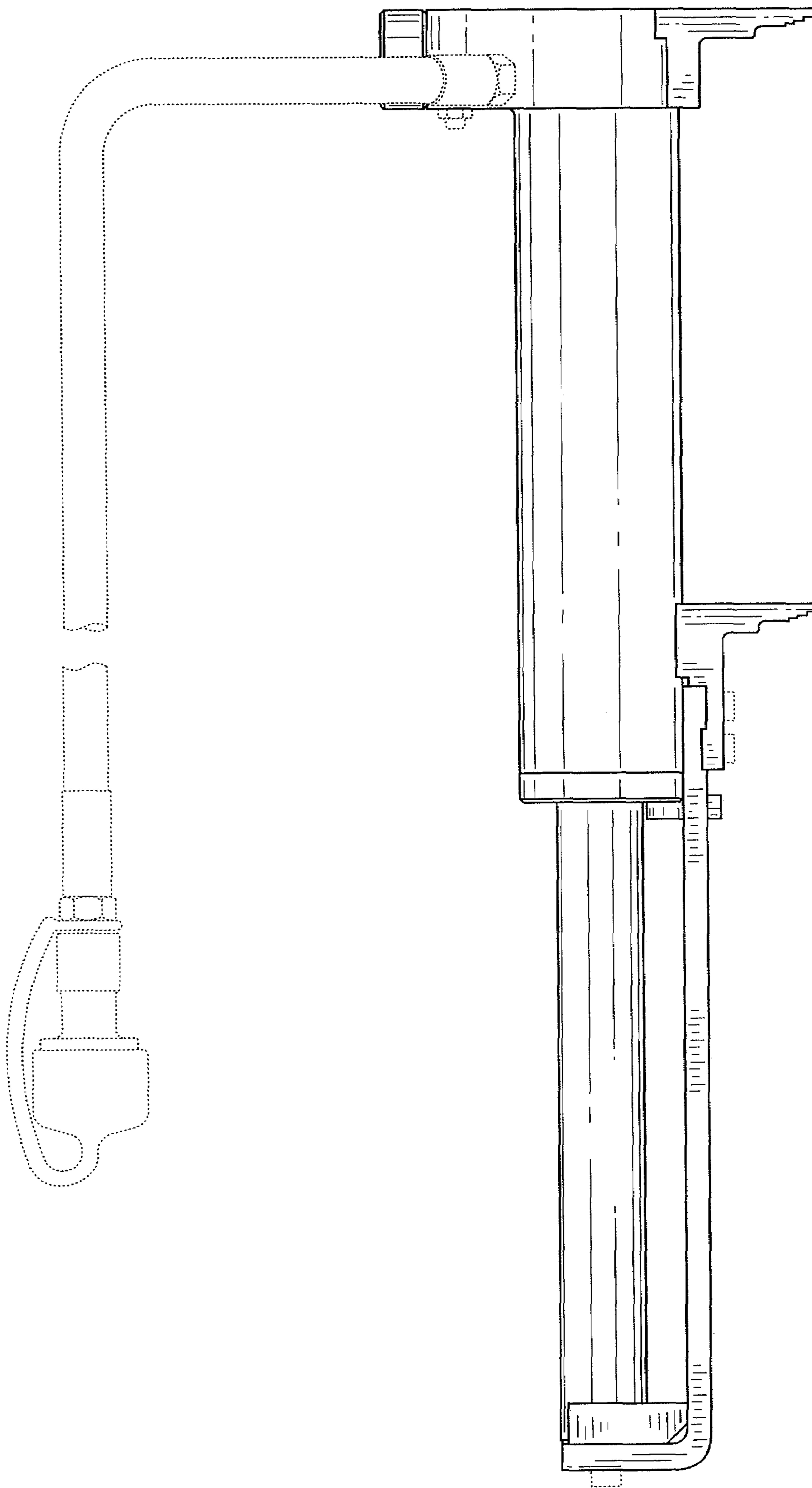


FIG. 9





**FIG. 10**



**FIG. 11**