

US00D595471S

(12) **United States Design Patent**
Novis

(10) **Patent No.:** **US D595,471 S**

(45) **Date of Patent:** **** Jun. 30, 2009**

(54) **LIFT**

(76) Inventor: **John P. Novis**, 1747 S. 1625 E.,
Gooding, ID (US) 83330

(**) Term: **14 Years**

(21) Appl. No.: **29/310,332**

(22) Filed: **Aug. 11, 2008**

(51) **LOC (9) Cl.** **12-05**

(52) **U.S. Cl.** **D34/28**

(58) **Field of Classification Search** D34/28,
D34/31, 33, 34; 414/539, 540, 541, 678,
414/921; 187/200, 18, 8.43; 254/9 C, 9 B,
254/122, 2 B, 90; 248/588, 421
See application file for complete search history.

(56) **References Cited**

U.S. PATENT DOCUMENTS

3,651,965	A *	3/1972	Simonelli et al.	414/540
4,984,955	A *	1/1991	McCullough	414/546
5,228,538	A *	7/1993	Tremblay	187/200
5,605,431	A *	2/1997	Saucier et al.	414/546
6,086,314	A *	7/2000	Savaria	414/546
D440,728	S *	4/2001	Schlangen	D34/28
6,379,102	B1 *	4/2002	Kameda	414/546
6,435,804	B1 *	8/2002	Hutchins	414/540

D472,690	S *	4/2003	Grover	D34/28
6,692,217	B1 *	2/2004	Pierrou	414/539
D551,420	S *	9/2007	Ezra	D34/32
2007/0183880	A1 *	8/2007	Fisher et al.	414/546

* cited by examiner

Primary Examiner—Cynthia E Ramirez

(74) *Attorney, Agent, or Firm*—Richard L. Mikesell

(57) **CLAIM**

The ornamental design for a lift, as shown and described.

DESCRIPTION

FIG. 1 is a top, left perspective view of a lift with the lifting platform up;

FIG. 2 is a top, left perspective view thereof with the lifting platform down;

FIG. 3 is a left view thereof with the lifting platform down;

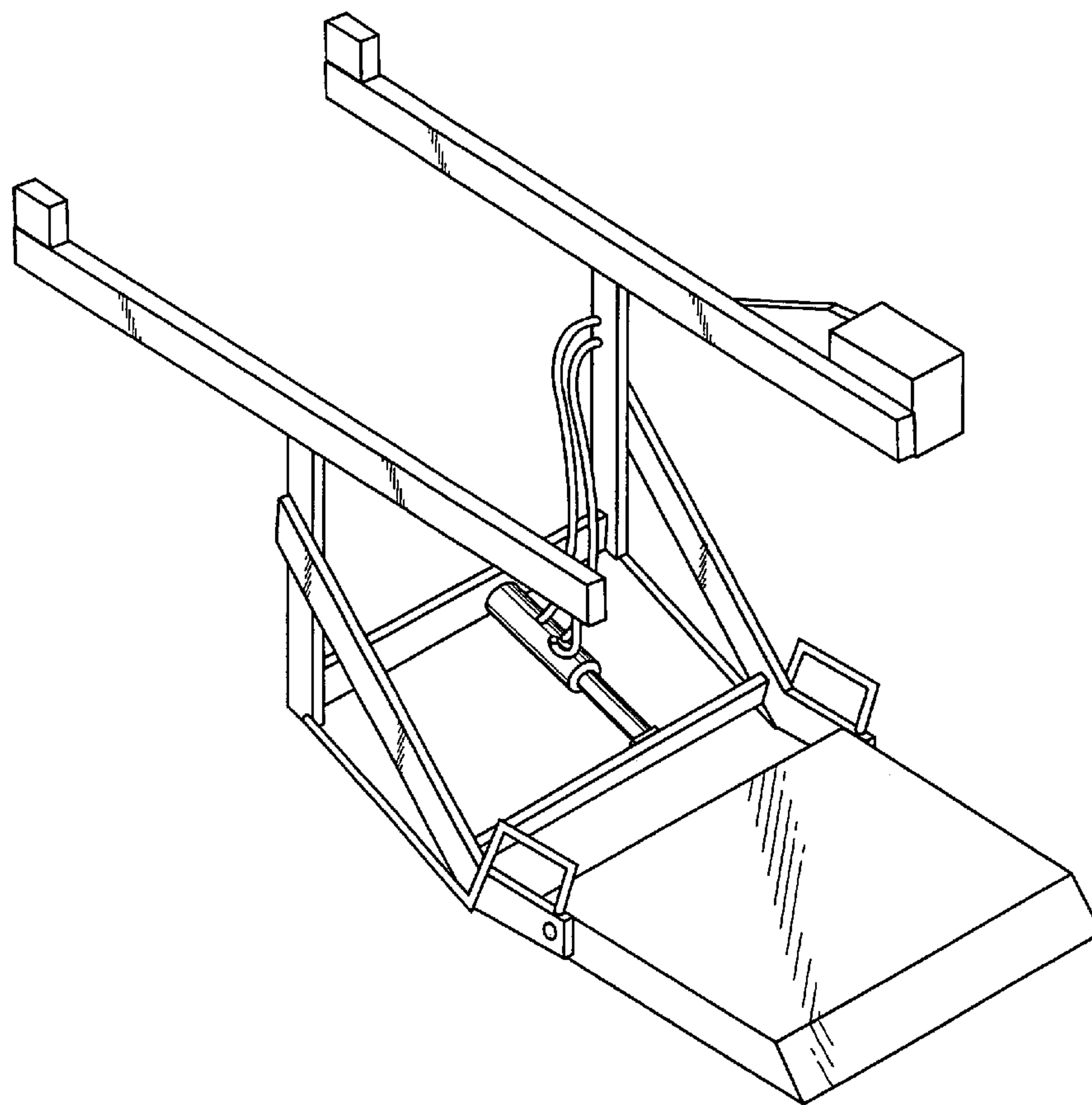
FIG. 4 is a left view thereof with the lifting platform partially up;

FIG. 5 is a front view thereof with the lifting platform up; and,

FIG. 6 is a front view thereof with the lifting platform down.

The bottom, right side and rear of the lift are not part of the claimed design.

1 Claim, 4 Drawing Sheets



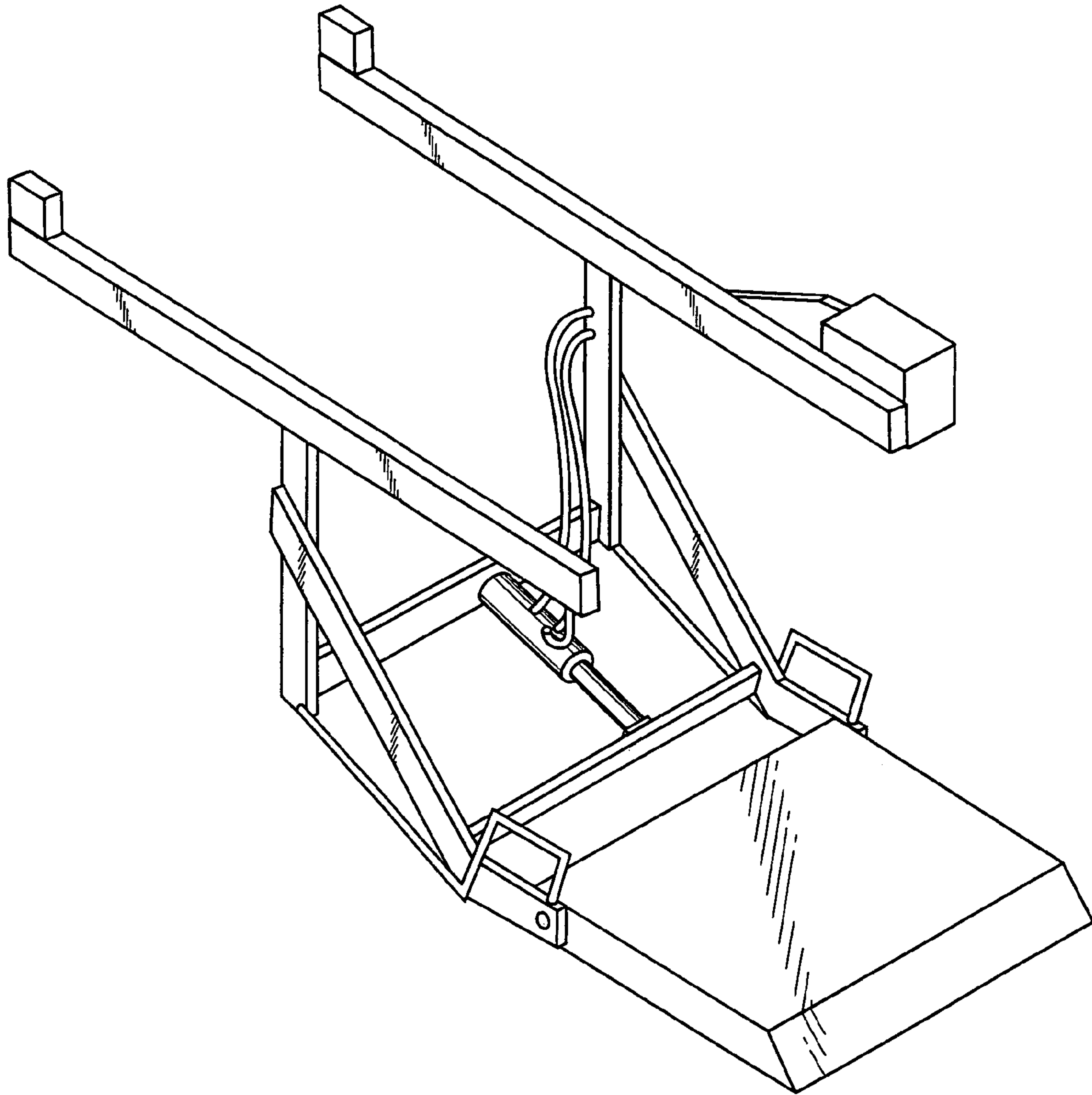


Fig. 1

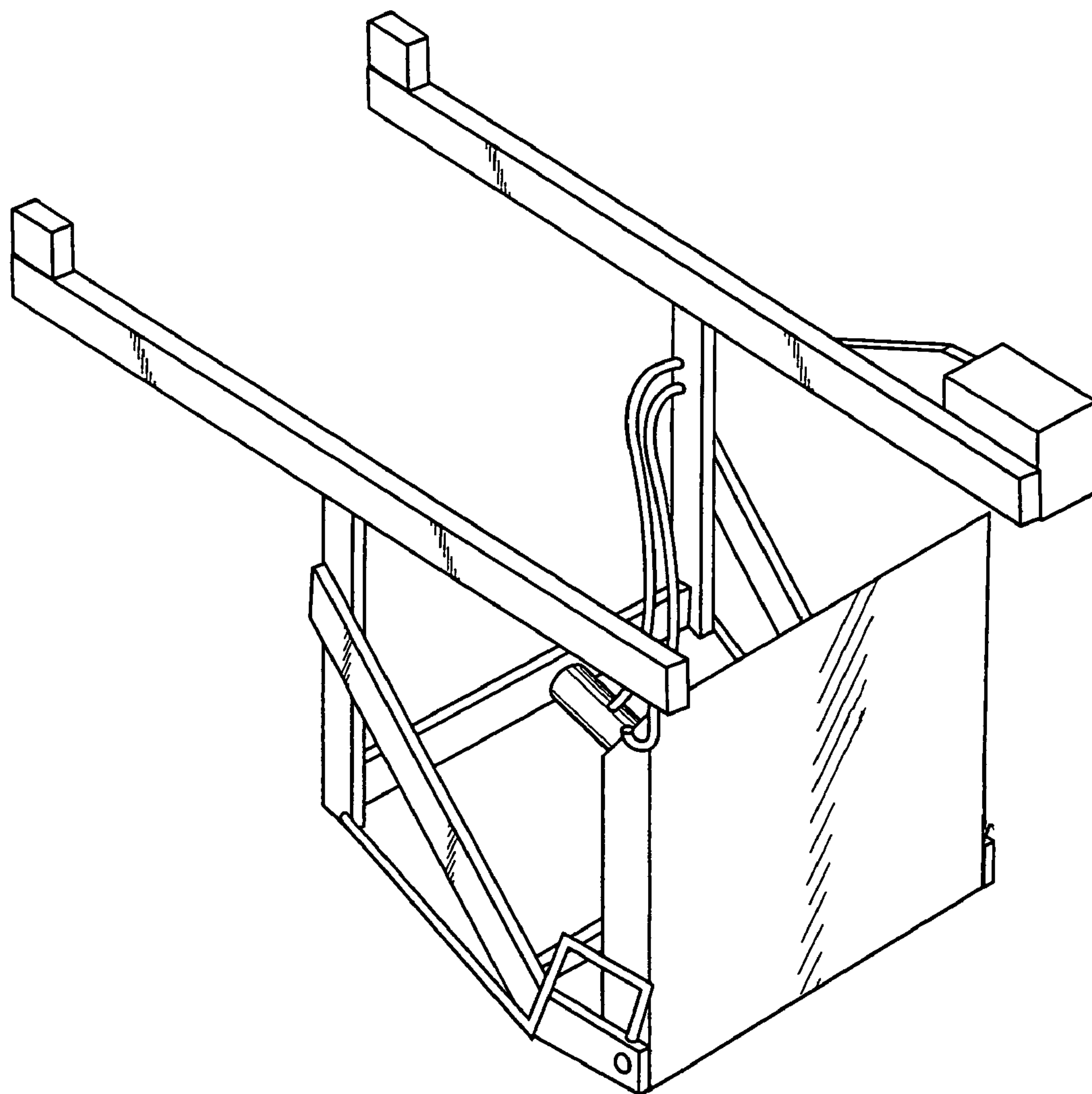


Fig. 2

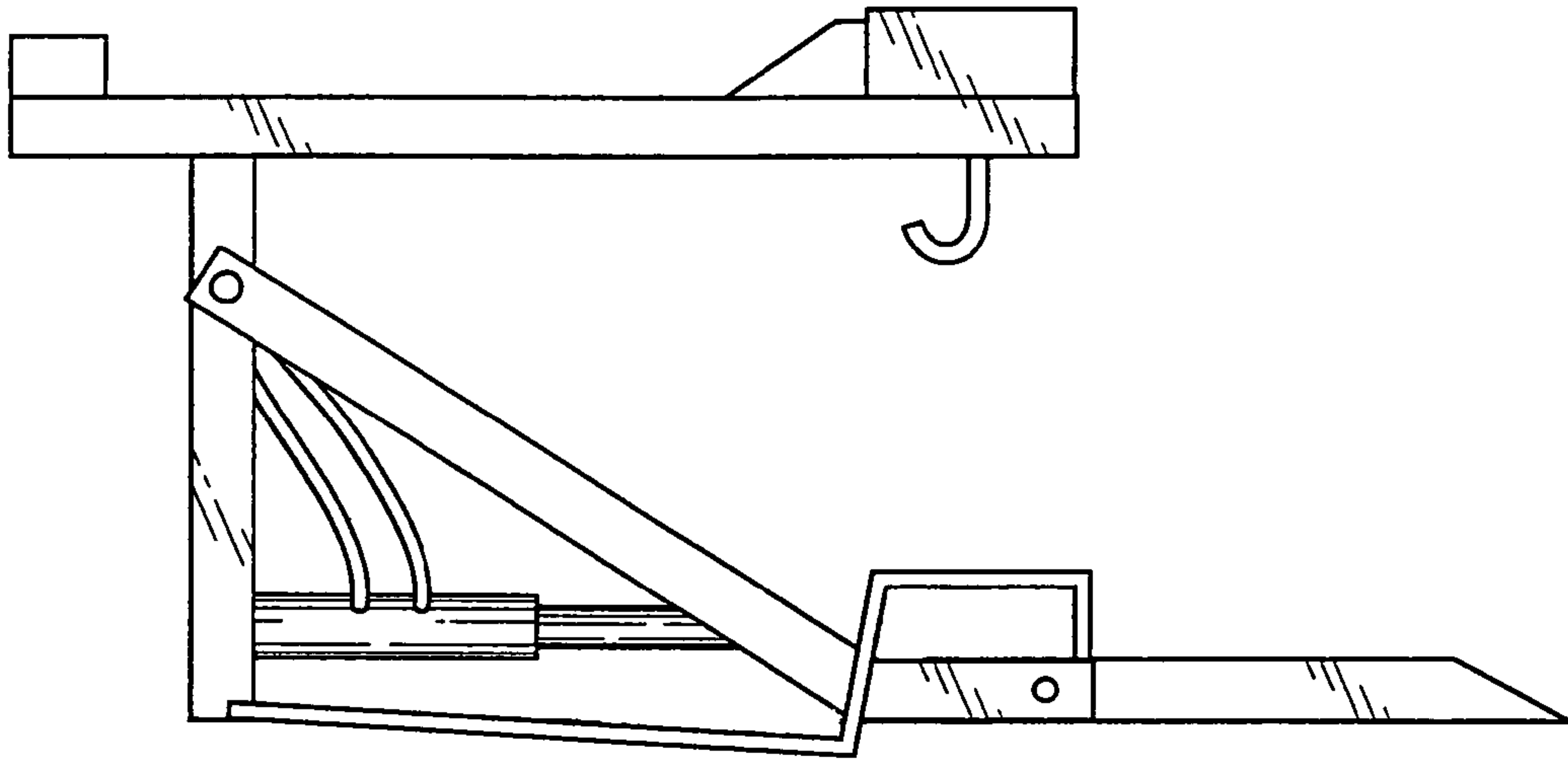


Fig. 3

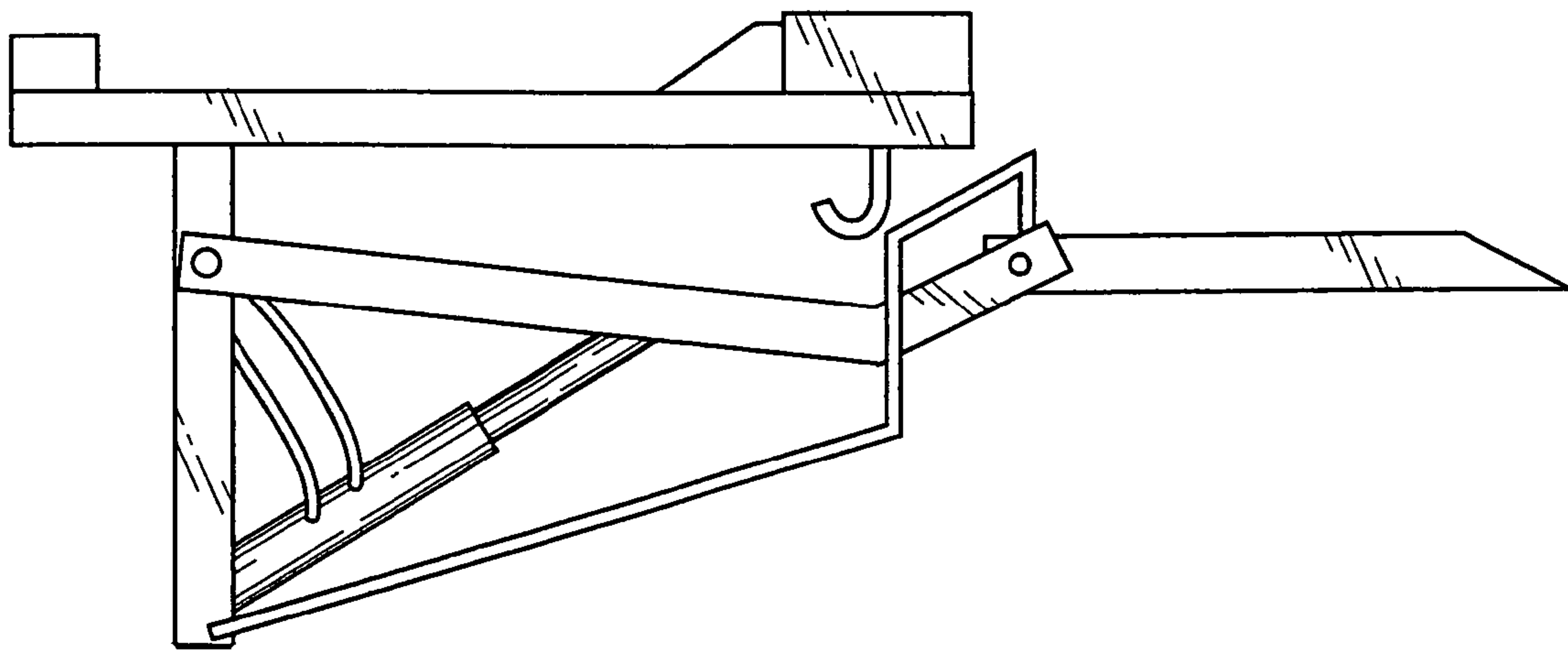


Fig. 4

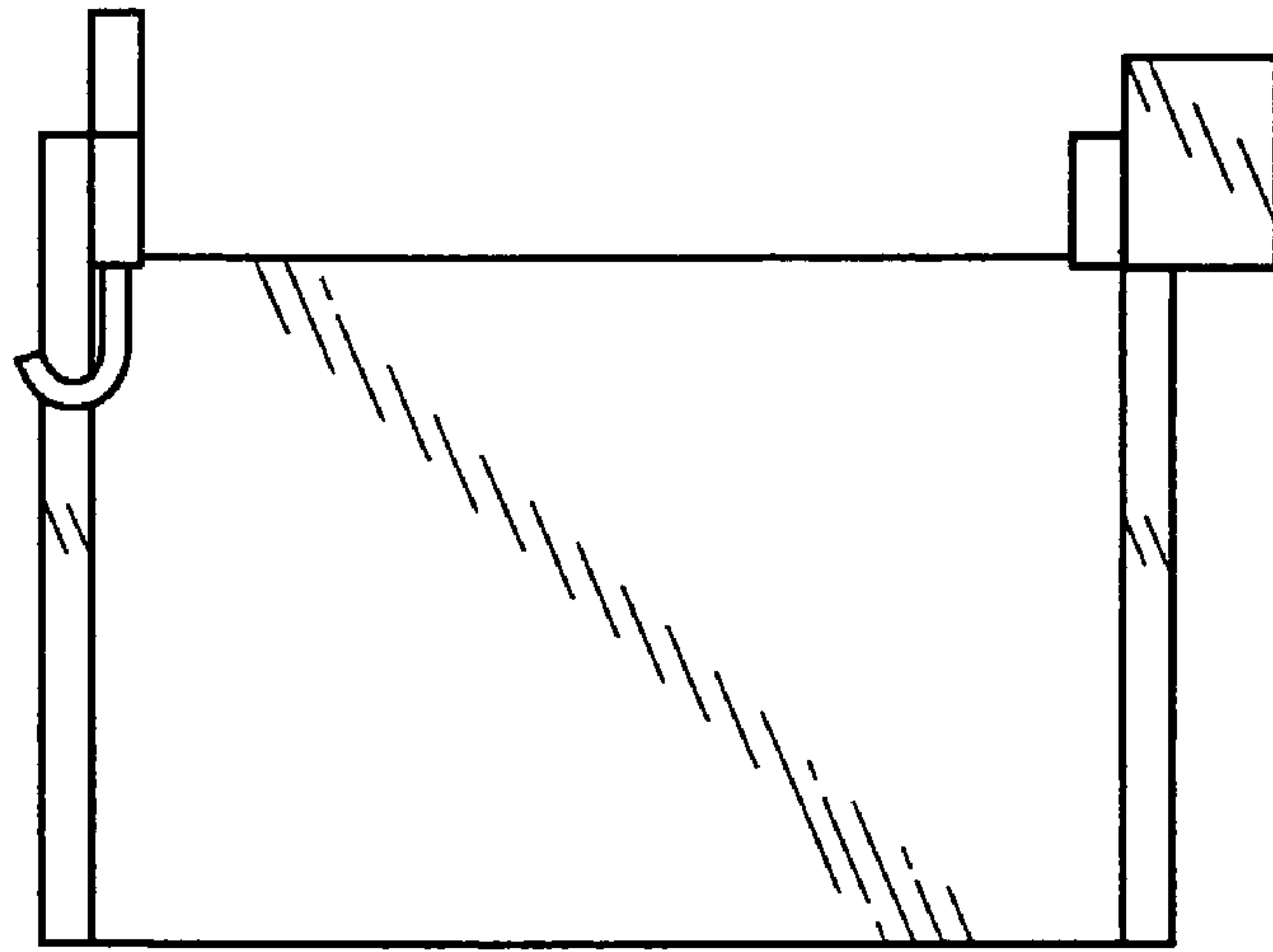


Fig. 5

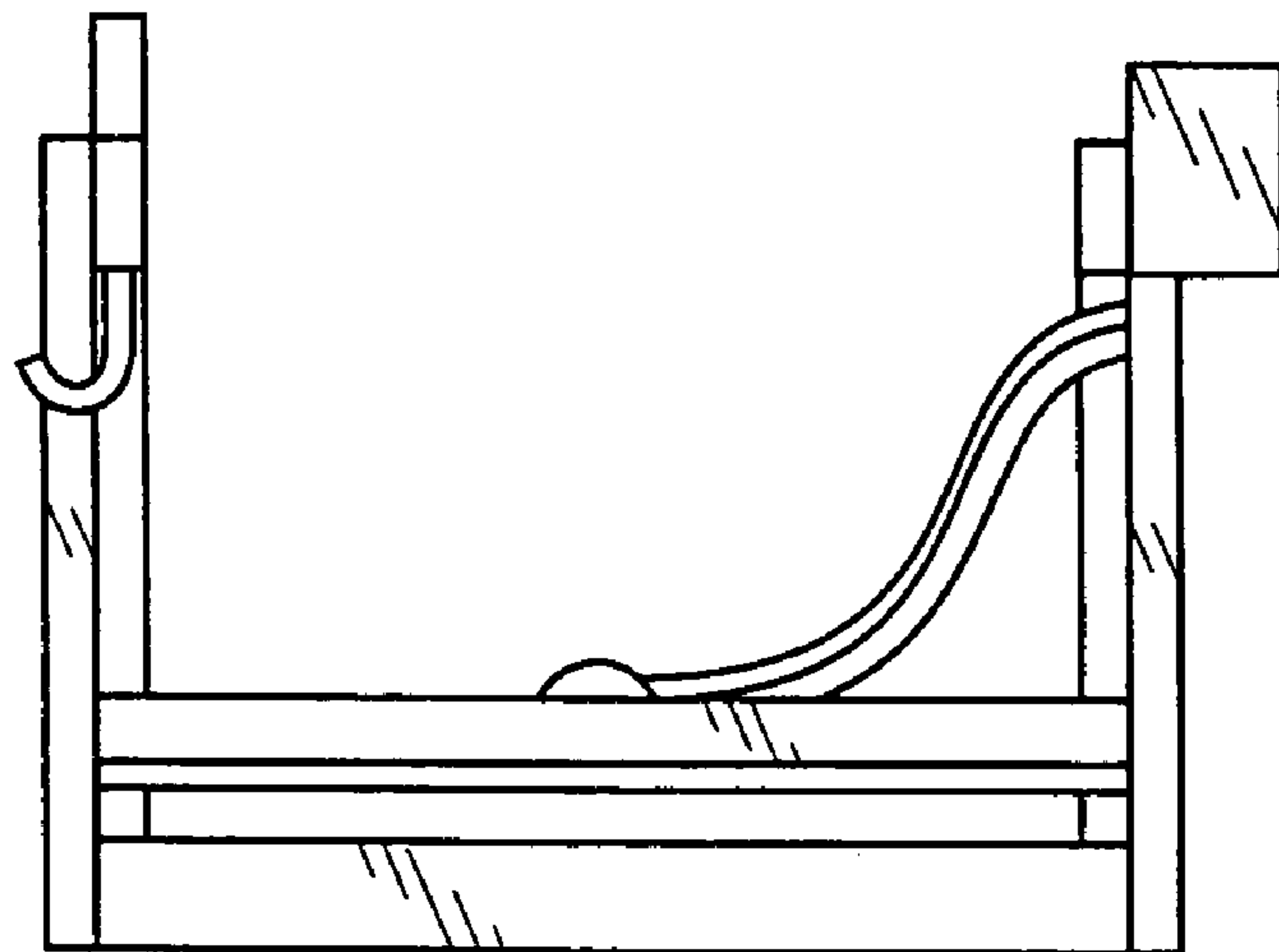


Fig. 6