



US00D595470S

(12) **United States Design Patent**
Albert et al.

(10) **Patent No.:** **US D595,470 S**
(45) **Date of Patent:** **** Jun. 30, 2009**

(54) **HANDLE FOR A WHEELBARROW**

(75) Inventors: **Barry R. Albert**, Dillsburg, PA (US);
Eric D. Hyp, Harrisburg, PA (US)

(73) Assignee: **Ames True Temper, Inc.**, Camp Hill, PA (US)

(**) Term: **14 Years**

(21) Appl. No.: **29/306,827**

(22) Filed: **Apr. 17, 2008**

(51) **LOC (9) Cl.** **12-02**

(52) **U.S. Cl.** **D34/27**

(58) **Field of Classification Search** D34/12-27;
280/47.26, 47.33, 47.371, 47.27, 47.29, 47.31
See application file for complete search history.

(56) **References Cited**

U.S. PATENT DOCUMENTS

3,024,547	A *	3/1962	Harrison	37/403
3,321,213	A *	5/1967	Shoffner	280/47.34
3,418,005	A *	12/1968	Allina	280/47.26
4,621,589	A *	11/1986	Thinnes	119/770
4,738,457	A *	4/1988	Conrad	280/47.26
D363,590	S *	10/1995	Kazmerchek et al.	D34/21

D520,209	S *	5/2006	Duchene	D34/27
D544,173	S *	6/2007	Mullen et al.	D34/16
D574,121	S *	7/2008	Song et al.	D34/16
2007/0158922	A1 *	7/2007	Mullen et al.	280/47.31

* cited by examiner

Primary Examiner—Cynthia E Ramirez

(74) *Attorney, Agent, or Firm*—Eckert Seamans Cherin & Mellott, LLC; David C. Jenkins, Esq.

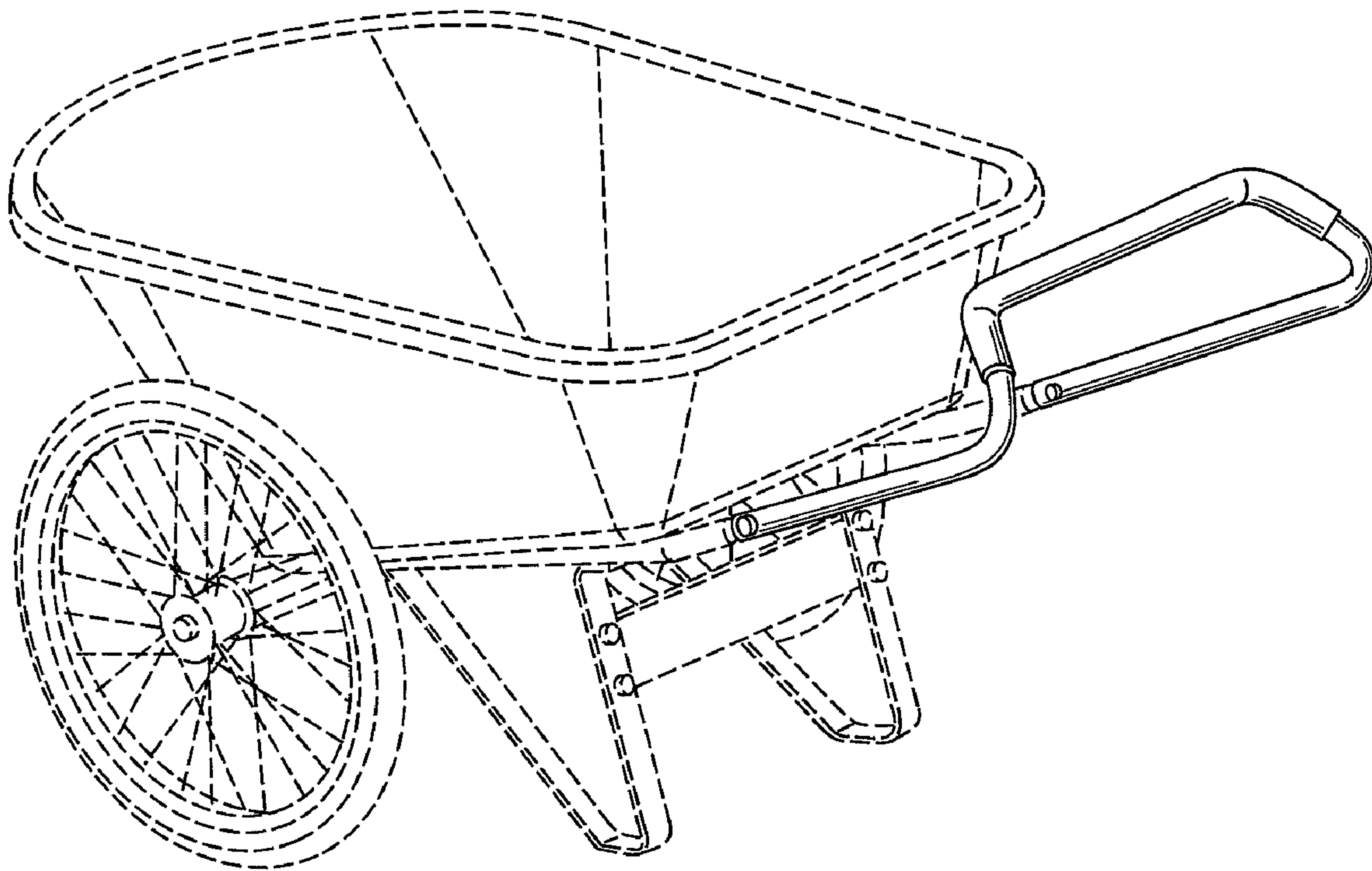
(57) **CLAIM**

The ornamental design for a handle for a wheelbarrow, as shown and described.

DESCRIPTION

FIG. 1 is an isometric view of a handle for a wheelbarrow.
FIG. 2 is a front view of a handle for a wheelbarrow.
FIG. 3 is a back view of a handle for a wheelbarrow.
FIG. 4 is a top view of a handle for a wheelbarrow.
FIG. 5 is a bottom view of a handle for a wheelbarrow.
FIG. 6 is a right side view of a handle for a wheelbarrow; and,
FIG. 7 is a left side view of a handle for a wheelbarrow.

1 Claim, 4 Drawing Sheets



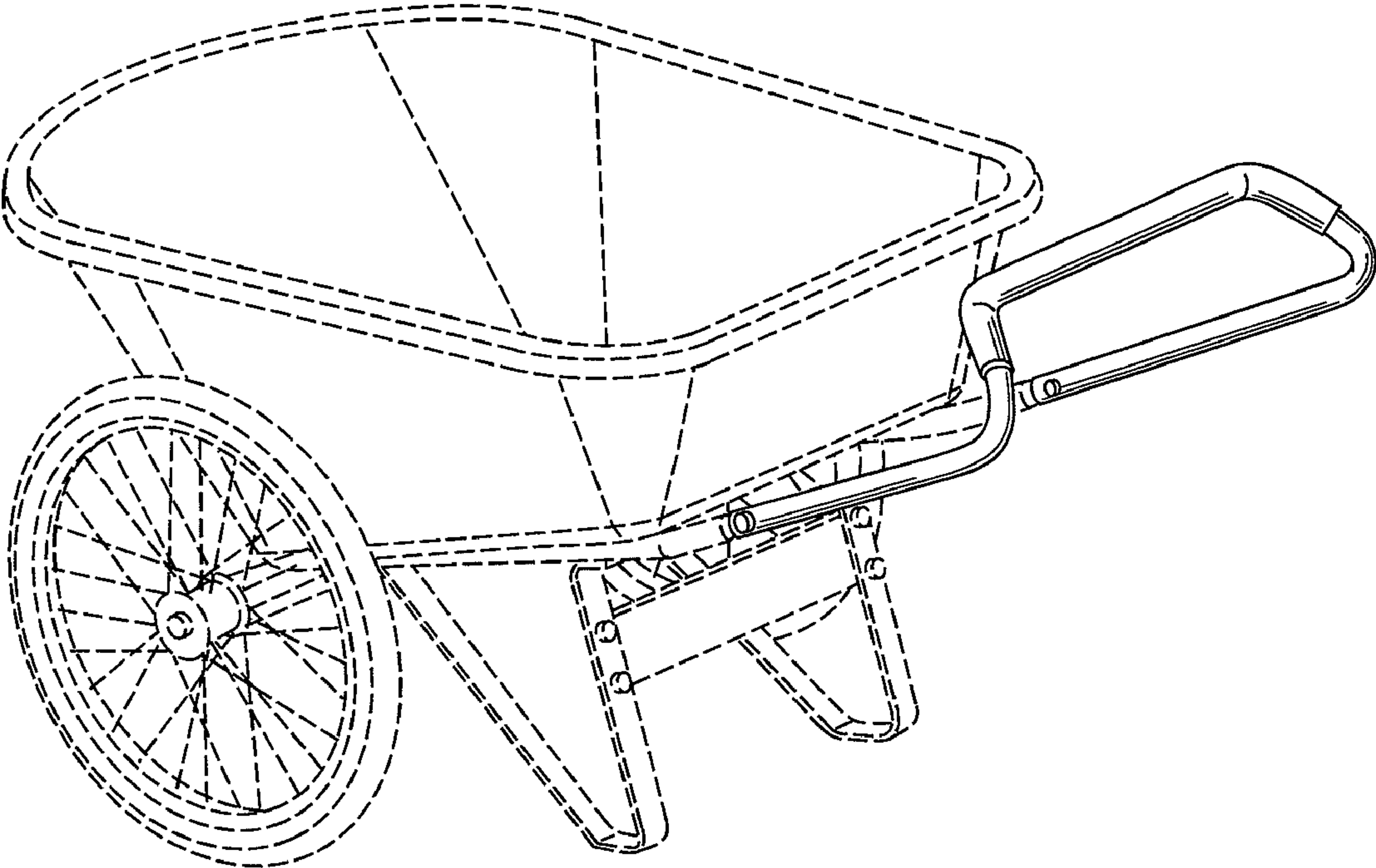


FIG. 1

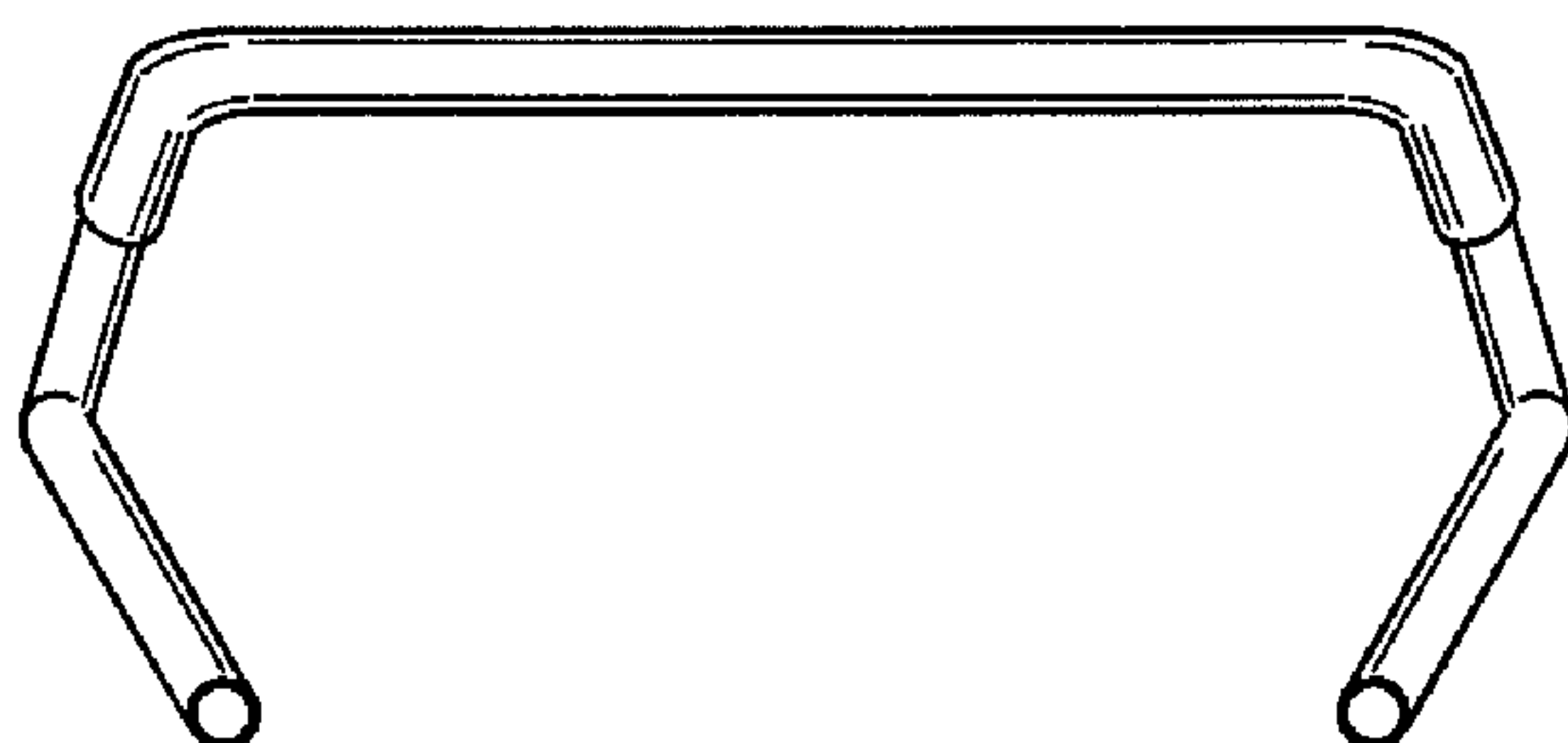


FIG. 2

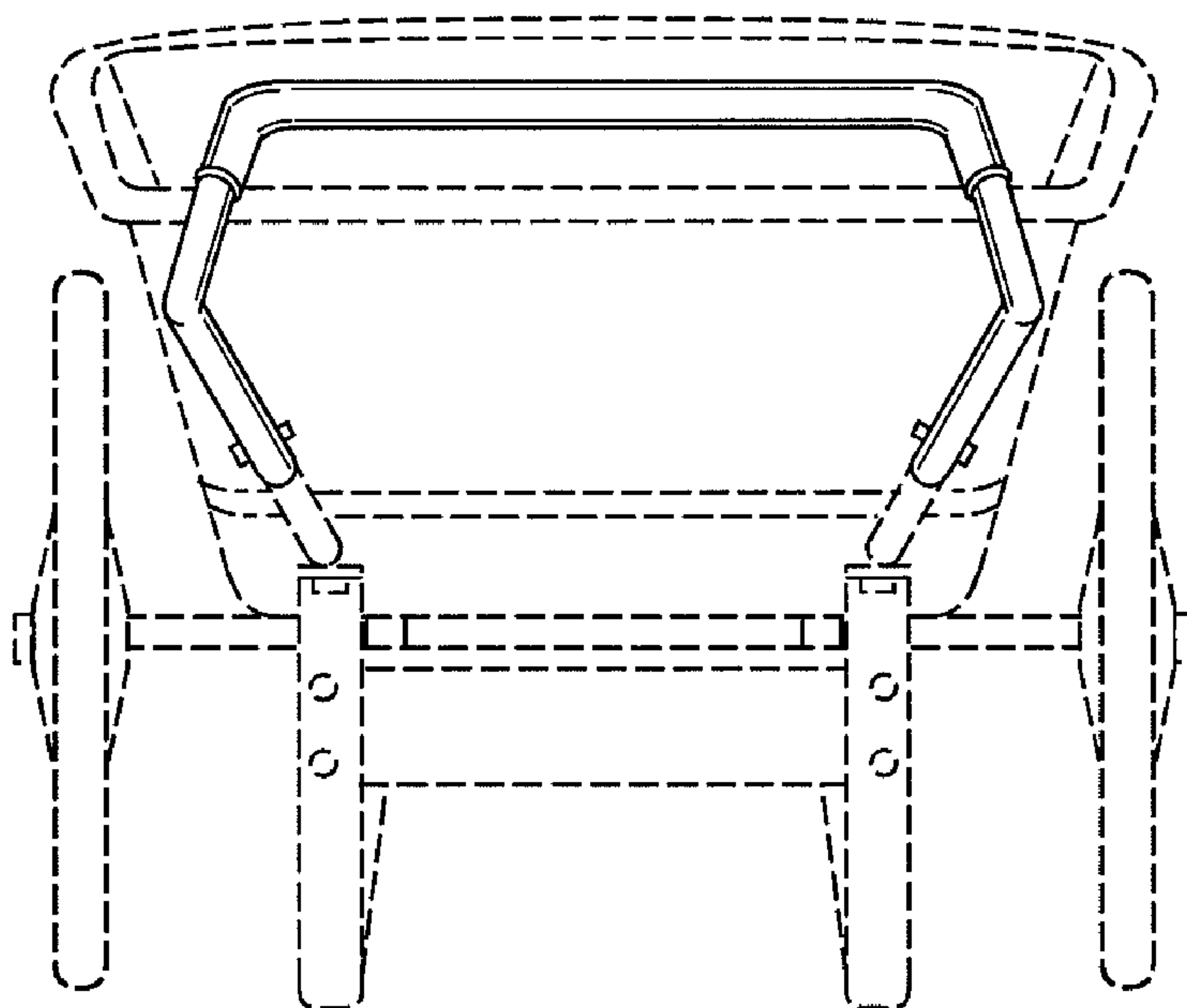


FIG. 3

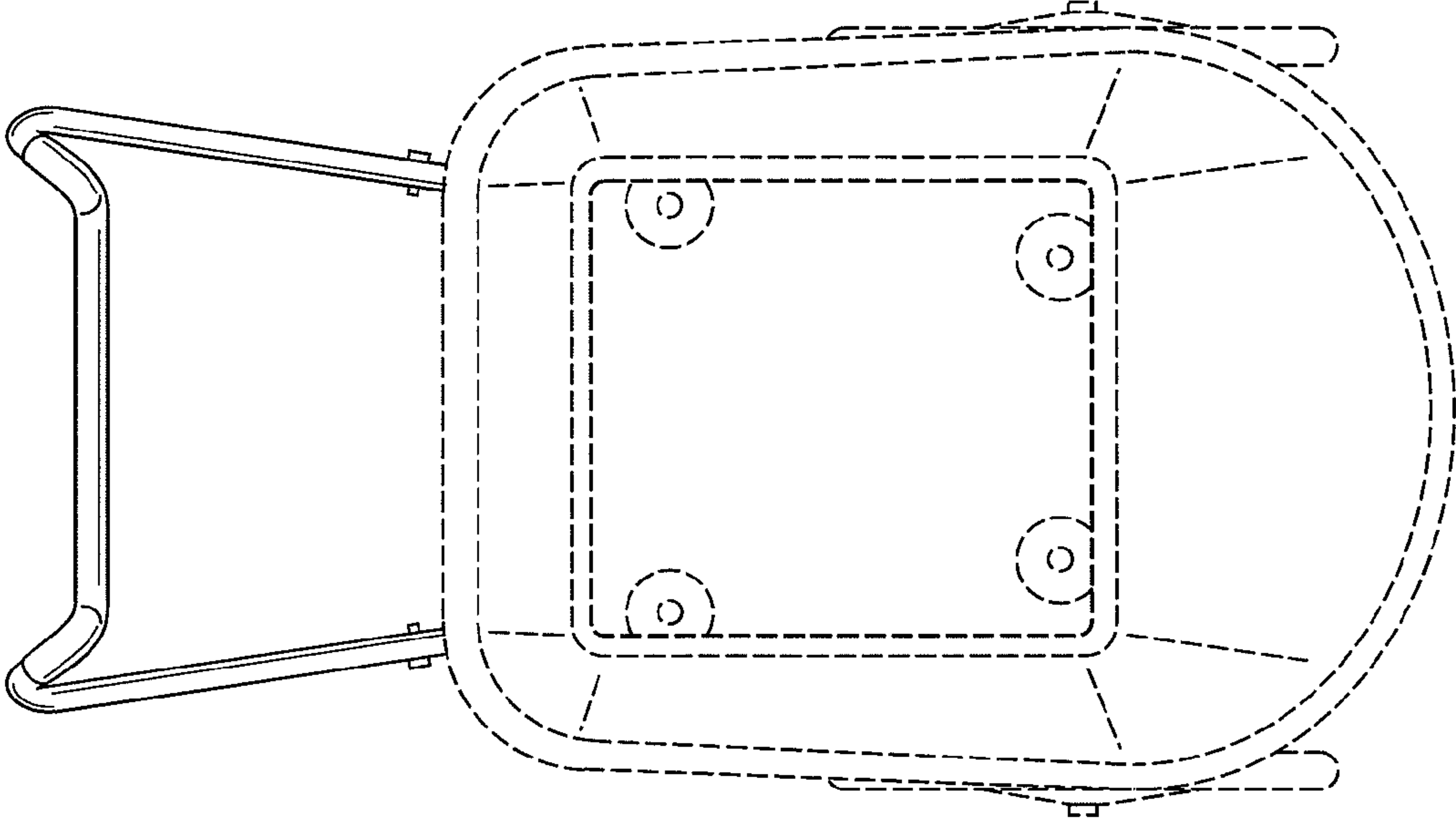


FIG. 4

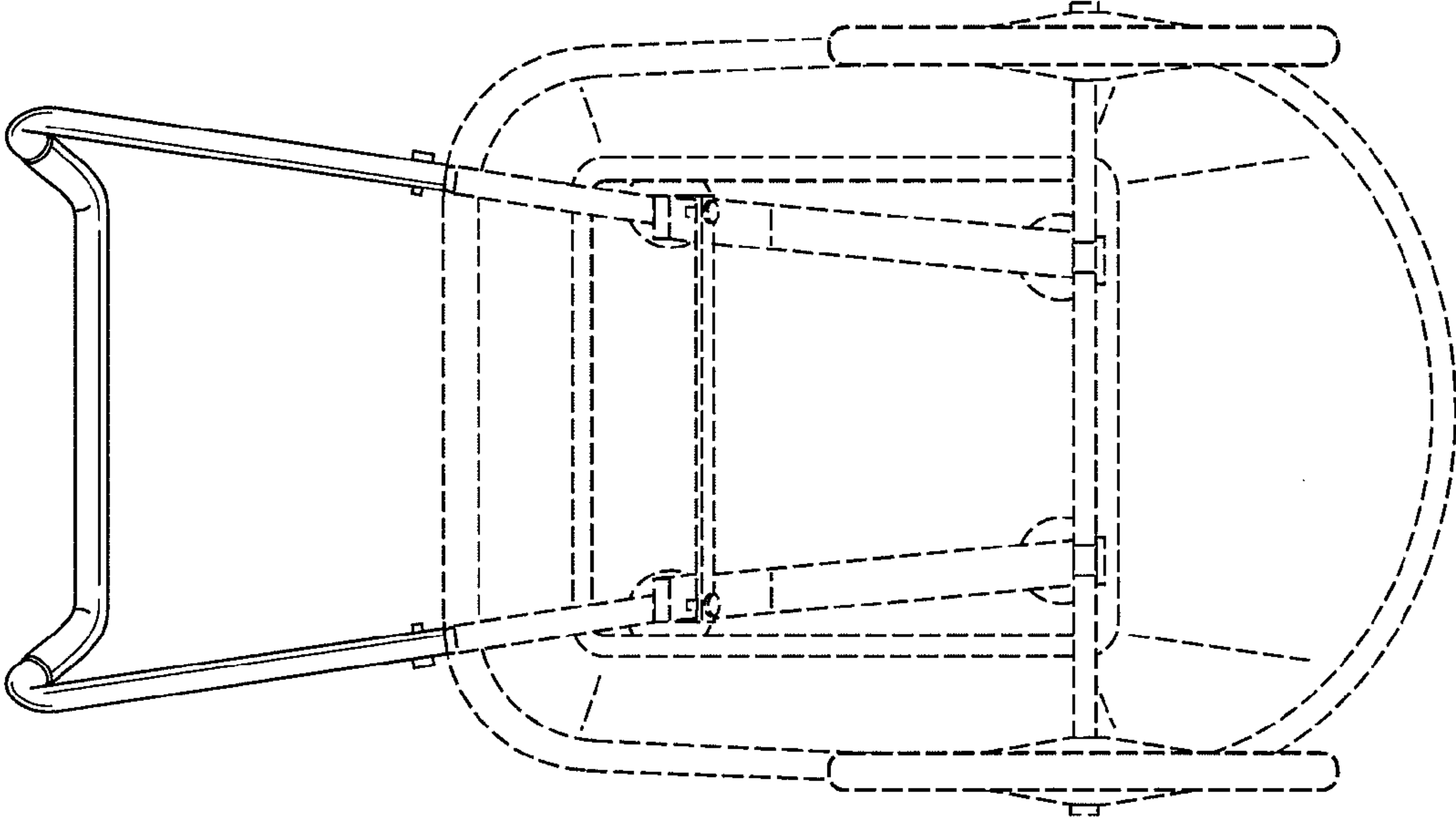


FIG. 5

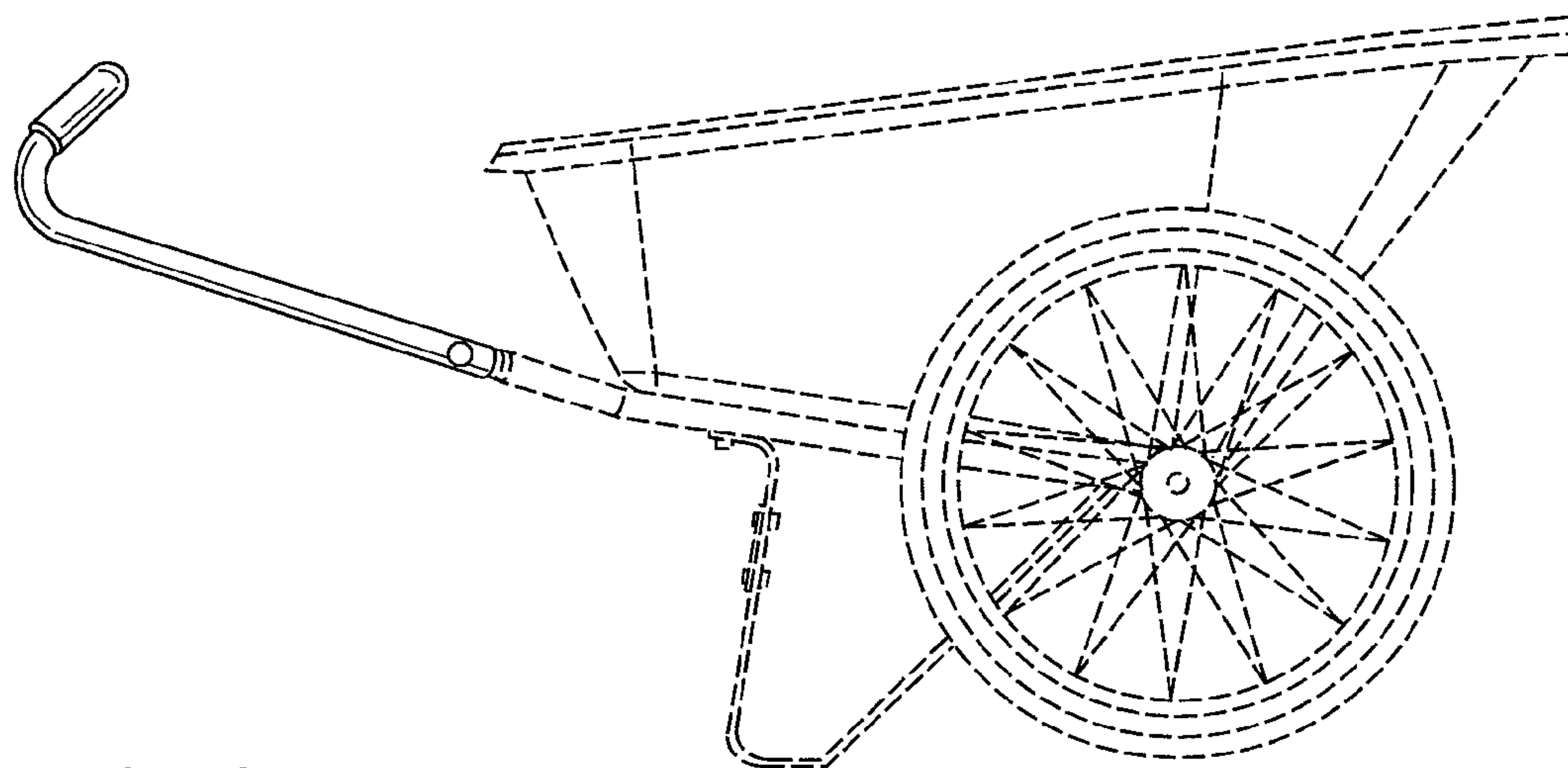


FIG. 6

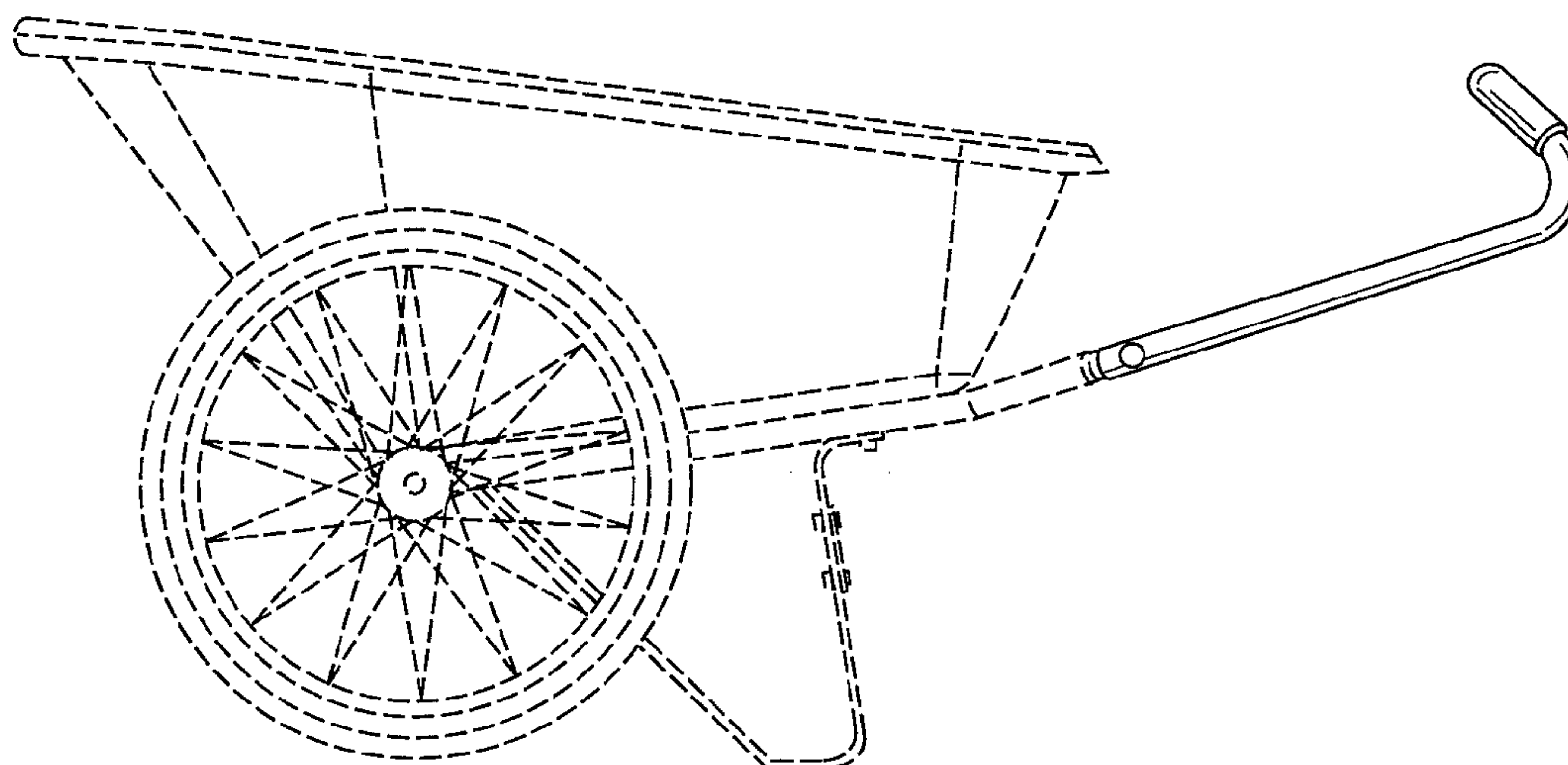


FIG. 7